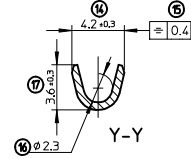
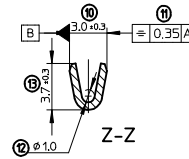
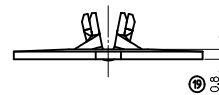
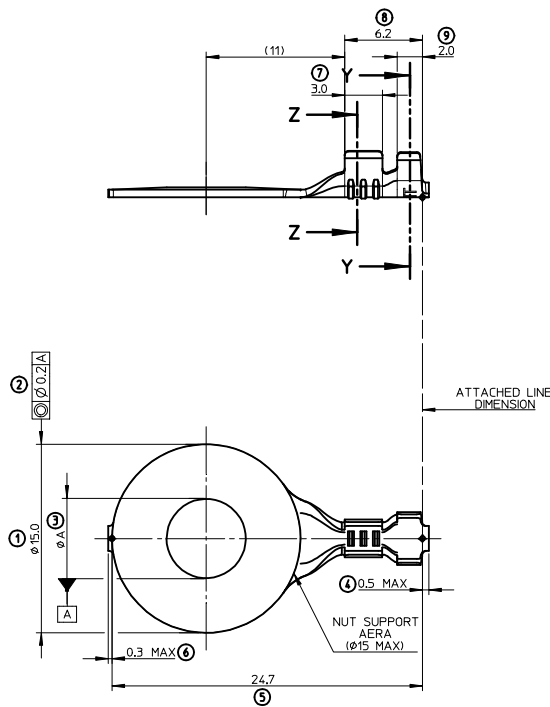
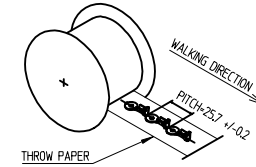


SECTIONS



PACKAGING

STANDARD REEL  
PARTS PER REEL : 5500



MARKING :

1 - ENGINEERING CONTROL ID

NOTES :

- 1 - MATERIAL : BRASS THICKNESS 0.6 MM (8)
- 2 - PLATING : PRE-TIN PLATED
- 3 - CRIMPING RANGE (mm2) : 0.35 TO 1
- 4 - PACKAGING : PARTS DELIVERED ON STRIP (SEE VIEW)

PART SHOWN : 0988601024

PART NUMBER	ØA ±0.1
0988601024	6.4
0988601034	8.4

INSPECTION BALLOON NUMBER LOG

PER DRAWING REVISION : B  
LAST BALLOON NUMBER USED : 18  
ADDED BALLOON NUMBERS : 19  
REMOVED BALLOON NUMBERS : NONE

B REDRAW P/N 0988601024/1034 WITH CINCH STATUS \_ VOID P/N 0988601124 ADD DIM#19 : 0.8 ±0.2  
A FIRST RELEASE

REVISED / REDRAW	REV	DESCRIPTION	QUALITY SYMBOLS	GENERAL TOLERANCES (UNLESS SPECIFIED)		DIMENSION STYLE		SCALE	DESIGN UNITS	FIRST ANGLE PROJECTION
				mm	INCH	MM ONLY	DATE			
1	0	2017/07/04	▽=0	±---	±---	MM ONLY	DATE	5:1	METRIC	FIRST ANGLE PROJECTION
2	0	2017/07/04	▽=0	±---	±---	MM ONLY	DATE	5:1	METRIC	FIRST ANGLE PROJECTION
3	0	2017/07/04	▽=0	±---	±---	MM ONLY	DATE	5:1	METRIC	FIRST ANGLE PROJECTION
4	0	2017/07/04	▽=0	±---	±---	MM ONLY	DATE	5:1	METRIC	FIRST ANGLE PROJECTION
5	0	2017/07/04	▽=0	±---	±---	MM ONLY	DATE	5:1	METRIC	FIRST ANGLE PROJECTION
6	0	2017/07/04	▽=0	±---	±---	MM ONLY	DATE	5:1	METRIC	FIRST ANGLE PROJECTION
7	0	2017/07/04	▽=0	±---	±---	MM ONLY	DATE	5:1	METRIC	FIRST ANGLE PROJECTION
8	0	2017/07/04	▽=0	±---	±---	MM ONLY	DATE	5:1	METRIC	FIRST ANGLE PROJECTION
9	0	2017/07/04	▽=0	±---	±---	MM ONLY	DATE	5:1	METRIC	FIRST ANGLE PROJECTION
10	0	2017/07/04	▽=0	±---	±---	MM ONLY	DATE	5:1	METRIC	FIRST ANGLE PROJECTION
11	0	2017/07/04	▽=0	±---	±---	MM ONLY	DATE	5:1	METRIC	FIRST ANGLE PROJECTION
12	0	2017/07/04	▽=0	±---	±---	MM ONLY	DATE	5:1	METRIC	FIRST ANGLE PROJECTION
13	0	2017/07/04	▽=0	±---	±---	MM ONLY	DATE	5:1	METRIC	FIRST ANGLE PROJECTION
14	0	2017/07/04	▽=0	±---	±---	MM ONLY	DATE	5:1	METRIC	FIRST ANGLE PROJECTION
15	0	2017/07/04	▽=0	±---	±---	MM ONLY	DATE	5:1	METRIC	FIRST ANGLE PROJECTION
16	0	2017/07/04	▽=0	±---	±---	MM ONLY	DATE	5:1	METRIC	FIRST ANGLE PROJECTION
17	0	2017/07/04	▽=0	±---	±---	MM ONLY	DATE	5:1	METRIC	FIRST ANGLE PROJECTION
18	0	2017/07/04	▽=0	±---	±---	MM ONLY	DATE	5:1	METRIC	FIRST ANGLE PROJECTION
19	0	2017/07/04	▽=0	±---	±---	MM ONLY	DATE	5:1	METRIC	FIRST ANGLE PROJECTION
20	0	2017/07/04	▽=0	±---	±---	MM ONLY	DATE	5:1	METRIC	FIRST ANGLE PROJECTION

RING TERMINAL  
6-8X15X0.6 0.35-1

molex

DOCUMENT NO. SD-98860-003

SHEET NO. 1 OF 1

THIS DRAWING CONTAINS INFORMATION THAT IS PROPRIETARY TO MOLEX INCORPORATED AND SHOULD NOT BE USED WITHOUT WRITTEN PERMISSION