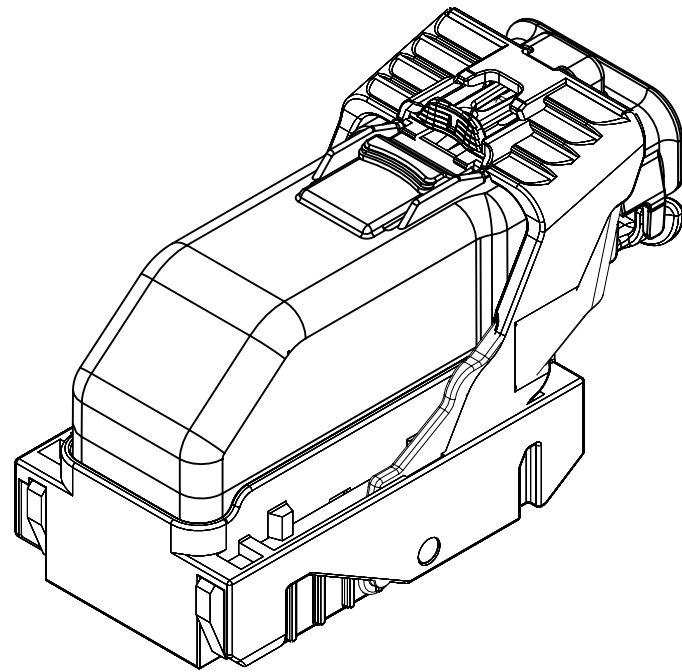

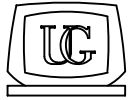


INDEX	
PAGE TITLE	PAGE
TITLE BLOCK	1
REVISION BLOCK	2
PART BLOCK	3
KPC BLOCK	4
COMPONENT TABLE	5
NOTES	6
NOTES	7
WIRE DRESS PACKAGING DIMENSIONS	8
LOCATION AND PACKAGING DIMENSIONS REFERENCING INTERFACE DATUMS B & C	9
LOCATION AND PACKAGING DIMENSIONS REFERENCING INTERFACE DATUM A	10
KEY ID REF - WIRE DRESS OPTION 0	11
KEY ID REF - WIRE DRESS OPTION 9	12
CIRCUIT CONFIGURATIONS	13
CIRCUIT CONFIGURATIONS	14
COMPONENT CONNECTOR INTERFACE	15
COMPONENT CONNECTOR INTERFACE	16
COMPONENT CONNECTOR INTERFACE	17
COMPONENT CONNECTOR INTERFACE	18
COMPONENT CONNECTOR INTERFACE	19
COMPONENT CONNECTOR INTERFACE	20
COMPONENT CONNECTOR INTERFACE	21




ISO VIEW

	<p>UNLESS OTHERWISE SPECIFIED: THIS DOCUMENT IS IN ACCORDANCE WITH ASME Y14.5M-1994 AS AMMENDED BY THE GM GLOBAL DIMENSIONING AND TOLERANCING ADDENDUM-1997. ALL GEOMETRIC TOLERANCES AND RELATED DATUMS APPLY RFS. RULE #1 (PERFECT FORM AT MMC) DOES NOT APPLY WHEN A RELATIONSHIP BETWEEN FEATURES IS ESTABLISHED BY ORIENTATION OR LOCATION TOLERANCES. SEPARATE POSITION CALLOUTS MAY BE GAGED SEPARATELY REGARDLESS OF DATUM REFERENCES.</p>			DATE
	 CHANGE RESTRICTED NO MANUAL CHANGES	REFERENCE 12H (MOLEX AUTOMOTIVE)	DRAFTER J SZYMKOWSKI APVD1 D PFAFFINGER APVD2 B BURT APVD3 APVD4 APVD5	22DE05 22DE05 22DE05
DO NOT SCALE	DRAWING NAME			
METRIC DIMENSIONS SHOWN IN MILLIMETERS UNLESS OTHERWISE SPECIFIED	HARNES CONN ASM 66/73/80 CKTS			
	DRAWING NUMBER 12642695	DWG STATUS		PAGE NUMBER 1 OF 21
		ST	REV	
		R	002	

PAGE	DWG STATUS					REVISION HISTORY	AUTH	DR	CK	ENG
	DATE	ST	REV	CHG	PDI					
	19DE11	R	001			RELEASED TO PRODUCTION AT DLS A	CRMRJB	SC	MRO	GF
3	08MY15	R	002	A		REORDERED PART BLOCK AND ADDED MASS CORRECTED P/N TYPO FROM 12562676 TO 12582676				
3, 5		R	002	B		ADDED 12659312, 12659313, 12653574 AND 12653575				
6		R	002	C		REMOVED NOTE 1 . D . 3 . C				
20		R	002	D		DIM 125 WAS 3.25 DIM 131 WAS 5.5	CRMRJD	DFK	MRO	GF

PAGE	DWG STATUS					REVISION HISTORY	AUTH	DR	CK	ENG
	DATE	ST	REV	CHG	PDI					

	PAGE TITLE	DRAWING NUMBER	DWG STATUS			PAGE NUMBER	
	REVISION BLOCK		12642695	ST	REV	PDI	2 OF 21
				R	002		

KEY PRODUCT CHARACTERISTICS
(IN ACCORDANCE WITH QN 1805 OR ON 1050)



SAFETY/COMPLIANCE

TOTAL ON
DRAWING

5



FIT/FUNCTION

LAST NO.
USED

5

NO	TYPE	DESCRIPTION	RATIONALE	PAGE/ZONE
1	F/F	32.68	IMPROVE CONNECTOR SYSTEM MATING	15
2	F/F	29.00	INSURE PROPER RELEASE OF LEVER	15
3	F/F	15.25	INSURE FINAL MATE POSITION	16
5	F/F	POSITIONAL TOLERANCE (2 PLACES)	INSURE CONNECTOR SYSTEM MATEABILITY	19



PAGE TITLE
KPC BLOCK

DRAWING NUMBER

12642695

DWG STATUS

ST	REV	PD1
----	-----	-----

R	002	
---	-----	--

PAGE NUMBER

4 OF 21

LINE	MFG.	MFG. P/N	GM P/N	EFFECTIVE DATE	APPLICABLE COMPONENTS	KEY OPTION	WIRE DRESS OPTION	KEY CONFIG.	COLOR	STATUS
					DESCRIPTION					
-										
1	MOLEX	34565-0003	12582676	02JN03	MX123 DRESS COVER 66/73/80 CKT	N/A	N/A	N/A	BLACK	AVAILABLE
2	MOLEX	34822-0013	12642692	01SP13	MX123 HRNS CONN ASSY 66 CKT	A	0	1458	BLACK	AVAILABLE
3	MOLEX	34822-0033	12659312	01SP13	MX123 HRNS CONN ASSY 66 CKT	C	0	2467	BLUE	AVAILABLE
4	MOLEX	34822-0023	12642693	01SP13	MX123 HRNS CONN ASSY 66 CKT	A	9	1458	BLACK	AVAILABLE
5	MOLEX	34822-0043	12659313	01SP13	MX123 HRNS CONN ASSY 66 CKT	C	9	2467	BLUE	AVAILABLE
6	MOLEX	34566-0103	12582677	11JN04	MX123 HRNS CONN ASSY 73 CKT	A	0	1458	BLACK	AVAILABLE
7	MOLEX	34566-0203	12582678	11JN04	MX123 HRNS CONN ASSY 73 CKT	B	0	1468	ST GRAY	AVAILABLE
8	MOLEX	34566-0303	12615654	09AP08	MX123 HRNS CONN ASSY 73 CKT	C	0	2467	BLUE	AVAILABLE
9	MOLEX	34566-0403	12647268	T.B.D	MX123 HRNS CONN ASSY 73 CKT	D	0	2367	BROWN	NOT ACTIVE
10	MOLEX	34566-0503	AMJ28633	T.B.D	MX123 HRNS CONN ASSY 73 CKT	E	0	2468	GREEN	NOT ACTIVE
11	MOLEX	34566-0603	12653574	05DC14	MX123 HRNS CONN ASSY 73 CKT	F	0	1357	NATURAL	AVAILABLE
12	MOLEX	34566-0703	12588057	09AP08	MX123 HRNS CONN ASSY 80 CKT	G	0	1358	BLUE	AVAILABLE
13	MOLEX	34566-0803	12588058	11JN04	MX123 HRNS CONN ASSY 80 CKT	H	0	2458	ST GRAY	AVAILABLE
14	MOLEX	34566-0903	12615656	T.B.D	MX123 HRNS CONN ASSY 80 CKT	J	0	2457	BLACK	NOT ACTIVE
15	MOLEX	34566-1003	AMJ28595	T.B.D	MX123 HRNS CONN ASSY 80 CKT	K	0	2357	BROWN	NOT ACTIVE
16	MOLEX	34566-1103	AMJ29057	T.B.D	MX123 HRNS CONN ASSY 80 CKT	L	0	2368	GREEN	NOT ACTIVE
17	MOLEX	34566-1203	AMJ28669	T.B.D	MX123 HRNS CONN ASSY 80 CKT	M	0	2358	NATURAL	NOT ACTIVE
18	MOLEX	34566-1303	12603596	11JN04	MX123 HRNS CONN ASSY 73 CKT	A	9	1458	BLACK	AVAILABLE
19	MOLEX	34566-1403	12603597	11JN04	MX123 HRNS CONN ASSY 73 CKT	B	9	1468	ST GRAY	AVAILABLE
20	MOLEX	34566-1503	12615655	09AP08	MX123 HRNS CONN ASSY 73 CKT	C	9	2467	BLUE	AVAILABLE
21	MOLEX	34566-1603	12647269	T.B.D	MX123 HRNS CONN ASSY 73 CKT	D	9	2367	BROWN	NOT ACTIVE
22	MOLEX	34566-1703	AMJ28698	T.B.D	MX123 HRNS CONN ASSY 73 CKT	E	9	2468	GREEN	NOT ACTIVE
23	MOLEX	34566-1803	12653575	05DC14	MX123 HRNS CONN ASSY 73 CKT	F	9	1357	NATURAL	AVAILABLE
24	MOLEX	34566-1903	12603598	09AP08	MX123 HRNS CONN ASSY 80 CKT	G	9	1358	BLUE	AVAILABLE
25	MOLEX	34566-2003	12603599	11JN04	MX123 HRNS CONN ASSY 80 CKT	H	9	2458	ST GRAY	AVAILABLE
26	MOLEX	34566-2103	12615657	T.B.D	MX123 HRNS CONN ASSY 80 CKT	J	9	2457	BLACK	NOT ACTIVE
27	MOLEX	34566-2203	AMJ29117	T.B.D	MX123 HRNS CONN ASSY 80 CKT	K	9	2357	BROWN	NOT ACTIVE
28	MOLEX	34566-2303	AMJ29136	T.B.D	MX123 HRNS CONN ASSY 80 CKT	L	9	2368	GREEN	NOT ACTIVE
29	MOLEX	34566-2403	AMJ29214	T.B.D	MX123 HRNS CONN ASSY 80 CKT	M	9	2358	NATURAL	NOT ACTIVE
30	MOLEX	34736-2002	12642697	01AU10	MX64 RCPT TERM Ag 18/20 GAGE B (RIGHT PAYOFF)	N/A	N/A	N/A	N/A	AVAILABLE
31	MOLEX	34736-2001	12642696	01AU10	MX64 RCPT TERM Ag 22 GAGE B (RIGHT PAYOFF)	N/A	N/A	N/A	N/A	AVAILABLE
32	MOLEX	34586-0001	T.B.D.	11JN04	MX123 0.64MM GROMMET PLUG	N/A	N/A	N/A	NATURAL	AVAILABLE
33	YAZAKI	7116-4150-02	12588066	02JN03	2.8mm YESC SEALED FEMALE TERMINAL TIN 20/22 GAGE (CABLE RANGE 0.30mm-0.60mm)	N/A	N/A	N/A	N/A	NOT ACTIVE
34	YAZAKI	7116-4151-02	12588067	02JN03	2.8mm YESC SEALED FEMALE TERMINAL TIN 16/18 GAGE (CABLE RANGE 0.75mm-1.40mm)	N/A	N/A	N/A	N/A	NOT ACTIVE
35	YAZAKI	7116-4152-02	12582685	02JN03	2.8mm YESC SEALED FEMALE TERMINAL TIN 14 GAGE (CABLE RANGE 1.50mm-2.50mm)	N/A	N/A	N/A	N/A	AVAILABLE
36	YAZAKI	7158-3111-60	12588068	02JN03	2.8mm CABLE SEAL (wire O.D. range 1.20mm-1.90mm)	N/A	N/A	N/A	GREEN	NOT ACTIVE
37	YAZAKI	7158-3112-70	12588069	02JN03	2.8mm CABLE SEAL (wire O.D. range 1.80mm-2.30mm)	N/A	N/A	N/A	YELLOW	NOT ACTIVE
38	YAZAKI	7158-3113-40	12582686	02JN03	2.8mm CABLE SEAL (wire O.D. range 2.18mm-3.00mm)	N/A	N/A	N/A	WHITE	AVAILABLE
39	YAZAKI	7158-3114-90	T.B.D	02JN03	2.8mm YESC CAVITY PLUG	N/A	N/A	N/A	BLUE	AVAILABLE
40	MOLEX	63811-4200	XX019825	02JN03	MX64 TERM HAND CRIMP TOOL	N/A	N/A	N/A	N/A	AVAILABLE
41	MOLEX	63813-1400	XX019826	02JN03	MX64 TERM SERVICE TOOL	N/A	N/A	N/A	N/A	AVAILABLE
42	MOLEX	63865-8000	XX019827	02JN03	MX64 CRIMP APPLICATOR with TOOL KIT 18/20 GAGE PAYOFF DIRECTION D (left payoff) (contact Molex for payoff detail)	N/A	N/A	N/A	N/A	AVAILABLE
43	MOLEX	63865-8070	XX019828	02JN03	MX64 APPLICATOR TOOL KIT 18/20 GAGE	N/A	N/A	N/A	N/A	AVAILABLE
44	MOLEX	63865-8100	XX019829	02JN03	MX64 CRIMP APPLICATOR with TOOL KIT 22 GAGE PAYOFF DIRECTION D (left payoff) (contact Molex for payoff detail)	N/A	N/A	N/A	N/A	AVAILABLE
45	MOLEX	63865-8170	XX019830	02JN03	MX64 APPLICATOR TOOL KIT 22 GAGE	N/A	N/A	N/A	N/A	AVAILABLE
46	SPX	J35616-64	T.B.D.	02JN03	0.64mm PROBE TOOL (for rcpt)	N/A	N/A	N/A	N/A	AVAILABLE
47	SPX	J35616-64A	T.B.D.	02JN03	0.64mm PROBE TOOL WITH EXT (for rcpt)	N/A	N/A	N/A	N/A	AVAILABLE
48	SPX	J35616-65	T.B.D.	02JN03	0.64mm PROBE TOOL WITH EXT (for pin)	N/A	N/A	N/A	N/A	AVAILABLE
49	SPX	J35616-4A	T.B.D.	02JN03	2.8mm PROBE TOOL (for rcpt)	N/A	N/A	N/A	N/A	AVAILABLE
50	YAZAKI	X39899-J374	12094430	02JN03	2.8mm TERM SERVICE TOOL	N/A	N/A	N/A	N/A	AVAILABLE

002B

* - MX123 DRESS COVER 73/80/66 CKT MATES TO ANY MX123 HARN CONN ASSY SHOWN ON TABLE ABOVE



PAGE TITLE
COMPONENT TABLE

DRAWING NUMBER
12642695

DWG STATUS			PAGE NUMBER
ST	REV	PD1	
R	002		

5 OF 21

NOTES: UNLESS OTHERWISE SPECIFIED

1. MATERIAL FOR INTERFACE:

- A. RESIN:
 - 1. 30% G.F. PBT; 20% MAX. (BY WEIGHT) REGRIND.
 - 2. MATING CONNECTOR INTERFACE PART COLOR MUST BE SAME AS MATCHING KEYED HARNESS CONNECTOR ASSEMBLY.
 - 3. MUST BE VALIDATED FOR INDIVIDUAL DEVICE APPLICATION REQUIREMENTS.
- B. 0.64MM PINS:
 - 1. BASE MATERIAL: COPPER ALLOY; CONDUCTIVITY >= 28% IACS AT 20°C; TENSILE STRENGTH >= 635 N/mm²; SURFACE ROUGHNESS R_a 6 MAX.
 - 2. PLATING FINISH: SILVER (Ag). PLATING TO BE 1.9-3.3 μm ELECTRODEPOSITED SEMI-BRIGHT SILVER OVER 1.25-2.25 μm DUCTILE SULPHAMATE NICKEL PER NOTE 1(D).
 - 3. ANTI-TARNISH: SYNTHETIC HYDROCARBON CONTACT SURFACE FINISH OR EQUIVALENT APPLIED WITHOUT VOID TO CONTACT AREA (MIN 3.7mm FROM PIN TIP).
- C. 2.8MM BLADE:
 - 1. BASE MATERIAL: COPPER ALLOY; CONDUCTIVITY >= 28% IACS AT 20°C; TENSILE STRENGTH >= 350 N/mm²; SURFACE ROUGHNESS R_a 6 MAX.
 - 2. PLATING FINISH: TIN. PLATING TO BE 2.5-5.0 μm ELECTRODEPOSITED TIN, MATTE FINISH OVER 1.25-2.5 μm DUCTILE SULPHAMATE NICKEL PER NOTE 1(D).
- D. PLATING REQUIREMENTS:
 - 1. SILVER PLATING
 - a. 99.5% PURE SEMI-BRIGHT WITH NO ORGANIC BRIGHTNERS OR CHROMATES.
 - 2. NICKEL PLATING
 - a. ELECTRODEPOSITED DUCTILE SULFAMATE NICKEL WITH A NON-BRIGHTENED FINISH. NO ORGANIC OR BRIGHTENING AGENTS SHALL BE ALLOWED.
 - b. SHALL ONLY BE USED AS AN UNDERLYING PLATING AND MAY NOT BE USED AS AN ELECTRICAL CONTACT SURFACE PLATING.
 - c. SHALL BE NODULE FREE WHEN VIEWED AT 10X MAGNIFICATION IN MEASURED IN CONTACT SURFACE AREA PLUS 0.5MM PERIMETER AROUND THE CONTACT SURFACE AREA.
 - d. ALL PLATINGS SHALL HAVE A 1.0% MAXIMUM BY WEIGHT IMPURITIES. IMPURITIES ARE DEFINED AS ALL ELEMENTS NOT THE PRIMARY PLATING OR HARDENING AGENT IF APPLICABLE, AS DETERMINED BY WET CHEMICAL ANALYSIS OR AUGER METHOD. NO SINGLE IMPURITY SHALL EXCEED 0.1% MAXIMUM BY WEIGHT.
 - 3. TESTING
 - a. THICKNESS TO BE MEASURED IN CONTACT SURFACE AREA PLUS 0.5MM PERIMETER AROUND THE CONTACT SURFACE AREA AS DESIGNATED IN THE DRAWING. THICKNESS SHALL BE DETERMINED BY METHOD OF X-RAY (XRF).
 - b. PLATING ADHESION SHALL BE TESTED BY A BEND TEST FOR ALL METALS. THE TEST SAMPLE SHALL BE BENT 90 DEGREES TO DETERMINE DEPOSIT ADHESION. TESTING SHALL BE COMPLETED IN ACCORDANCE WITH ASTM SPEC B571.


2. DESIGN - GENERAL:

- A. THIS IS A 100% CAD GENERATED PART. THE CAD MATHEMATICAL DATA IS THE MASTER FOR THIS PART. FOR DIMENSIONAL OR ANY INFORMATION NOT SHOWN ON THIS DRAWING, ANALYZE THE CAD MODEL.
- B. TOLERANCES:
 - 1. LINEAR
 - 0.X ± 0.30
 - 0.XX ± 0.10
 - 0.XXX ± 0.10
 - 2. ANGULAR X° ± 3°
 - 3. 
- C. MINIMUM WALL THICKNESS REQUIRED: 1.3mm.
- D. CORNERS SHOWN AS SHARP TO BE R 0.2 MAX.
- E. LETTERING SHALL BE 0.15 MAX RAISED IN 0.20 MAX RECESS PAD. THIS INCLUDES MATERIAL CODE, RECYCLING CODE, CAVITY ID AND DATE CODE.
- F-1. PARTS MUST BE FREE OF DISCOLORATION, SALT RESIDUE AND OTHER IMPERFECTIONS THAT AFFECT FIT OR FUNCTION.
- F-2. SCRATCHES OR DENTS NOT TO EXCEED 0.013mm IN DEPTH.
- G. FOLLOWING PRODUCTION CODES TO BE PERMANENTLY MARKED & HUMAN READABLE TO A LETTER HEIGHT OF 1.5 ± 0.5MM X 0.3 MAX DEEP
 - 1. MATERIAL #: XXXXX-XXXX
 - 2. DATE CODE: JJYY (JULIAN DAY, LAST DIGIT OF YEAR)
 - 3. INSPECTION MACHINE CODE + SERIAL #: X_XXXXX

3. DESIGN - MANUFACTURING:

- A. DRAFT TO BE WITHIN TOLERANCE.
- B. ALLOWABLE FLASH MAX 0.2 HIGH X MAX 0.13 THICK.
- C. ALLOWABLE PARTING LINE MISMATCH 0.2 MAX.
- D. EJECTOR PINS MARK TO BE FLUSH TO 0.25 MAX DEPRESSED.
- E. ALLOWABLE GATE VESTIGE FLUSH TO 0.25 MAX PROTRUSION.
- F. NO EXTERNAL MOLD RELEASE AGENT ALLOWED DURING MANUFACTURING.
- G. STEEL THAT FORMS THE INDICATED SURFACE MUST BE POLISHED WITH A DIAMOND FINISH (SPI A-2) OVER THE FULL PERIPHERY OF THE TOOL. SURFACE MUST HAVE NO MISMATCH.
- H. ANY PROCESS LUBRICANT REMAINING ON THE TERMINAL MUST NOT VARNISH OR DEGRADE IT'S ELECTRICAL PERFORMANCE UP TO A MAXIMUM CLASS AMBIENT TEMPERATURE PER SAE USCAR-2 FOR 1008 HOURS. PROCESS LUBRICANTS SHOULD BE APPROVED BY THE RESPONSIBLE ENGINEER.
- J. OPTIONAL FEATURES PROVIDED FOR AUTOMATION.
- K. PART MUST BE FREE FROM BURRS AND SHARP EDGES, WHICH MIGHT BE DETRIMENTAL TO SATISFACTORY ASSEMBLY, SAFE HANDLING OR FUNCTION OF PART.
- L. PARTS AS DELIVERED TO ASSEMBLY SHALL BE CLEAN AND FREE OF DEBRIS, RESIDUAL ABRASIVE MATERIAL AND CORROSION PRODUCTS ADVERESLY AFFECTING FUNCTION OR APPEARANCE.
- M. RESTRICTED AND REPORTABLE SUBSTANCES FOR PARTS PER GMW3059.

002C

	PAGE TITLE	DRAWING NUMBER	DWG STATUS			PAGE NUMBER	
	NOTES		12642695	ST	REV	PDI	6 OF 21
				R	002		

NOTES: UNLESS OTHERWISE SPECIFIED

4. SYSTEM REQUIREMENTS:

- A. HARNESS CONNECTOR IS COMPATIBLE WITH THE FOLLOWING SAE WIRE SIZE NO'S:
 - 14, MEETING SAE J1128
 - 18, MEETING SAE J1128, MAX O.D. OF 2.06 MM
 - 20, MEETING SAE J1128
 - 22, MEETING SAE J1128, MIN O.D. OF 1.47 MM
- B. CABLE TIE SPECIFICATIONS:
 - 1. CABLE TIE:
 - TENSILE RATING: 220N / (50lbs) MIN
 - TIE LENGTH: 186mm MIN
 - TIE WIDTH: 4.75mm MAX
 - MATERIAL: NYLON
 - 2. INSTALLATION:
 - CABLE TIE TENSION: 190N MIN
 - 3. DRESSED WIRE BUNDLE PACKAGING: SEE FIG. 1
- C. WHEN MATED WITH COMPONENT CONNECTOR INTERFACE AND/OR DRESS COVER, HARNESS CONNECTOR SYSTEM CONFORMS TO THE FOLLOWING:
 - 1. SAE/USCAR-2, REV: 3 APRIL, 2001; CLASS 3
 - 2. FIELD CORRELATED LIFE TEST, SAE/USCAR-20, NOV. 2001
 - 3. GMW #3191 AUGUST 22, 2000 (DRAFT); TEMPERATURE CLASS 3, SEALING CLASS 1, VIBRATION CLASS 2
 - 4. RESTRICTED AND REPORTABLE CHEMICALS PER GMW #3059, REV: D AUGUST 2002
 - 5. TPA USER FORCES (FULLY POPULATED WITH TERMINALS)
 - a. REMOVAL FROM LOCK TO PRE-SET: <=120N
- D. WIRE SPECIFICATIONS:
 - 1. WIRE SURFACE MUST BE FREE OF SCRATCHES, GROOVES OR DENTS WHERE FUNCTIONAL

5. TERMINAL CURRENT RATINGS:

ALL TESTING DONE IN ACCORDANCE WITH USCAR-2 REV5 SECTION 5.3

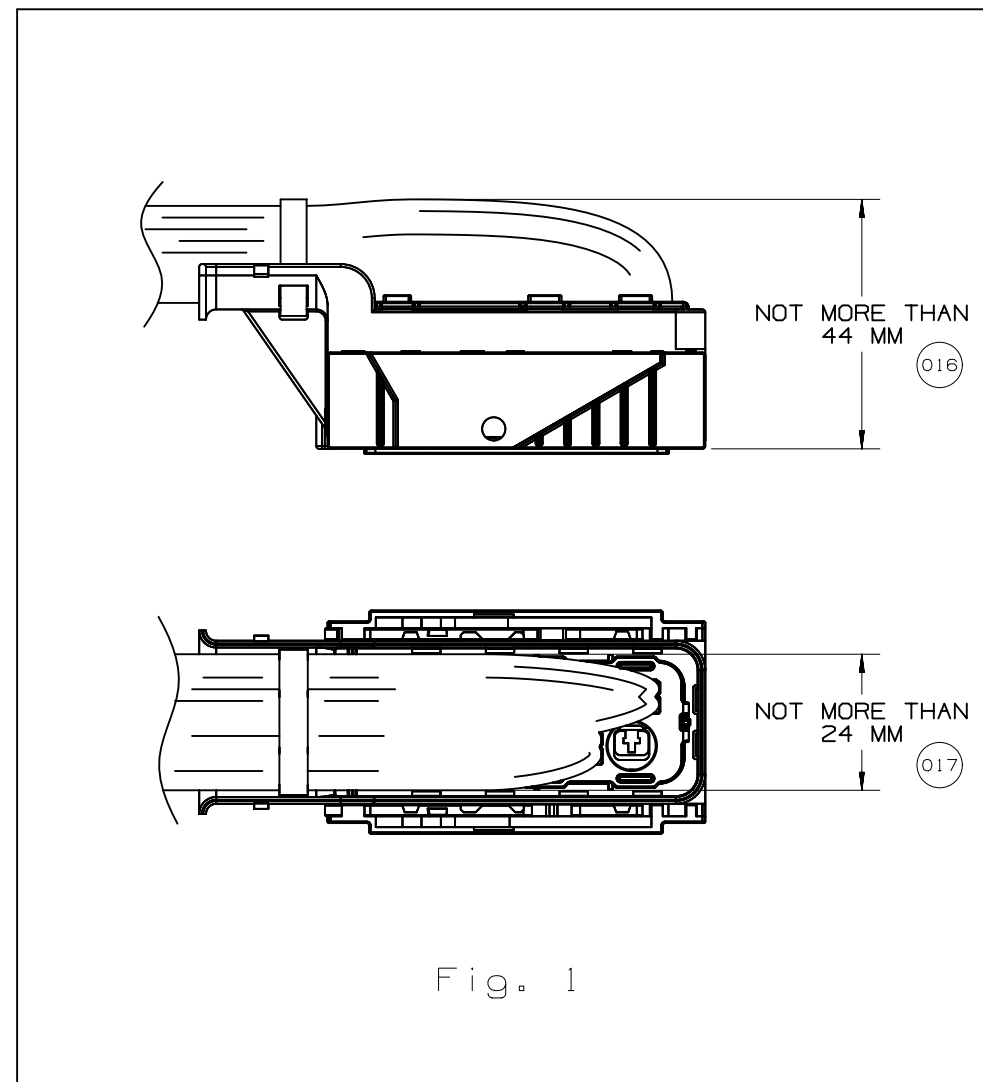
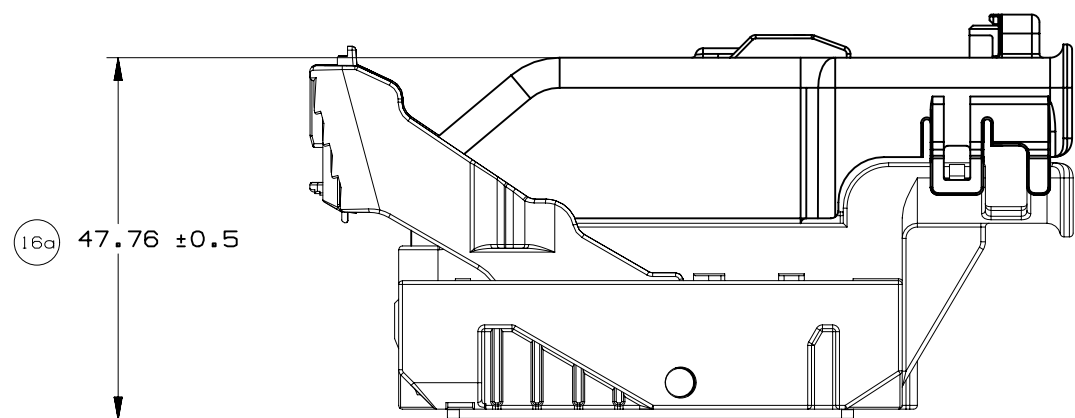
- A. MX64 RCPT TERM
 - 1. MX64 RCPT TERM Ag 18/20 GAGE CRIMPED TO SAE WIRE SIZE NO.18 AND MATED TO MX123 0.64MM PIN: 11.3 AMPS
 - 2. MX64 RCPT TERM Ag 22 GAGE CRIMPED TO SAE WIRE SIZE NO.22 AND MATED TO MX123 0.64MM PIN:8.5 AMPS

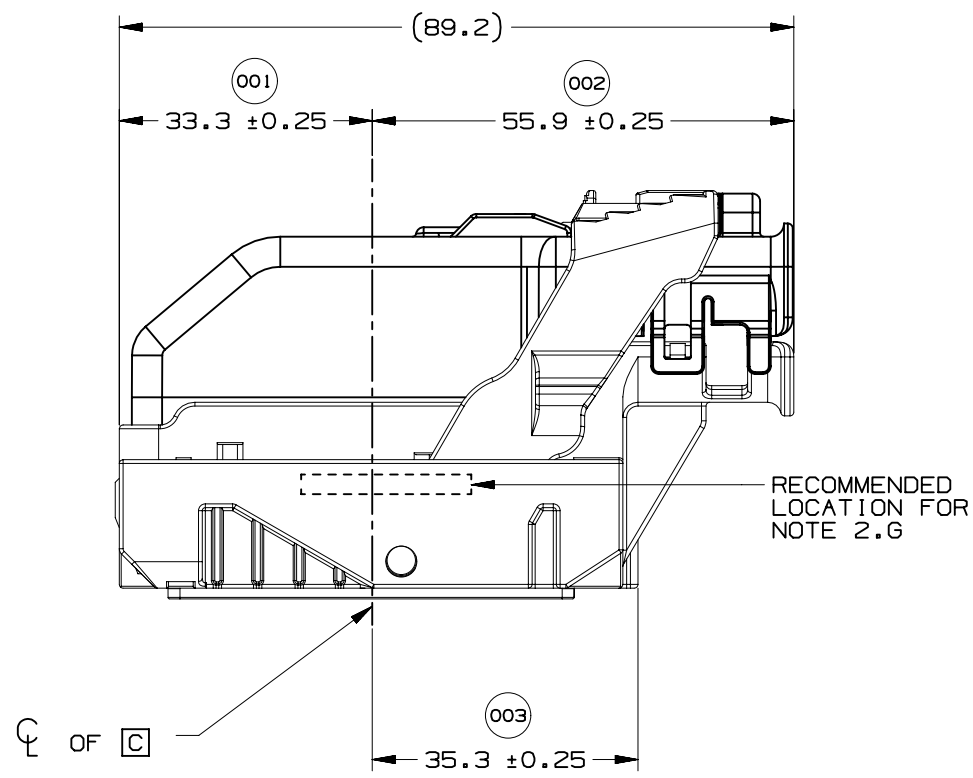
WIRE	CURRENT RATING			
	23°C	85°C	105°C	125°C
18AWG	11.3A	11.3A	9.5A	6.6A
20AWG	10.0A	10.0A	8.3A	5.7A
22AWG	8.6A	8.6A	7.1A	5.0A

- B. 2.8MM RCPT TERM
 - 1. 2.8MM RCPT TERM TIN 14 GAGE CRIMPED TO SAE WIRE SIZE NO.14 AND MATED TO MX123 2.8MM BLADE: 25.6 AMPS

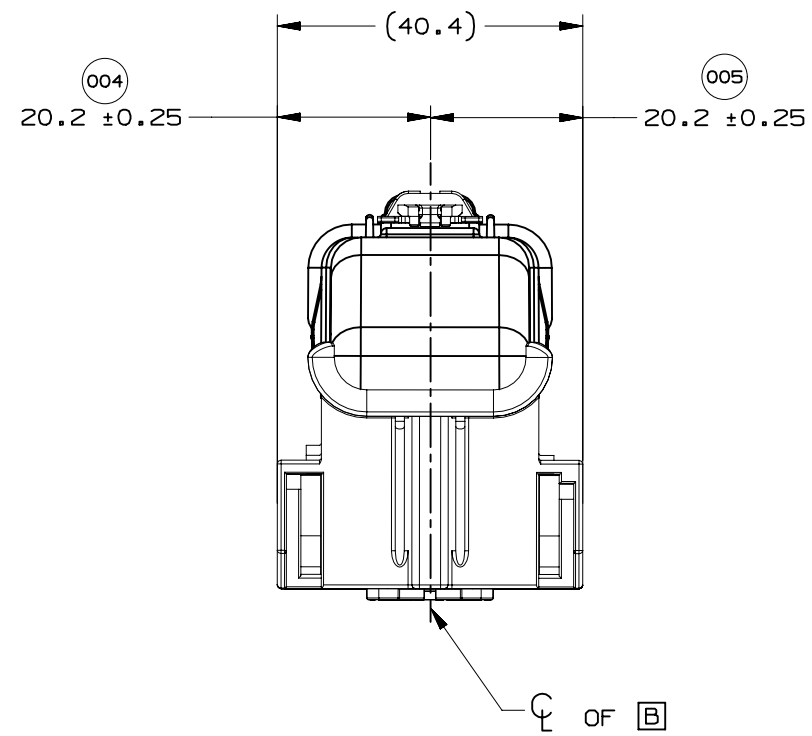
6. CONTACT MOLEX AUTOMOTIVE FOR AVAILABLE CUSTOM PATTERNS OF CAVITIES OPEN FOR CIRCUITS



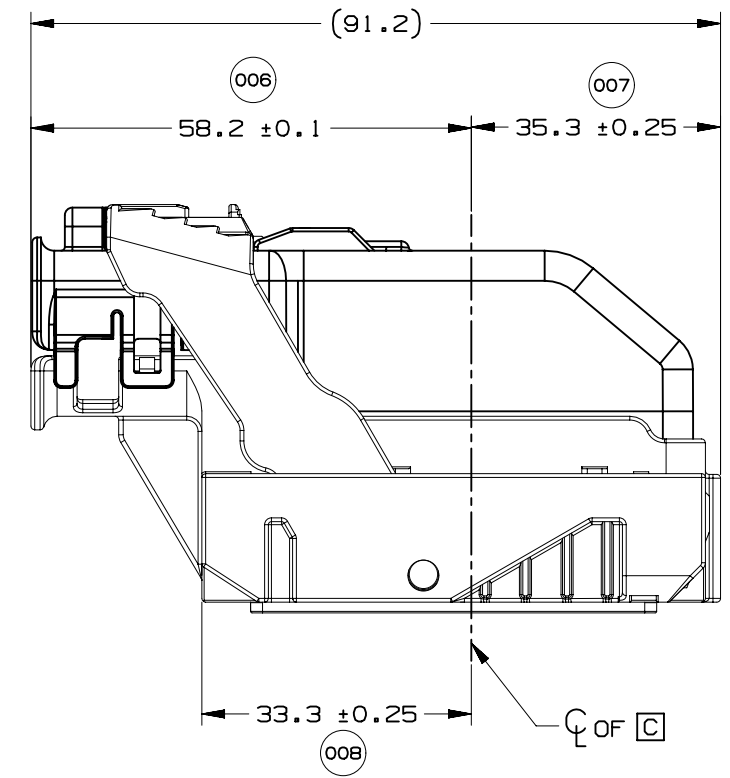




WIRE DRESS OPTION 0 SHOWN

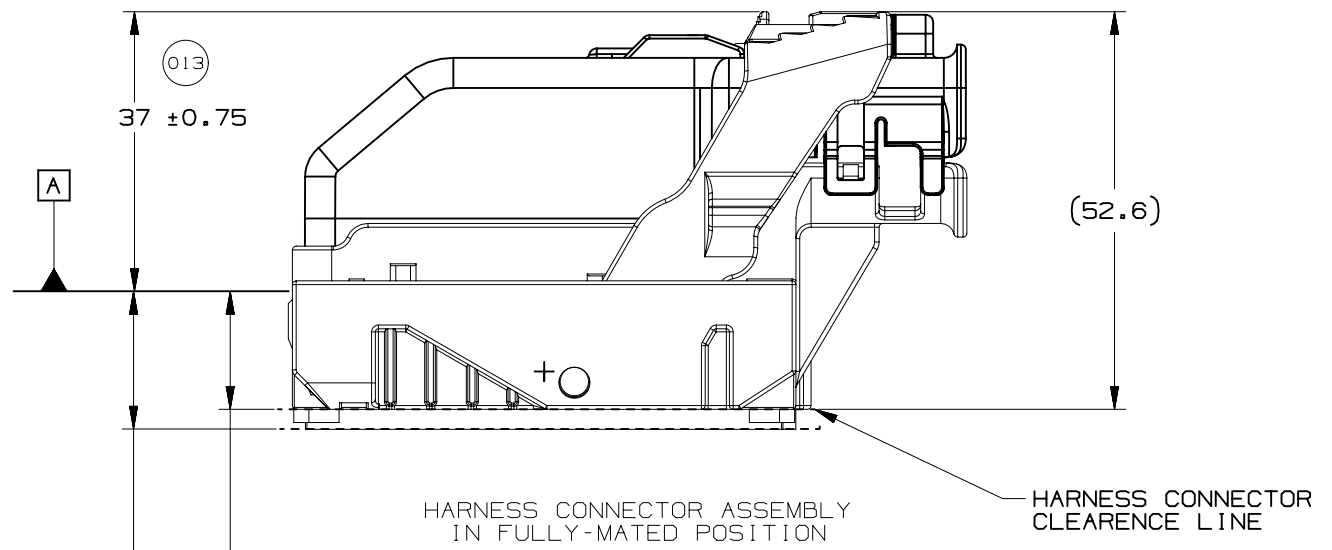
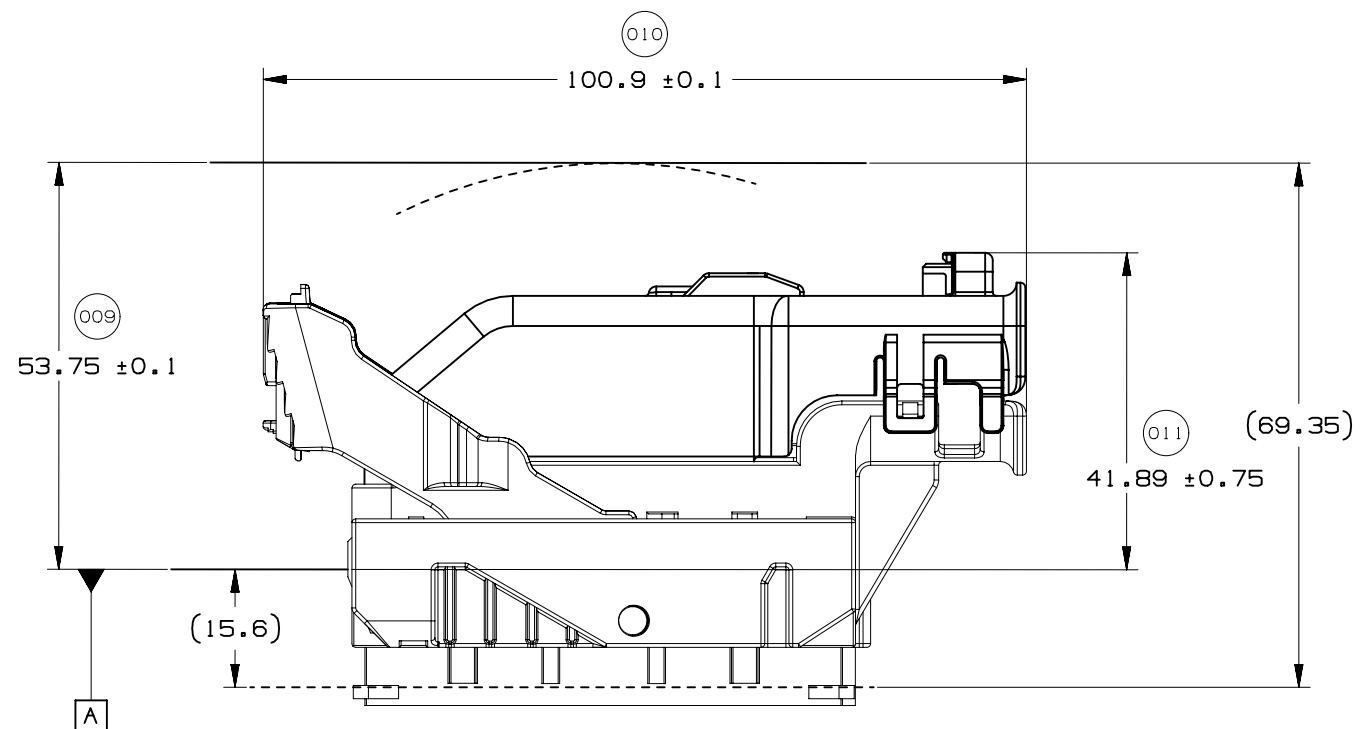
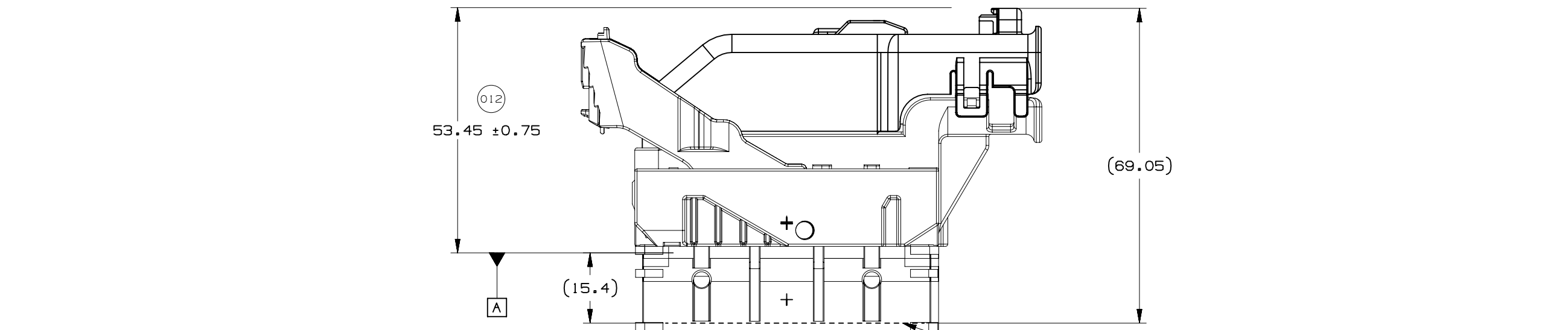


WIRE DRESS OPTION 0 SHOWN



WIRE DRESS OPTION 9 SHOWN





15.6 MIN. ALL AROUND CLEARANCE REQUIRED FOR HARNESS CONNECTOR

014

17.9 MIN. AT PAD LOCATION CLEARANCE REQUIRED FOR HARNESS CONNECTOR CONSTRUCTION BELOW THIS PLANE IS NOT CONTROLLED

015

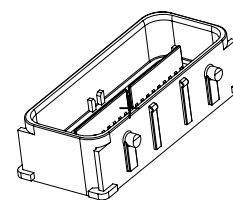
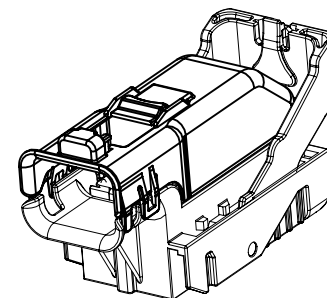
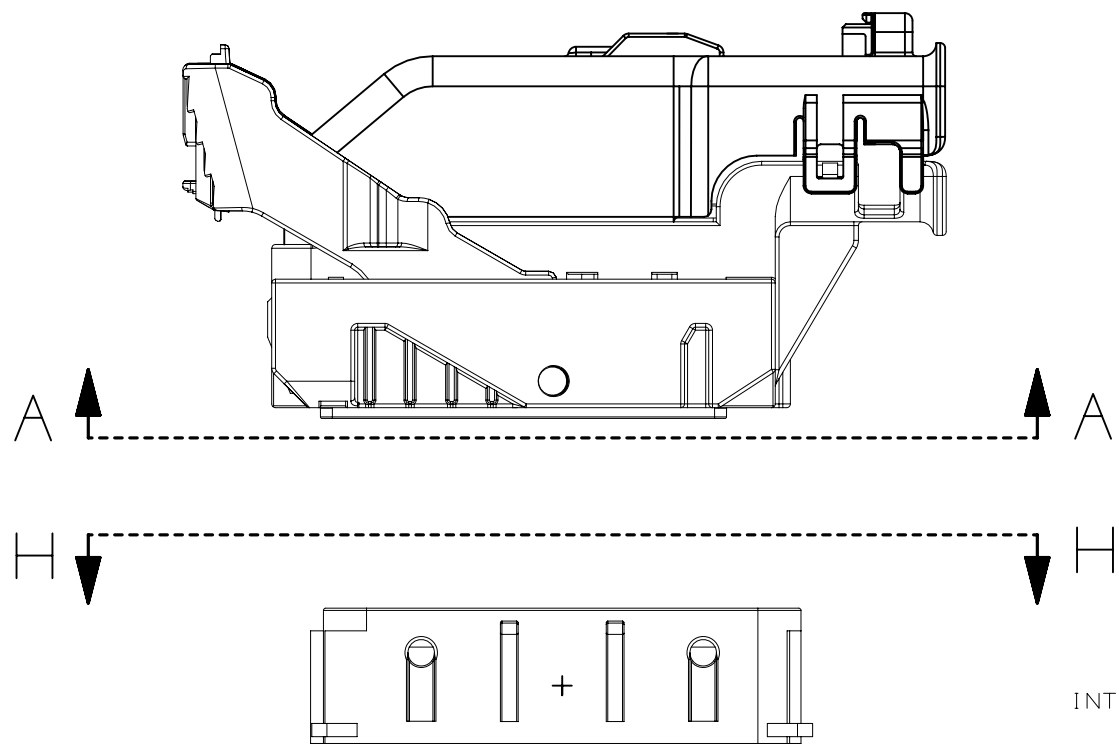


PAGE TITLE
 LOCATION AND PACKAGING DIMENSIONS
 REFERENCING INTERFACE DATUM A

DRAWING NUMBER
 12642695

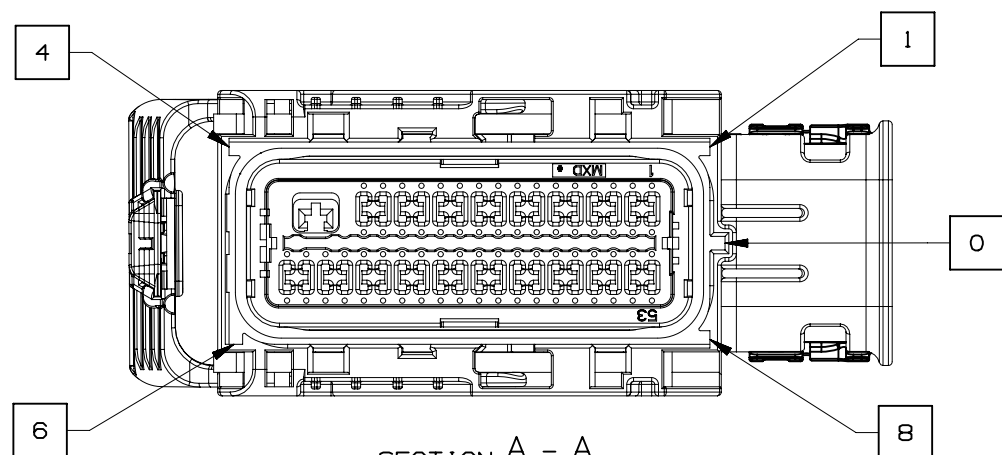
DWG STATUS		
ST	REV	PD1
R	002	

PAGE NUMBER
 10 OF 21

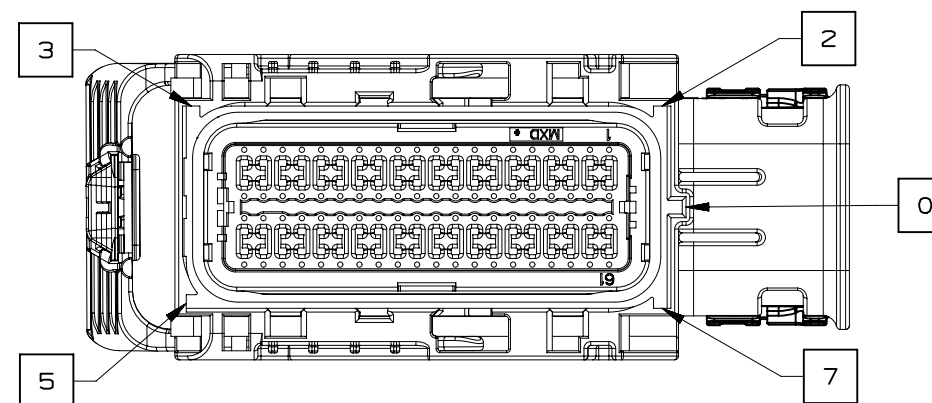


NOTE: REFERENCE THE COMPONENT TABLE FOR KEY OPTIONS AND CONFIGURATIONS

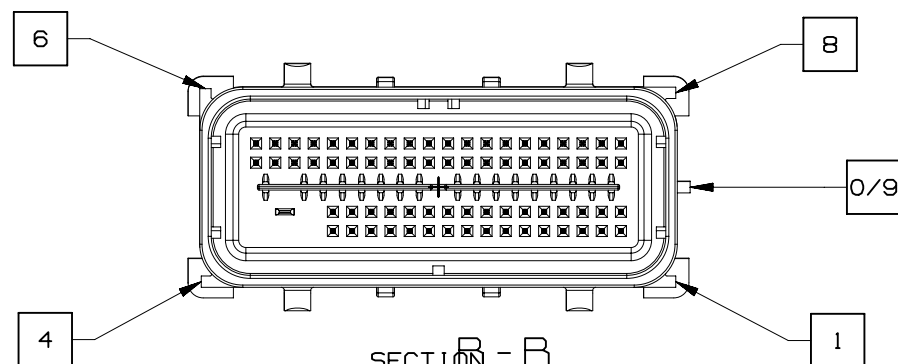
INTERFACE SIDE SHOWN ON ALL SECTION VIEWS



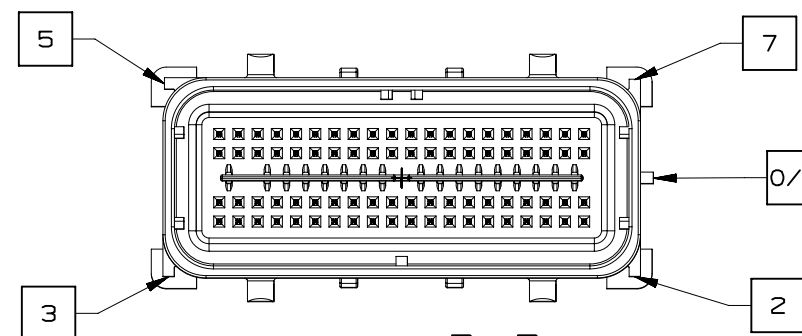
SECTION A - A
KEY OPTION B SHOWN



SECTION A - A
KEY OPTION K SHOWN



SECTION B - B
KEY OPTION B SHOWN



SECTION B - B
KEY OPTION K SHOWN

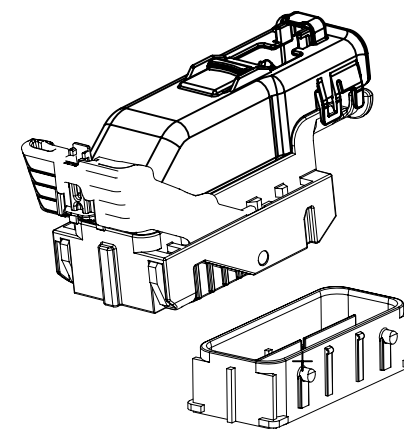
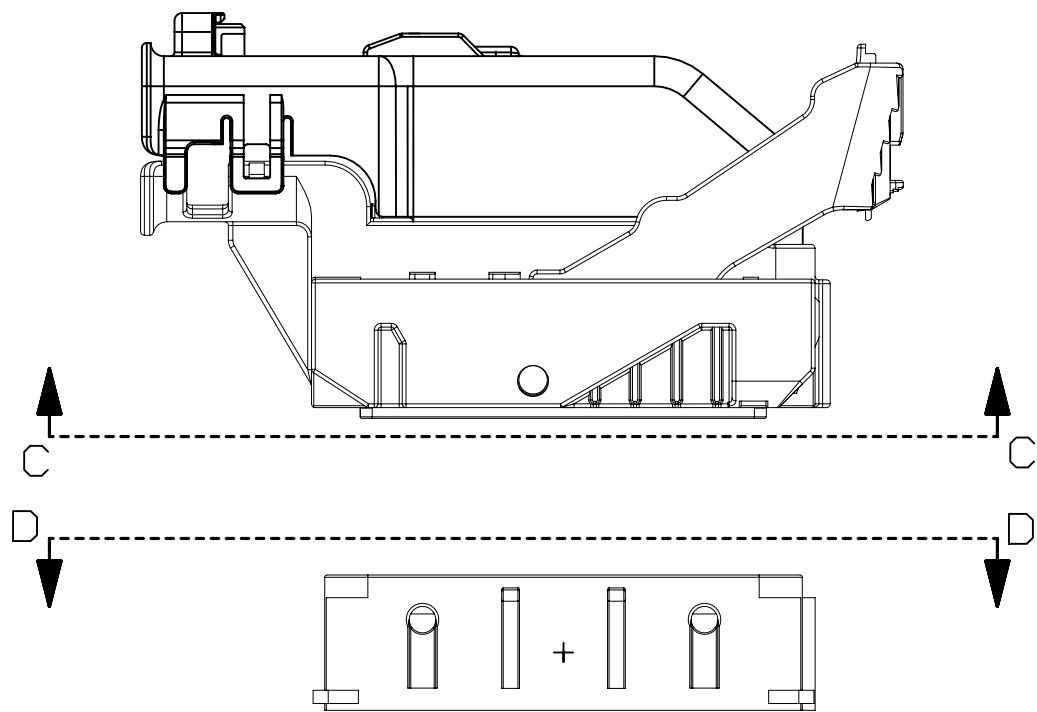


PAGE TITLE
KEY ID REF - WIRE DRESS OPTION 0

DRAWING NUMBER
12642695

DWG STATUS		
ST	REV	PD1
R	002	

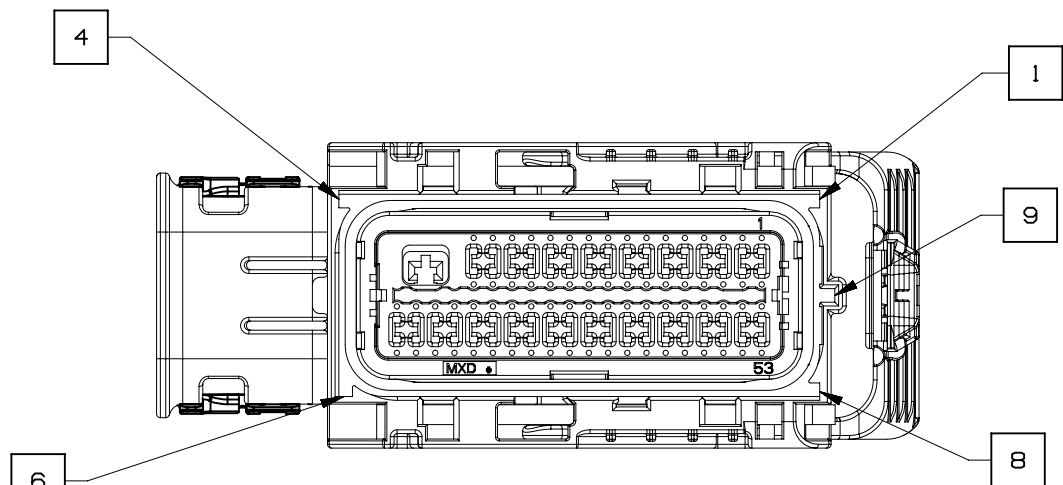
PAGE NUMBER
11 OF 21



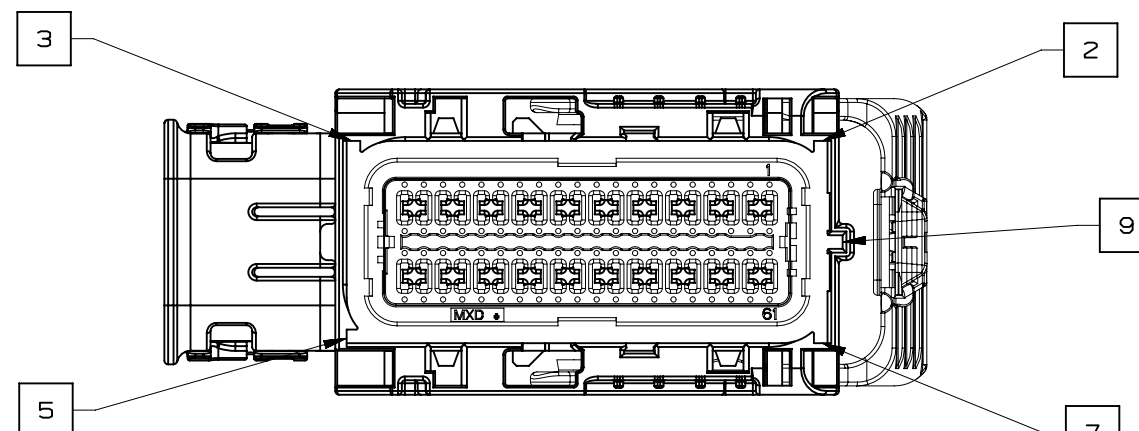
NOTE: REFERENCE THE COMPONENT TABLE FOR KEY OPTIONS AND CONFIGURATIONS

VIEW V

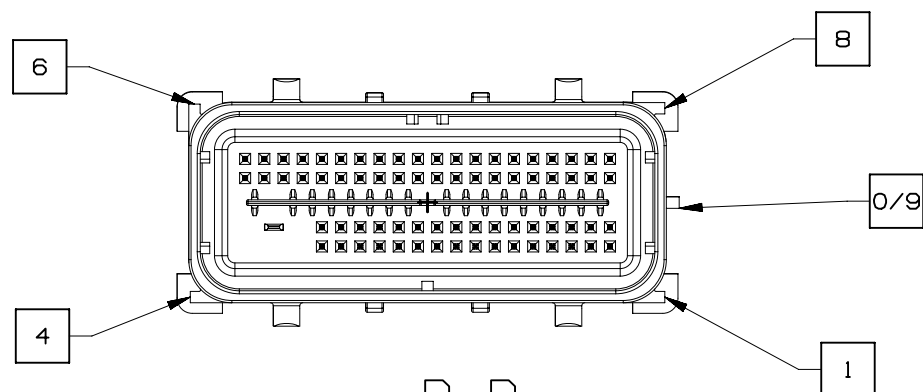
INTERFACE SIDE SHOWN ON ALL SECTION VIEWS



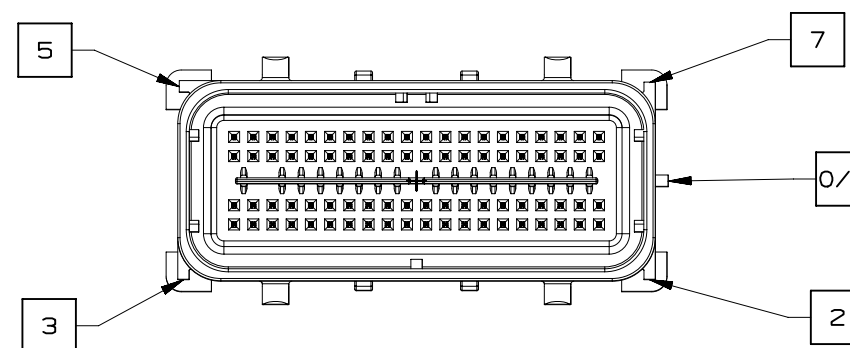
SECTION C-C
KEY OPTION B SHOWN



SECTION C-C
KEY OPTION K SHOWN



SECTION D-D
KEY OPTION B SHOWN



SECTION D-D
KEY OPTION K SHOWN

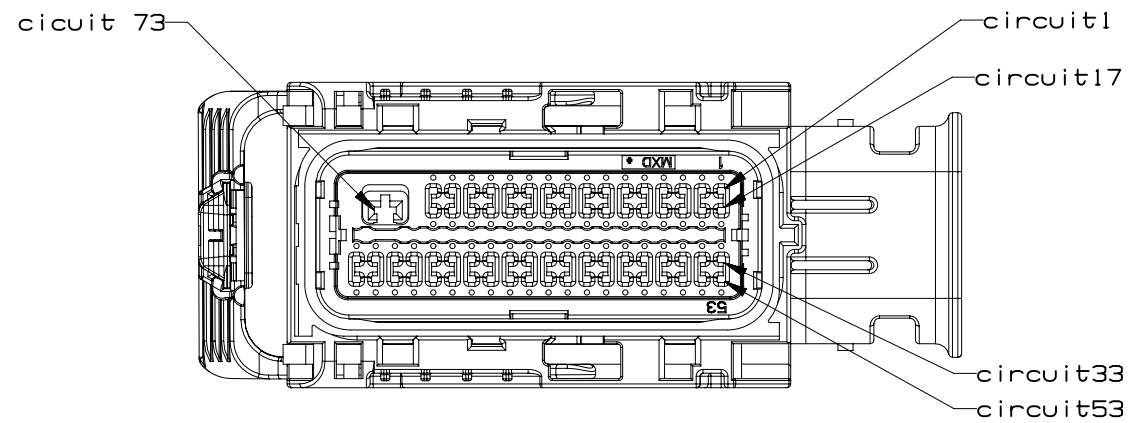


PAGE TITLE
KEY ID REF - WIRE DRESS OPTION 9

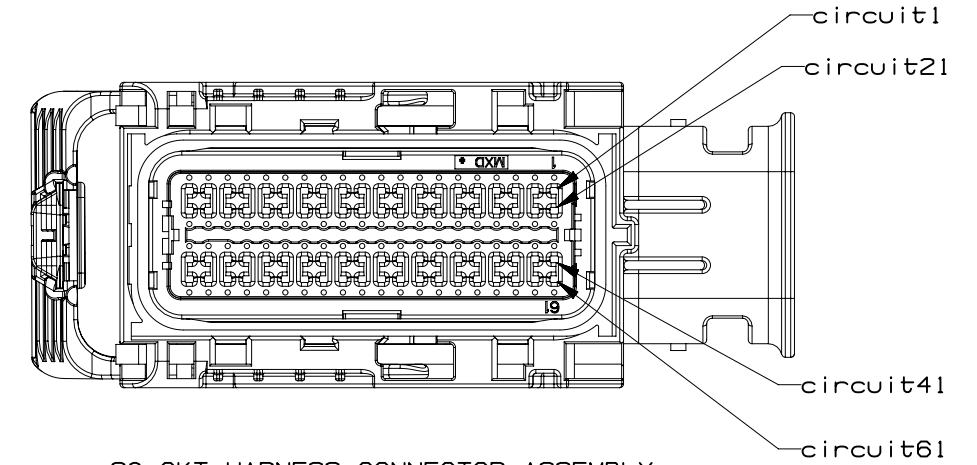
DRAWING NUMBER
12642695

DWG STATUS		
ST	REV	PD1
R	002	

PAGE NUMBER
12 OF 21

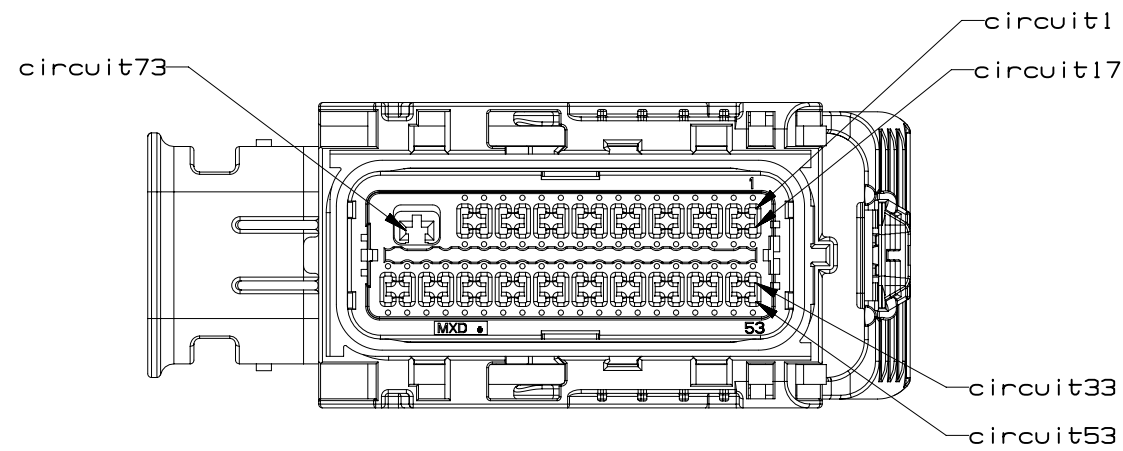


73 CKT HARNESS CONNECTOR ASSEMBLY
WIRE DRESS OPTION 0

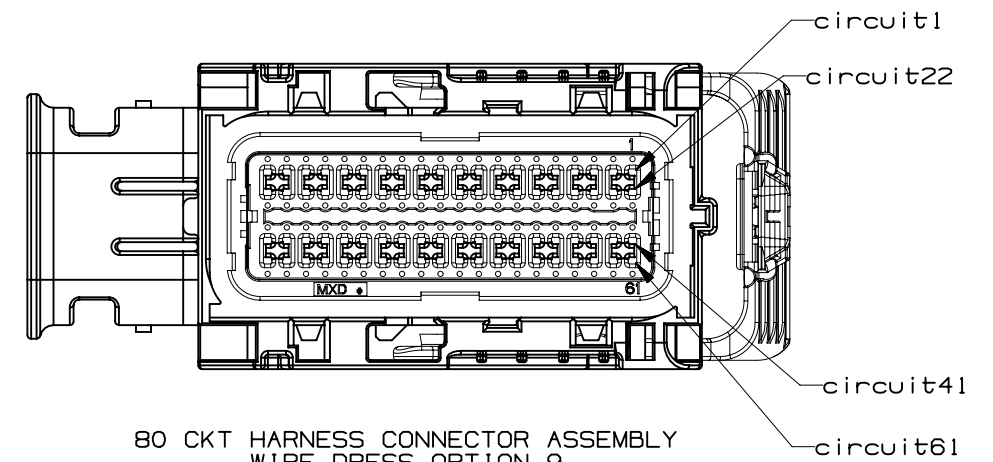


80 CKT HARNESS CONNECTOR ASSEMBLY
WIRE DRESS OPTION 0

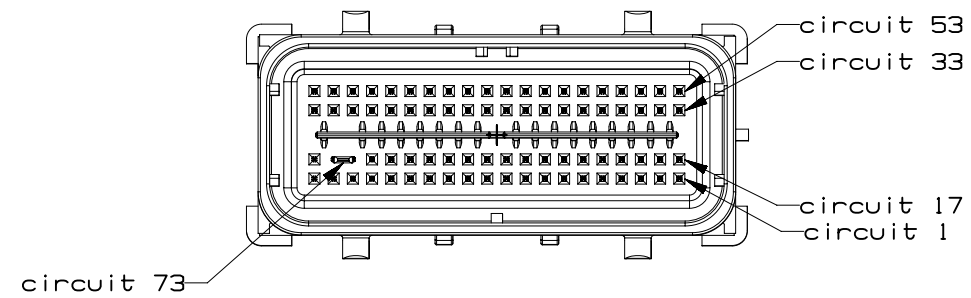
INTERFACE SIDE SHOWN ON ALL VIEWS



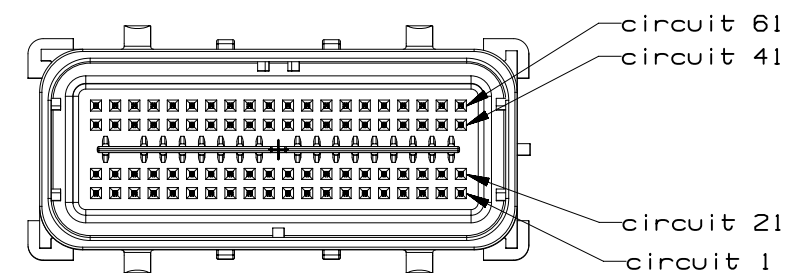
73 CKT HARNESS CONNECTOR ASSEMBLY
WIRE DRESS OPTION 9



80 CKT HARNESS CONNECTOR ASSEMBLY
WIRE DRESS OPTION 9

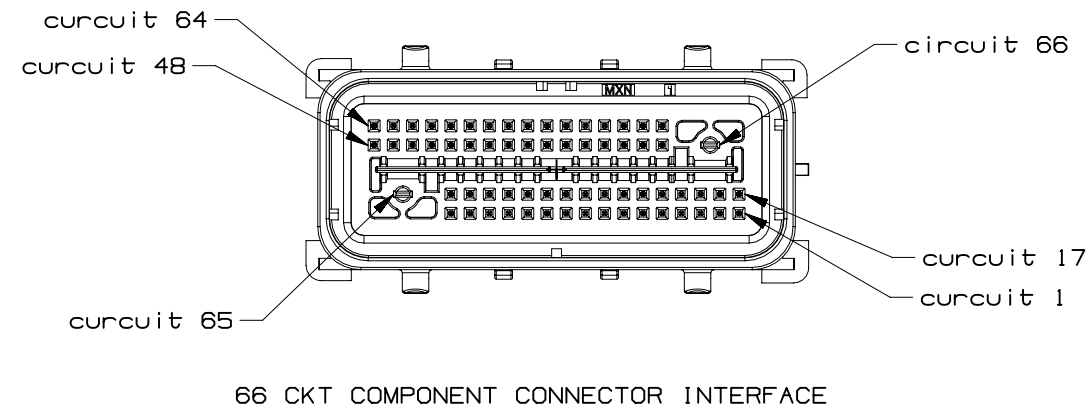
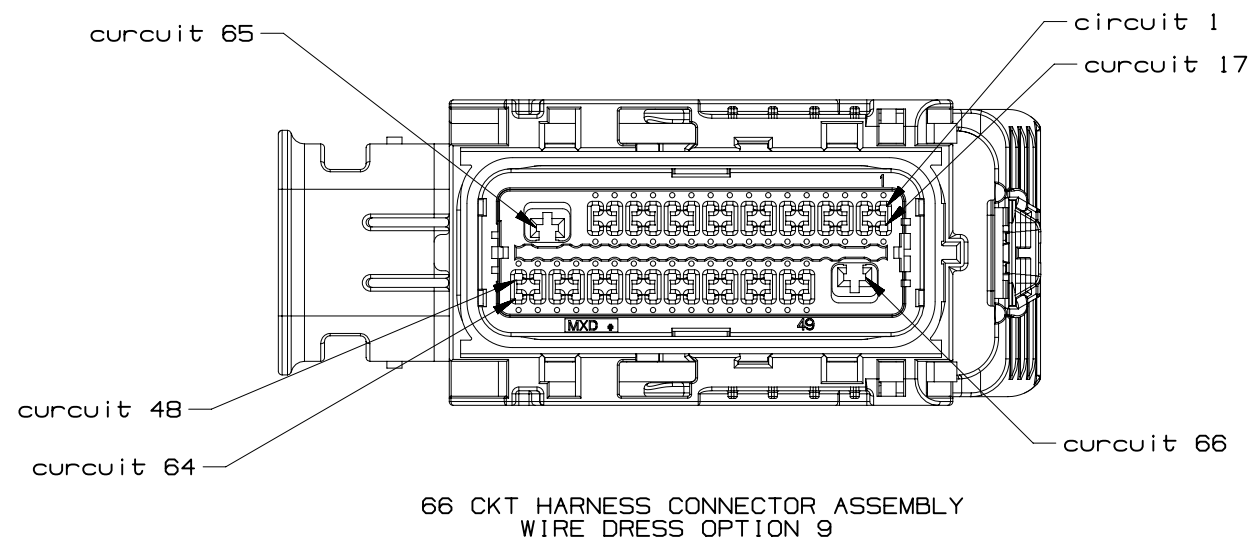
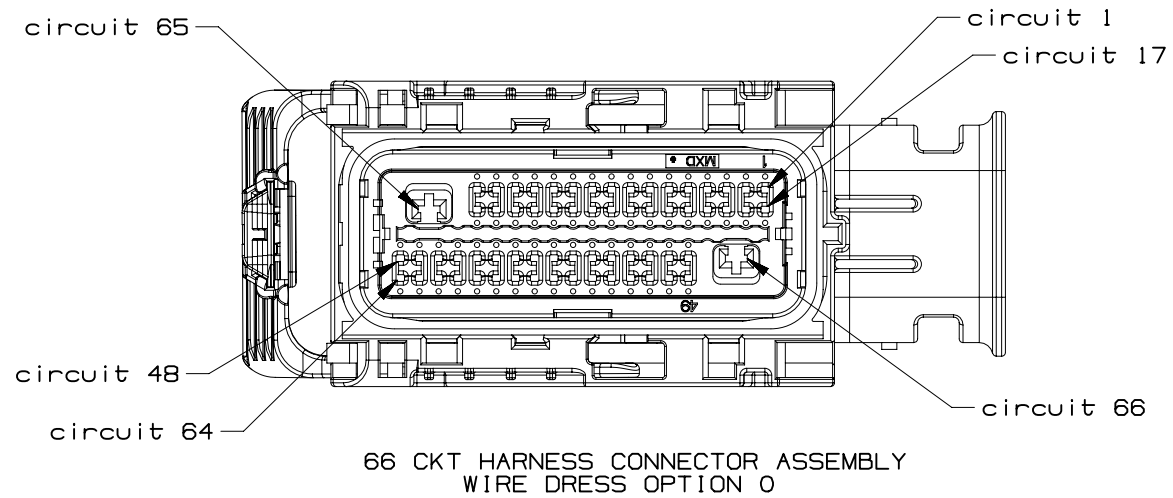



73 CKT COMPONENT CONNECTOR INTERFACE

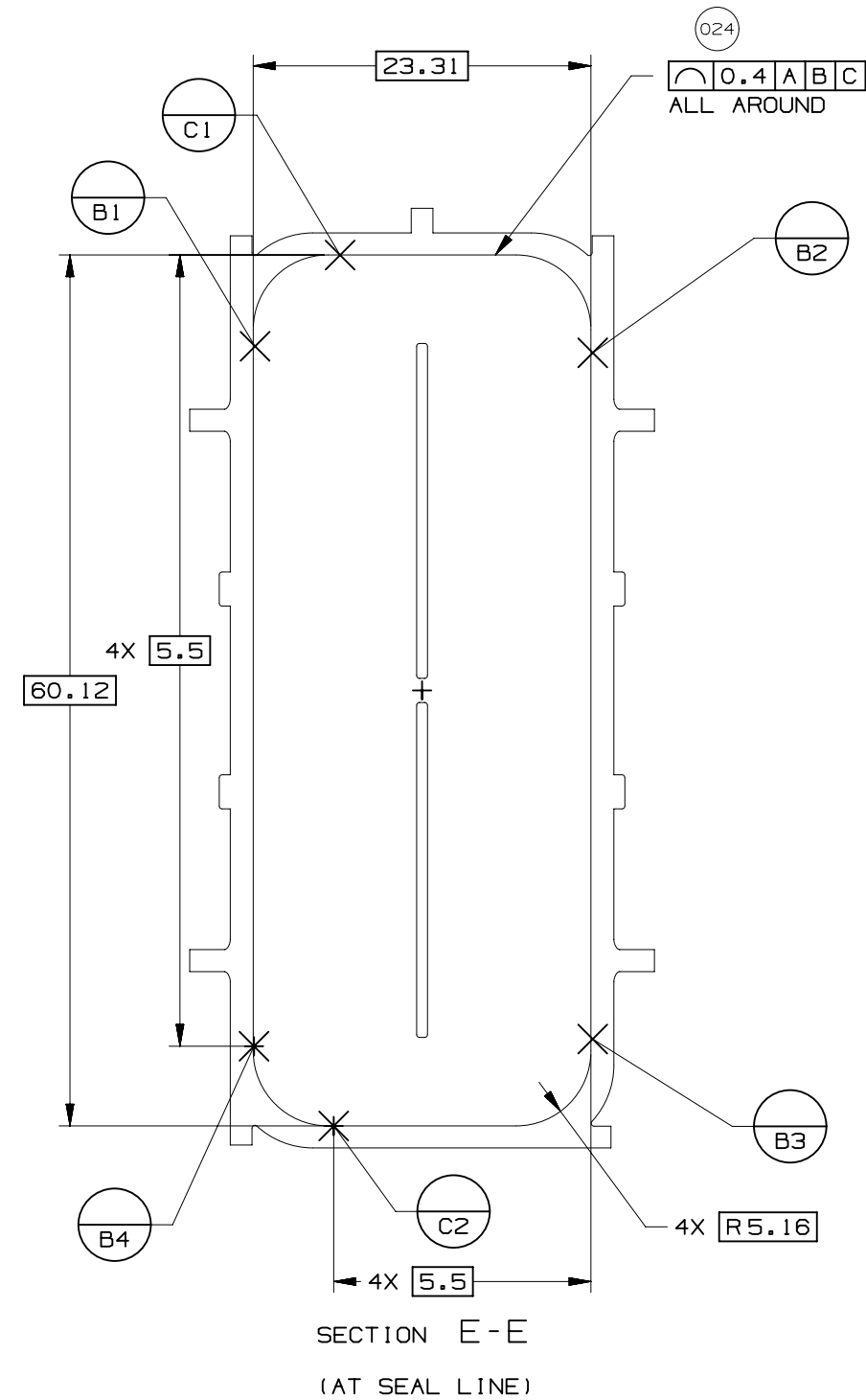
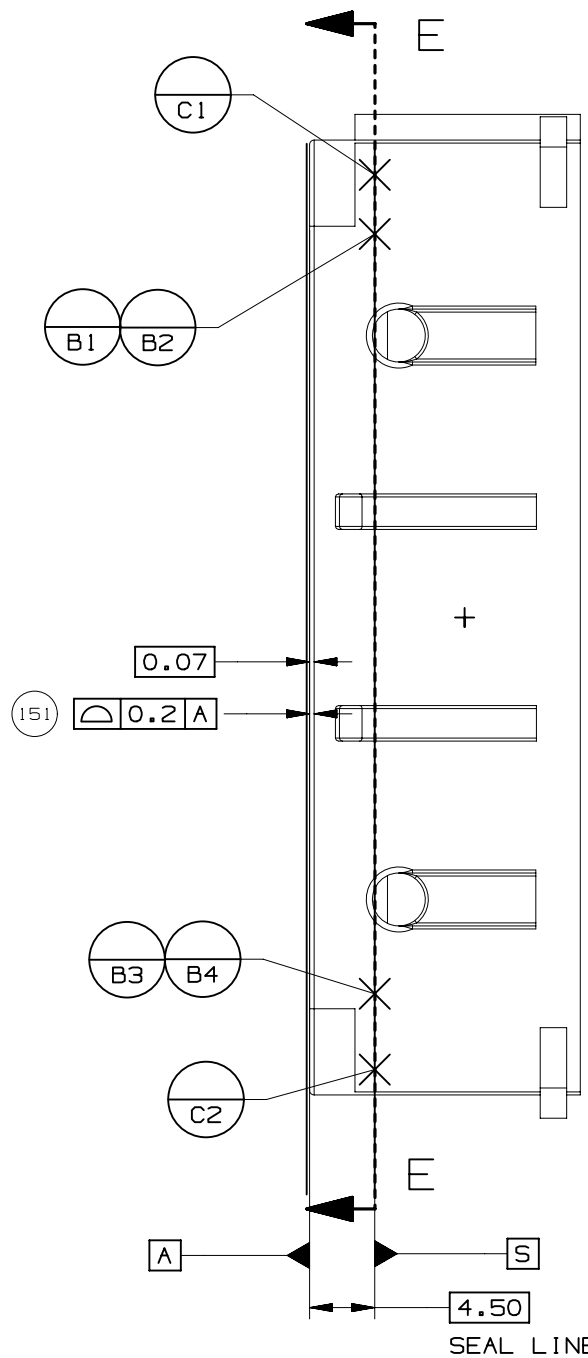
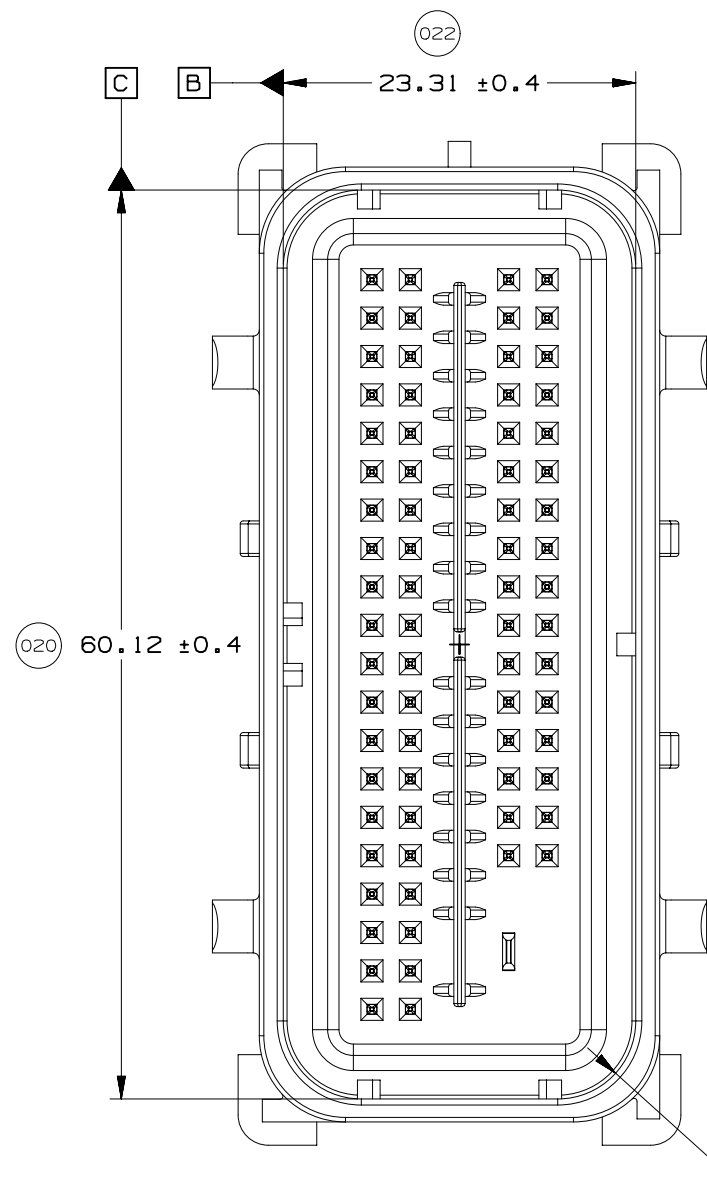
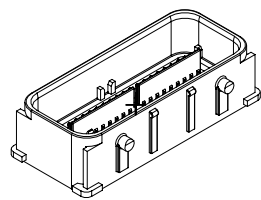


80 CKT COMPONENT CONNECTOR INTERFACE





	PAGE TITLE	DRAWING NUMBER	DWG STATUS			PAGE NUMBER	
	CIRCUIT CONFIGURATIONS		12642695	ST	REV	PDI	14 of 21
				R	002		



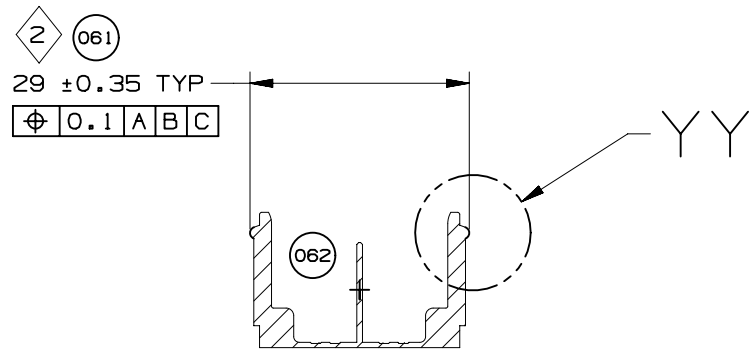
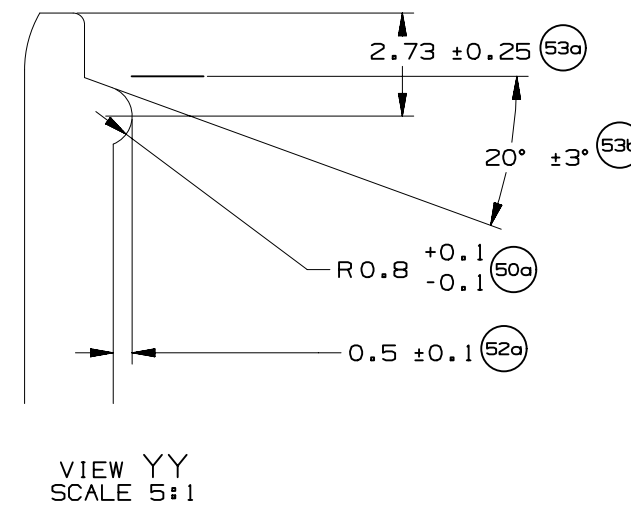
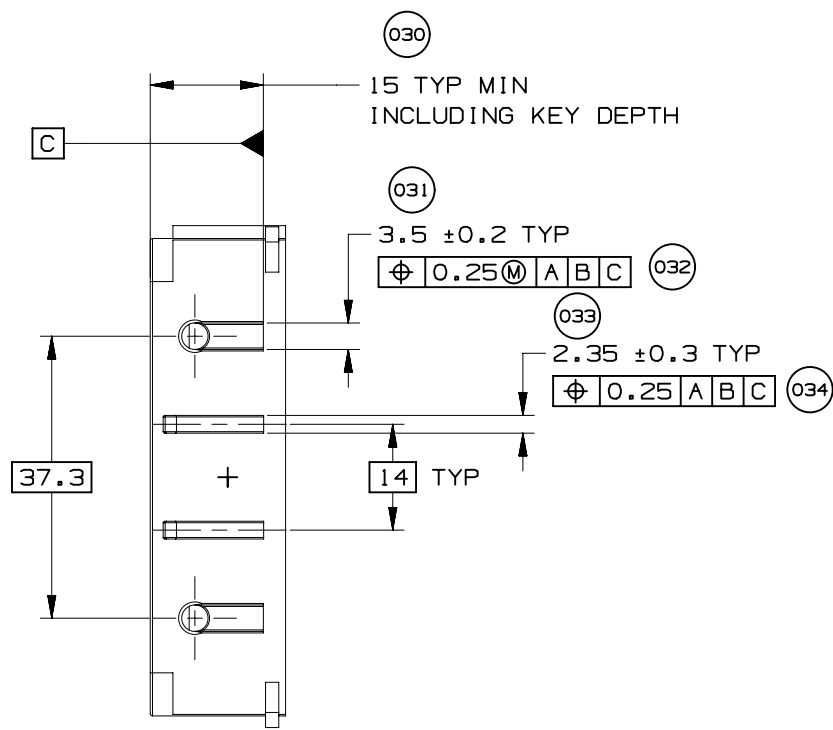
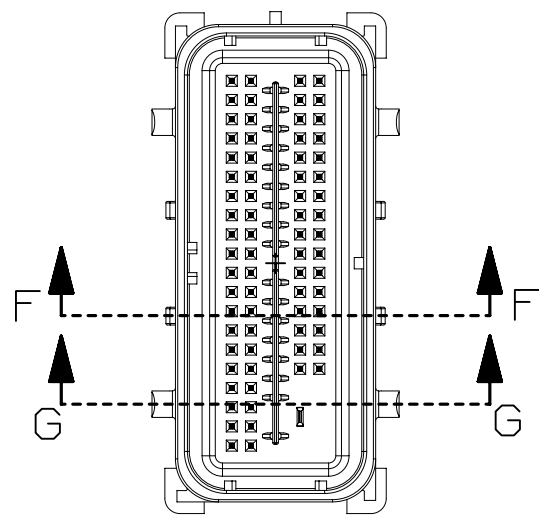
UNLESS SPECIFIED, TOLERANCE OF THE COMPONENT CONNECTOR INTERFACE TO BE $\sqrt[0.13]{A B C}$



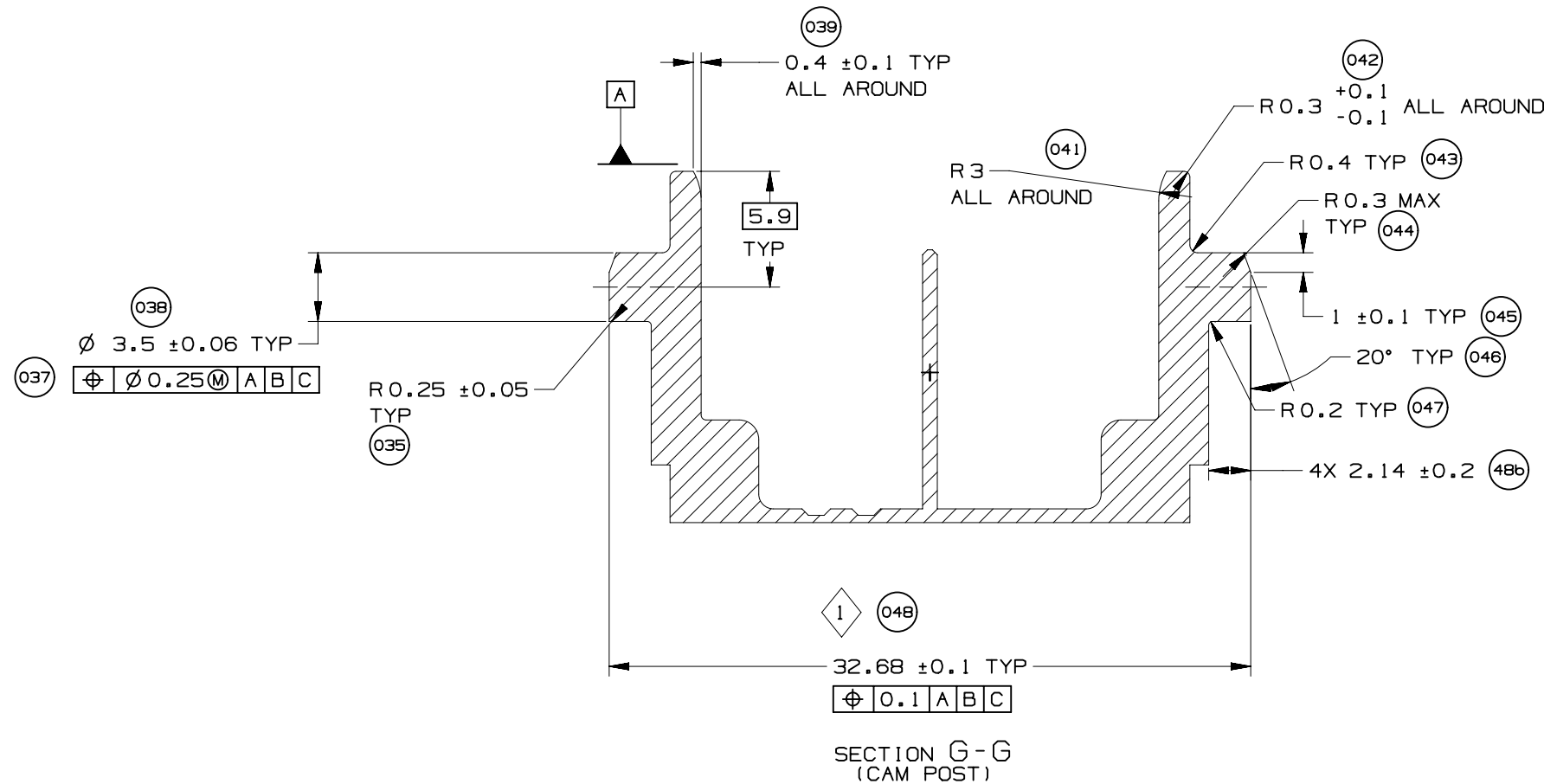
PAGE TITLE
COMPONENT CONNECTOR INTERFACE

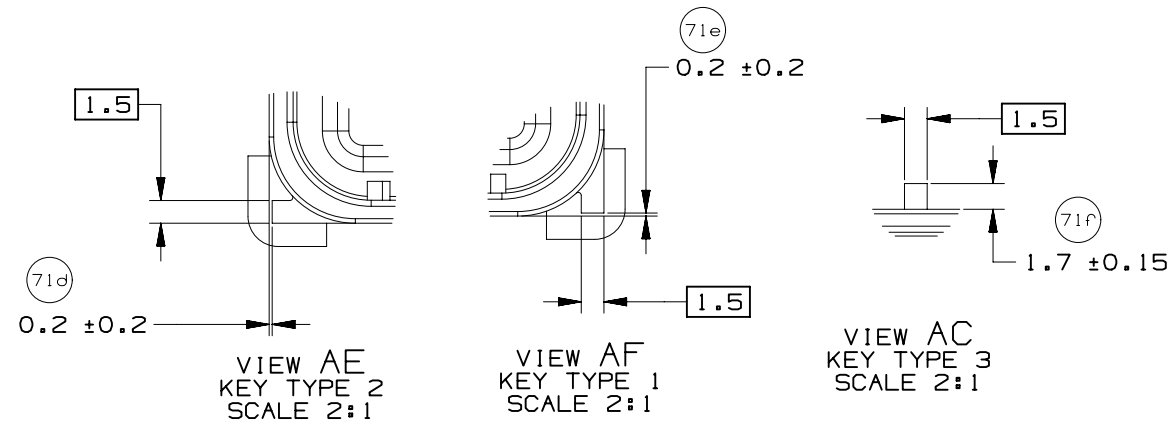
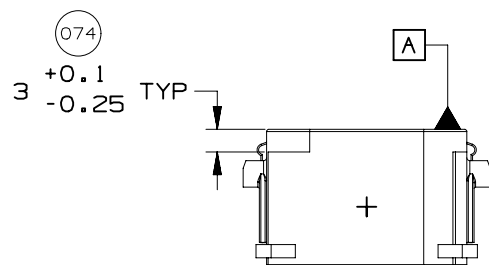
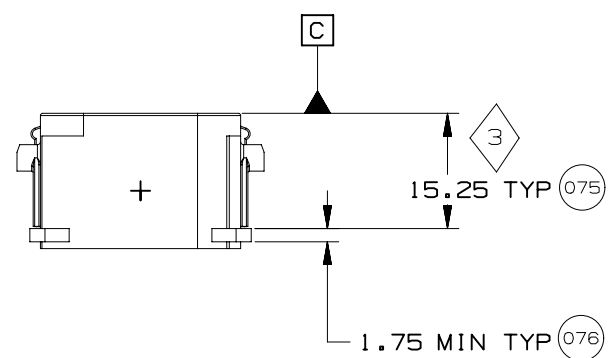
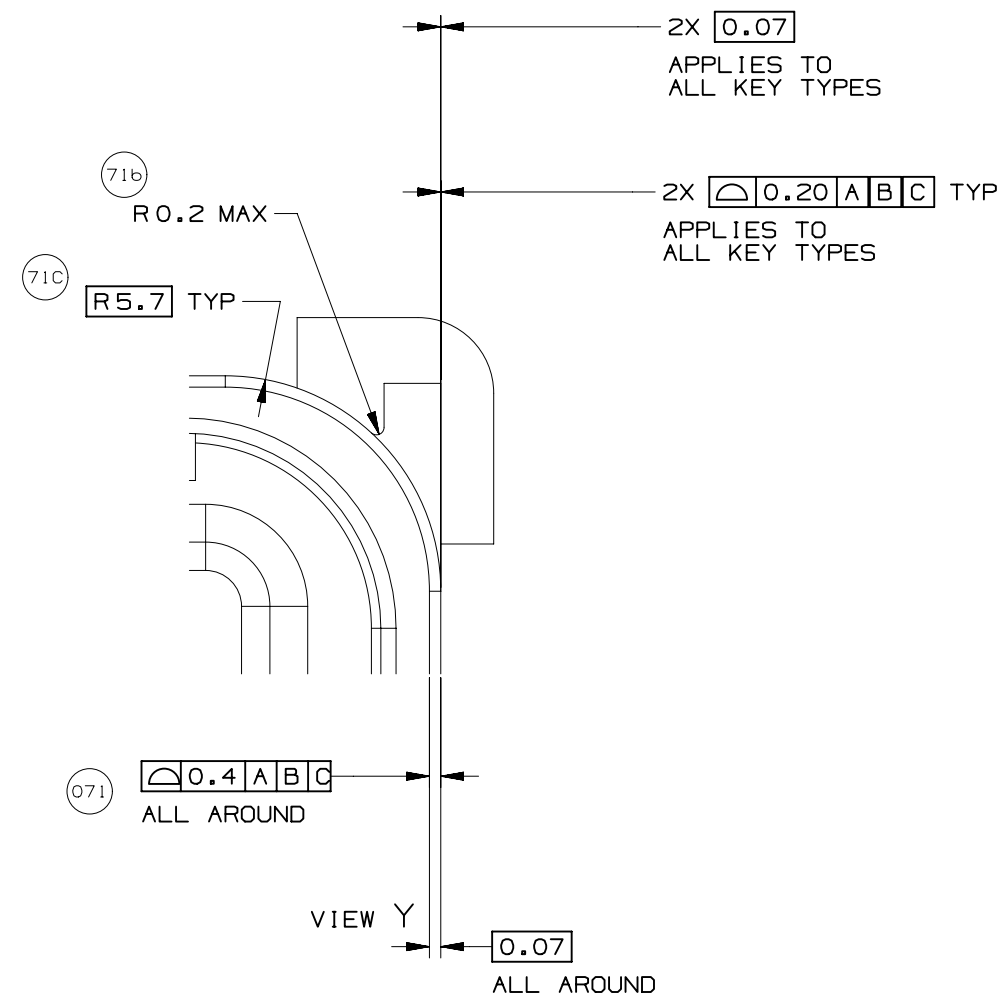
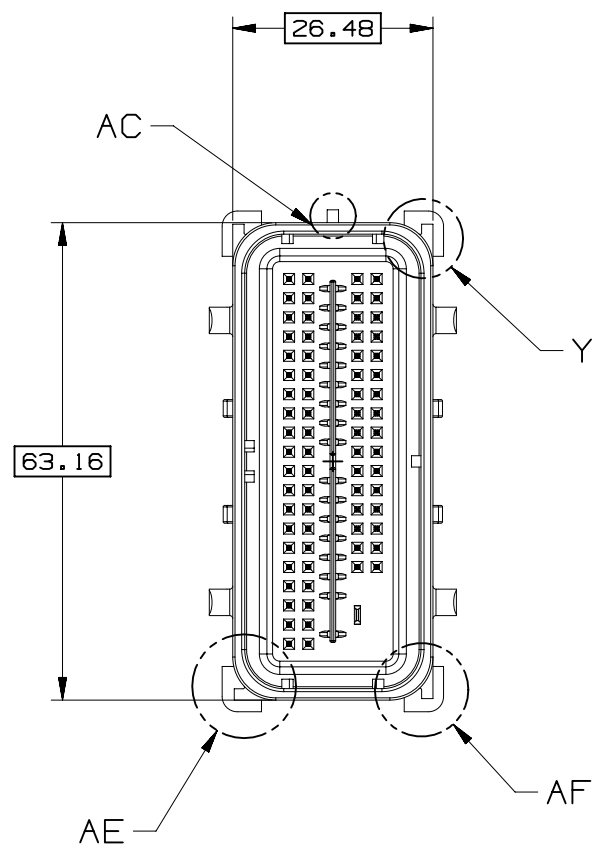
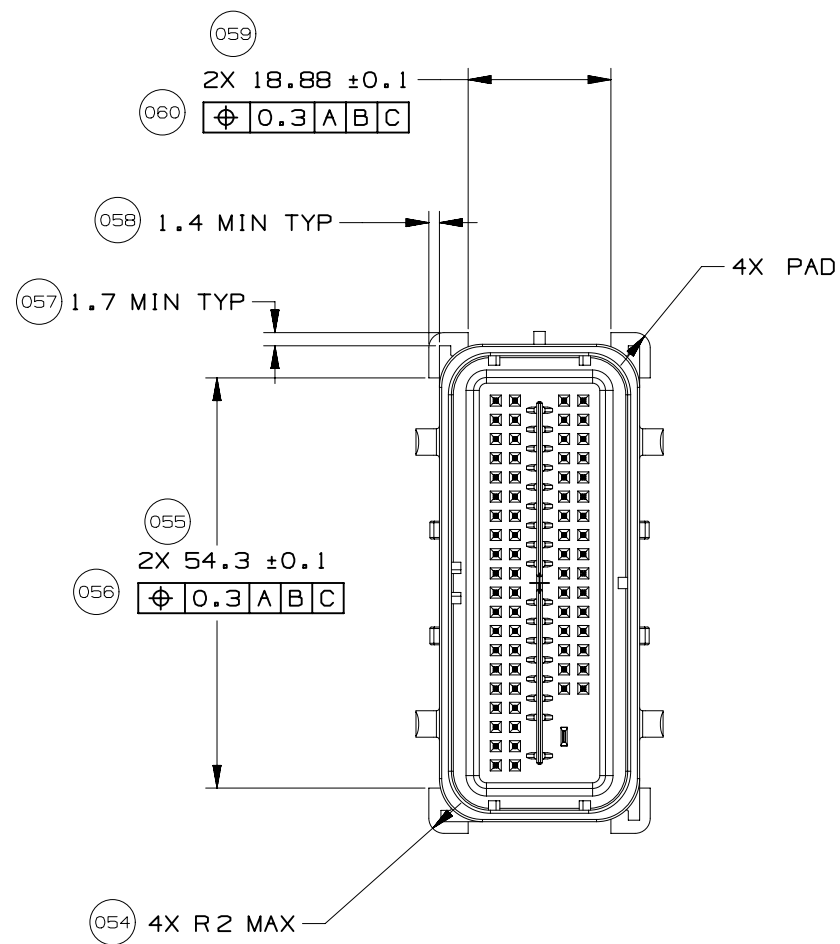
DRAWING NUMBER
12642695

DWG STATUS			PAGE NUMBER
ST	REV	PD1	
R	002		15 OF 21



SECTION F-F

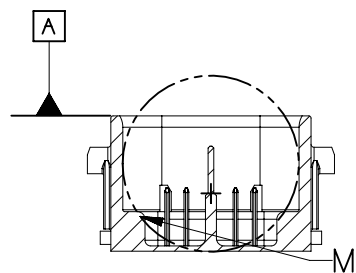
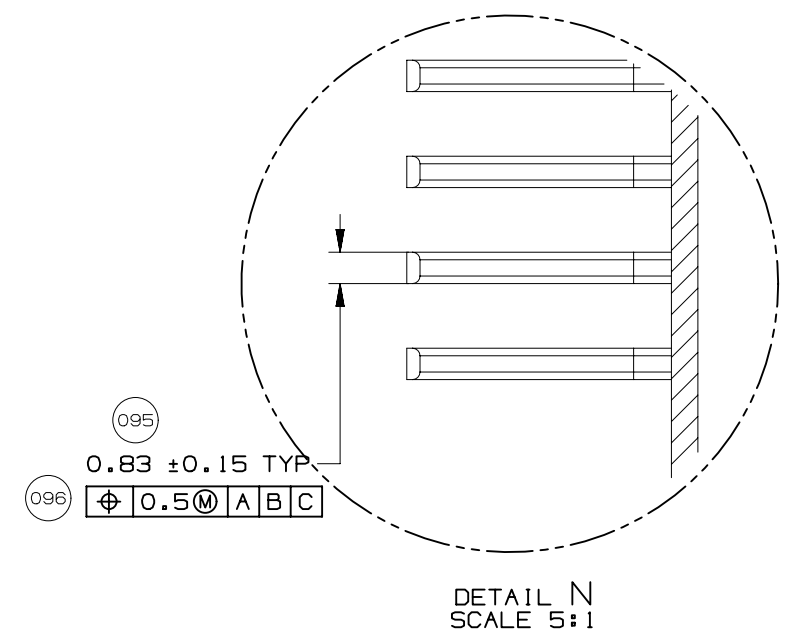
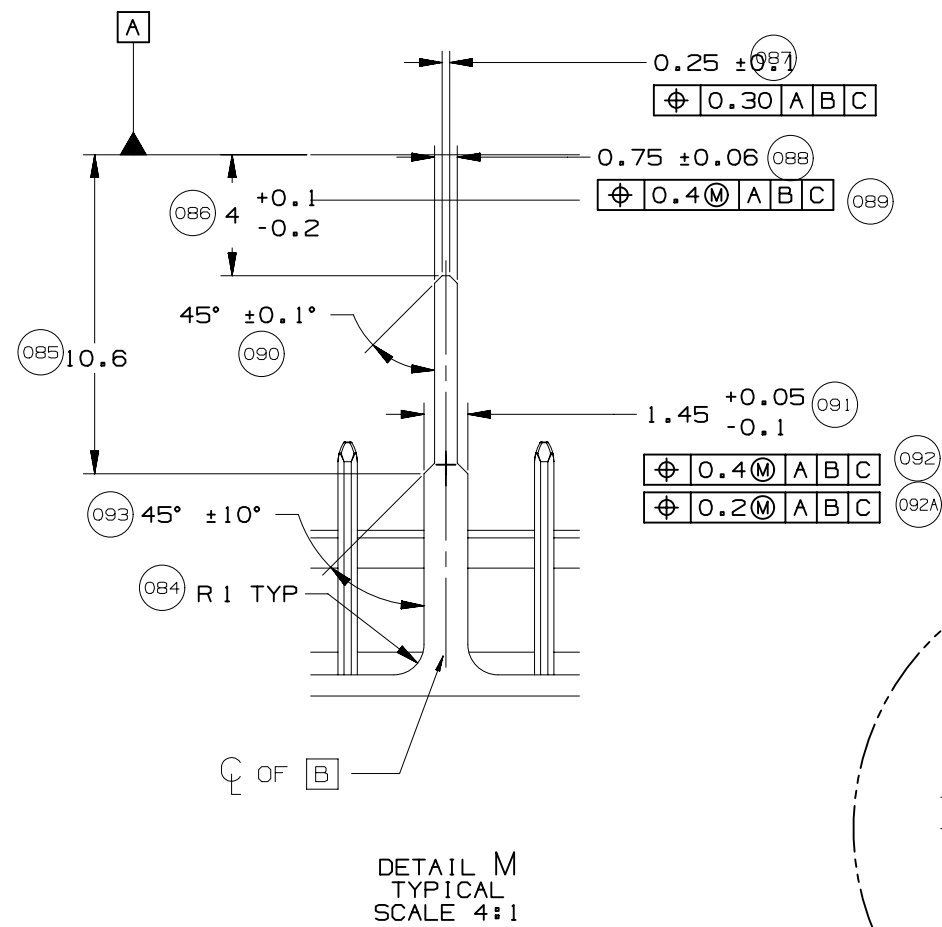
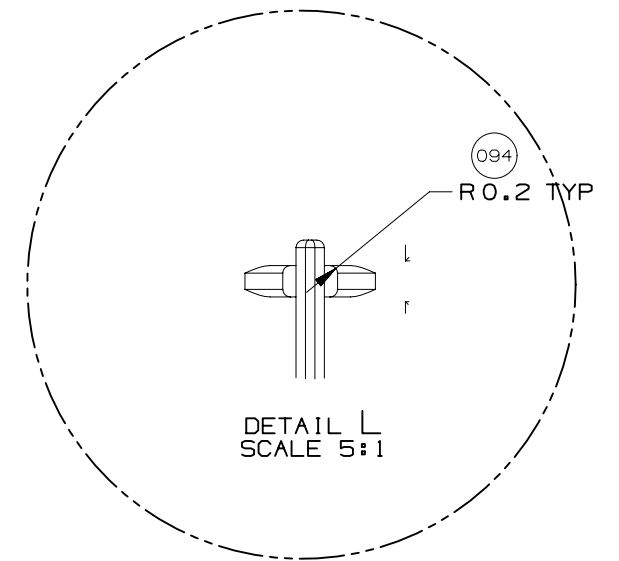
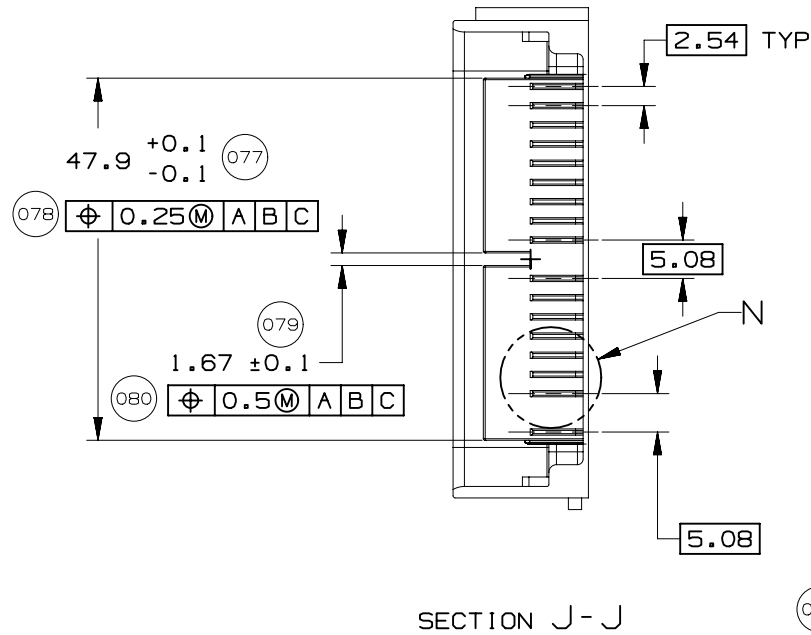
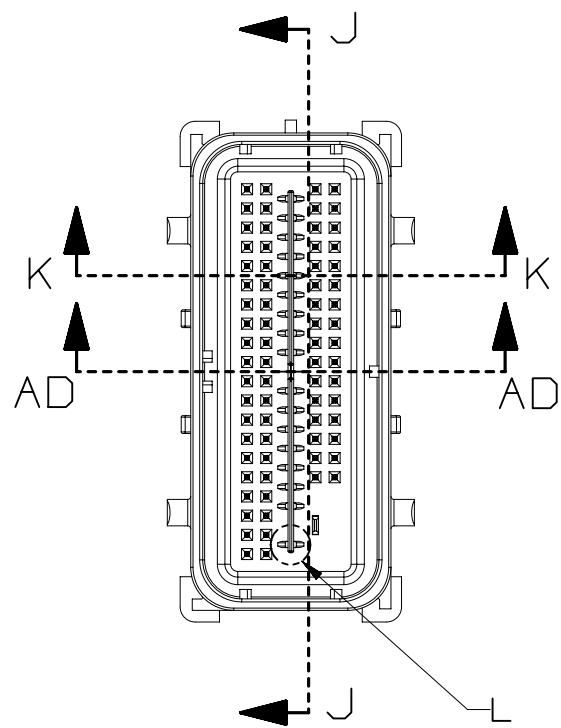




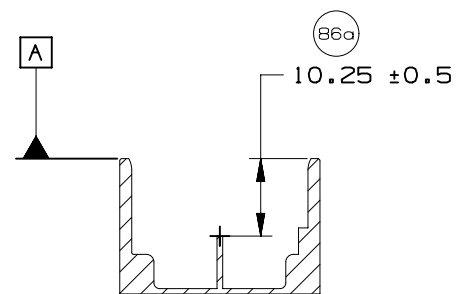
PAGE TITLE
 COMPONENT CONNECTOR INTERFACE

DRAWING NUMBER
 12642695

DWG STATUS			PAGE NUMBER	
ST	REV	PD1		
R	002		17	OF 21

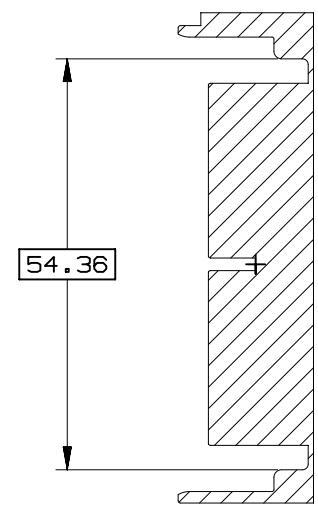
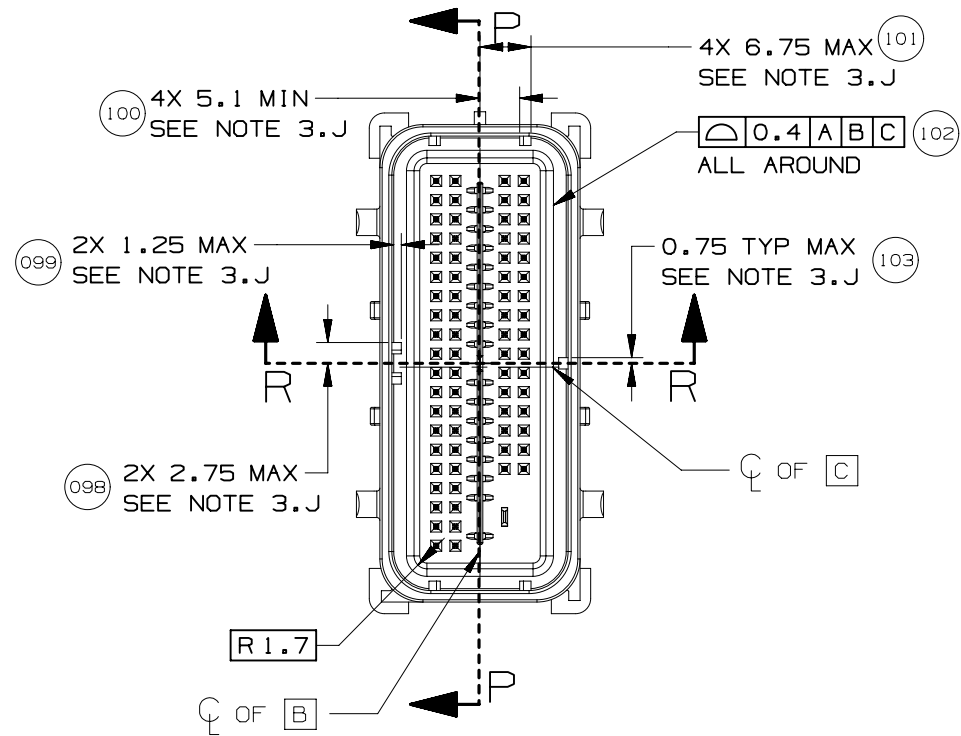


SECTION K-K

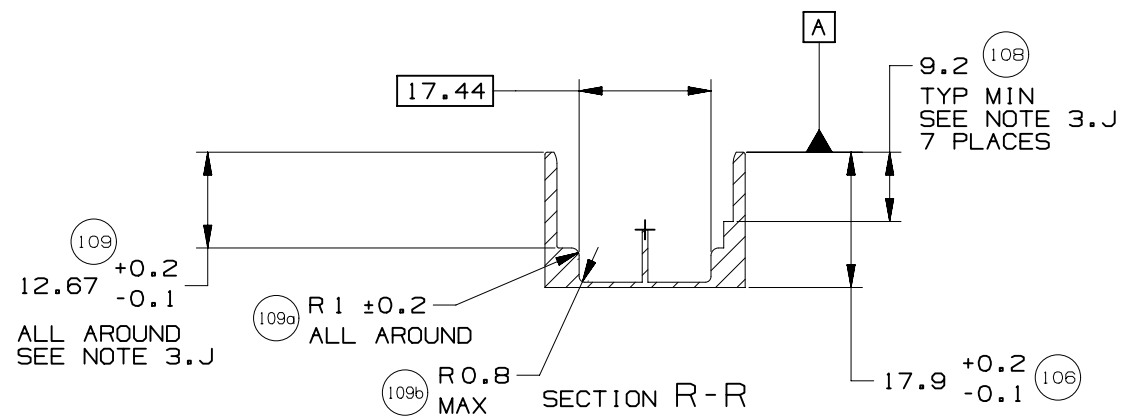


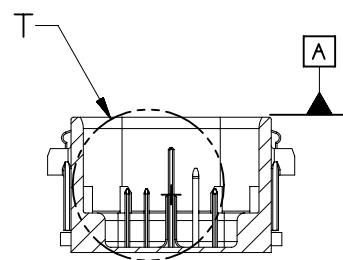
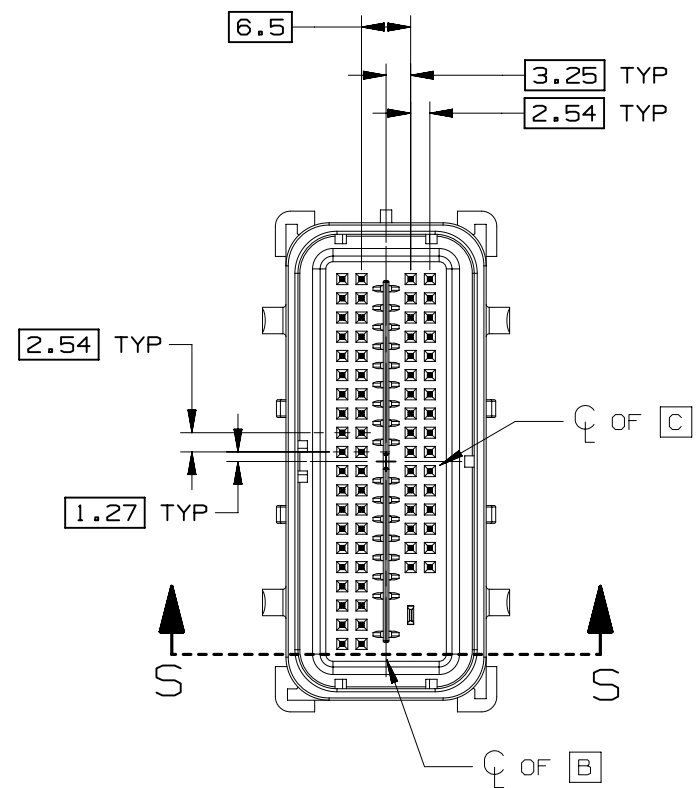
SECTION AD-AD



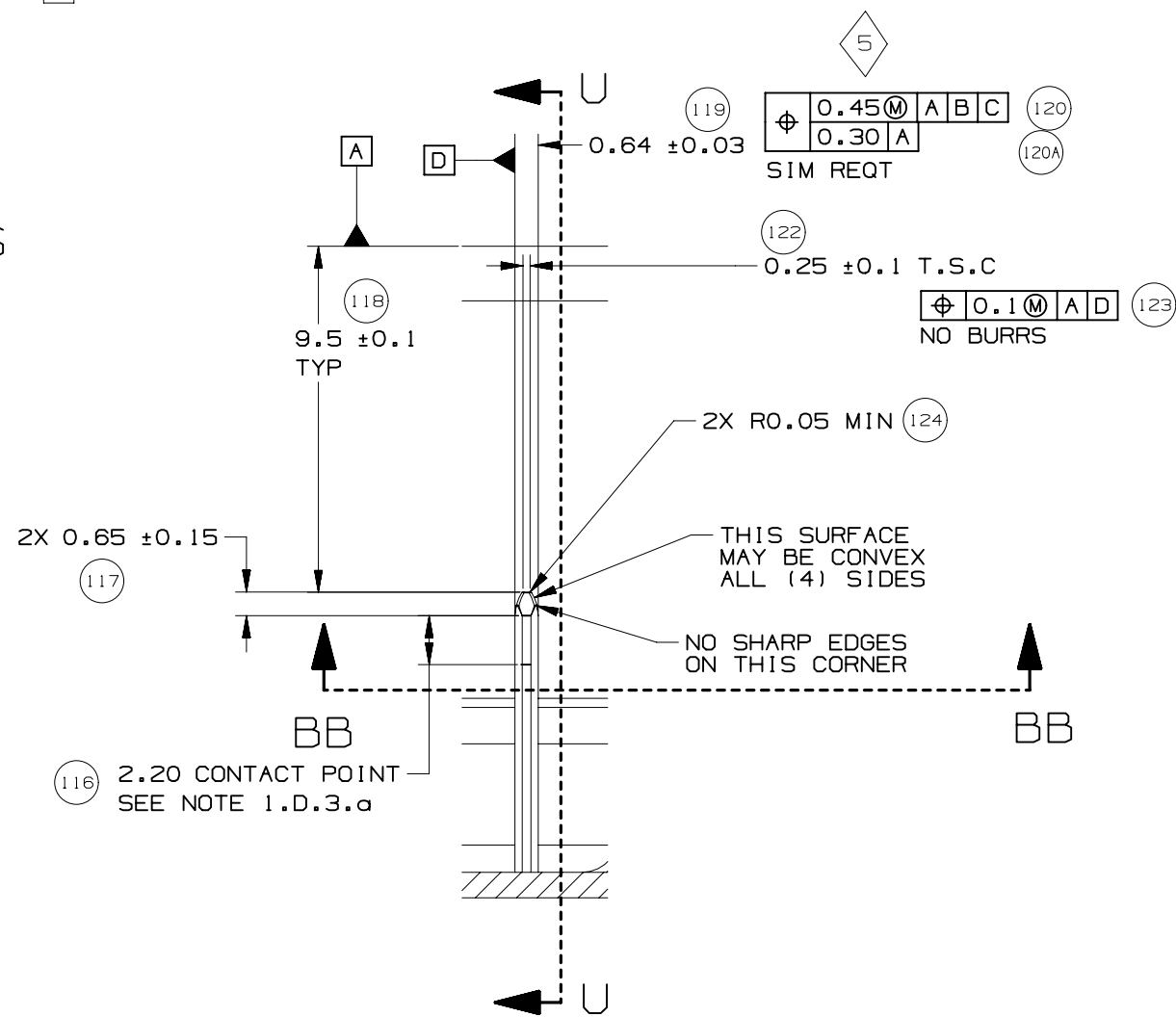


SECTION P-P

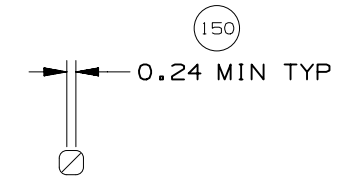




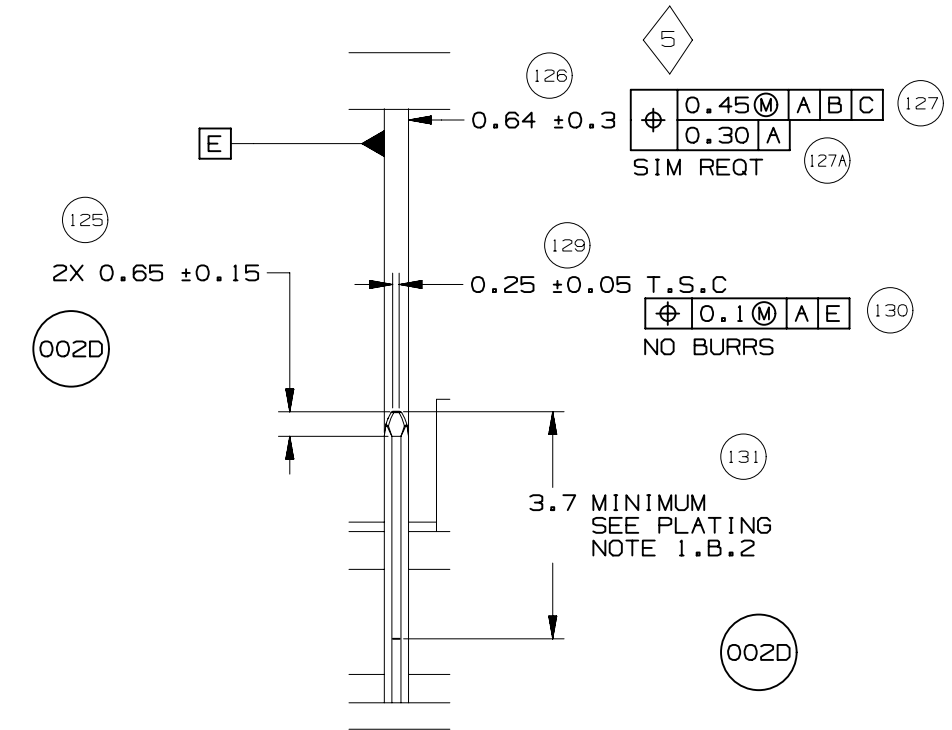
SECTION S-S



DETAIL T
TYPICAL
SCALE 5:1

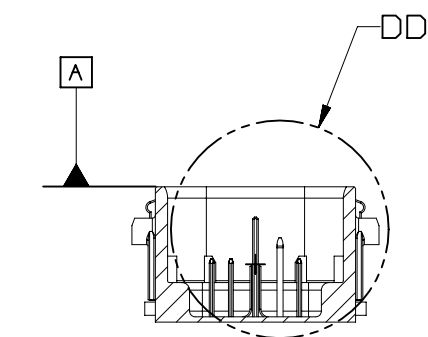
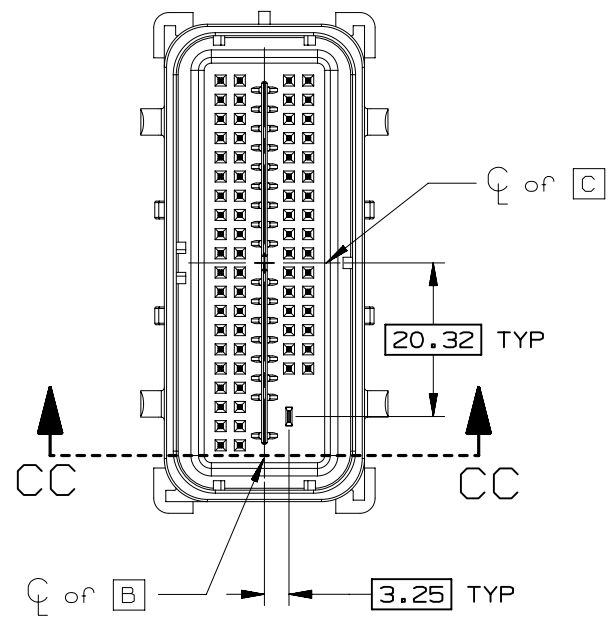


SECTION BB-BB

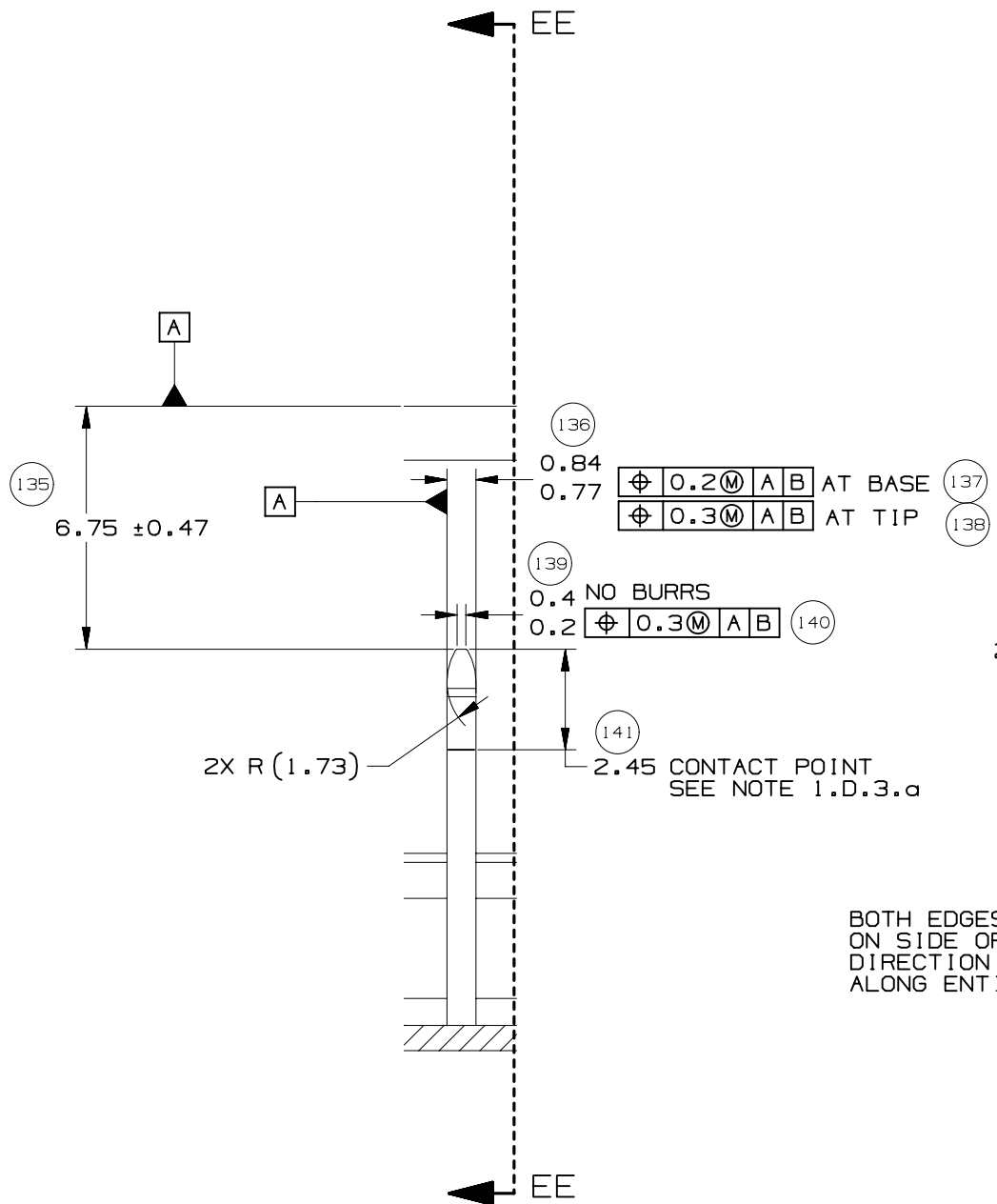


SECTION U-U

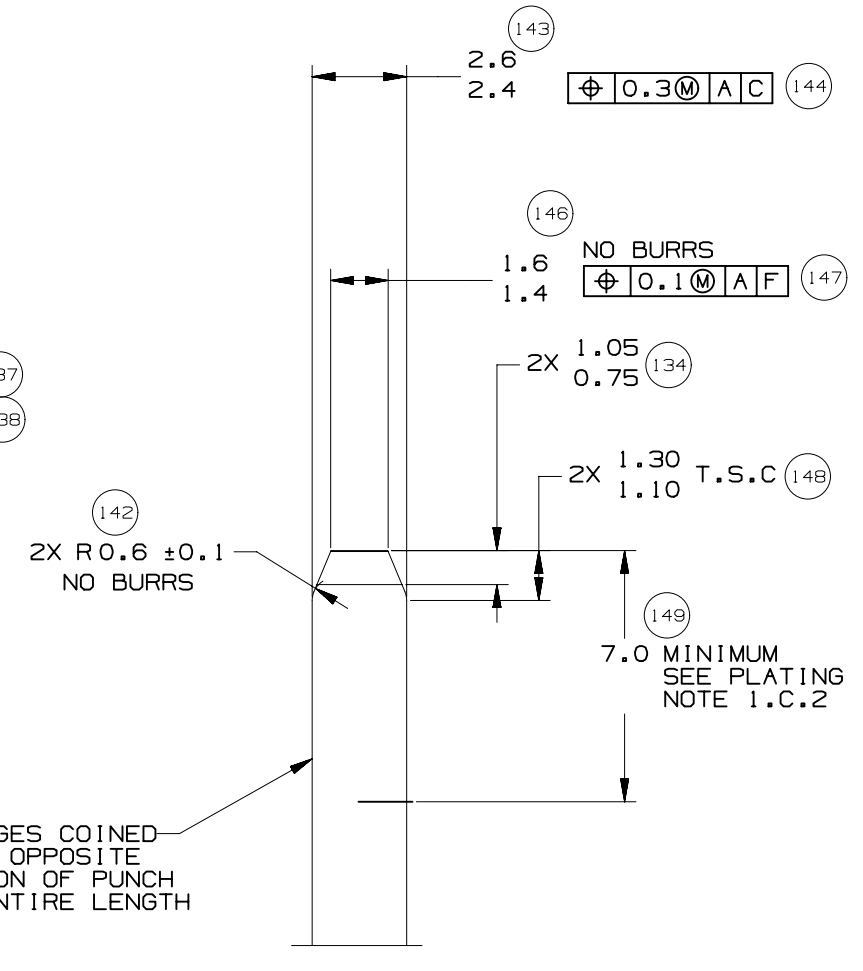




SECTION CC-CC



DETAIL DD
TYPICAL
SCALE 5:1

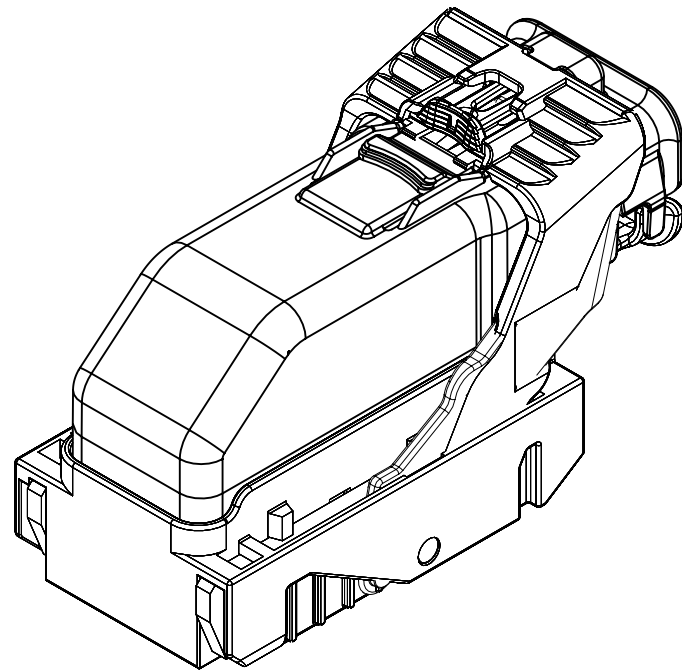


SECTION EE-EE
TYPICAL


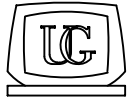
BOTH EDGES COINED
ON SIDE OPPOSITE
DIRECTION OF PUNCH
ALONG ENTIRE LENGTH



INDEX	
PAGE TITLE	PAGE
TITLE BLOCK	1
REVISION BLOCK	2
PART BLOCK	3
KPC BLOCK	4
COMPONENT TABLE	5
NOTES	6
NOTES	7
WIRE DRESS PACKAGING DIMENSIONS	8
LOCATION AND PACKAGING DIMENSIONS REFERENCING INTERFACE DATUMS B & C	9
LOCATION AND PACKAGING DIMENSIONS REFERENCING INTERFACE DATUM A	10
KEY ID REF - WIRE DRESS OPTION 0	11
KEY ID REF - WIRE DRESS OPTION 9	12
CIRCUIT CONFIGURATIONS	13
CIRCUIT CONFIGURATIONS	14
COMPONENT CONNECTOR INTERFACE	15
COMPONENT CONNECTOR INTERFACE	16
COMPONENT CONNECTOR INTERFACE	17
COMPONENT CONNECTOR INTERFACE	18
COMPONENT CONNECTOR INTERFACE	19
COMPONENT CONNECTOR INTERFACE	20
COMPONENT CONNECTOR INTERFACE	21




ISO VIEW

	<p>UNLESS OTHERWISE SPECIFIED: THIS DOCUMENT IS IN ACCORDANCE WITH ASME Y14.5M-1994 AS AMMENDED BY THE GM GLOBAL DIMENSIONING AND TOLERANCING ADDENDUM-1997. ALL GEOMETRIC TOLERANCES AND RELATED DATUMS APPLY RFS. RULE #1 (PERFECT FORM AT MMC) DOES NOT APPLY WHEN A RELATIONSHIP BETWEEN FEATURES IS ESTABLISHED BY ORIENTATION OR LOCATION TOLERANCES. SEPARATE POSITION CALLOUTS MAY BE GAGED SEPARATELY REGARDLESS OF DATUM REFERENCES.</p>			DATE						
	 CHANGE RESTRICTED NO MANUAL CHANGES	REFERENCE 12H (MOLEX AUTOMOTIVE)	DRAFTER J SZYMKOWSKI APVD1 D PFAFFINGER APVD2 B BURT APVD3 APVD4 APVD5	22DE05 22DE05 22DE05 						
DO NOT SCALE	DRAWING NAME HARNESS CONN ASM 66/73/80 CKTS									
METRIC DIMENSIONS SHOWN IN MILLIMETERS UNLESS OTHERWISE SPECIFIED	DRAWING NUMBER 12642695		DWG STATUS <table border="1"> <tr> <td>ST</td> <td>REV</td> <td>PD1</td> </tr> <tr> <td>R</td> <td>002</td> <td></td> </tr> </table>		ST	REV	PD1	R	002	
ST	REV	PD1								
R	002									
			PAGE NUMBER 1 OF 21							

PAGE	DWG STATUS					REVISION HISTORY	AUTH	DR	CK	ENG
	DATE	ST	REV	CHG	PDI					
	19DE11	R	001			RELEASED TO PRODUCTION AT DLS A	CRMRJB	SC	MRO	GF
3	08MY15	R	002	A		REORDERED PART BLOCK AND ADDED MASS CORRECTED P/N TYPO FROM 12562676 TO 12582676				
3, 5		R	002	B		ADDED 12659312, 12659313, 12653574 AND 12653575				
6		R	002	C		REMOVED NOTE 1 . D . 3 . C				
20		R	002	D		DIM 125 WAS 3.25 DIM 131 WAS 5.5	CRMRJD	DFK	MRO	GF

PAGE	DWG STATUS					REVISION HISTORY	AUTH	DR	CK	ENG
	DATE	ST	REV	CHG	PDI					

	PAGE TITLE	DRAWING NUMBER	DWG STATUS			PAGE NUMBER	
	REVISION BLOCK		12642695	ST	REV	PDI	2 OF 21
				R	002		

KEY PRODUCT CHARACTERISTICS
(IN ACCORDANCE WITH QN 1805 OR ON 1050)



SAFETY/COMPLIANCE

TOTAL ON
DRAWING

5



FIT/FUNCTION

LAST NO.
USED

5

NO	TYPE	DESCRIPTION	RATIONALE	PAGE/ZONE
1	F/F	32.68	IMPROVE CONNECTOR SYSTEM MATING	15
2	F/F	29.00	INSURE PROPER RELEASE OF LEVER	15
3	F/F	15.25	INSURE FINAL MATE POSITION	16
5	F/F	POSITIONAL TOLERANCE (2 PLACES)	INSURE CONNECTOR SYSTEM MATEABILITY	19



PAGE TITLE
KPC BLOCK

DRAWING NUMBER

12642695

DWG STATUS

ST	REV	PD1
----	-----	-----

R	002	
---	-----	--

PAGE NUMBER

4 OF 21

LINE	MFG.	MFG. P/N	GM P/N	EFFECTIVE DATE	APPLICABLE COMPONENTS	KEY OPTION	WIRE DRESS OPTION	KEY CONFIG.	COLOR	STATUS
					DESCRIPTION					
-										
1	MOLEX	34565-0003	12582676	02JN03	MX123 DRESS COVER 66/73/80 CKT	N/A	N/A	N/A	BLACK	AVAILABLE
2	MOLEX	34822-0013	12642692	01SP13	MX123 HRNS CONN ASSY 66 CKT	A	0	1458	BLACK	AVAILABLE
3	MOLEX	34822-0033	12659312	01SP13	MX123 HRNS CONN ASSY 66 CKT	C	0	2467	BLUE	AVAILABLE
4	MOLEX	34822-0023	12642693	01SP13	MX123 HRNS CONN ASSY 66 CKT	A	9	1458	BLACK	AVAILABLE
5	MOLEX	34822-0043	12659313	01SP13	MX123 HRNS CONN ASSY 66 CKT	C	9	2467	BLUE	AVAILABLE
6	MOLEX	34566-0103	12582677	11JN04	MX123 HRNS CONN ASSY 73 CKT	A	0	1458	BLACK	AVAILABLE
7	MOLEX	34566-0203	12582678	11JN04	MX123 HRNS CONN ASSY 73 CKT	B	0	1468	ST GRAY	AVAILABLE
8	MOLEX	34566-0303	12615654	09AP08	MX123 HRNS CONN ASSY 73 CKT	C	0	2467	BLUE	AVAILABLE
9	MOLEX	34566-0403	12647268	T.B.D	MX123 HRNS CONN ASSY 73 CKT	D	0	2367	BROWN	NOT ACTIVE
10	MOLEX	34566-0503	AMJ28633	T.B.D	MX123 HRNS CONN ASSY 73 CKT	E	0	2468	GREEN	NOT ACTIVE
11	MOLEX	34566-0603	12653574	05DC14	MX123 HRNS CONN ASSY 73 CKT	F	0	1357	NATURAL	AVAILABLE
12	MOLEX	34566-0703	12588057	09AP08	MX123 HRNS CONN ASSY 80 CKT	G	0	1358	BLUE	AVAILABLE
13	MOLEX	34566-0803	12588058	11JN04	MX123 HRNS CONN ASSY 80 CKT	H	0	2458	ST GRAY	AVAILABLE
14	MOLEX	34566-0903	12615656	T.B.D	MX123 HRNS CONN ASSY 80 CKT	J	0	2457	BLACK	NOT ACTIVE
15	MOLEX	34566-1003	AMJ28595	T.B.D	MX123 HRNS CONN ASSY 80 CKT	K	0	2357	BROWN	NOT ACTIVE
16	MOLEX	34566-1103	AMJ29057	T.B.D	MX123 HRNS CONN ASSY 80 CKT	L	0	2368	GREEN	NOT ACTIVE
17	MOLEX	34566-1203	AMJ28669	T.B.D	MX123 HRNS CONN ASSY 80 CKT	M	0	2358	NATURAL	NOT ACTIVE
18	MOLEX	34566-1303	12603596	11JN04	MX123 HRNS CONN ASSY 73 CKT	A	9	1458	BLACK	AVAILABLE
19	MOLEX	34566-1403	12603597	11JN04	MX123 HRNS CONN ASSY 73 CKT	B	9	1468	ST GRAY	AVAILABLE
20	MOLEX	34566-1503	12615655	09AP08	MX123 HRNS CONN ASSY 73 CKT	C	9	2467	BLUE	AVAILABLE
21	MOLEX	34566-1603	12647269	T.B.D	MX123 HRNS CONN ASSY 73 CKT	D	9	2367	BROWN	NOT ACTIVE
22	MOLEX	34566-1703	AMJ28698	T.B.D	MX123 HRNS CONN ASSY 73 CKT	E	9	2468	GREEN	NOT ACTIVE
23	MOLEX	34566-1803	12653575	05DC14	MX123 HRNS CONN ASSY 73 CKT	F	9	1357	NATURAL	AVAILABLE
24	MOLEX	34566-1903	12603598	09AP08	MX123 HRNS CONN ASSY 80 CKT	G	9	1358	BLUE	AVAILABLE
25	MOLEX	34566-2003	12603599	11JN04	MX123 HRNS CONN ASSY 80 CKT	H	9	2458	ST GRAY	AVAILABLE
26	MOLEX	34566-2103	12615657	T.B.D	MX123 HRNS CONN ASSY 80 CKT	J	9	2457	BLACK	NOT ACTIVE
27	MOLEX	34566-2203	AMJ29117	T.B.D	MX123 HRNS CONN ASSY 80 CKT	K	9	2357	BROWN	NOT ACTIVE
28	MOLEX	34566-2303	AMJ29136	T.B.D	MX123 HRNS CONN ASSY 80 CKT	L	9	2368	GREEN	NOT ACTIVE
29	MOLEX	34566-2403	AMJ29214	T.B.D	MX123 HRNS CONN ASSY 80 CKT	M	9	2358	NATURAL	NOT ACTIVE
30	MOLEX	34736-2002	12642697	01AU10	MX64 RCPT TERM Ag 18/20 GAGE B (RIGHT PAYOFF)	N/A	N/A	N/A	N/A	AVAILABLE
31	MOLEX	34736-2001	12642696	01AU10	MX64 RCPT TERM Ag 22 GAGE B (RIGHT PAYOFF)	N/A	N/A	N/A	N/A	AVAILABLE
32	MOLEX	34586-0001	T.B.D.	11JN04	MX123 0.64MM GROMMET PLUG	N/A	N/A	N/A	NATURAL	AVAILABLE
33	YAZAKI	7116-4150-02	12588066	02JN03	2.8mm YESC SEALED FEMALE TERMINAL TIN 20/22 GAGE (CABLE RANGE 0.30mm-0.60mm)	N/A	N/A	N/A	N/A	NOT ACTIVE
34	YAZAKI	7116-4151-02	12588067	02JN03	2.8mm YESC SEALED FEMALE TERMINAL TIN 16/18 GAGE (CABLE RANGE 0.75mm-1.40mm)	N/A	N/A	N/A	N/A	NOT ACTIVE
35	YAZAKI	7116-4152-02	12582685	02JN03	2.8mm YESC SEALED FEMALE TERMINAL TIN 14 GAGE (CABLE RANGE 1.50mm-2.50mm)	N/A	N/A	N/A	N/A	AVAILABLE
36	YAZAKI	7158-3111-60	12588068	02JN03	2.8mm CABLE SEAL (wire O.D. range 1.20mm-1.90mm)	N/A	N/A	N/A	GREEN	NOT ACTIVE
37	YAZAKI	7158-3112-70	12588069	02JN03	2.8mm CABLE SEAL (wire O.D. range 1.80mm-2.30mm)	N/A	N/A	N/A	YELLOW	NOT ACTIVE
38	YAZAKI	7158-3113-40	12582686	02JN03	2.8mm CABLE SEAL (wire O.D. range 2.18mm-3.00mm)	N/A	N/A	N/A	WHITE	AVAILABLE
39	YAZAKI	7158-3114-90	T.B.D	02JN03	2.8mm YESC CAVITY PLUG	N/A	N/A	N/A	BLUE	AVAILABLE
40	MOLEX	63811-4200	XX019825	02JN03	MX64 TERM HAND CRIMP TOOL	N/A	N/A	N/A	N/A	AVAILABLE
41	MOLEX	63813-1400	XX019826	02JN03	MX64 TERM SERVICE TOOL	N/A	N/A	N/A	N/A	AVAILABLE
42	MOLEX	63865-8000	XX019827	02JN03	MX64 CRIMP APPLICATOR with TOOL KIT 18/20 GAGE PAYOFF DIRECTION D (left payoff) (contact Molex for payoff detail)	N/A	N/A	N/A	N/A	AVAILABLE
43	MOLEX	63865-8070	XX019828	02JN03	MX64 APPLICATOR TOOL KIT 18/20 GAGE	N/A	N/A	N/A	N/A	AVAILABLE
44	MOLEX	63865-8100	XX019829	02JN03	MX64 CRIMP APPLICATOR with TOOL KIT 22 GAGE PAYOFF DIRECTION D (left payoff) (contact Molex for payoff detail)	N/A	N/A	N/A	N/A	AVAILABLE
45	MOLEX	63865-8170	XX019830	02JN03	MX64 APPLICATOR TOOL KIT 22 GAGE	N/A	N/A	N/A	N/A	AVAILABLE
46	SPX	J35616-64	T.B.D.	02JN03	0.64mm PROBE TOOL (for rcpt)	N/A	N/A	N/A	N/A	AVAILABLE
47	SPX	J35616-64A	T.B.D.	02JN03	0.64mm PROBE TOOL WITH EXT (for rcpt)	N/A	N/A	N/A	N/A	AVAILABLE
48	SPX	J35616-65	T.B.D.	02JN03	0.64mm PROBE TOOL WITH EXT (for pin)	N/A	N/A	N/A	N/A	AVAILABLE
49	SPX	J35616-4A	T.B.D.	02JN03	2.8mm PROBE TOOL (for rcpt)	N/A	N/A	N/A	N/A	AVAILABLE
50	YAZAKI	X39899-J374	12094430	02JN03	2.8mm TERM SERVICE TOOL	N/A	N/A	N/A	N/A	AVAILABLE

002B

* - MX123 DRESS COVER 73/80/66 CKT MATES TO ANY MX123 HARN CONN ASSY SHOWN ON TABLE ABOVE



PAGE TITLE
COMPONENT TABLE

DRAWING NUMBER

12642695

DWG STATUS

ST	REV	PD1
R	002	

PAGE NUMBER

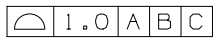
5 OF 21

NOTES: UNLESS OTHERWISE SPECIFIED

1. MATERIAL FOR INTERFACE:

- A. RESIN:
 - 1. 30% G.F. PBT; 20% MAX. (BY WEIGHT) REGRIND.
 - 2. MATING CONNECTOR INTERFACE PART COLOR MUST BE SAME AS MATCHING KEYED HARNESS CONNECTOR ASSEMBLY.
 - 3. MUST BE VALIDATED FOR INDIVIDUAL DEVICE APPLICATION REQUIREMENTS.
- B. 0.64MM PINS:
 - 1. BASE MATERIAL: COPPER ALLOY; CONDUCTIVITY >= 28% IACS AT 20°C; TENSILE STRENGTH >= 635 N/mm²; SURFACE ROUGHNESS R_a 6 MAX.
 - 2. PLATING FINISH: SILVER (Ag). PLATING TO BE 1.9-3.3 μm ELECTRODEPOSITED SEMI-BRIGHT SILVER OVER 1.25-2.25 μm DUCTILE SULPHAMATE NICKEL PER NOTE 1(D).
 - 3. ANTI-TARNISH: SYNTHETIC HYDROCARBON CONTACT SURFACE FINISH OR EQUIVALENT APPLIED WITHOUT VOID TO CONTACT AREA (MIN 3.7mm FROM PIN TIP).
- C. 2.8MM BLADE:
 - 1. BASE MATERIAL: COPPER ALLOY; CONDUCTIVITY >= 28% IACS AT 20°C; TENSILE STRENGTH >= 350 N/mm²; SURFACE ROUGHNESS R_a 6 MAX.
 - 2. PLATING FINISH: TIN. PLATING TO BE 2.5-5.0 μm ELECTRODEPOSITED TIN, MATTE FINISH OVER 1.25-2.5 μm DUCTILE SULPHAMATE NICKEL PER NOTE 1(D).
- D. PLATING REQUIREMENTS:
 - 1. SILVER PLATING
 - a. 99.5% PURE SEMI-BRIGHT WITH NO ORGANIC BRIGHTNERS OR CHROMATES.
 - 2. NICKEL PLATING
 - a. ELECTRODEPOSITED DUCTILE SULFAMATE NICKEL WITH A NON-BRIGHTENED FINISH. NO ORGANIC OR BRIGHTENING AGENTS SHALL BE ALLOWED.
 - b. SHALL ONLY BE USED AS AN UNDERLYING PLATING AND MAY NOT BE USED AS AN ELECTRICAL CONTACT SURFACE PLATING.
 - c. SHALL BE NODULE FREE WHEN VIEWED AT 10X MAGNIFICATION IN MEASURED IN CONTACT SURFACE AREA PLUS 0.5MM PERIMETER AROUND THE CONTACT SURFACE AREA.
 - d. ALL PLATINGS SHALL HAVE A 1.0% MAXIMUM BY WEIGHT IMPURITIES. IMPURITIES ARE DEFINED AS ALL ELEMENTS NOT THE PRIMARY PLATING OR HARDENING AGENT IF APPLICABLE, AS DETERMINED BY WET CHEMICAL ANALYSIS OR AUGER METHOD. NO SINGLE IMPURITY SHALL EXCEED 0.1% MAXIMUM BY WEIGHT.
 - 3. TESTING
 - a. THICKNESS TO BE MEASURED IN CONTACT SURFACE AREA PLUS 0.5MM PERIMETER AROUND THE CONTACT SURFACE AREA AS DESIGNATED IN THE DRAWING. THICKNESS SHALL BE DETERMINED BY METHOD OF X-RAY (XRF).
 - b. PLATING ADHESION SHALL BE TESTED BY A BEND TEST FOR ALL METALS. THE TEST SAMPLE SHALL BE BENT 90 DEGREES TO DETERMINE DEPOSIT ADHESION. TESTING SHALL BE COMPLETED IN ACCORDANCE WITH ASTM SPEC B571.


2. DESIGN - GENERAL:

- A. THIS IS A 100% CAD GENERATED PART. THE CAD MATHEMATICAL DATA IS THE MASTER FOR THIS PART. FOR DIMENSIONAL OR ANY INFORMATION NOT SHOWN ON THIS DRAWING, ANALYZE THE CAD MODEL.
- B. TOLERANCES:
 - 1. LINEAR
 - 0.X ± 0.30
 - 0.XX ± 0.10
 - 0.XXX ± 0.10
 - 2. ANGULAR X° ± 3°
 - 3. 
- C. MINIMUM WALL THICKNESS REQUIRED: 1.3mm.
- D. CORNERS SHOWN AS SHARP TO BE R 0.2 MAX.
- E. LETTERING SHALL BE 0.15 MAX RAISED IN 0.20 MAX RECESS PAD. THIS INCLUDES MATERIAL CODE, RECYCLING CODE, CAVITY ID AND DATE CODE.
- F-1. PARTS MUST BE FREE OF DISCOLORATION, SALT RESIDUE AND OTHER IMPERFECTIONS THAT AFFECT FIT OR FUNCTION.
- F-2. SCRATCHES OR DENTS NOT TO EXCEED 0.013mm IN DEPTH.
- G. FOLLOWING PRODUCTION CODES TO BE PERMANENTLY MARKED & HUMAN READABLE TO A LETTER HEIGHT OF 1.5 ± 0.5MM X 0.3 MAX DEEP
 - 1. MATERIAL #: XXXXX-XXXX
 - 2. DATE CODE: JJYY (JULIAN DAY, LAST DIGIT OF YEAR)
 - 3. INSPECTION MACHINE CODE + SERIAL #: X_XXXXX

3. DESIGN - MANUFACTURING:

- A. DRAFT TO BE WITHIN TOLERANCE.
- B. ALLOWABLE FLASH MAX 0.2 HIGH X MAX 0.13 THICK.
- C. ALLOWABLE PARTING LINE MISMATCH 0.2 MAX.
- D. EJECTOR PINS MARK TO BE FLUSH TO 0.25 MAX DEPRESSED.
- E. ALLOWABLE GATE VESTIGE FLUSH TO 0.25 MAX PROTRUSION.
- F. NO EXTERNAL MOLD RELEASE AGENT ALLOWED DURING MANUFACTURING.
- G. STEEL THAT FORMS THE INDICATED SURFACE MUST BE POLISHED WITH A DIAMOND FINISH (SPI A-2) OVER THE FULL PERIPHERY OF THE TOOL. SURFACE MUST HAVE NO MISMATCH.
- H. ANY PROCESS LUBRICANT REMAINING ON THE TERMINAL MUST NOT VARNISH OR DEGRADE IT'S ELECTRICAL PERFORMANCE UP TO A MAXIMUM CLASS AMBIENT TEMPERATURE PER SAE USCAR-2 FOR 1008 HOURS. PROCESS LUBRICANTS SHOULD BE APPROVED BY THE RESPONSIBLE ENGINEER.
- J. OPTIONAL FEATURES PROVIDED FOR AUTOMATION.
- K. PART MUST BE FREE FROM BURRS AND SHARP EDGES, WHICH MIGHT BE DETRIMENTAL TO SATISFACTORY ASSEMBLY, SAFE HANDLING OR FUNCTION OF PART.
- L. PARTS AS DELIVERED TO ASSEMBLY SHALL BE CLEAN AND FREE OF DEBRIS, RESIDUAL ABRASIVE MATERIAL AND CORROSION PRODUCTS ADVERESLY AFFECTING FUNCTION OR APPEARANCE.
- M. RESTRICTED AND REPORTABLE SUBSTANCES FOR PARTS PER GMW3059.

002C

	PAGE TITLE	DRAWING NUMBER	DWG STATUS			PAGE NUMBER	
	NOTES		12642695	ST	REV	PDI	6 OF 21
				R	002		

NOTES: UNLESS OTHERWISE SPECIFIED

4. SYSTEM REQUIREMENTS:

A. HARNESS CONNECTOR IS COMPATIBLE WITH THE FOLLOWING SAE WIRE SIZE NO'S:

- 14, MEETING SAE J1128
- 18, MEETING SAE J1128, MAX O.D. OF 2.06 MM
- 20, MEETING SAE J1128
- 22, MEETING SAE J1128, MIN O.D. OF 1.47 MM

B. CABLE TIE SPECIFICATIONS:

- 1. CABLE TIE:
 - TENSILE RATING: 220N / (50lbs) MIN
 - TIE LENGTH: 186mm MIN
 - TIE WIDTH: 4.75mm MAX
 - MATERIAL: NYLON
- 2. INSTALLATION:
 - CABLE TIE TENSION: 190N MIN
- 3. DRESSED WIRE BUNDLE PACKAGING: SEE FIG. 1

C. WHEN MATED WITH COMPONENT CONNECTOR INTERFACE AND/OR DRESS COVER, HARNESS CONNECTOR SYSTEM CONFORMS TO THE FOLLOWING:

- 1. SAE/USCAR-2, REV: 3 APRIL, 2001; CLASS 3
- 2. FIELD CORRELATED LIFE TEST, SAE/USCAR-20, NOV. 2001
- 3. GMW #3191 AUGUST 22, 2000 (DRAFT); TEMPERATURE CLASS 3, SEALING CLASS 1, VIBRATION CLASS 2
- 4. RESTRICTED AND REPORTABLE CHEMICALS PER GMW #3059, REV: D AUGUST 2002
- 5. TPA USER FORCES (FULLY POPULATED WITH TERMINALS)
 - a. REMOVAL FROM LOCK TO PRE-SET: <=120N

D. WIRE SPECIFICATIONS:

- 1. WIRE SURFACE MUST BE FREE OF SCRATCHES, GROOVES OR DENTS WHERE FUNCTIONAL

5. TERMINAL CURRENT RATINGS:

ALL TESTING DONE IN ACCORDANCE WITH USCAR-2 REV5 SECTION 5.3

A. MX64 RCPT TERM

- 1. MX64 RCPT TERM Ag 18/20 GAGE CRIMPED TO SAE WIRE SIZE NO.18 AND MATED TO MX123 0.64MM PIN: 11.3 AMPS
- 2. MX64 RCPT TERM Ag 22 GAGE CRIMPED TO SAE WIRE SIZE NO.22 AND MATED TO MX123 0.64MM PIN:8.5 AMPS

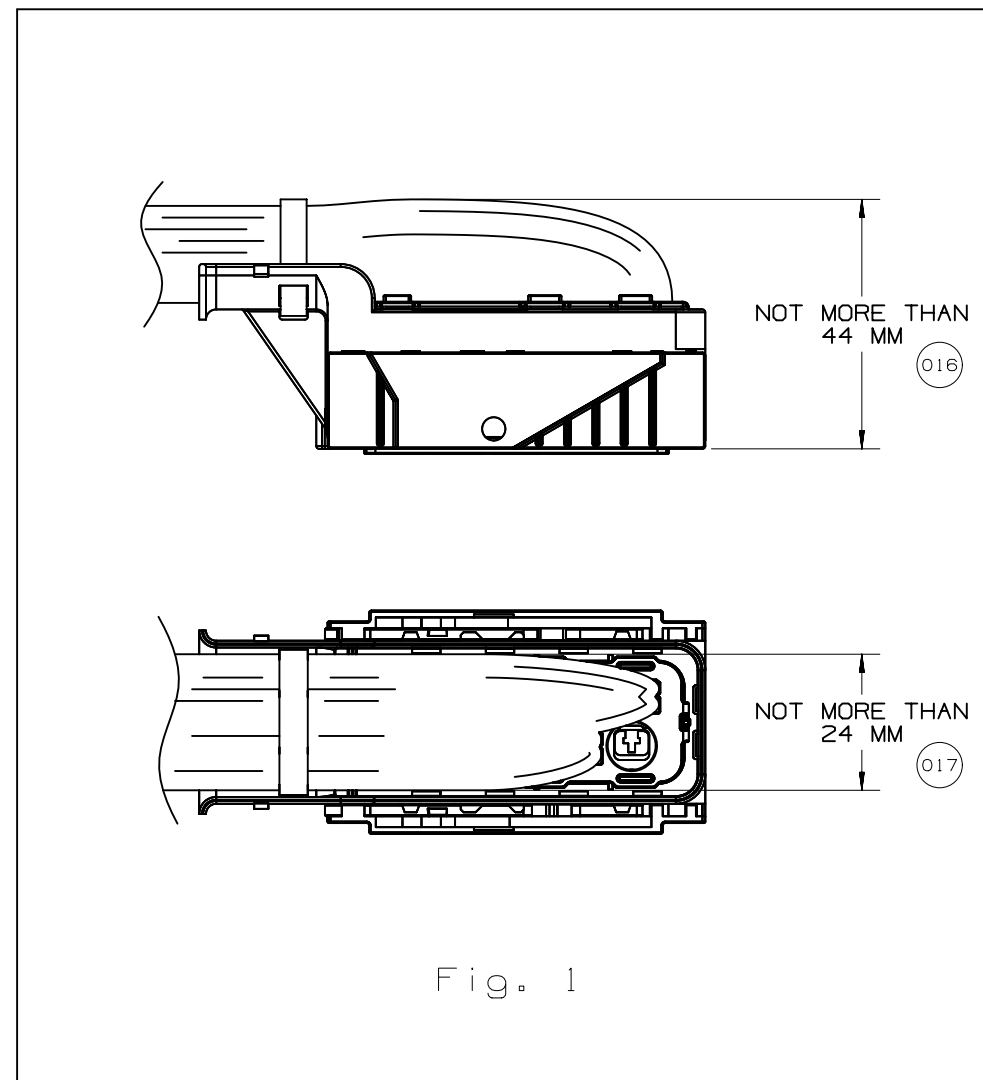
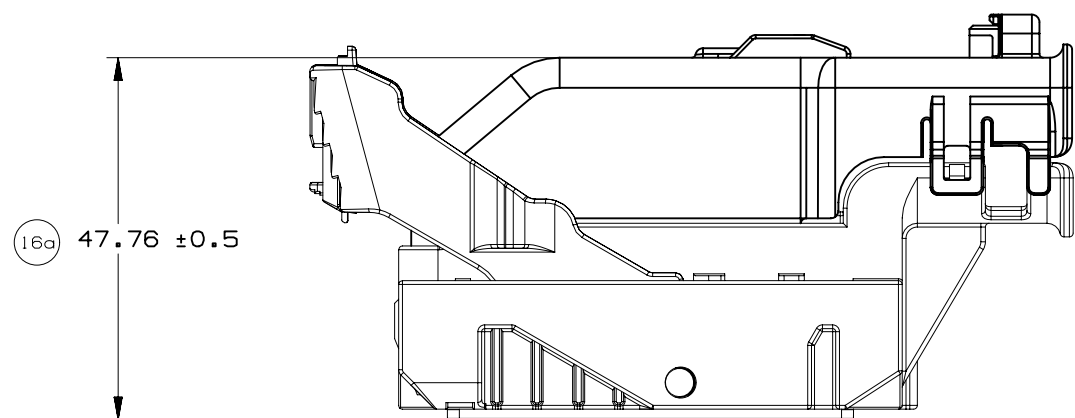
WIRE	CURRENT RATING			
	23°C	85°C	105°C	125°C
18AWG	11.3A	11.3A	9.5A	6.6A
20AWG	10.0A	10.0A	8.3A	5.7A
22AWG	8.6A	8.6A	7.1A	5.0A

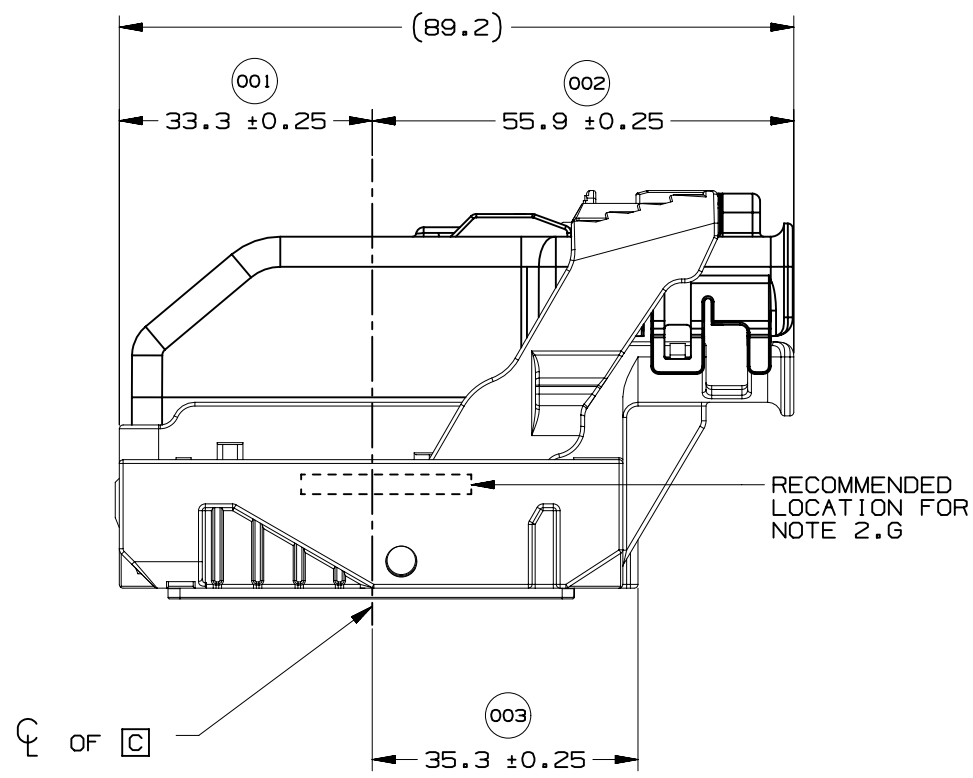
B. 2.8MM RCPT TERM

- 1. 2.8MM RCPT TERM TIN 14 GAGE CRIMPED TO SAE WIRE SIZE NO.14 AND MATED TO MX123 2.8MM BLADE: 25.6 AMPS

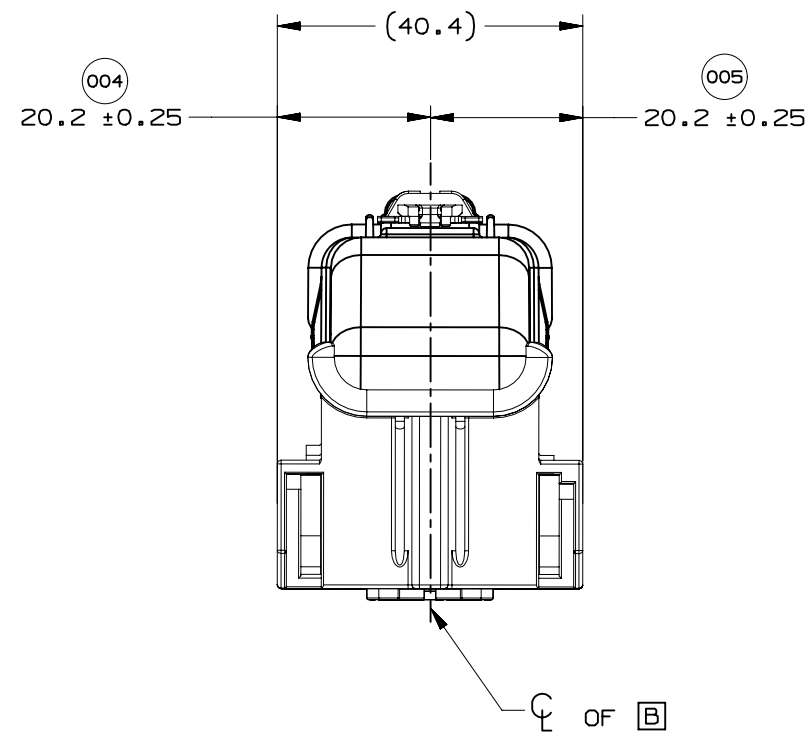
6. CONTACT MOLEX AUTOMOTIVE FOR AVAILABLE CUSTOM PATTERNS OF CAVITIES OPEN FOR CIRCUITS



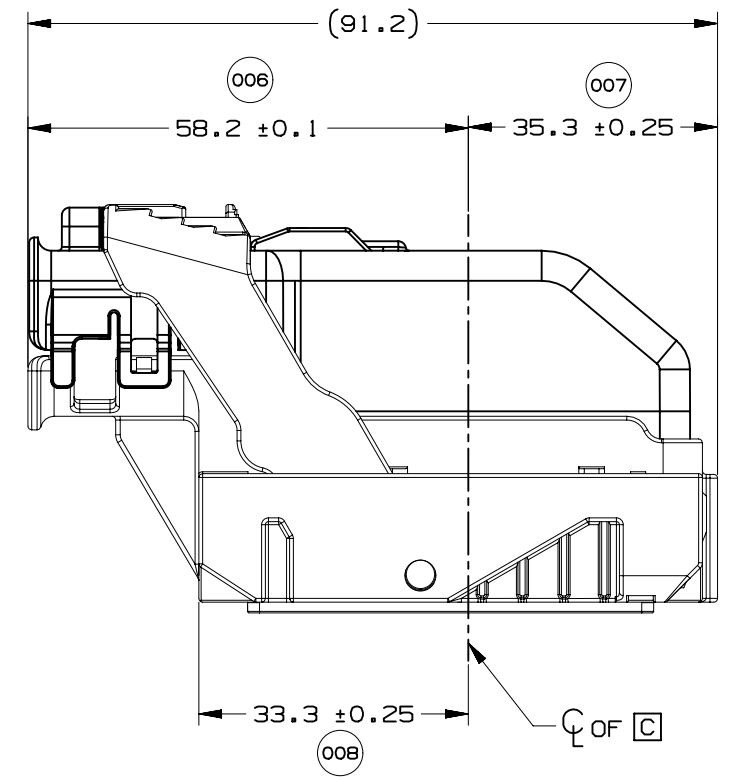




WIRE DRESS OPTION 0 SHOWN

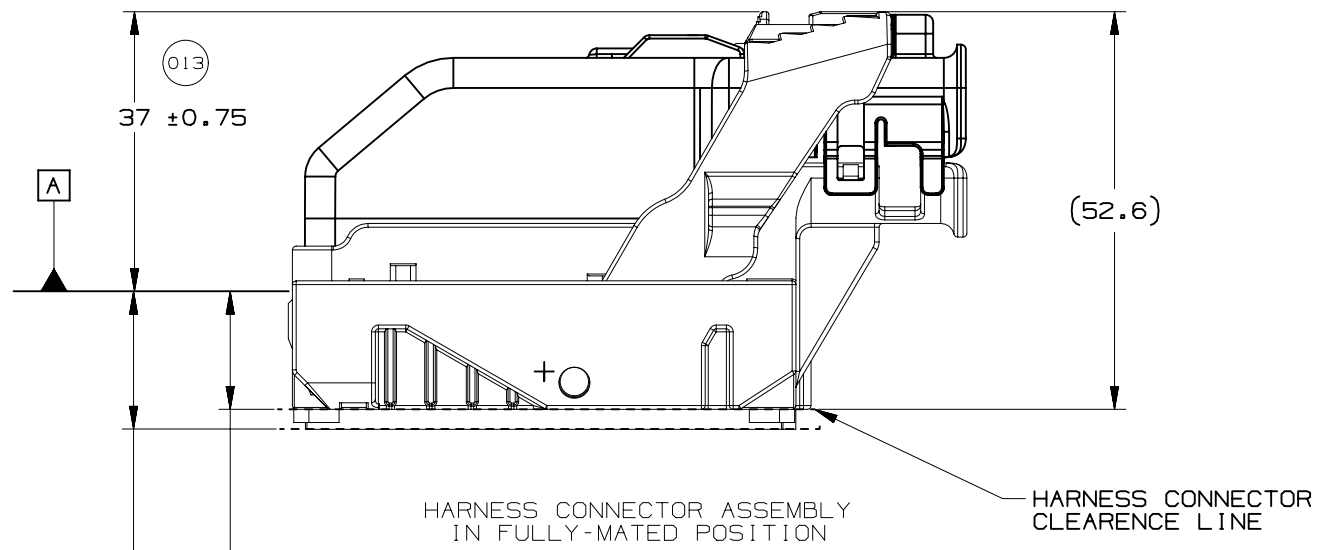
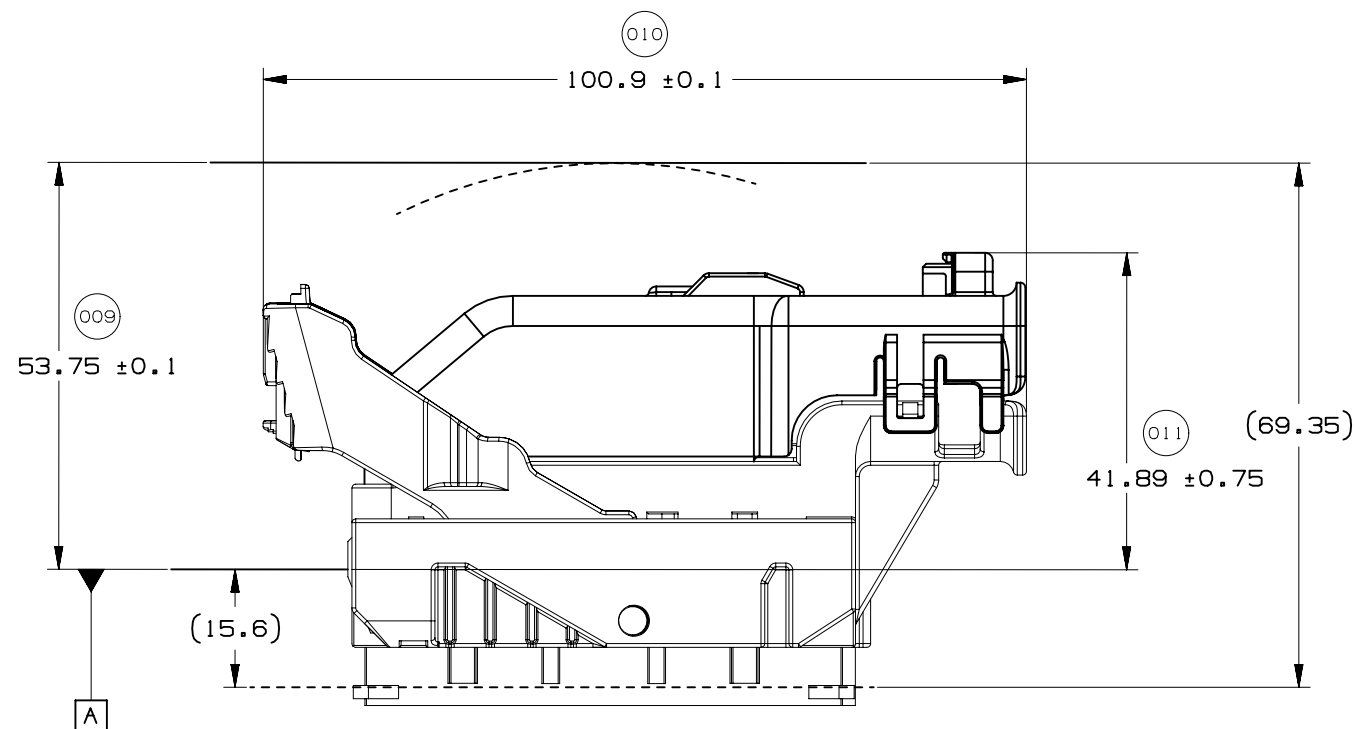
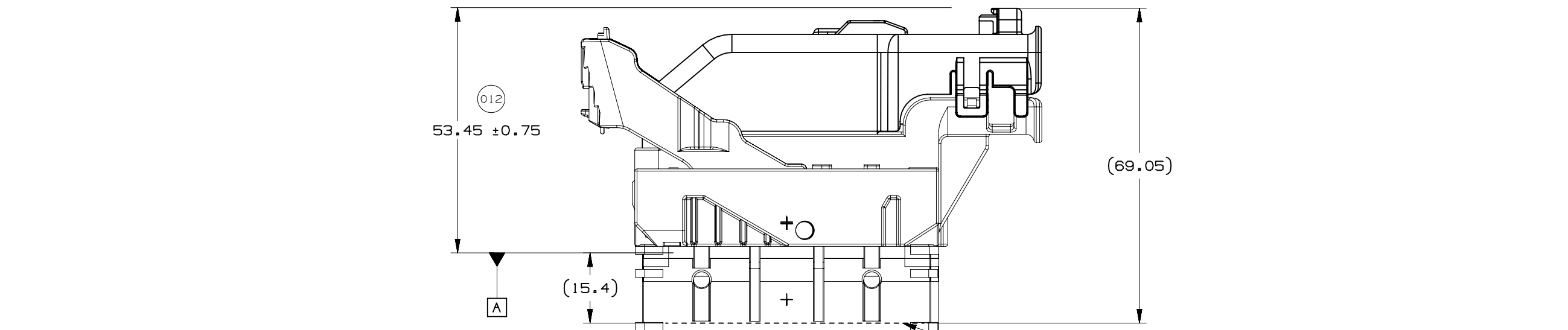


WIRE DRESS OPTION 0 SHOWN



WIRE DRESS OPTION 9 SHOWN





17.9 MIN. AT PAD LOCATION
 CLEARANCE REQUIRED
 FOR HARNESS CONNECTOR
 CONSTRUCTION BELOW THIS
 PLANE IS NOT CONTROLLED

015

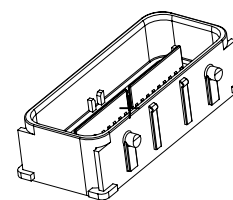
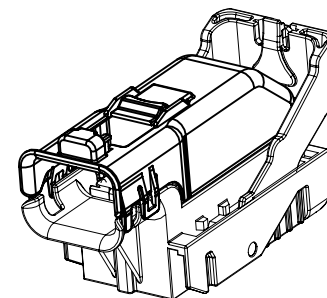
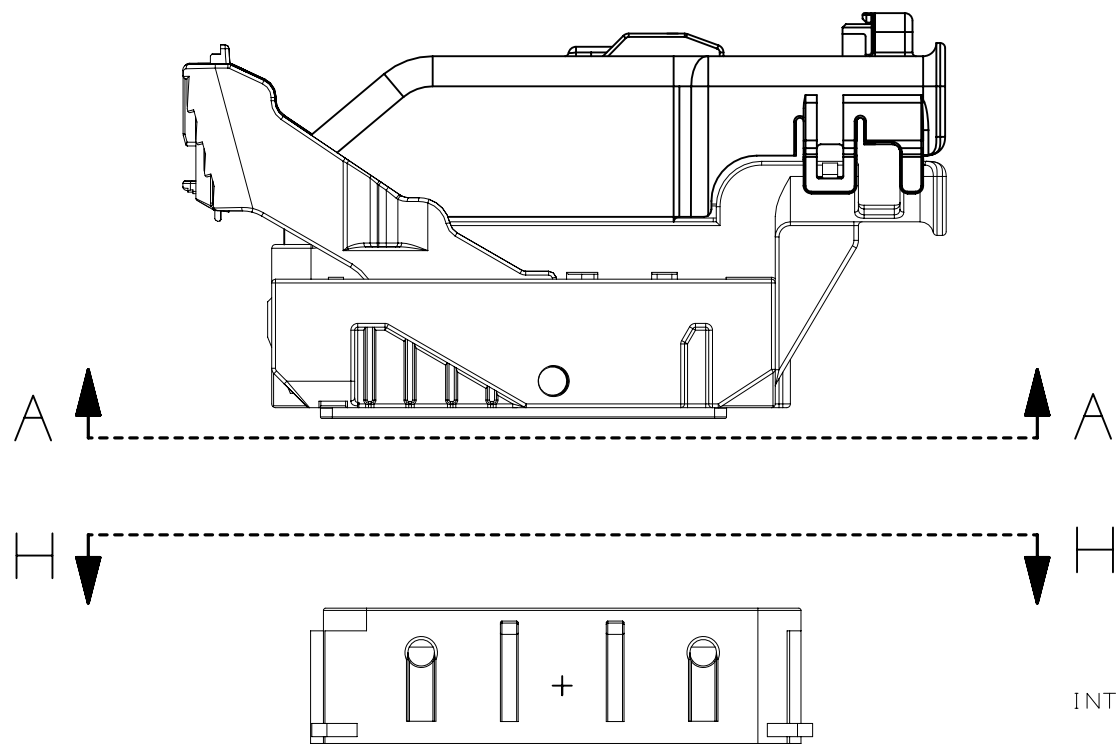


PAGE TITLE
 LOCATION AND PACKAGING DIMENSIONS
 REFERENCING INTERFACE DATUM A

DRAWING NUMBER
 12642695

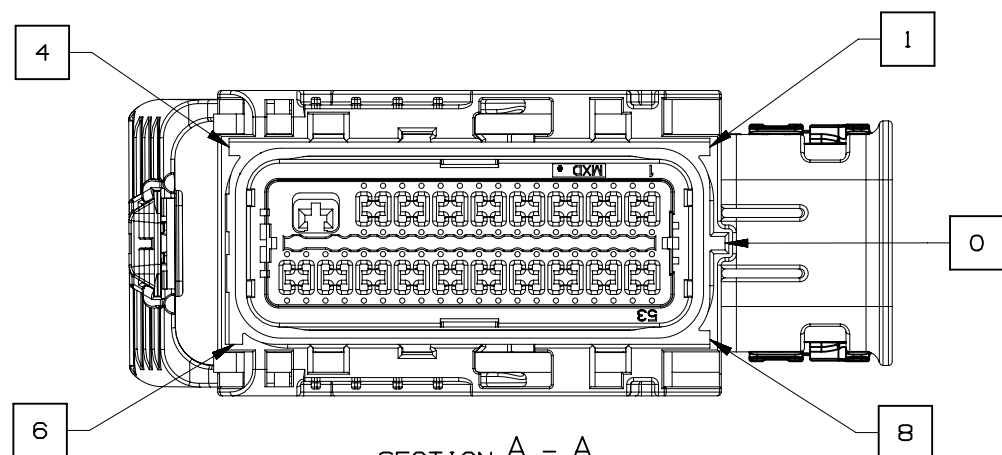
DWG STATUS		
ST	REV	PD1
R	002	

PAGE NUMBER
 10 OF 21

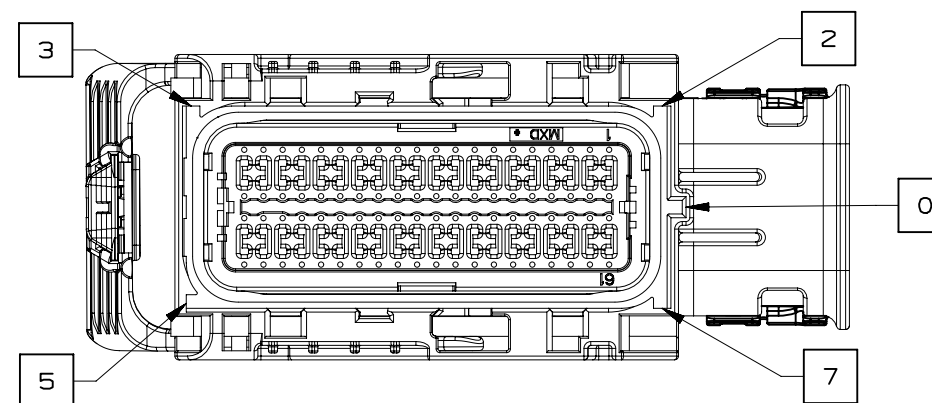


NOTE: REFERENCE THE COMPONENT TABLE FOR KEY OPTIONS AND CONFIGURATIONS

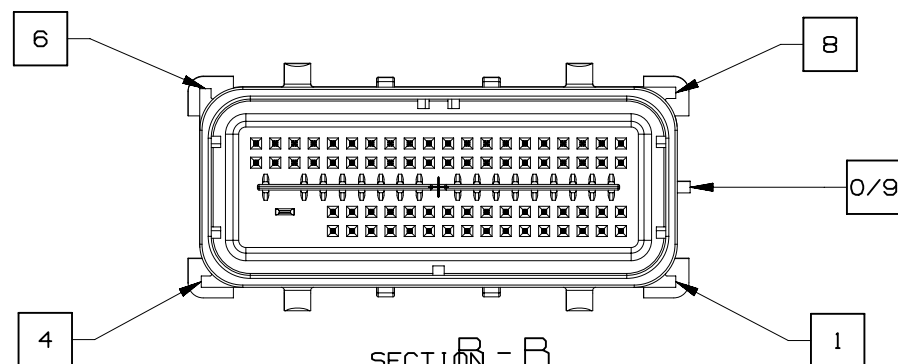
INTERFACE SIDE SHOWN ON ALL SECTION VIEWS



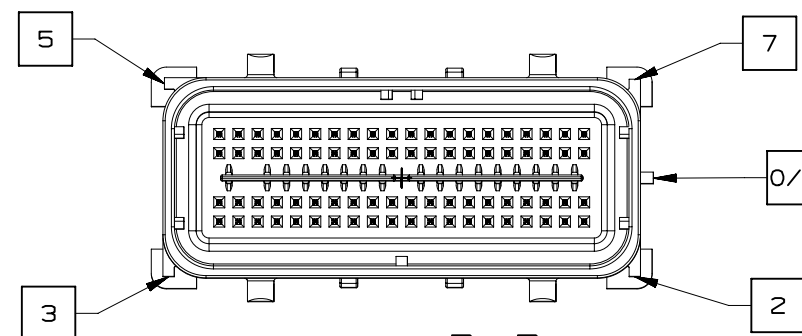
SECTION A - A
KEY OPTION B SHOWN



SECTION A - A
KEY OPTION K SHOWN



SECTION B - B
KEY OPTION B SHOWN



SECTION B - B
KEY OPTION K SHOWN

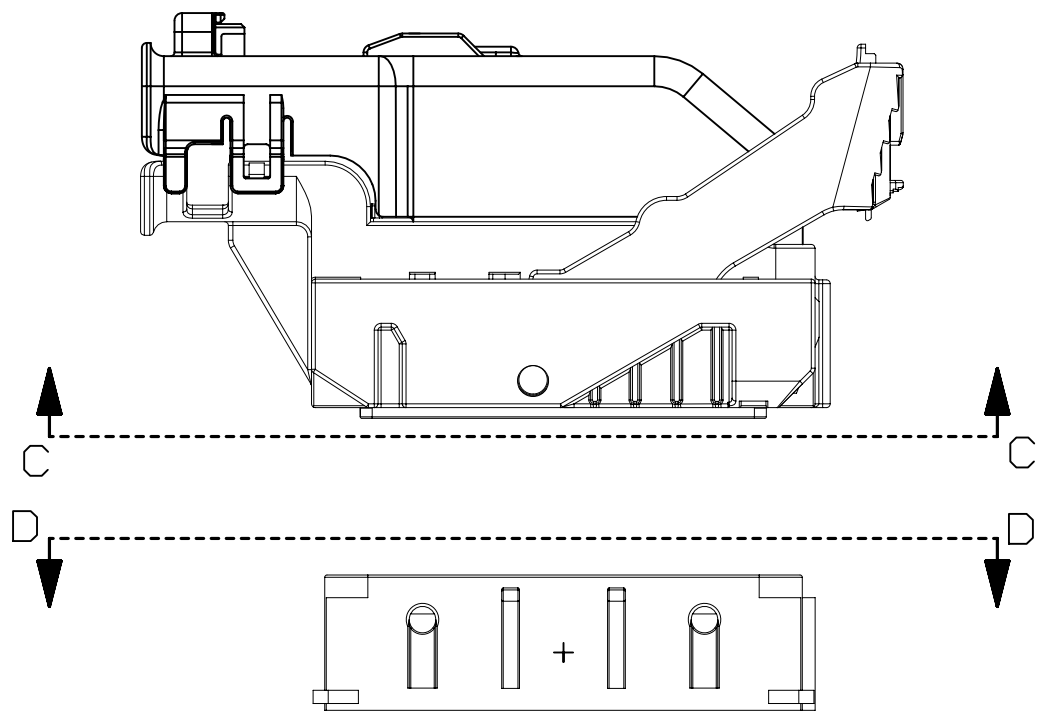


PAGE TITLE
KEY ID REF - WIRE DRESS OPTION 0

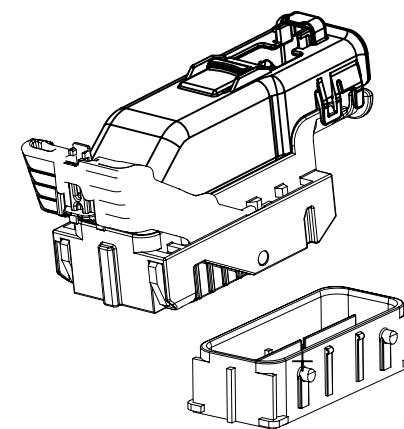
DRAWING NUMBER
12642695

DWG STATUS		
ST	REV	PD1
R	002	

PAGE NUMBER
11 OF 21

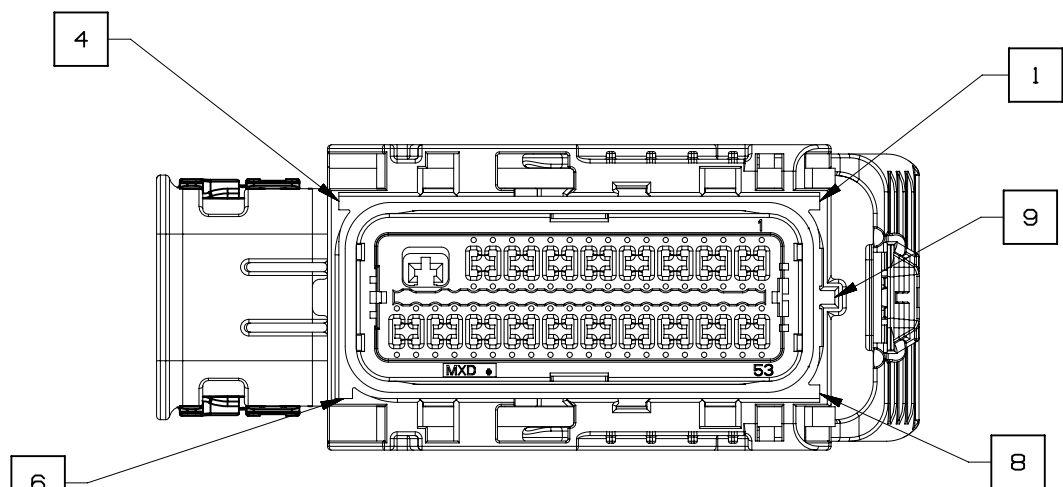


INTERFACE SIDE SHOWN ON ALL SECTION VIEWS

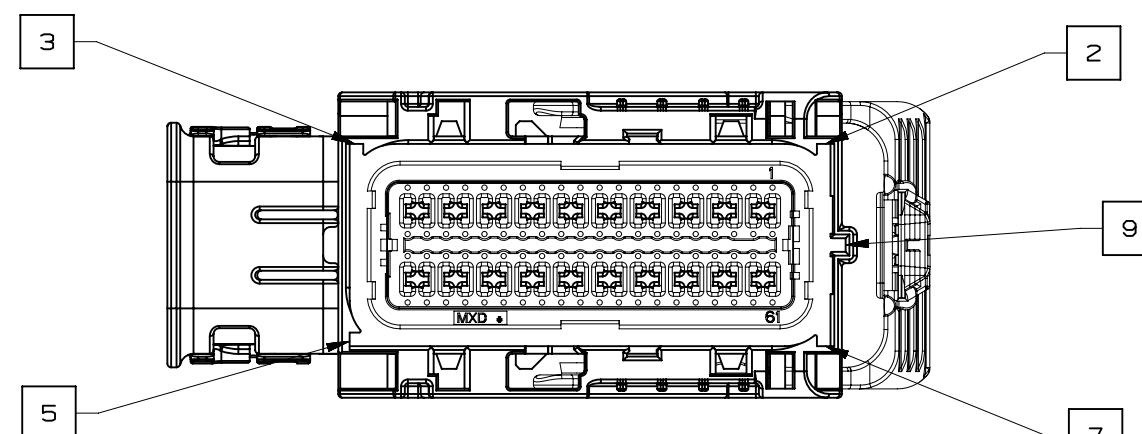


NOTE: REFERENCE THE COMPONENT TABLE FOR KEY OPTIONS AND CONFIGURATIONS

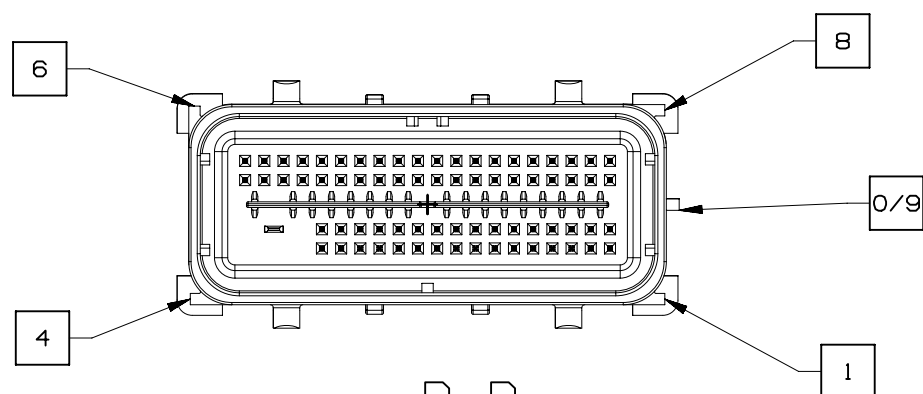
VIEW V



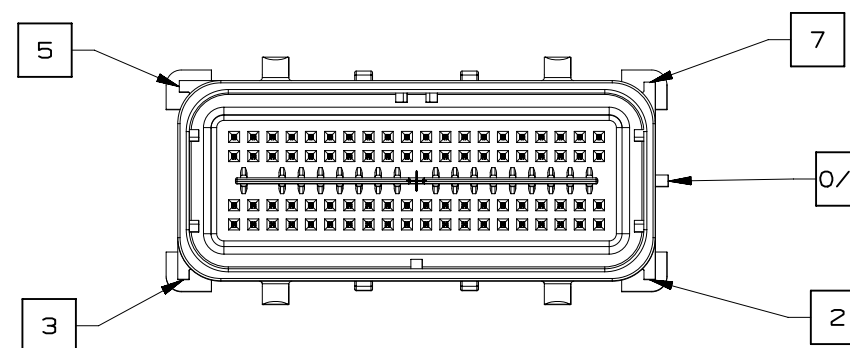
SECTION C-C
KEY OPTION B SHOWN



SECTION C-C
KEY OPTION K SHOWN



SECTION D-D
KEY OPTION B SHOWN



SECTION D-D
KEY OPTION K SHOWN

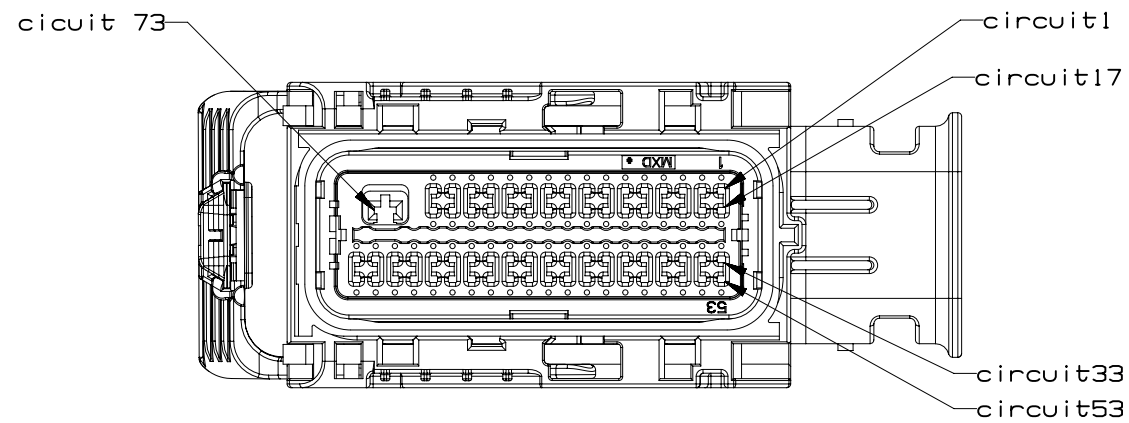


PAGE TITLE
KEY ID REF - WIRE DRESS OPTION 9

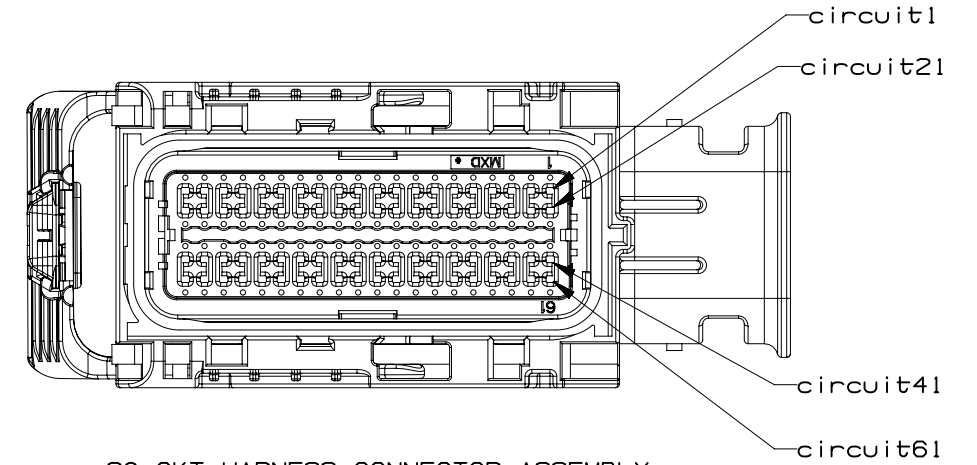
DRAWING NUMBER
12642695

DWG STATUS		
ST	REV	PD1
R	002	

PAGE NUMBER
12 OF 21

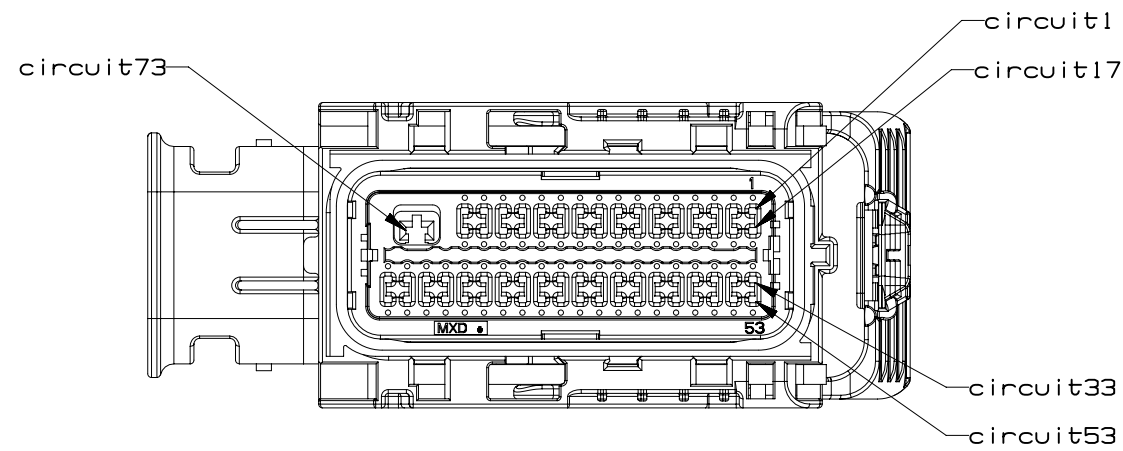


73 CKT HARNESS CONNECTOR ASSEMBLY
WIRE DRESS OPTION 0

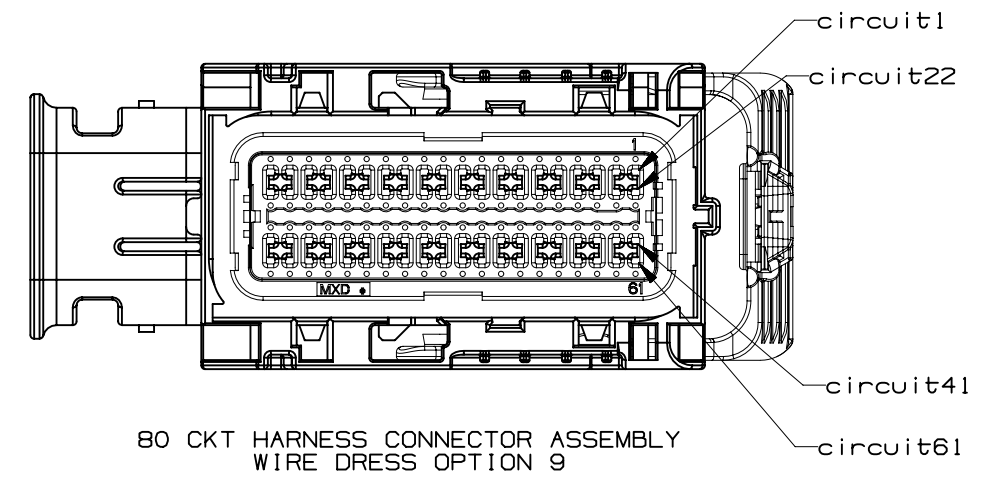


80 CKT HARNESS CONNECTOR ASSEMBLY
WIRE DRESS OPTION 0

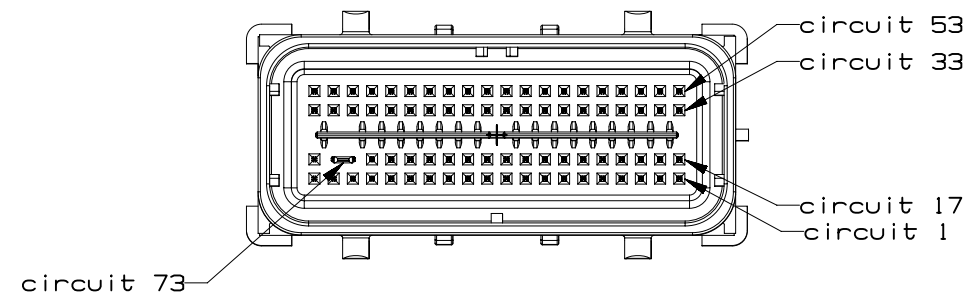
INTERFACE SIDE SHOWN ON ALL VIEWS



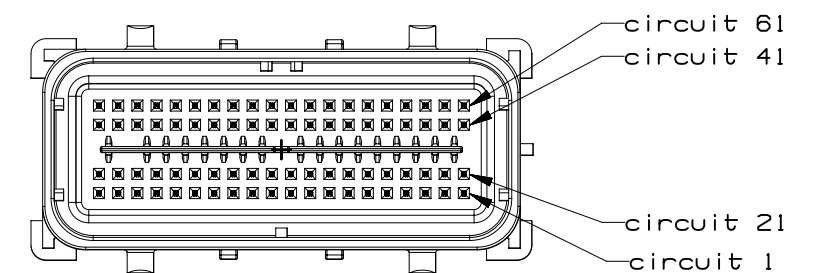
73 CKT HARNESS CONNECTOR ASSEMBLY
WIRE DRESS OPTION 9



80 CKT HARNESS CONNECTOR ASSEMBLY
WIRE DRESS OPTION 9

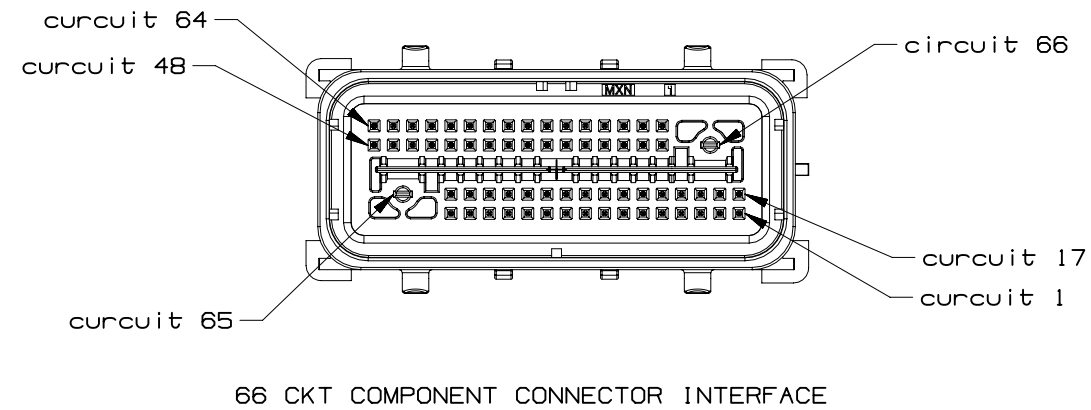
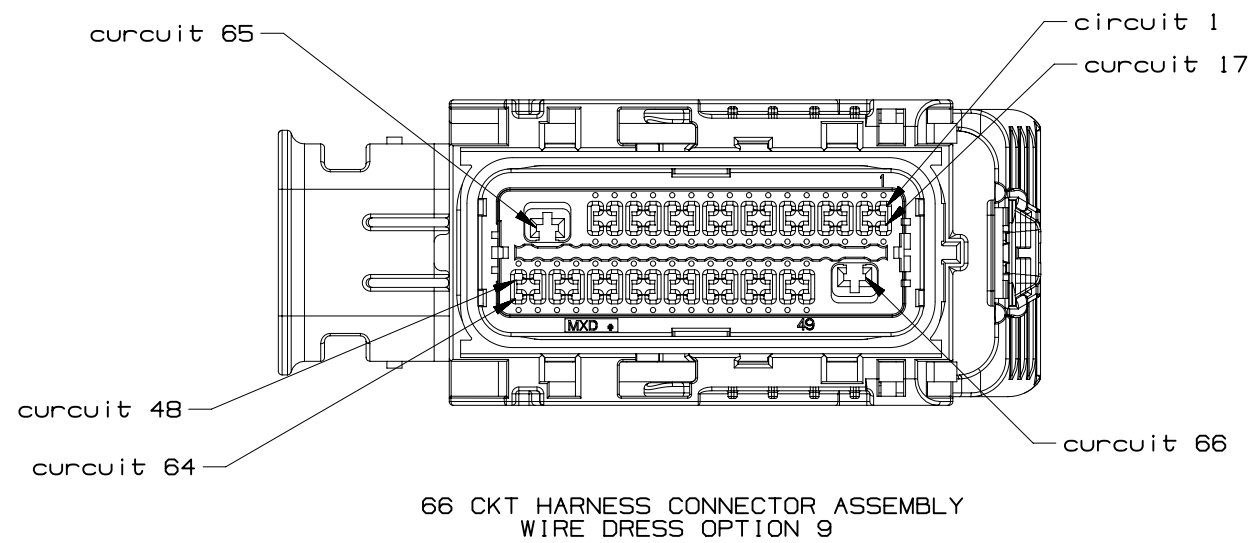
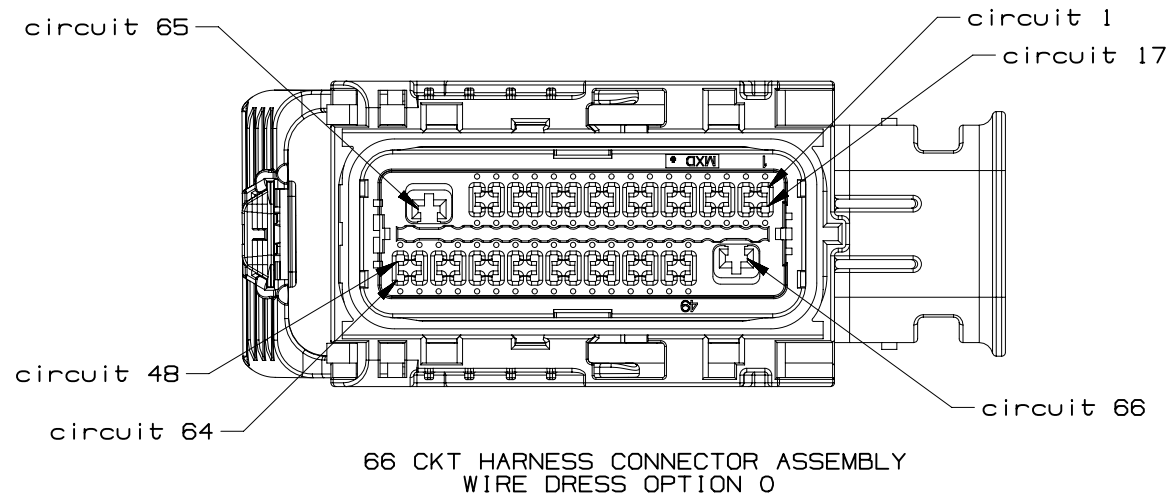



73 CKT COMPONENT CONNECTOR INTERFACE

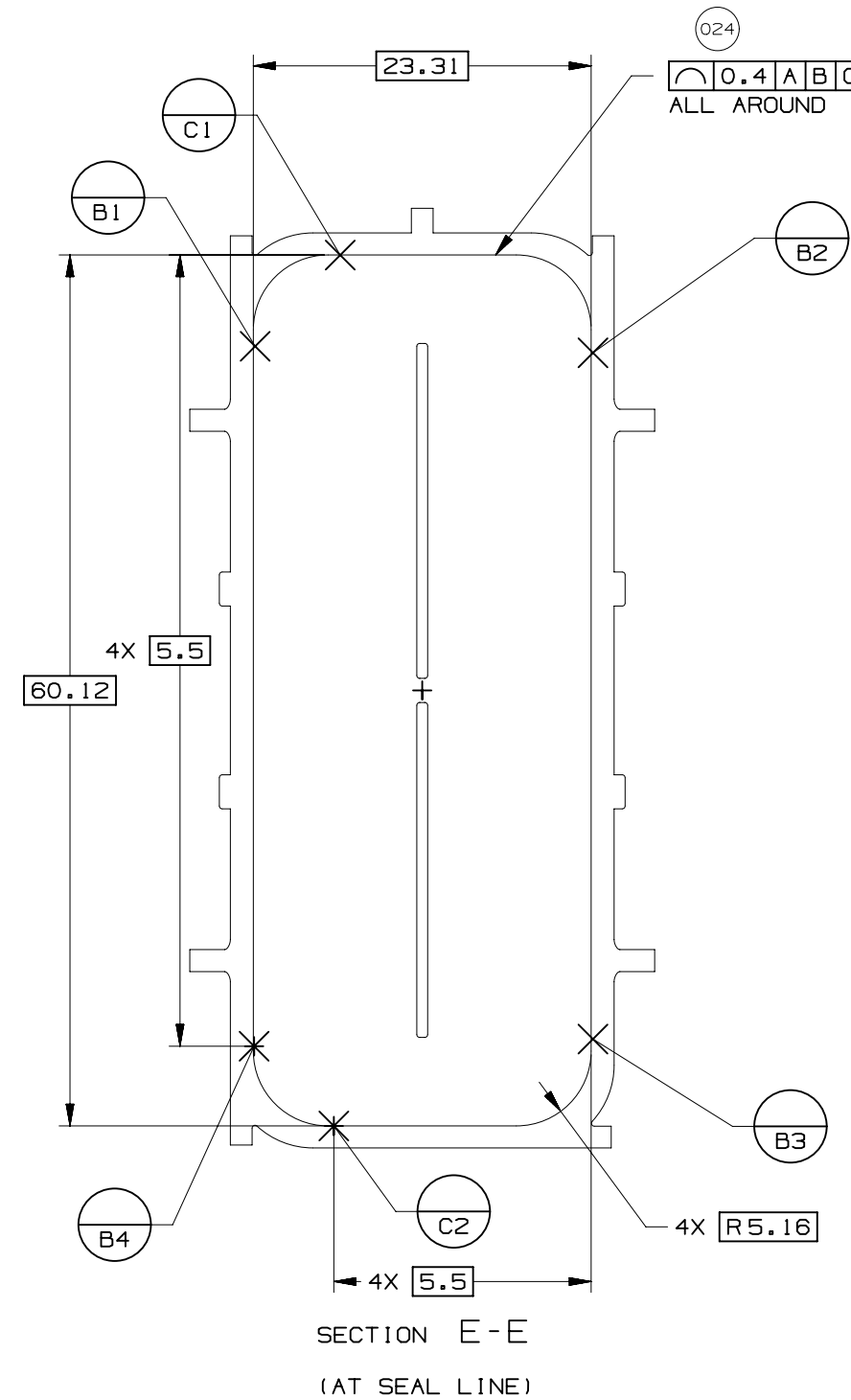
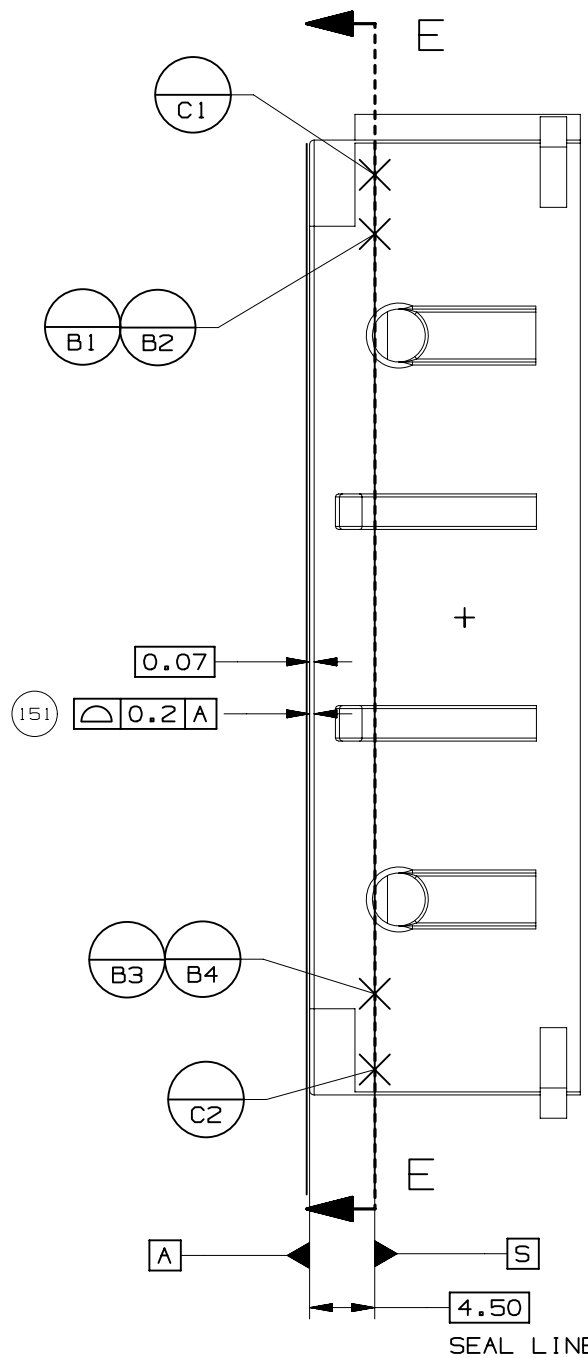
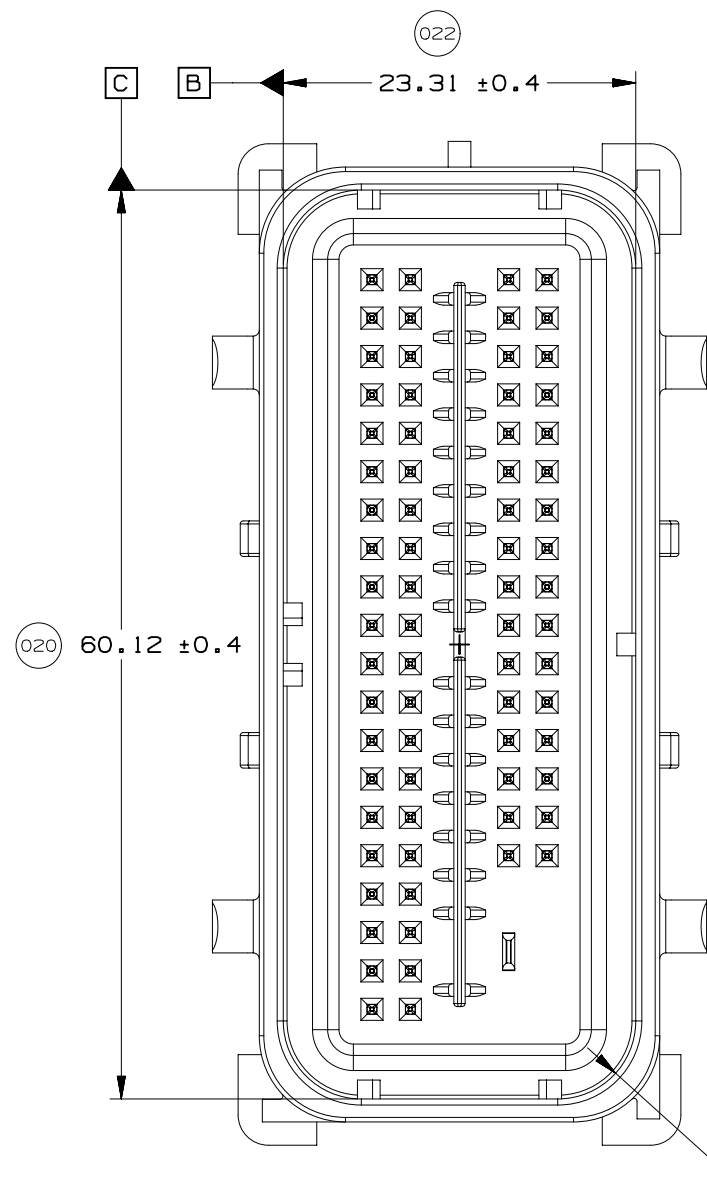
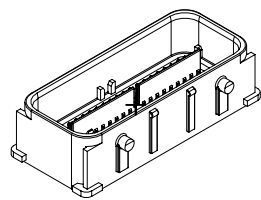


80 CKT COMPONENT CONNECTOR INTERFACE





	PAGE TITLE	DRAWING NUMBER	DWG STATUS			PAGE NUMBER	
	CIRCUIT CONFIGURATIONS		12642695	ST	REV	PDI	14 of 21
				R	002		



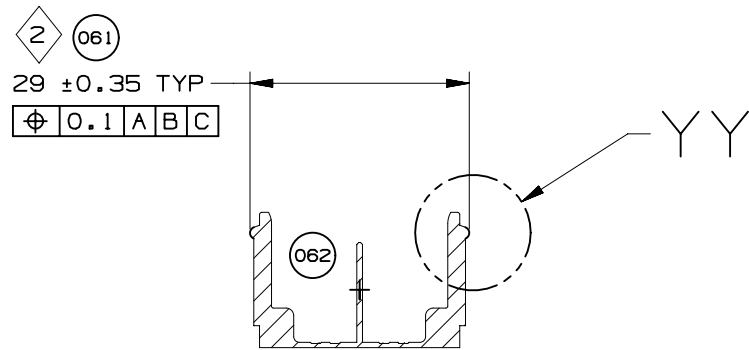
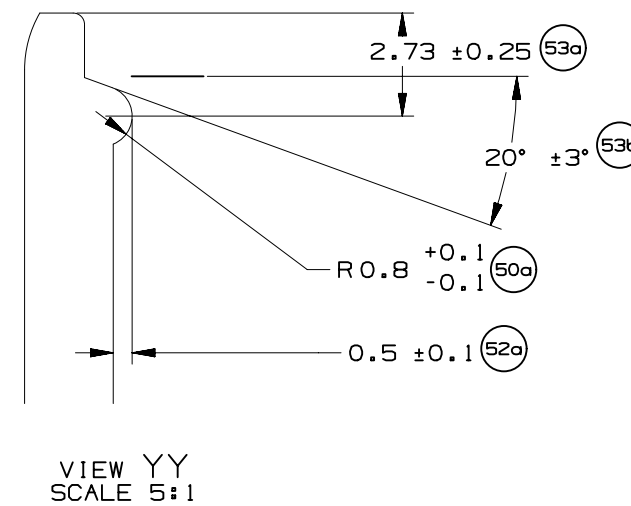
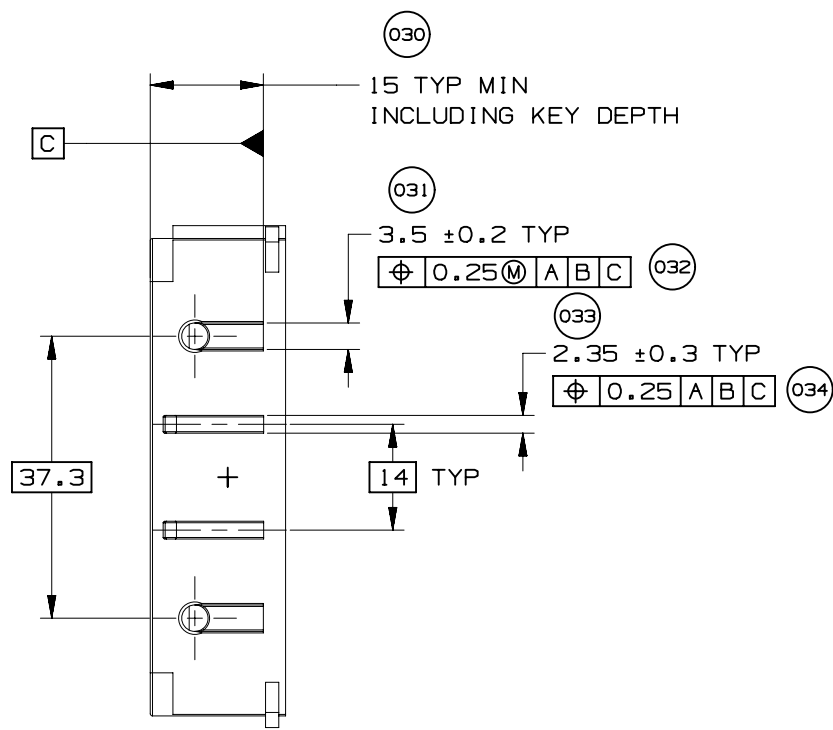
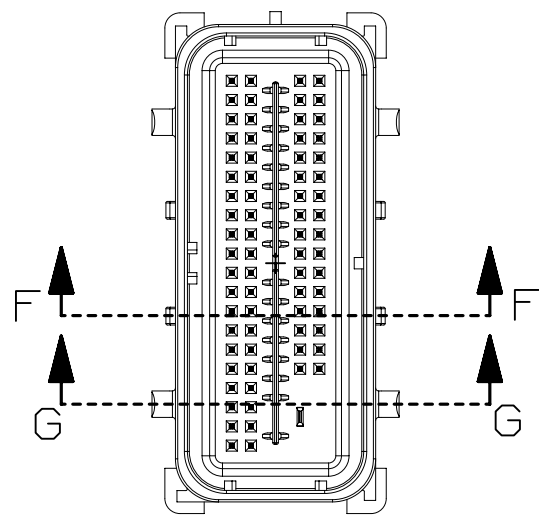
UNLESS SPECIFIED, TOLERANCE OF THE COMPONENT CONNECTOR INTERFACE TO BE $\sqrt[0.13]{A B C}$



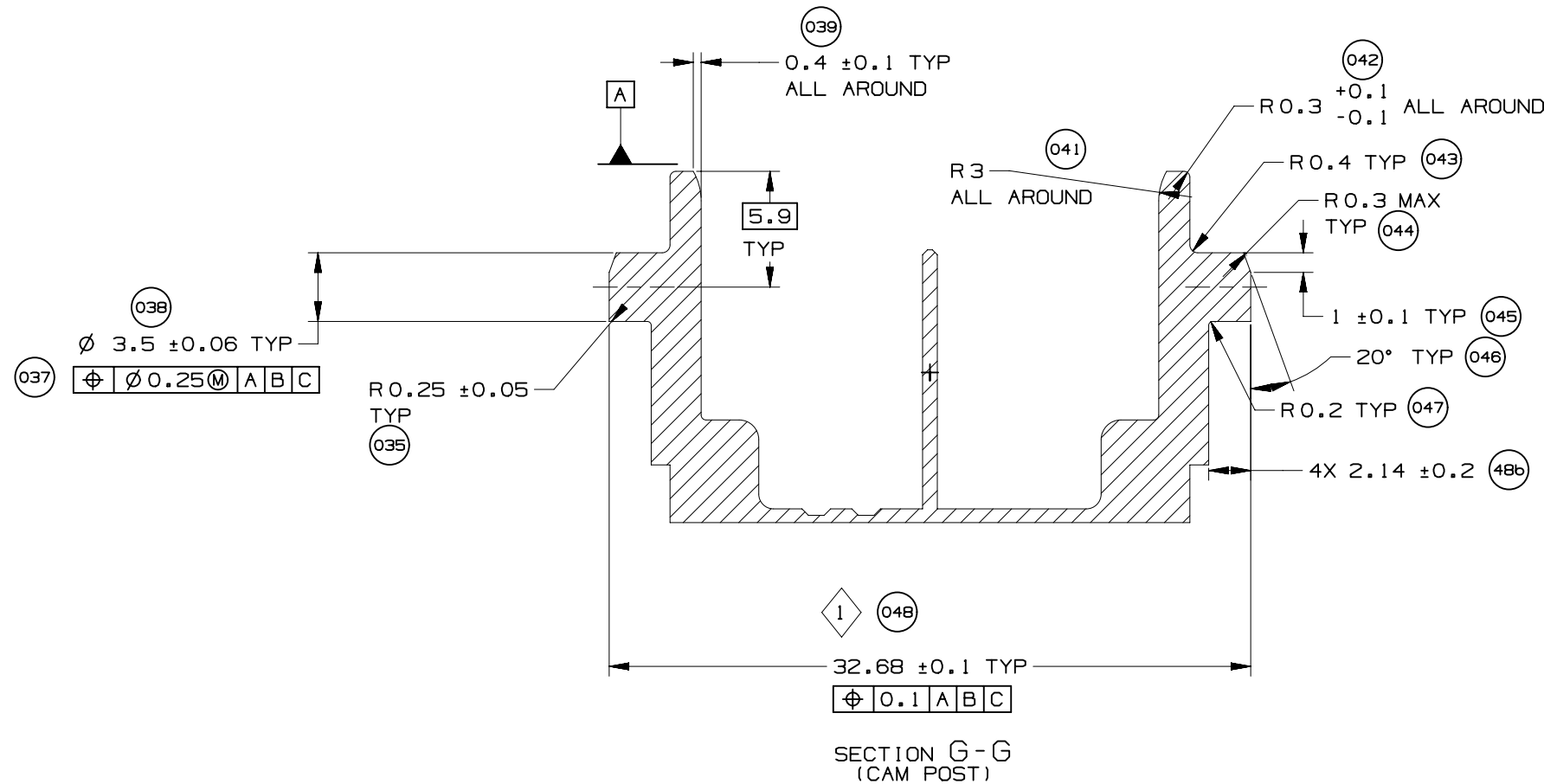
PAGE TITLE
COMPONENT CONNECTOR INTERFACE

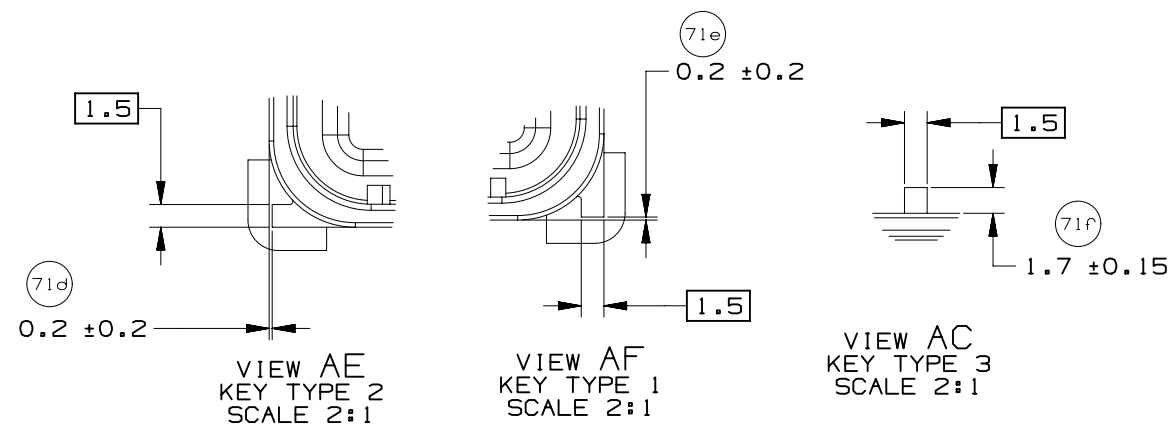
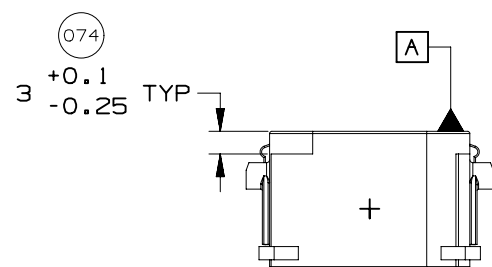
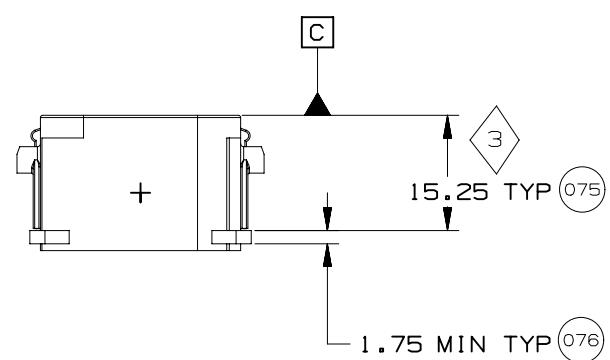
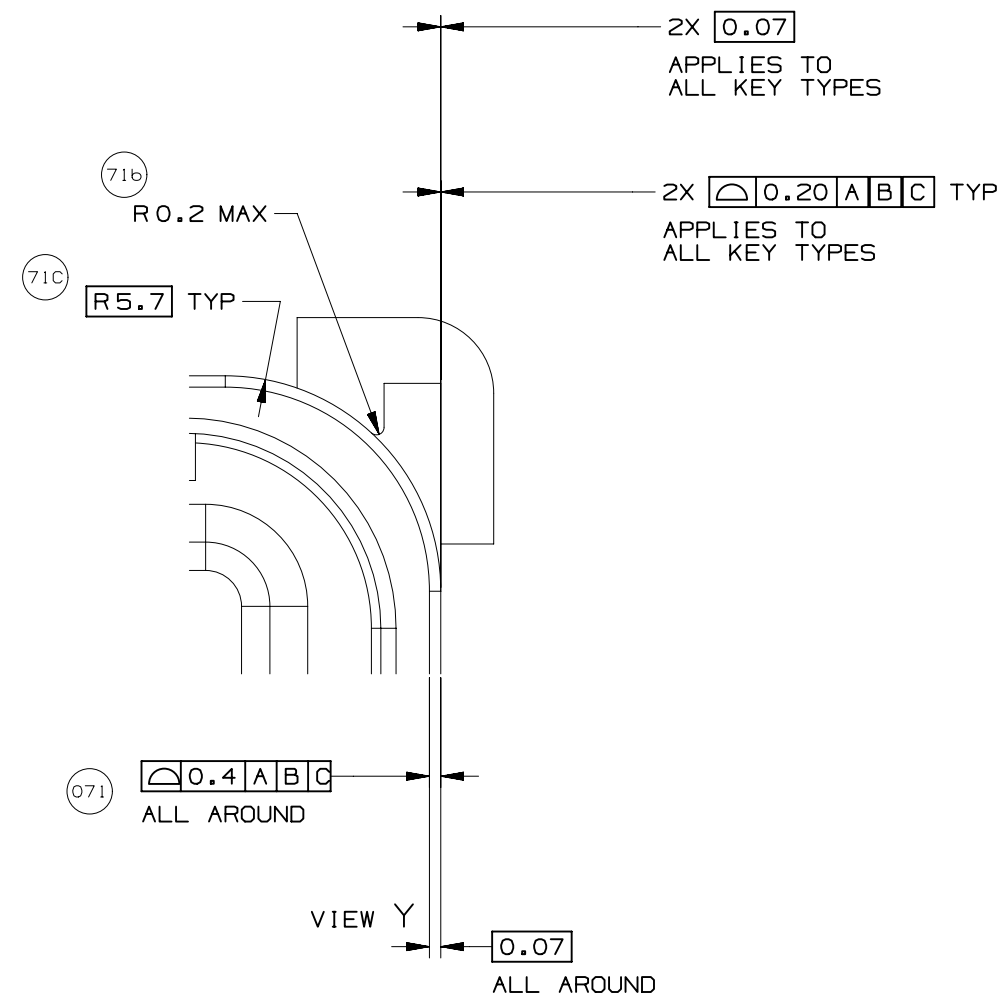
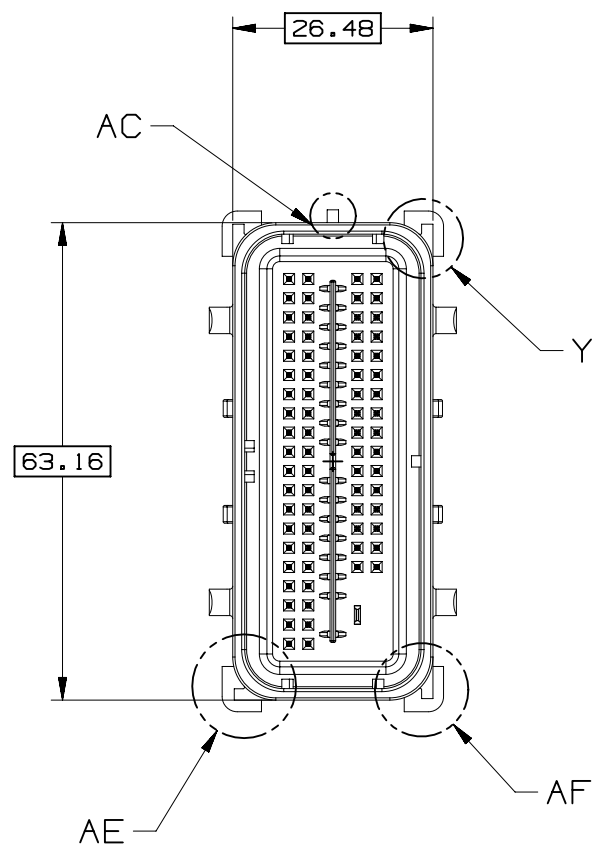
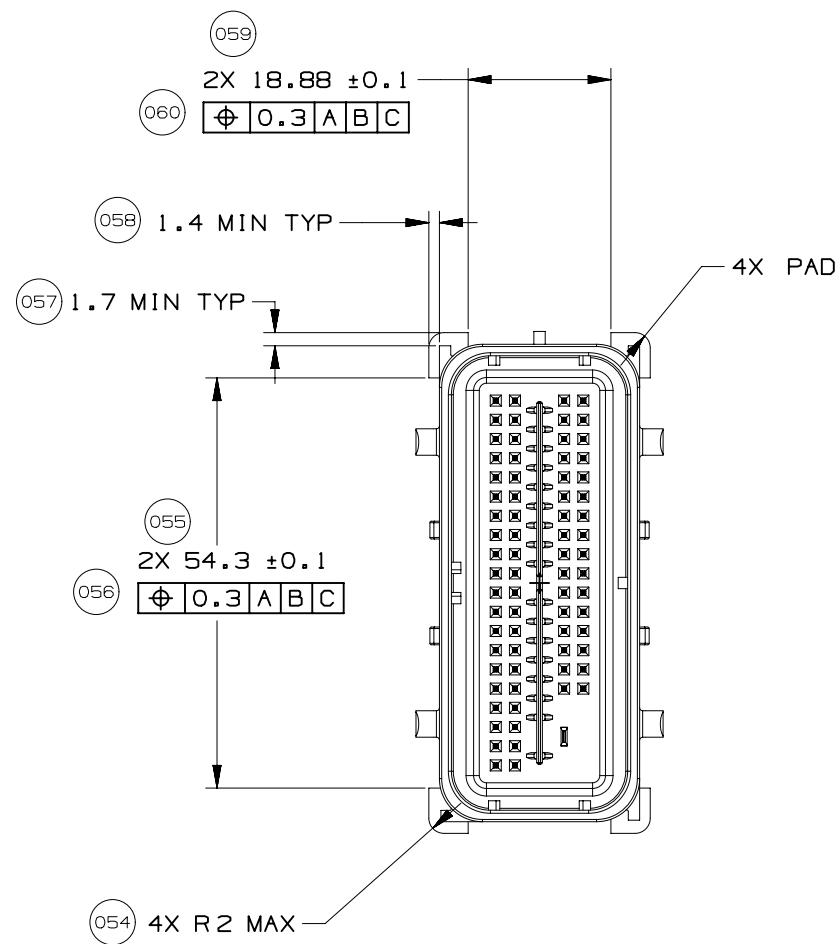
DRAWING NUMBER
12642695

DWG STATUS			PAGE NUMBER
ST	REV	PD1	
R	002		15 OF 21



SECTION F-F

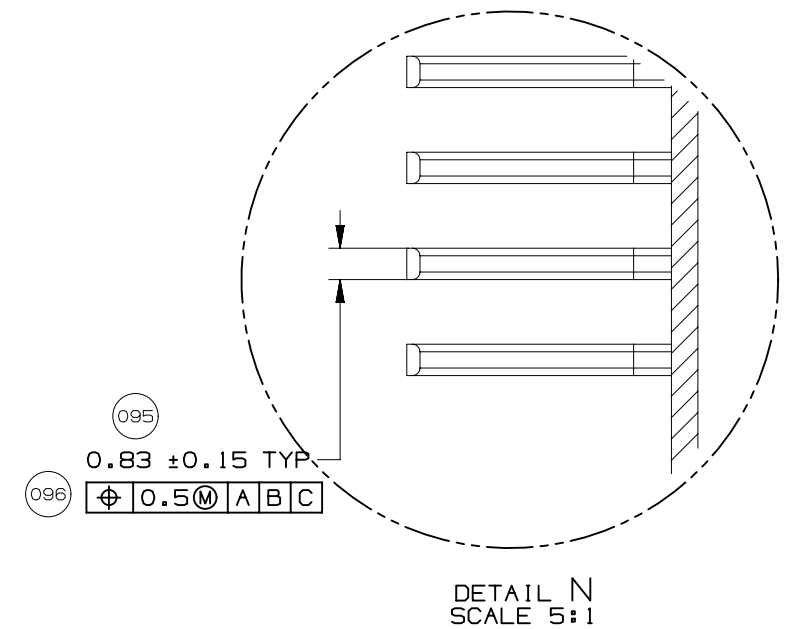
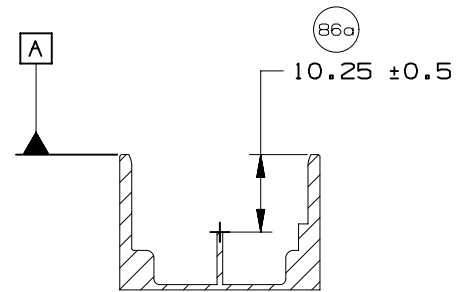
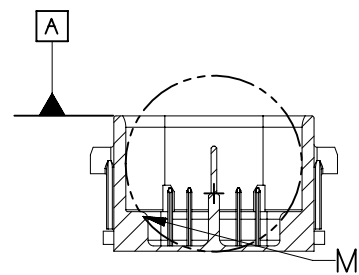
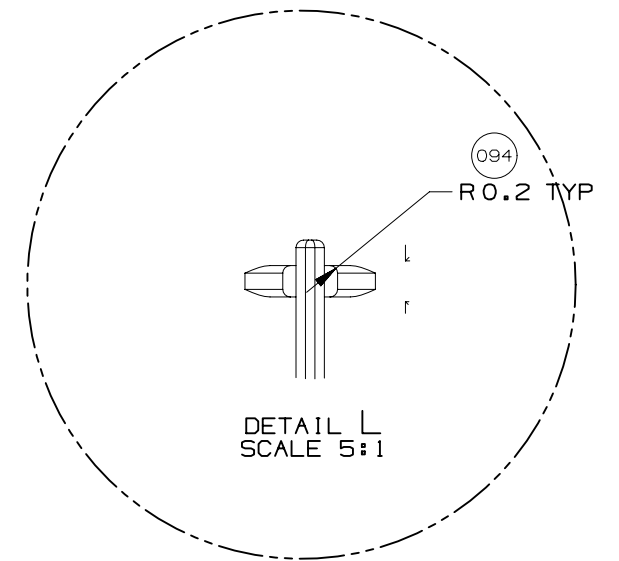
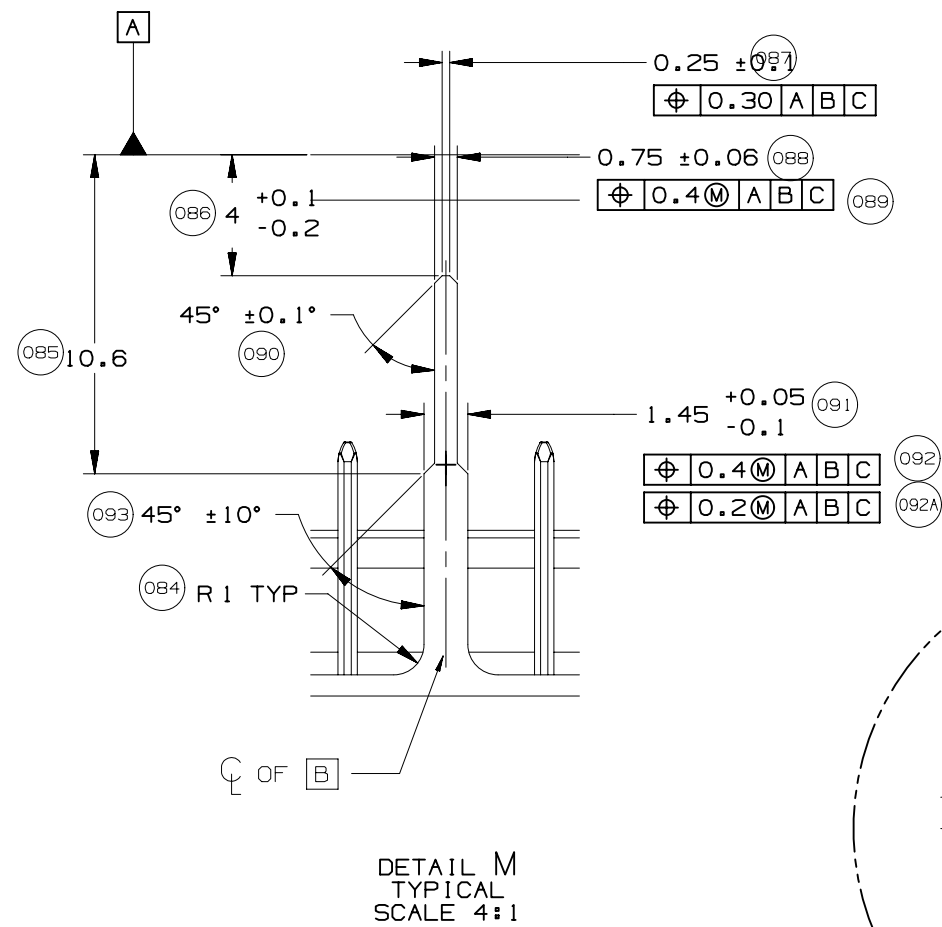
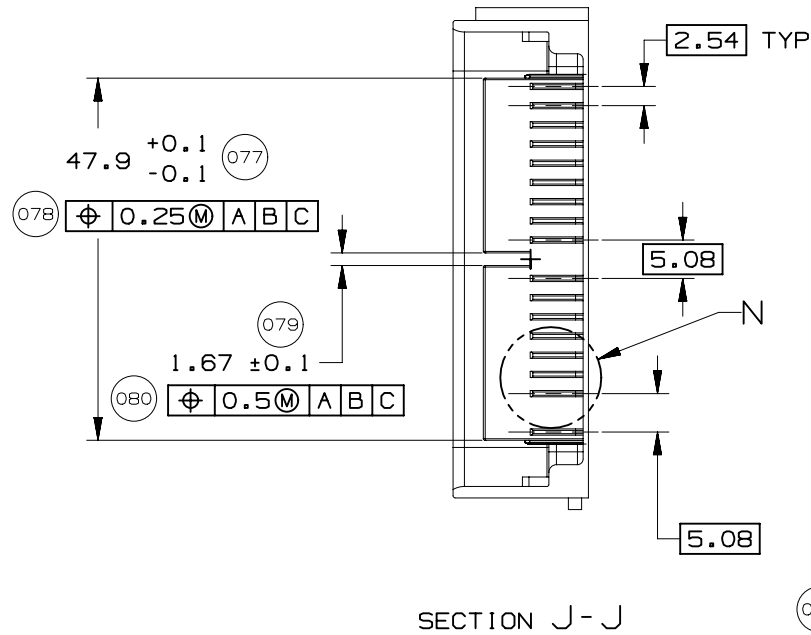
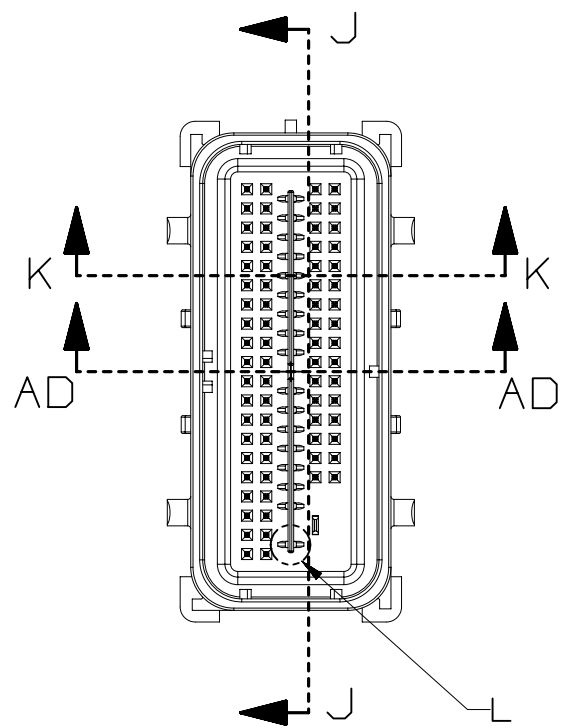


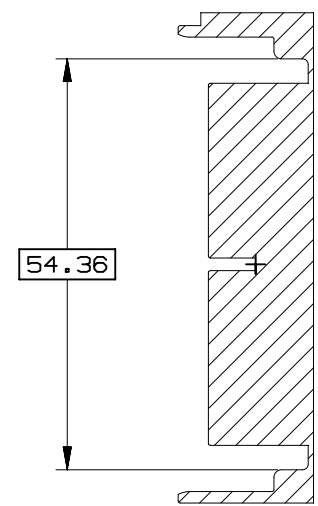
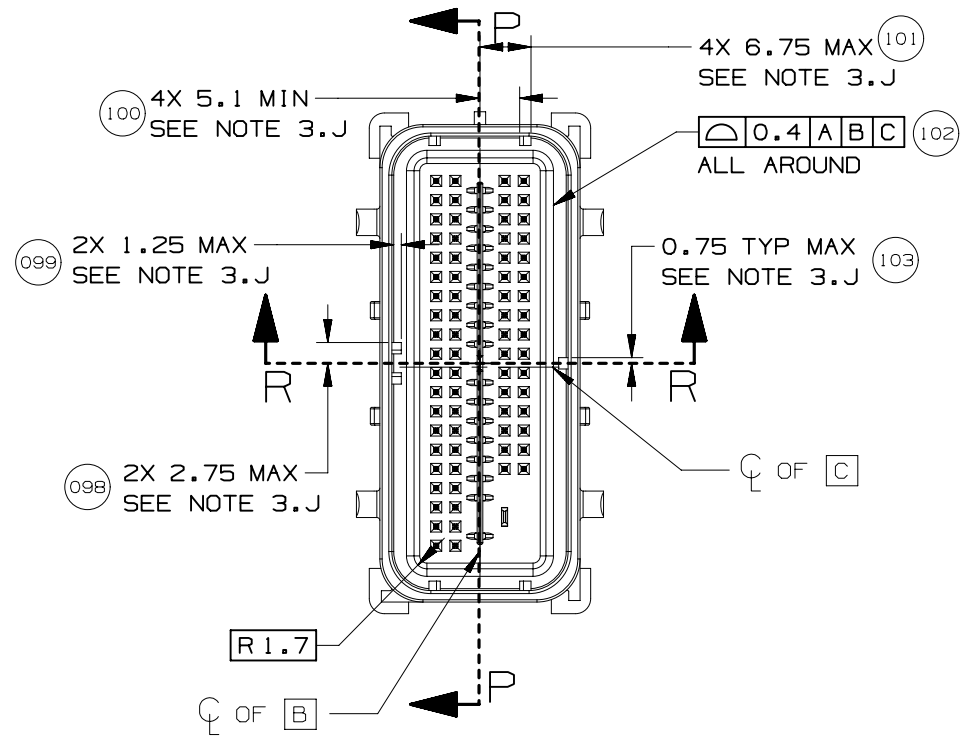


PAGE TITLE
 COMPONENT CONNECTOR INTERFACE

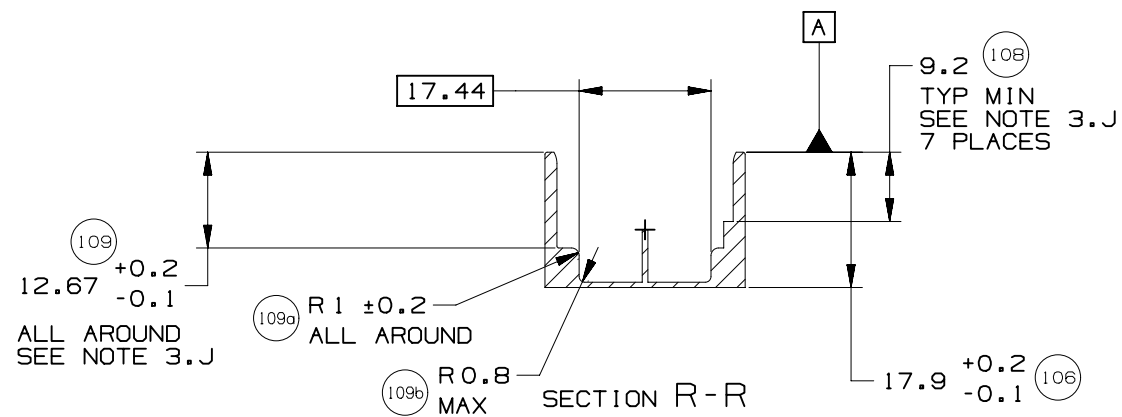
DRAWING NUMBER
 12642695

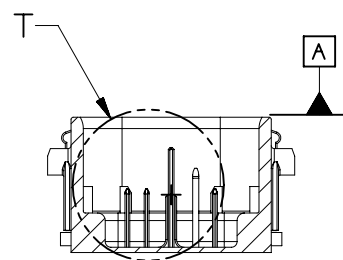
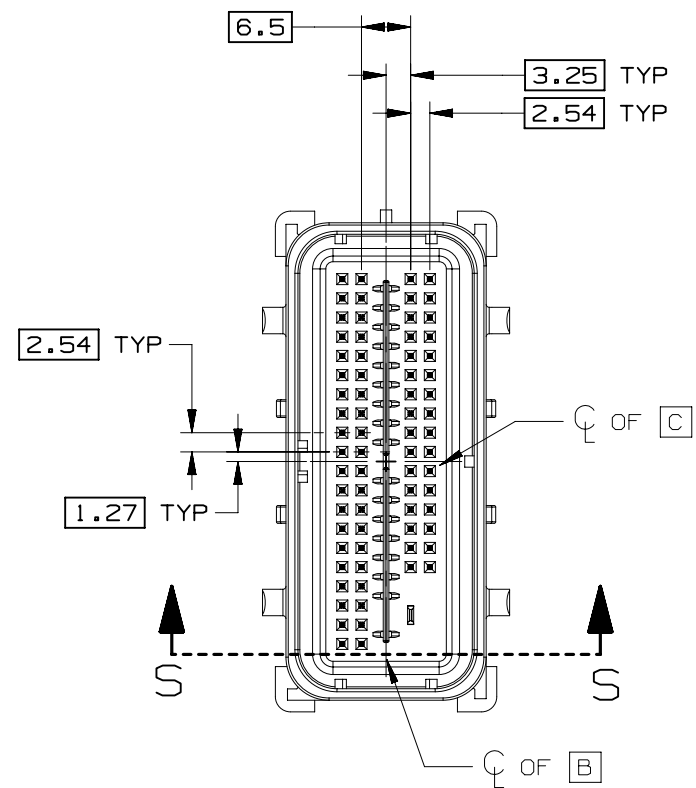
DWG STATUS			PAGE NUMBER	
ST	REV	PD1		
R	002		17	OF 21



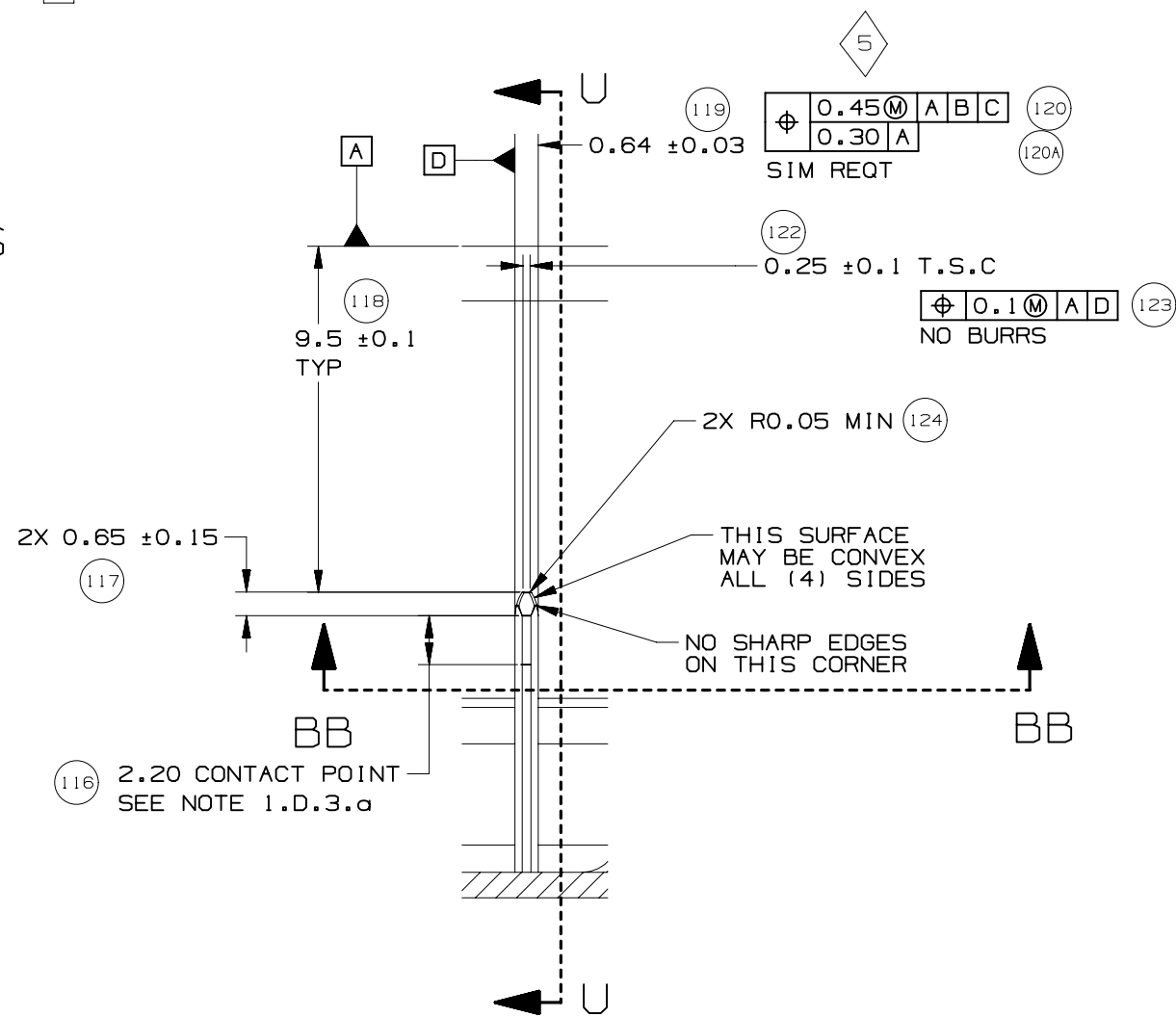


SECTION P-P

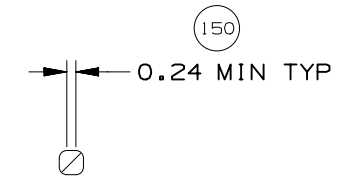




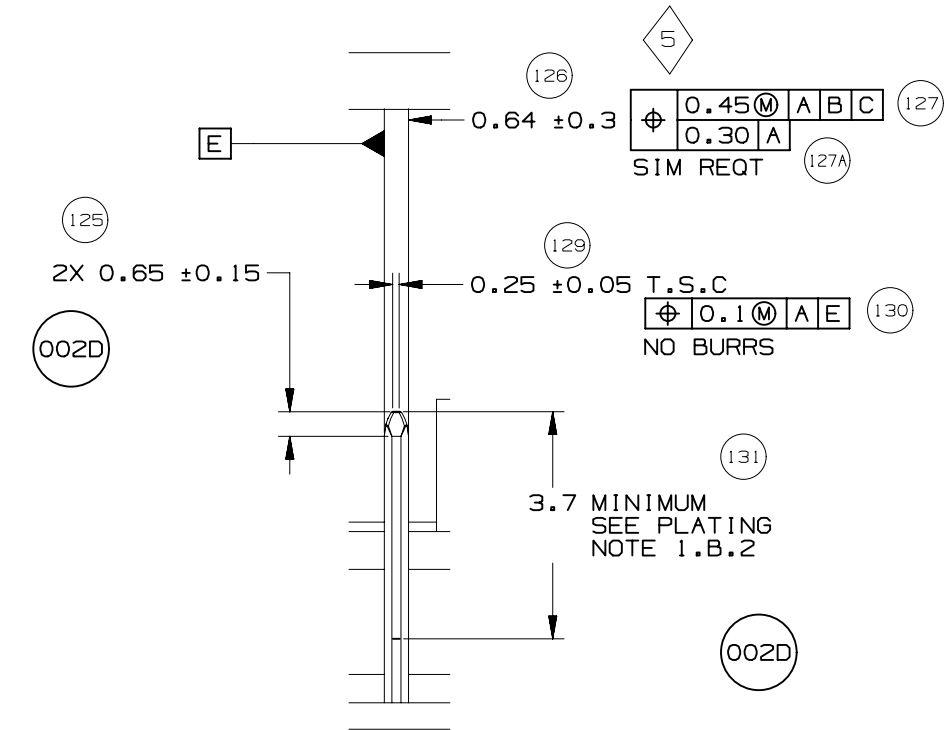
SECTION S-S



DETAIL T
TYPICAL
SCALE 5:1

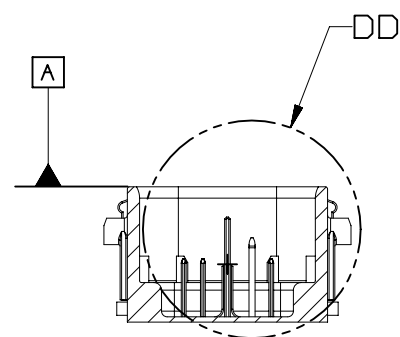
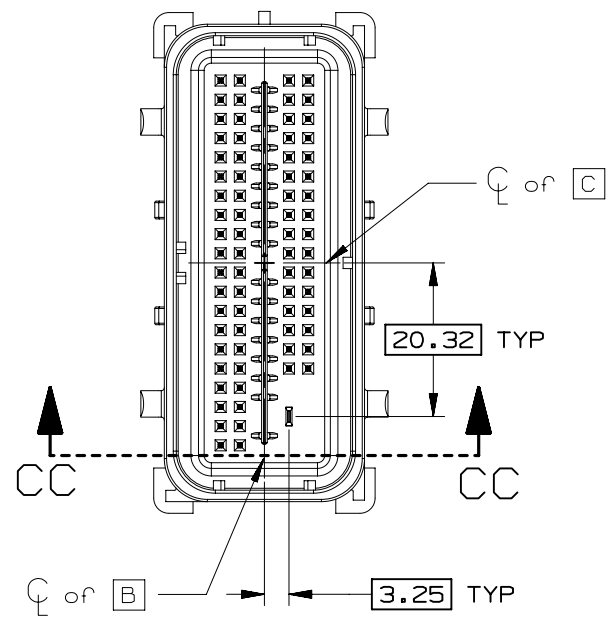


SECTION BB-BB

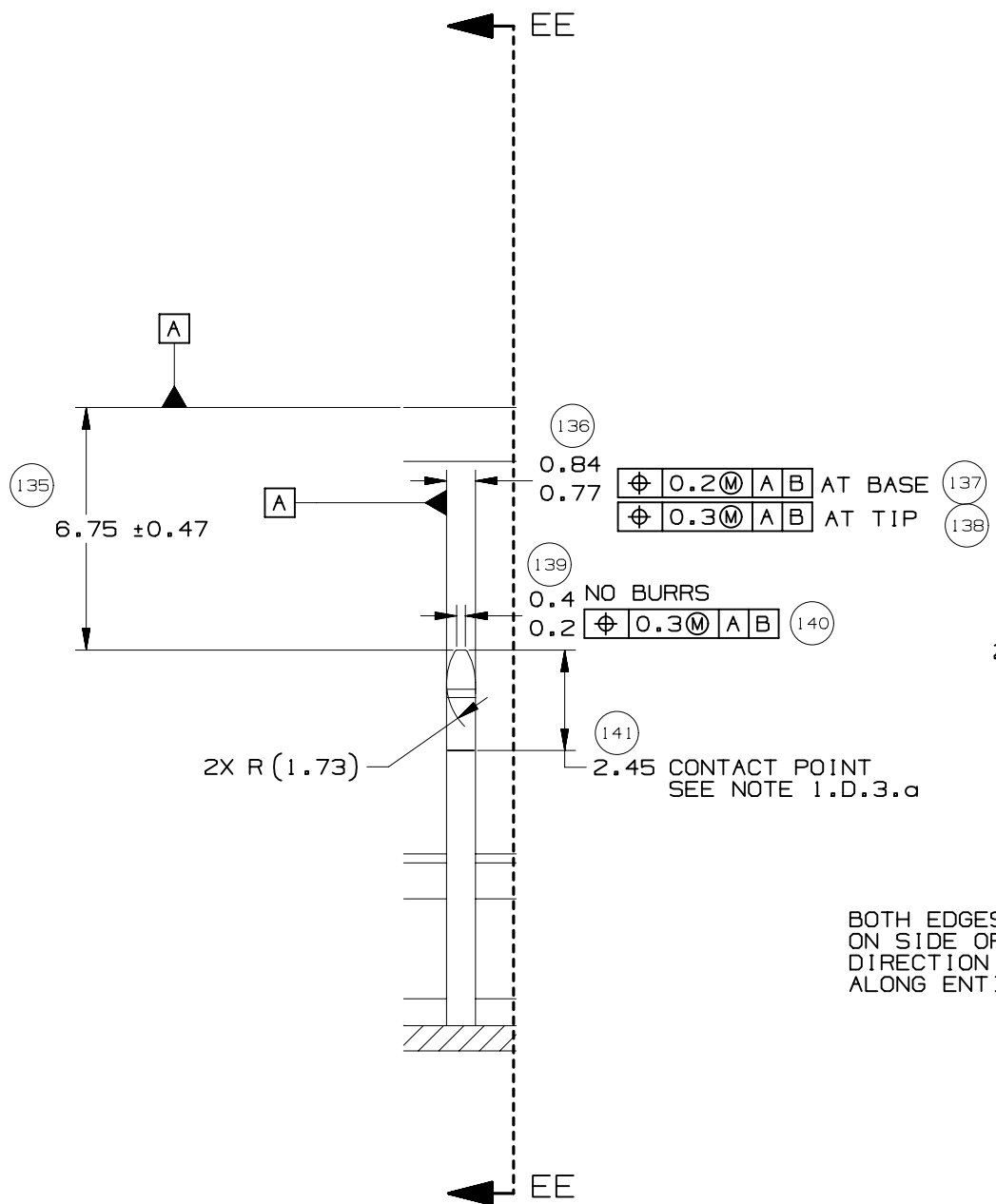


SECTION U-U

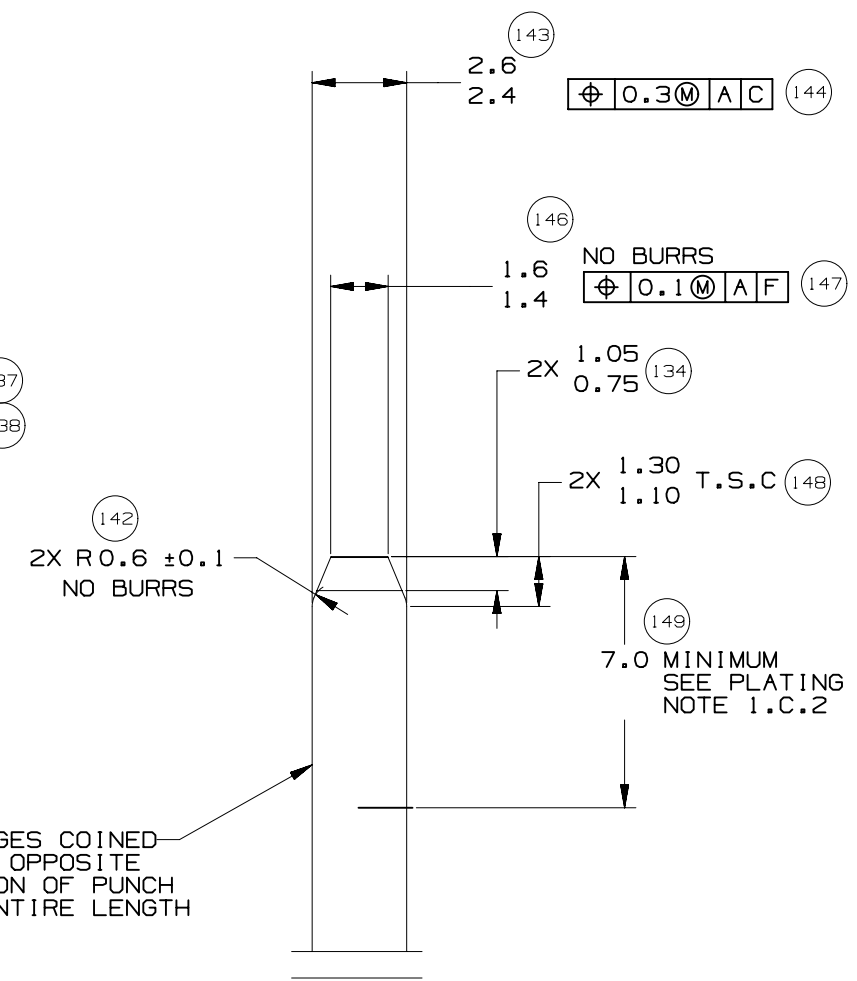




SECTION CC-CC



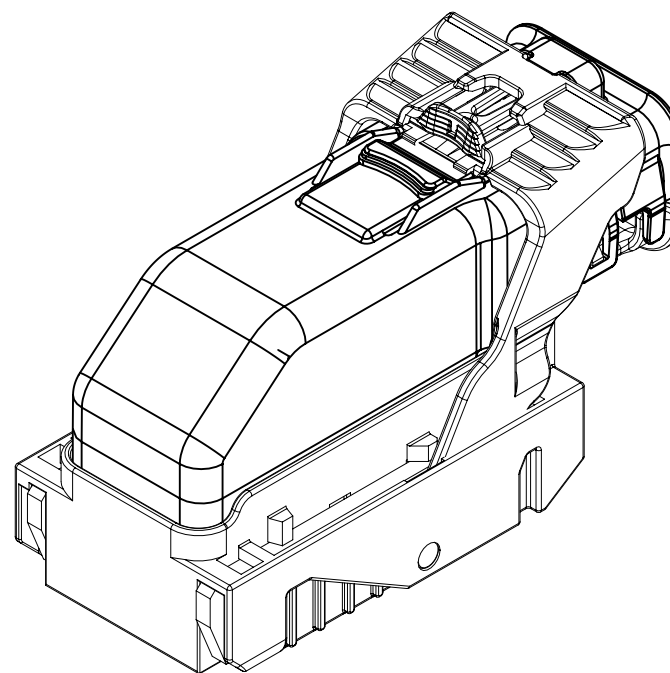
DETAIL DD
TYPICAL
SCALE 5:1




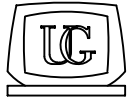
SECTION EE-EE
TYPICAL

BOTH EDGES COINED
ON SIDE OPPOSITE
DIRECTION OF PUNCH
ALONG ENTIRE LENGTH

INDEX	
PAGE TITLE	PAGE
TITLE BLOCK	1
REVISION BLOCK	2
PART BLOCK	3
KPC BLOCK	4
COMPONENT TABLE	5
NOTES	6
NOTES	7
WIRE DRESS PACKAGING DIMENSIONS	8
LOCATION AND PACKAGING DIMENSIONS REFERENCING INTERFACE DATUMS B & C	9
LOCATION AND PACKAGING DIMENSIONS REFERENCING INTERFACE DATUM A	10
KEY ID REF - WIRE DRESS OPTION 0	11
KEY ID REF - WIRE DRESS OPTION 9	12
CIRCUIT CONFIGURATIONS	13
CIRCUIT CONFIGURATIONS	14
COMPONENT CONNECTOR INTERFACE	15
COMPONENT CONNECTOR INTERFACE	16
COMPONENT CONNECTOR INTERFACE	17
COMPONENT CONNECTOR INTERFACE	18
COMPONENT CONNECTOR INTERFACE	19
COMPONENT CONNECTOR INTERFACE	20
COMPONENT CONNECTOR INTERFACE	21
ADDITIONAL COMPONENTS REQUIRED	22




ISO VIEW

	<p>UNLESS OTHERWISE SPECIFIED: THIS DOCUMENT IS IN ACCORDANCE WITH ASME Y14.5M-1994 AS AMMENDED BY THE GM GLOBAL DIMENSIONING AND TOLERANCING ADDENDUM-1997. ALL GEOMETRIC TOLERANCES AND RELATED DATUMS APPLY RFS. RULE #1 (PERFECT FORM AT MMC) DOES NOT APPLY WHEN A RELATIONSHIP BETWEEN FEATURES IS ESTABLISHED BY ORIENTATION OR LOCATION TOLERANCES. SEPARATE POSITION CALLOUTS MAY BE GAGED SEPARATELY REGARDLESS OF DATUM REFERENCES.</p>			DATE
	 CHANGE RESTRICTED NO MANUAL CHANGES	REFERENCE 12H (MOLEX AUTOMOTIVE)	DRAFTER APVD1	05JN15
DO NOT SCALE		APVD2		
METRIC DIMENSIONS SHOWN IN MILLIMETERS UNLESS OTHERWISE SPECIFIED	DRAWING NAME	APVD3		
	HARNESS CONN ASM-SEALED 52/66/73/80 CKTS,MX123	APVD4		
		APVD5		
	DRAWING NUMBER	DWG STATUS		
	12672833	ST	REV	
		R	001	
		PAGE NUMBER		
		1	OF 22	

PAGE	DWG STATUS					REVISION HISTORY	AUTH	DR	CK	ENG
	DATE	ST	REV	CHG	PDI					
	05JN15	R	001			RELEASED TO PRODUCTION AT DLS A	CRMRJE	DFK		

PAGE	DWG STATUS					REVISION HISTORY	AUTH	DR	CK	ENG
	DATE	ST	REV	CHG	PDI					

	PAGE TITLE	DRAWING NUMBER	DWG STATUS			PAGE NUMBER	
	REVISION BLOCK		12672833	ST	REV	PDI	2 OF 22
				R	001		

KEY PRODUCT CHARACTERISTICS
(IN ACCORDANCE WITH QN 1805 OR ON 1050)



SAFETY/COMPLIANCE

TOTAL ON
DRAWING

4



FIT/FUNCTION

LAST NO.
USED

4

NO	TYPE	DESCRIPTION	RATIONALE	PAGE/ZONE
1	F/F	32.68	IMPROVE CONNECTOR SYSTEM MATING	16
2	F/F	29.00	INSURE PROPER RELEASE OF LEVER	16
3	F/F	15.25	INSURE FINAL MATE POSITION	17
4	F/F	POSITIONAL TOLERANCE (2 PLACES)	INSURE CONNECTOR SYSTEM MATEABILITY	20



PAGE TITLE
KPC BLOCK

DRAWING NUMBER

12672833

DWG STATUS

ST	REV	PDI
----	-----	-----

R	001	
---	-----	--

PAGE NUMBER

4 OF 22

LINE	MFG.	MFG. P/N	GM P/N	EFFECTIVE DATE	APPLICABLE COMPONENTS	KEY OPTION	WIRE DRESS OPTION	KEY CONFIG.	COLOR	STATUS
					DESCRIPTION					
-										
1	MOLEX	34565-0003	12582676	02JN03	MX123 DRESS COVER 52/66/73/80 CKT	N/A	N/A	N/A	BLACK	AVAILABLE
2	MOLEX	160094-0001	12672852	01SP13	MX123 HRNS CONN ASSY 52 CKT	A	0	1458	BLACK	AVAILABLE
3	MOLEX	160094-0003	12672854	01SP13	MX123 HRNS CONN ASSY 52 CKT	C	0	2467	BLUE	AVAILABLE
4	MOLEX	160094-0013	12672853	01SP13	MX123 HRNS CONN ASSY 52 CKT	A	9	1458	BLACK	AVAILABLE
5	MOLEX	160094-0015	12672855	01SP13	MX123 HRNS CONN ASSY 52 CKT	C	9	2467	BLUE	AVAILABLE
6	MOLEX	34822-0013	12672856	01SP13	MX123 HRNS CONN ASSY 66 CKT	A	0	1458	BLACK	AVAILABLE
7	MOLEX	34822-0033	12672858	01SP13	MX123 HRNS CONN ASSY 66 CKT	C	0	2467	BLUE	AVAILABLE
8	MOLEX	34822-0023	12672857	01SP13	MX123 HRNS CONN ASSY 66 CKT	A	9	1458	BLACK	AVAILABLE
9	MOLEX	34822-0043	12672859	01SP13	MX123 HRNS CONN ASSY 66 CKT	C	9	2467	BLUE	AVAILABLE
10	MOLEX	34566-0103	12672860	11JN04	MX123 HRNS CONN ASSY 73 CKT	A	0	1458	BLACK	AVAILABLE
11	MOLEX	34566-0203	12672862	11JN04	MX123 HRNS CONN ASSY 73 CKT	B	0	1468	ST GRAY	AVAILABLE
12	MOLEX	34566-0303	12672864	09AP08	MX123 HRNS CONN ASSY 73 CKT	C	0	2467	BLUE	AVAILABLE
13	MOLEX	34566-0603	12672866	05DC14	MX123 HRNS CONN ASSY 73 CKT	F	0	1357	NATURAL	AVAILABLE
14	MOLEX	34566-1303	12672861	11JN04	MX123 HRNS CONN ASSY 73 CKT	A	9	1458	BLACK	AVAILABLE
15	MOLEX	34566-1403	12672863	11JN04	MX123 HRNS CONN ASSY 73 CKT	B	9	1468	ST GRAY	AVAILABLE
16	MOLEX	34566-1503	12672865	09AP08	MX123 HRNS CONN ASSY 73 CKT	C	9	2467	BLUE	AVAILABLE
17	MOLEX	34566-1803	12672867	05DC14	MX123 HRNS CONN ASSY 73 CKT	F	9	1357	NATURAL	AVAILABLE
18	MOLEX	34566-0703	12672872	09AP08	MX123 HRNS CONN ASSY 80 CKT	G	0	1358	BLUE	AVAILABLE
19	MOLEX	34566-0803	12672870	11JN04	MX123 HRNS CONN ASSY 80 CKT	H	0	2458	ST GRAY	AVAILABLE
20	MOLEX	34566-0903	12672868	T.B.D	MX123 HRNS CONN ASSY 80 CKT	J	0	2457	BLACK	NOT ACTIVE
21	MOLEX	34566-1903	12672873	09AP08	MX123 HRNS CONN ASSY 80 CKT	G	9	1358	BLUE	AVAILABLE
22	MOLEX	34566-2003	12672871	11JN04	MX123 HRNS CONN ASSY 80 CKT	H	9	2458	ST GRAY	AVAILABLE
23	MOLEX	34566-2103	12672869	T.B.D	MX123 HRNS CONN ASSY 80 CKT	J	9	2457	BLACK	NOT ACTIVE
24	MOLEX	34736-0028	12672851	01AU10	MX64 RCPT TERM Ag 0.5mm/0.75mm ISO GAGE B (RIGHT PAYOFF)	N/A	N/A	N/A	N/A	AVAILABLE
25	MOLEX	34736-0026	12672850	01AU10	MX64 RCPT TERM Ag 0.35mm ISO GAGE B (RIGHT PAYOFF)	N/A	N/A	N/A	N/A	AVAILABLE
26	MOLEX	34586-0001	12674820	11JN04	MX123 0.64mm GROMMET PLUG	N/A	N/A	N/A	NATURAL	AVAILABLE
27	YAZAKI	7116-4150-02	12588066	02JN03	2.8mm YESC SEALED FEMALE TERMINAL TIN 0.35mm2-0.50mm2	N/A	N/A	N/A	N/A	NOT ACTIVE
28	YAZAKI	7116-4151-02	12588067	02JN03	2.8mm YESC SEALED FEMALE TERMINAL TIN 0.75mm2-1.0mm2	N/A	N/A	N/A	N/A	NOT ACTIVE
29	YAZAKI	7116-4152-02	12582685	02JN03	2.8mm YESC SEALED FEMALE TERMINAL TIN 1.5mm2-2.5mm2	N/A	N/A	N/A	N/A	AVAILABLE
30	YAZAKI	7158-3111-60	12588068	02JN03	2.8mm CABLE SEAL (wire O.D. range 1.2mm-1.9mm)	N/A	N/A	N/A	GREEN	NOT ACTIVE
31	YAZAKI	7158-3112-70	12588069	02JN03	2.8mm CABLE SEAL (wire O.D. range 1.8mm-2.3mm)	N/A	N/A	N/A	YELLOW	NOT ACTIVE
32	YAZAKI	7158-3113-40	12582686	02JN03	2.8mm CABLE SEAL (wire O.D. range 2.1mm-3.0mm)	N/A	N/A	N/A	WHITE	AVAILABLE
33	YAZAKI	7158-3114-90	12674821	02JN03	2.8mm YESC CAVITY PLUG	N/A	N/A	N/A	BLUE	AVAILABLE
34	MOLEX	63825-8400	N/A	02JN03	MX64 TERM HAND CRIMP TOOL	N/A	N/A	N/A	N/A	AVAILABLE
35	MOLEX	63813-1400	XX019826	02JN03	MX64 TERM SERVICE TOOL	N/A	N/A	N/A	N/A	AVAILABLE
36	MOLEX	63902-5300	N/A	02JN03	MX64 CRIMP APPLICATOR with TOOL KIT 0.5/0.75mm2 PAYOFF DIRECTION D (left payoff) (contact Molex for payoff detail)	N/A	N/A	N/A	N/A	AVAILABLE
37	MOLEX	63902-5370	N/A	02JN03	MX64 APPLICATOR TOOL KIT 0.5/0.75mm2	N/A	N/A	N/A	N/A	AVAILABLE
38	MOLEX	63902-5100	N/A	02JN03	MX64 CRIMP APPLICATOR with TOOL KIT 0.35mm2 PAYOFF DIRECTION D (left payoff) (contact Molex for payoff detail)	N/A	N/A	N/A	N/A	AVAILABLE
39	MOLEX	63902-5170	N/A	02JN03	MX64 APPLICATOR TOOL KIT 0.35mm2	N/A	N/A	N/A	N/A	AVAILABLE
40	SPX	J35616-64	T.B.D.	02JN03	0.64mm PROBE TOOL (for rcpt)	N/A	N/A	N/A	N/A	AVAILABLE
41	SPX	J35616-64A	T.B.D.	02JN03	0.64mm PROBE TOOL WITH EXT (for rcpt)	N/A	N/A	N/A	N/A	AVAILABLE
42	SPX	J35616-65	T.B.D.	02JN03	0.64mm PROBE TOOL WITH EXT (for pin)	N/A	N/A	N/A	N/A	AVAILABLE
43	SPX	J35616-4A	T.B.D.	02JN03	2.8mm PROBE TOOL (for rcpt)	N/A	N/A	N/A	N/A	AVAILABLE
44	YAZAKI	X39899-J374	12094430	02JN03	2.8mm TERM SERVICE TOOL	N/A	N/A	N/A	N/A	AVAILABLE
45	TQI	7000-1006	N/A	15JN15	52 CKT PASS THROUGH ADAPTERS	N/A	N/A	N/A	BLACK	AVAILABLE
46	TQI	7000-1002	N/A	15JN15	66 CKT PASS THROUGH ADAPTERS	N/A	N/A	N/A	BLACK	AVAILABLE
47	TQI	79917-0061	N/A	15JN15	73 CKT PASS THROUGH ADAPTERS	N/A	N/A	N/A	BLACK	AVAILABLE
48	TQI	79917-0066	N/A	15JN15	80 CKT PASS THROUGH ADAPTERS	N/A	N/A	N/A	BLACK	AVAILABLE

* - MX123 DRESS COVER 52/66/73/80 CKT MATES TO ANY MX123 HARN CONN ASSY SHOWN ON TABLE ABOVE



PAGE TITLE
COMPONENT TABLE

DRAWING NUMBER

12672833

DWG STATUS

ST REV PDI

R 001

PAGE NUMBER

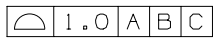
5 OF 22

NOTES: UNLESS OTHERWISE SPECIFIED

1. MATERIAL FOR INTERFACE:


- A. RESIN:
 - 1. 30% G.F. PBT; 20% MAX. (BY WEIGHT) REGRIND.
 - 2. MATING CONNECTOR INTERFACE PART COLOR MUST BE SAME AS MATCHING KEYED HARNESS CONNECTOR ASSEMBLY.
 - 3. MUST BE VALIDATED FOR INDIVIDUAL DEVICE APPLICATION REQUIREMENTS.
- B. 0.64MM PINS:
 - 1. BASE MATERIAL: COPPER ALLOY; CONDUCTIVITY >= 28% IACS AT 20°C; TENSILE STRENGTH >= 635 N/mm²; SURFACE ROUGHNESS R_a 6 MAX.
 - 2. PLATING FINISH: SILVER (Ag). PLATING TO BE 1.9-3.3 μm ELECTRODEPOSITED SEMI-BRIGHT SILVER OVER 1.25-2.25 μm DUCTILE SULPHAMATE NICKEL PER NOTE 1(D).
 - 3. ANTI-TARNISH: SYNTHETIC HYDROCARBON CONTACT SURFACE FINISH OR EQUIVALENT APPLIED WITHOUT VOID TO CONTACT AREA (MIN 3.7mm FROM PIN TIP).
- C. 2.8MM BLADE:
 - 1. BASE MATERIAL: COPPER ALLOY; CONDUCTIVITY >= 28% IACS AT 20°C; TENSILE STRENGTH >= 350 N/mm²; SURFACE ROUGHNESS R_a 6 MAX.
 - 2. PLATING FINISH: TIN. PLATING TO BE 2.5-5.0 μm ELECTRODEPOSITED TIN, MATTE FINISH OVER 1.25-2.5 μm DUCTILE SULPHAMATE NICKEL PER NOTE 1(D).
- D. PLATING REQUIREMENTS:
 - 1. SILVER PLATING
 - a. 99.5% PURE SEMI-BRIGHT WITH NO ORGANIC BRIGHTNERS OR CHROMATES.
 - 2. NICKEL PLATING
 - a. ELECTRODEPOSITED DUCTILE SULFAMATE NICKEL WITH A NON-BRIGHTENED FINISH. NO ORGANIC OR BRIGHTENING AGENTS SHALL BE ALLOWED.
 - b. SHALL ONLY BE USED AS AN UNDERLYING PLATING AND MAY NOT BE USED AS AN ELECTRICAL CONTACT SURFACE PLATING.
 - c. SHALL BE NODULE FREE WHEN VIEWED AT 10X MAGNIFICATION IN MEASURED IN CONTACT SURFACE AREA PLUS 0.5MM PERIMETER AROUND THE CONTACT SURFACE AREA.
 - d. ALL PLATINGS SHALL HAVE A 1.0% MAXIMUM BY WEIGHT IMPURITIES. IMPURITIES ARE DEFINED AS ALL ELEMENTS NOT THE PRIMARY PLATING OR HARDENING AGENT IF APPLICABLE, AS DETERMINED BY WET CHEMICAL ANALYSIS OR AUGER METHOD. NO SINGLE IMPURITY SHALL EXCEED 0.1% MAXIMUM BY WEIGHT.
 - 3. TESTING
 - a. THICKNESS TO BE MEASURED IN CONTACT SURFACE AREA PLUS 0.5MM PERIMETER AROUND THE CONTACT SURFACE AREA AS DESIGNATED IN THE DRAWING. THICKNESS SHALL BE DETERMINED BY METHOD OF X-RAY (XRF).
 - b. PLATING ADHESION SHALL BE TESTED BY A BEND TEST FOR ALL METALS. THE TEST SAMPLE SHALL BE BENT 90 DEGREES TO DETERMINE DEPOSIT ADHESION. TESTING SHALL BE COMPLETED IN ACCORDANCE WITH ASTM SPEC B571.

2. DESIGN - GENERAL:

- A. THIS IS A 100% CAD GENERATED PART. THE CAD MATHEMATICAL DATA IS THE MASTER FOR THIS PART. FOR DIMENSIONAL OR ANY INFORMATION NOT SHOWN ON THIS DRAWING, ANALYZE THE CAD MODEL.
- B. TOLERANCES:
 - 1. LINEAR
 - 0.X ± 0.30
 - 0.XX ± 0.10
 - 0.XXX ± 0.10
 - 2. ANGULAR X° ± 3°
 - 3. 
- C. MINIMUM WALL THICKNESS REQUIRED: 1.3mm.
- D. CORNERS SHOWN AS SHARP TO BE R 0.2 MAX.
- E. LETTERING SHALL BE 0.15 MAX RAISED IN 0.20 MAX RECESS PAD. THIS INCLUDES MATERIAL CODE, RECYCLING CODE, CAVITY ID AND DATE CODE.
- F-1. PARTS MUST BE FREE OF DISCOLORATION, SALT RESIDUE AND OTHER IMPERFECTIONS THAT AFFECT FIT OR FUNCTION.
- F-2. SCRATCHES OR DENTS NOT TO EXCEED 0.013mm IN DEPTH.
- G. FOLLOWING PRODUCTION CODES TO BE PERMANENTLY MARKED & HUMAN READABLE TO A LETTER HEIGHT OF 1.5 ± 0.5MM X 0.3 MAX DEEP
 - 1. MATERIAL #: XXXXX-XXXX
 - 2. DATE CODE: JJYY (JULIAN DAY, LAST DIGIT OF YEAR)
 - 3. INSPECTION MACHINE CODE + SERIAL #: X_XXXXX

3. DESIGN - MANUFACTURING:

- A. DRAFT TO BE WITHIN TOLERANCE.
- B. ALLOWABLE FLASH MAX 0.2 HIGH X MAX 0.13 THICK.
- C. ALLOWABLE PARTING LINE MISMATCH 0.2 MAX.
- D. EJECTOR PINS MARK TO BE FLUSH TO 0.25 MAX DEPRESSED.
- E. ALLOWABLE GATE VESTIGE FLUSH TO 0.25 MAX PROTRUSION.
- F. NO EXTERNAL MOLD RELEASE AGENT ALLOWED DURING MANUFACTURING.
- G. STEEL THAT FORMS THE INDICATED SURFACE MUST BE POLISHED WITH A DIAMOND FINISH (SPI A-2) OVER THE FULL PERIPHERY OF THE TOOL. SURFACE MUST HAVE NO MISMATCH.
- H. ANY PROCESS LUBRICANT REMAINING ON THE TERMINAL MUST NOT VARNISH OR DEGRADE IT'S ELECTRICAL PERFORMANCE UP TO A MAXIMUM CLASS AMBIENT TEMPERATURE PER SAE USCAR-2 FOR 1008 HOURS. PROCESS LUBRICANTS SHOULD BE APPROVED BY THE RESPONSIBLE ENGINEER.
- J. OPTIONAL FEATURES PROVIDED FOR AUTOMATION.
- K. PART MUST BE FREE FROM BURRS AND SHARP EDGES, WHICH MIGHT BE DETRIMENTAL TO SATISFACTORY ASSEMBLY, SAFE HANDLING OR FUNCTION OF PART.
- L. PARTS AS DELIVERED TO ASSEMBLY SHALL BE CLEAN AND FREE OF DEBRIS, RESIDUAL ABRASIVE MATERIAL AND CORROSION PRODUCTS ADVERESLY AFFECTING FUNCTION OR APPEARANCE.
- M. RESTRICTED AND REPORTABLE SUBSTANCES FOR PARTS PER GMW3059.

	PAGE TITLE	DRAWING NUMBER	DWG STATUS			PAGE NUMBER	
	NOTES		12672833	ST	REV	PDI	6 OF 22
				R	001		

NOTES: UNLESS OTHERWISE SPECIFIED

4. SYSTEM REQUIREMENTS:

- A. HARNESS CONNECTOR IS COMPATIBLE WITH THE FOLLOWING ISO WIRE SIZE NO'S:
 0.35mm², MEETING GMW15626 - MIN OD OF 1.30MM
 0.50mm², MEETING GMW15626
 0.75mm², MEETING GMW15626 - MAX OD OF 2.06MM

B. CABLE TIE SPECIFICATIONS:

1. CABLE TIE:
 - TENSILE RATING: 220N / (50lbs) MIN
 - TIE LENGTH: 186mm MIN
 - TIE WIDTH: 4.75mm MAX
 - MATERIAL: NYLON
2. INSTALLATION:
 - CABLE TIE TENSION: 190N MIN
3. DRESSED WIRE BUNDLE PACKAGING: SEE FIG. 1

C. WHEN MATED WITH COMPONENT CONNECTOR INTERFACE AND/OR DRESS COVER, HARNESS CONNECTOR SYSTEM CONFORMS TO THE FOLLOWING:

1. SAE/USCAR-2, REV: 3 APRIL, 2001; CLASS 3
2. FIELD CORRELATED LIFE TEST, SAE/USCAR-20, NOV. 2001
3. GMW #3191 AUGUST 22, 2000 (DRAFT); TEMPERATURE CLASS 3, SEALING CLASS 1, VIBRATION CLASS 2
4. RESTRICTED AND REPORTABLE CHEMICALS PER GMW #3059, REV: D AUGUST 2002
5. TPA USER FORCES (FULLY POPULATED WITH TERMINALS)
 - a. REMOVAL FROM LOCK TO PRE-SET: <=120N

D. WIRE SPECIFICATIONS:

1. WIRE SURFACE MUST BE FREE OF SCRATCHES, GROOVES OR DENTS WHERE FUNCTIONAL

5. TERMINAL CURRENT RATINGS:

A. MX64 RCPT TERM

ALL TESTING DONE IN ACCORDANCE WITH USCAR-2 REV5 SECTION 5.3

1. MX64 RCPT TERM Ag 0.50/0.75mm² CRIMPED TO 0.75mm² ISO WIRE AND MATED TO MX123 0.64MM PIN: SEE TABLE BELOW
2. MX64 RCPT TERM Ag 0.35mm² CRIMPED TO 0.35mm² ISO WIRE AND MATED TO MX123 0.64MM PIN: SEE TABLE BELOW

WIRE	CURRENT RATING			
	23°C	85°C	105°C	125°C
0.75mm ²	11.3A	11.3A	9.5A	6.6A
0.50mm ²	10.0A	10.0A	8.3A	5.7A
0.35mm ²	8.5A	8.5A	7.1A	5.0A

B. 2.8MM RCPT TERM

ALL TESTING DONE IN ACCORDANCE WITH MOLEX DVP&R 0279 (TR # 7125)

1. 2.8MM RCPT TERM TIN 2.0mm² CRIMPED TO 2.0mm² ISO WIRE AND MATED TO MX123 2.8MM BLADE: 25.6 AMPS AT 125°C

6. CONTACT MOLEX AUTOMOTIVE FOR AVAILABLE CUSTOM PATTERNS OF CAVITIES OPEN FOR CIRCUITS - SEE GM DRAWING 13507496



PAGE TITLE
NOTES

DRAWING NUMBER

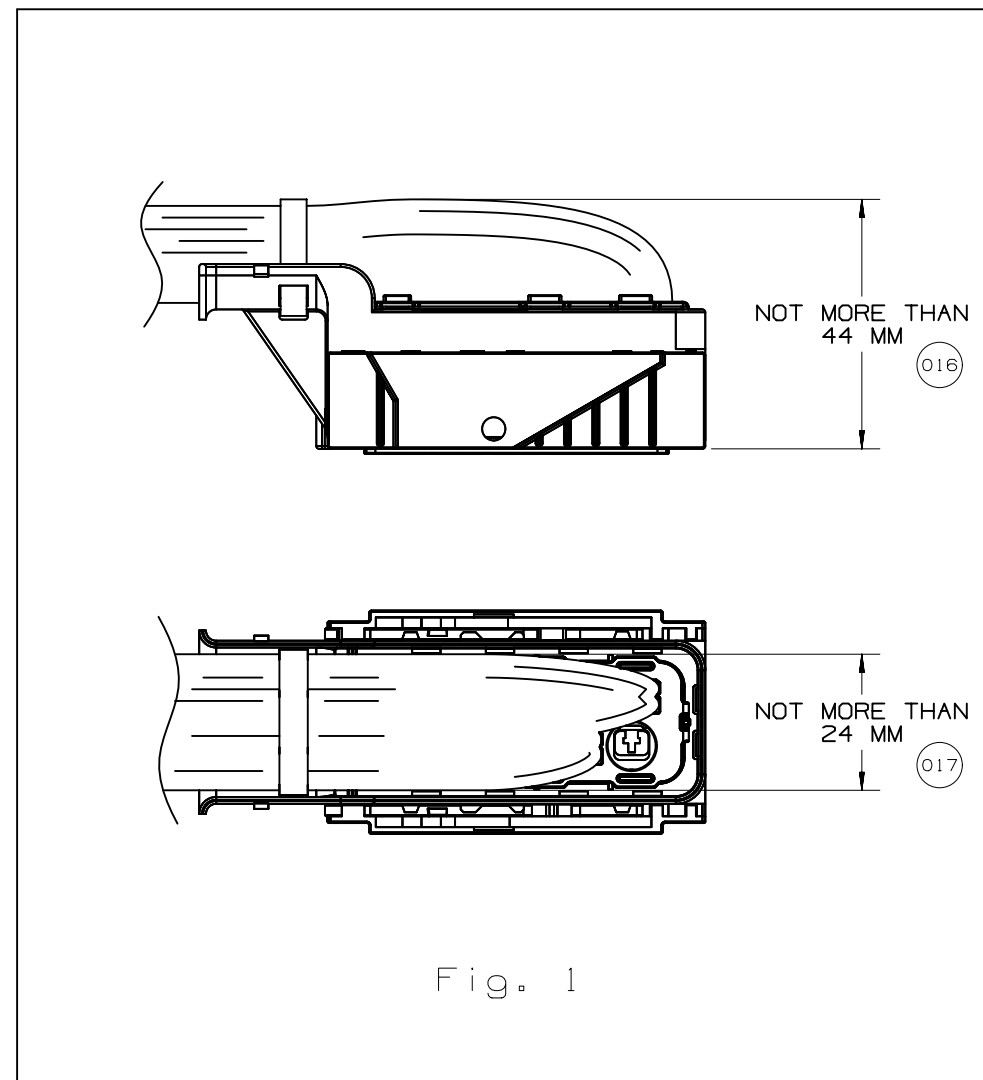
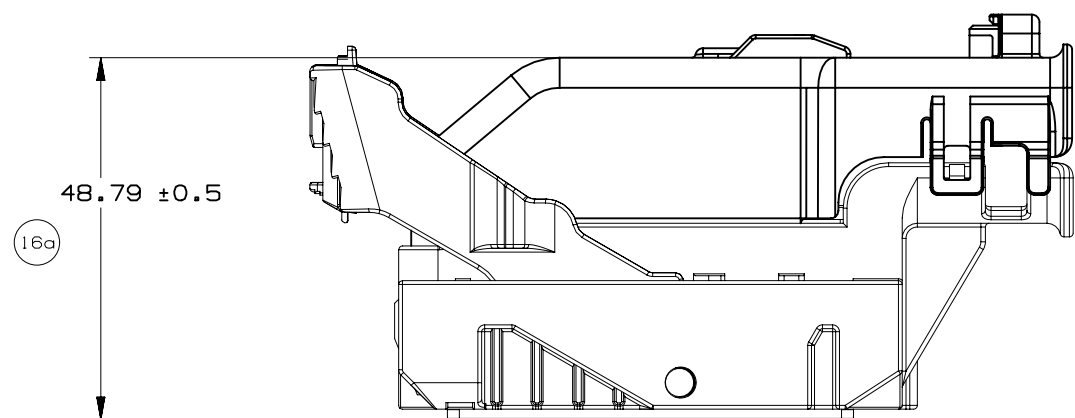
12672833

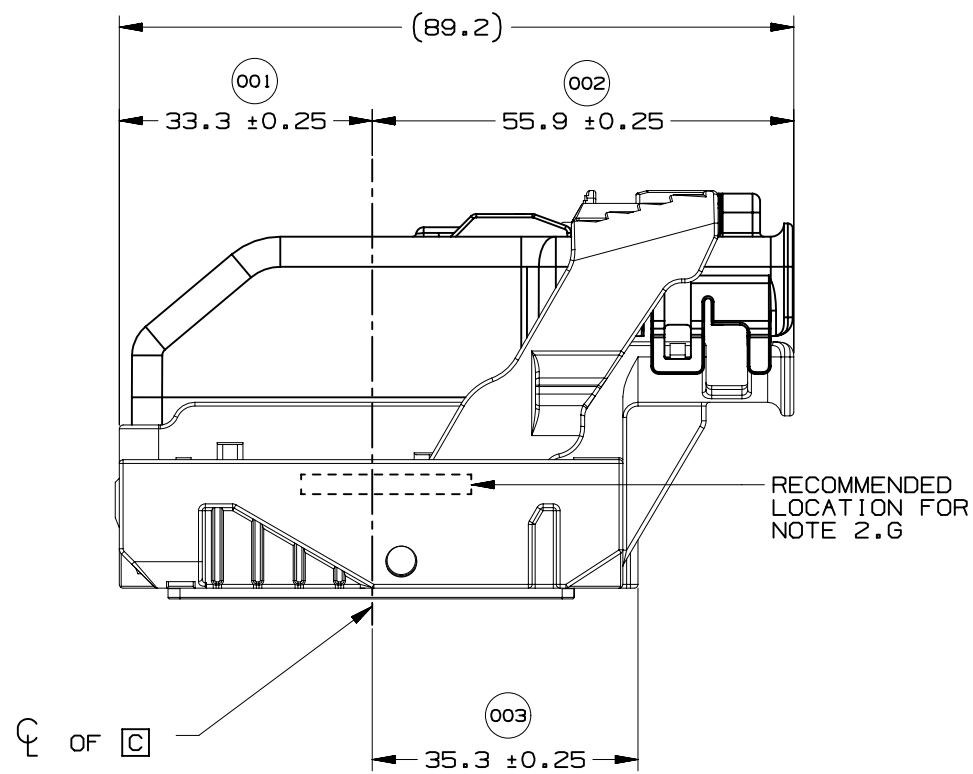
DWG STATUS

ST	REV	PDI
R	001	

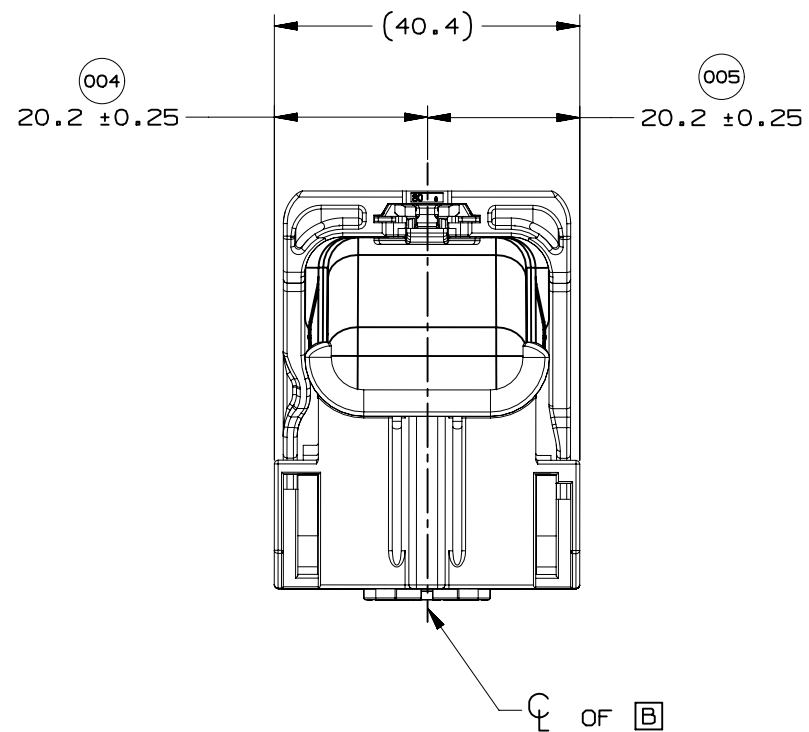
PAGE NUMBER

7 OF 22

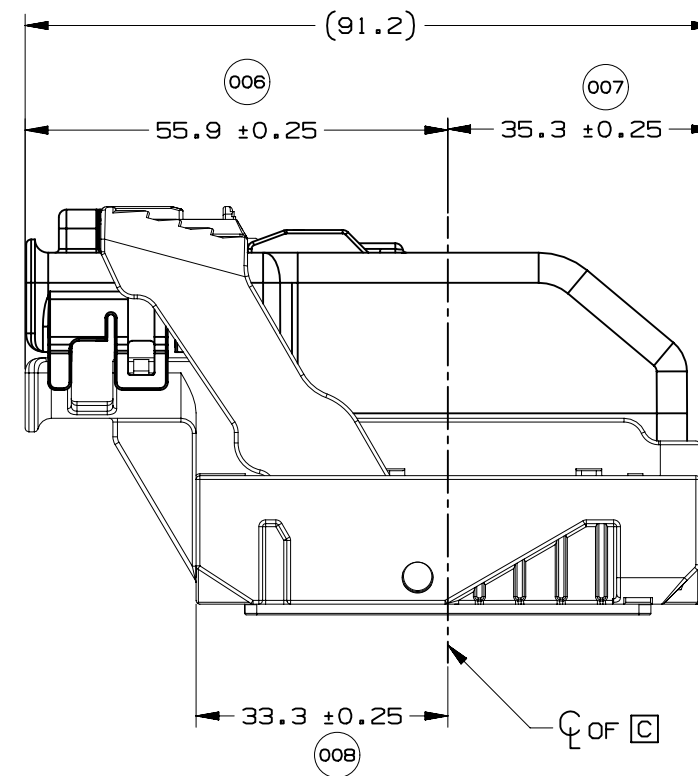




WIRE DRESS OPTION 0 SHOWN



WIRE DRESS OPTION 0 SHOWN



WIRE DRESS OPTION 9 SHOWN

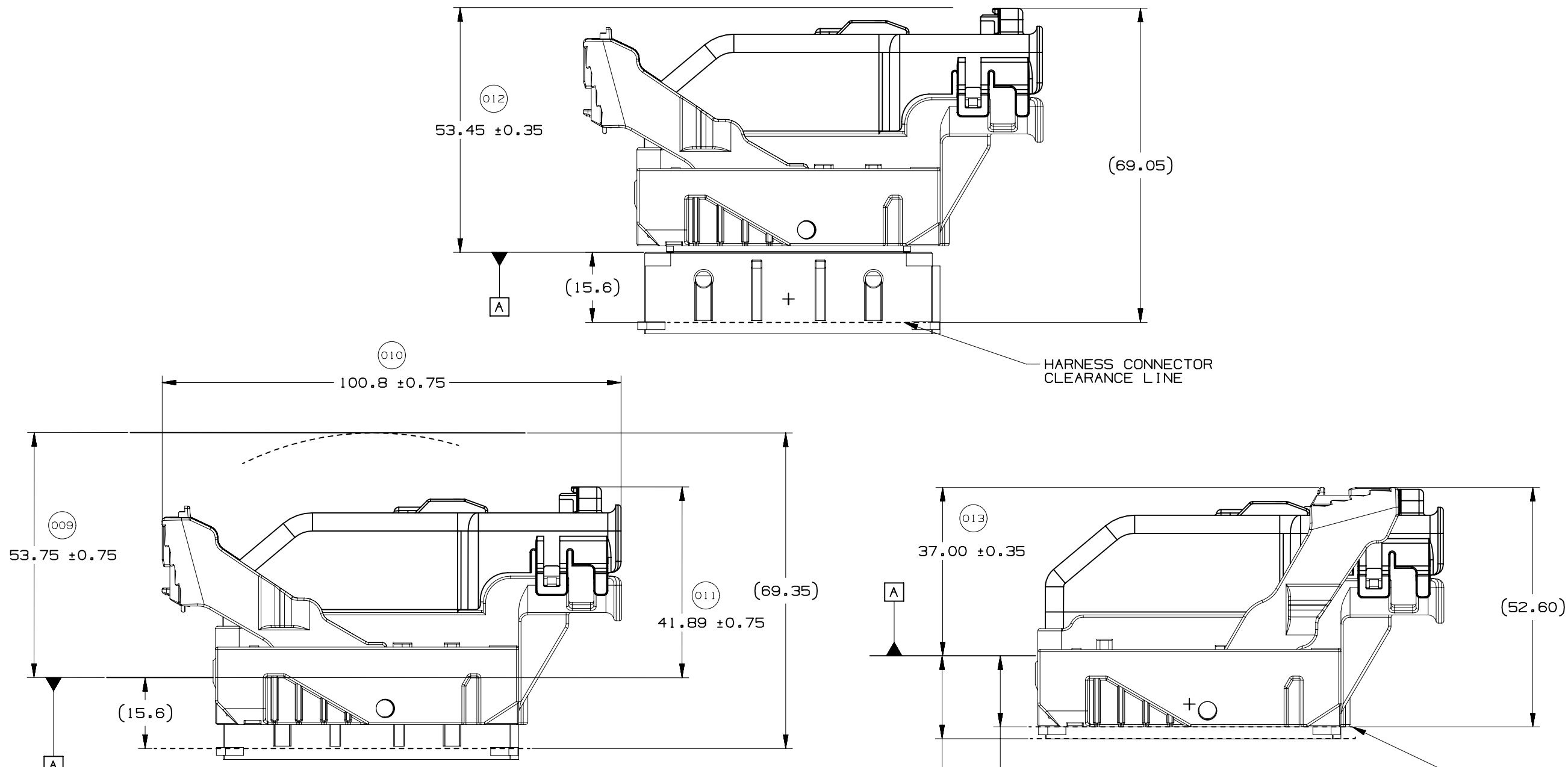


PAGE TITLE
 LOCATION AND PACKAGING DIMENSIONS
 REFERENCING INTERFACE DATUMS B & C

DRAWING NUMBER
 12672833

DWG STATUS		
ST	REV	PD1
R	001	

PAGE NUMBER
 9 OF 22



HARNESS CONNECTOR CLEARANCE LINE

HARNESS CONNECTOR ASSEMBLY IN FULLY-MATED POSITION

HARNESS CONNECTOR CLEARANCE LINE

15.6 MIN. ALL AROUND CLEARANCE REQUIRED FOR HARNESS CONNECTOR (014)

17.9 MIN. AT PAD LOCATION CLEARANCE REQUIRED FOR HARNESS CONNECTOR CONSTRUCTION BELOW THIS PLANE IS NOT CONTROLLED (015)

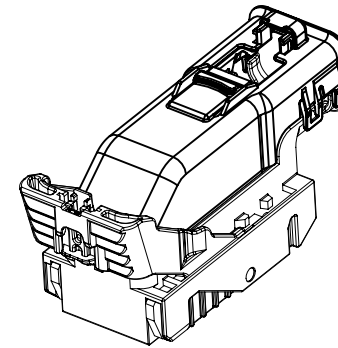
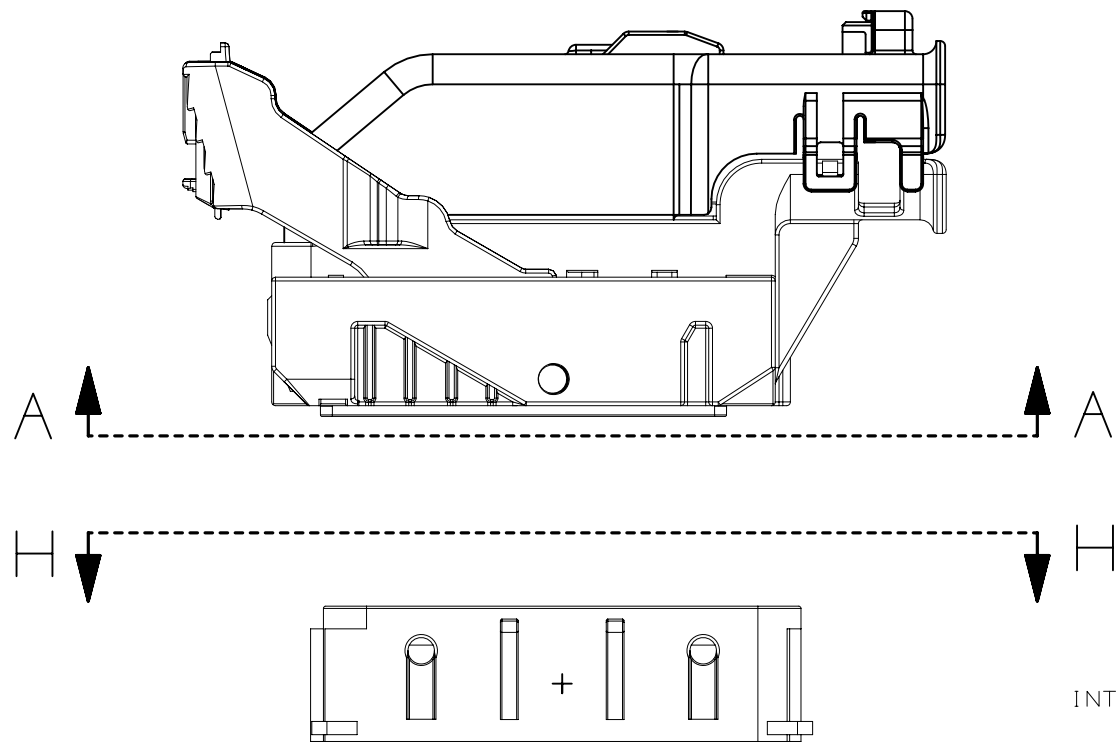


PAGE TITLE
LOCATION AND PACKAGING DIMENSIONS
REFERENCING INTERFACE DATUM A

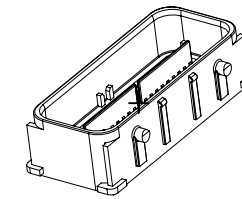
DRAWING NUMBER
12672833

DWG STATUS		
ST	REV	PD1
R	001	

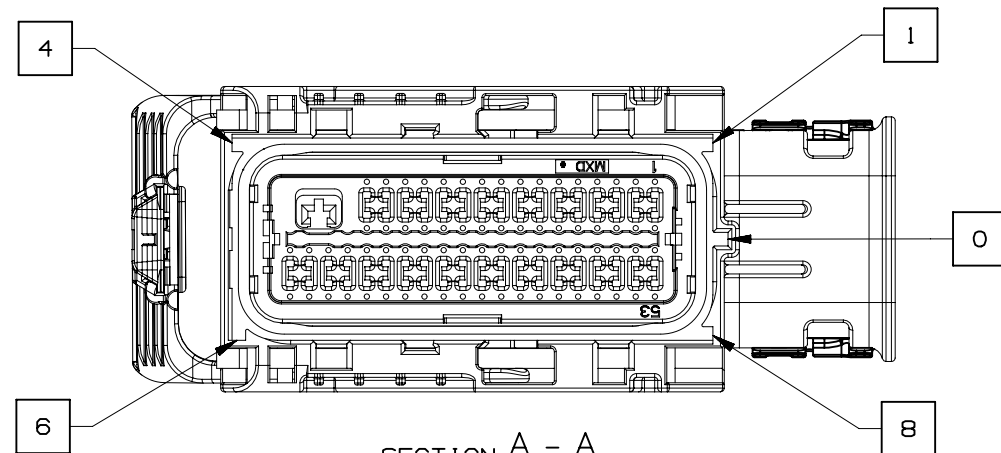
PAGE NUMBER
10 OF 22



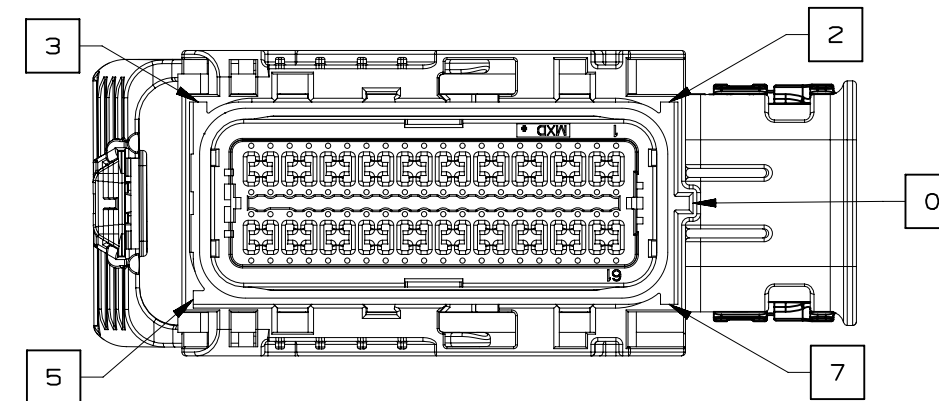
NOTE: REFERENCE THE COMPONENT TABLE FOR KEY OPTIONS AND CONFIGURATIONS



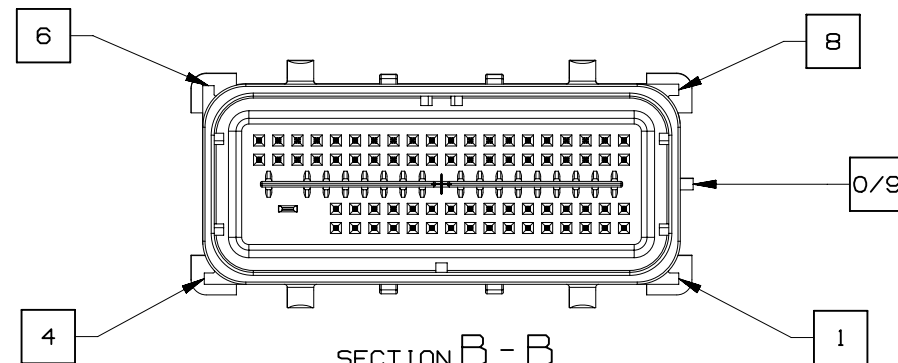
INTERFACE SIDE SHOWN ON ALL SECTION VIEWS



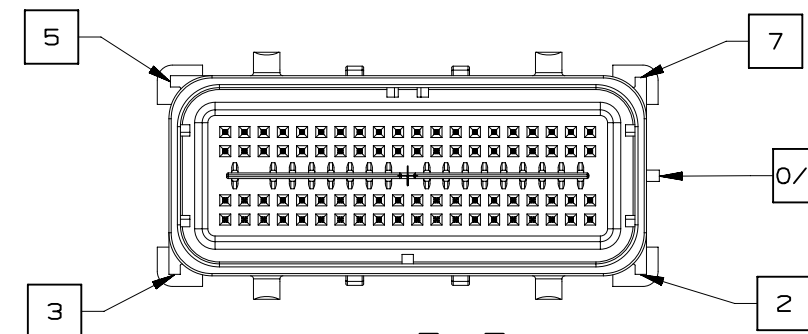
SECTION A - A
73 CKT HARNESS CONNECTOR ASSEMBLY
KEY OPTION B SHOWN



SECTION A - A
80 CKT HARNESS CONNECTOR ASSEMBLY
KEY OPTION K SHOWN



SECTION B - B
73 CKT HARNESS CONNECTOR ASSEMBLY
KEY OPTION B SHOWN



SECTION B - B
80 CKT HARNESS CONNECTOR ASSEMBLY
KEY OPTION K SHOWN

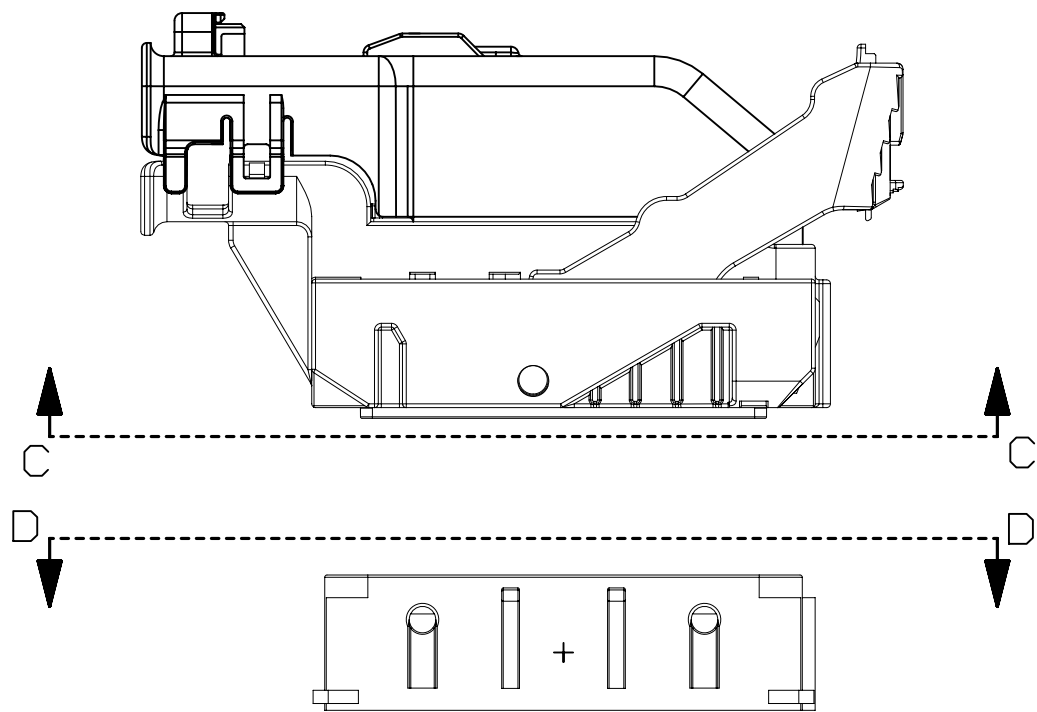


PAGE TITLE
KEY ID REF - WIRE DRESS OPTION 0

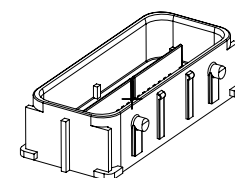
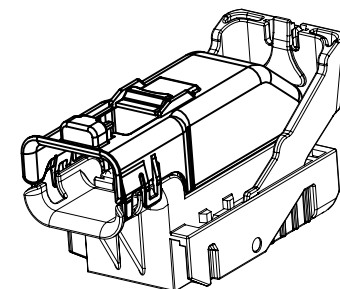
DRAWING NUMBER
12672833

DWG STATUS		
ST	REV	PD1
R	001	

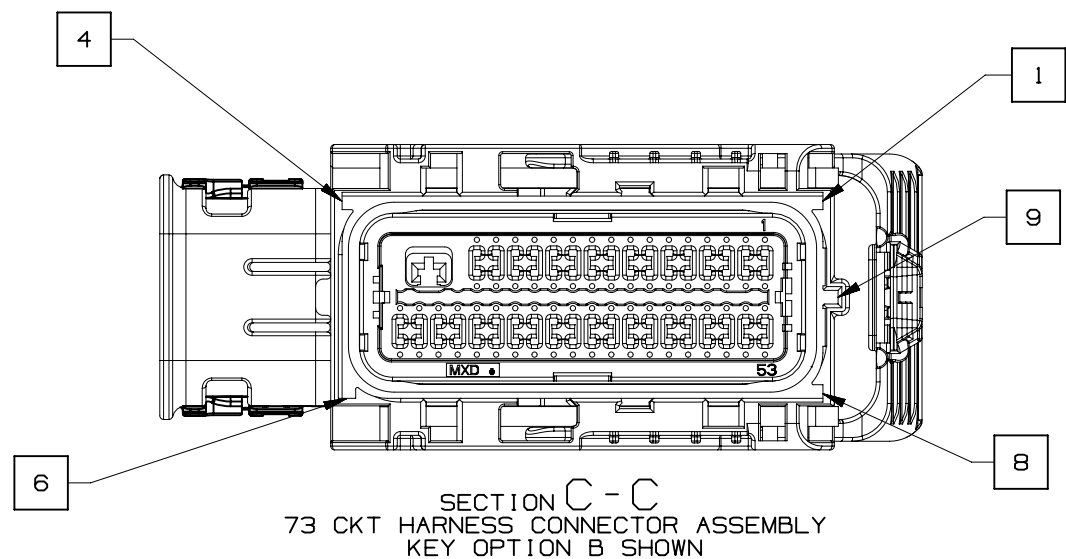
PAGE NUMBER
11 OF 22



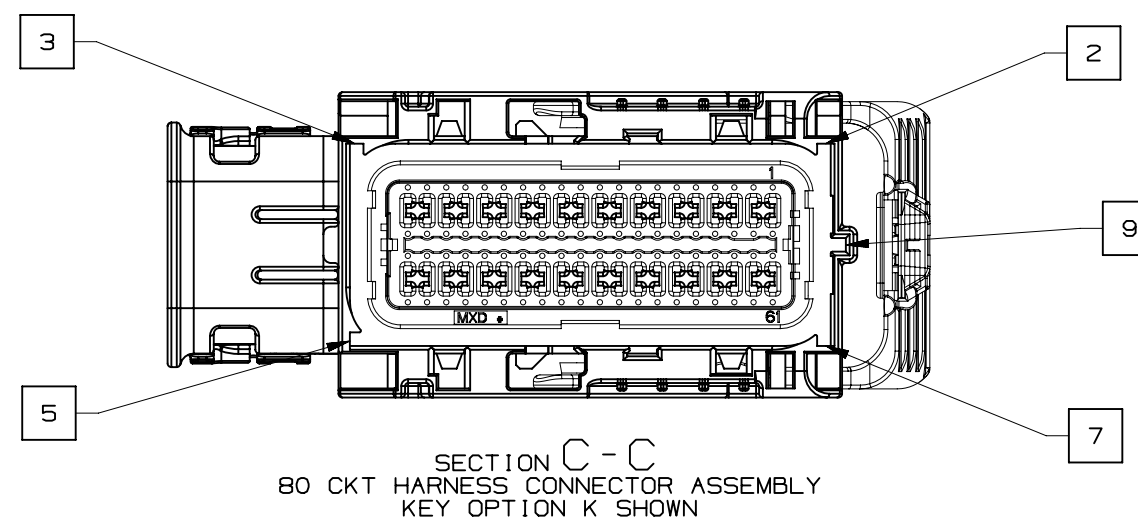
INTERFACE SIDE SHOWN ON ALL SECTION VIEWS



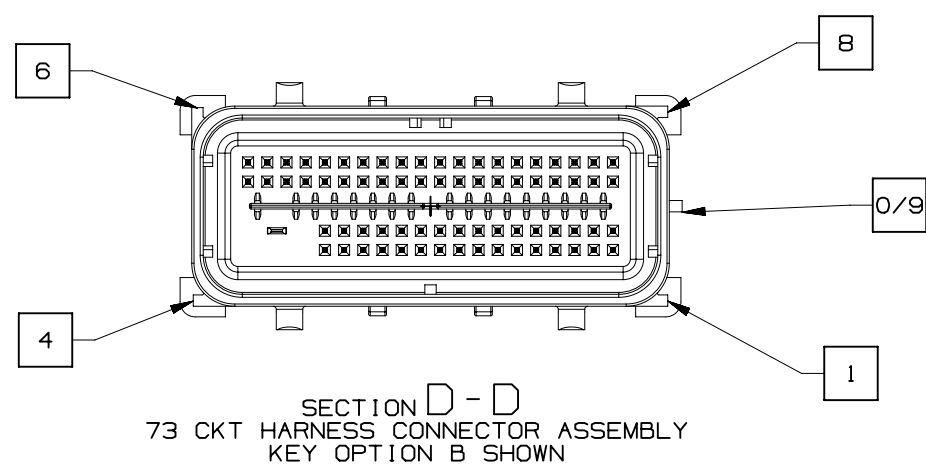
NOTE: REFERENCE THE COMPONENT TABLE FOR KEY OPTIONS AND CONFIGURATIONS



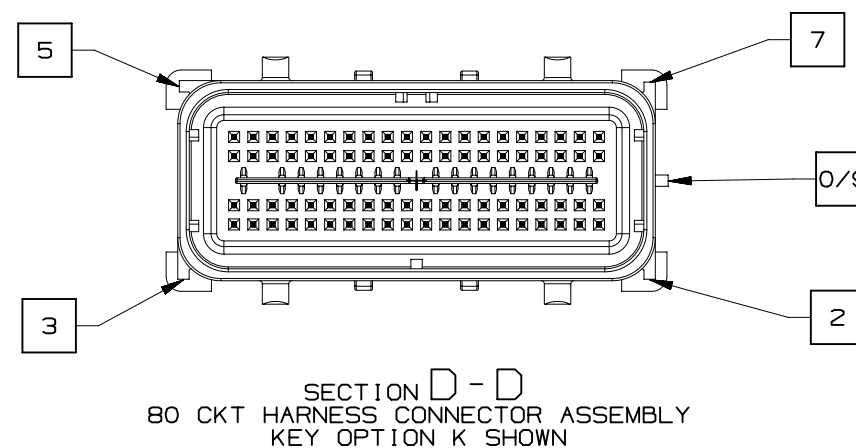
SECTION C - C
73 CKT HARNESS CONNECTOR ASSEMBLY
KEY OPTION B SHOWN



SECTION C - C
80 CKT HARNESS CONNECTOR ASSEMBLY
KEY OPTION K SHOWN



SECTION D - D
73 CKT HARNESS CONNECTOR ASSEMBLY
KEY OPTION B SHOWN



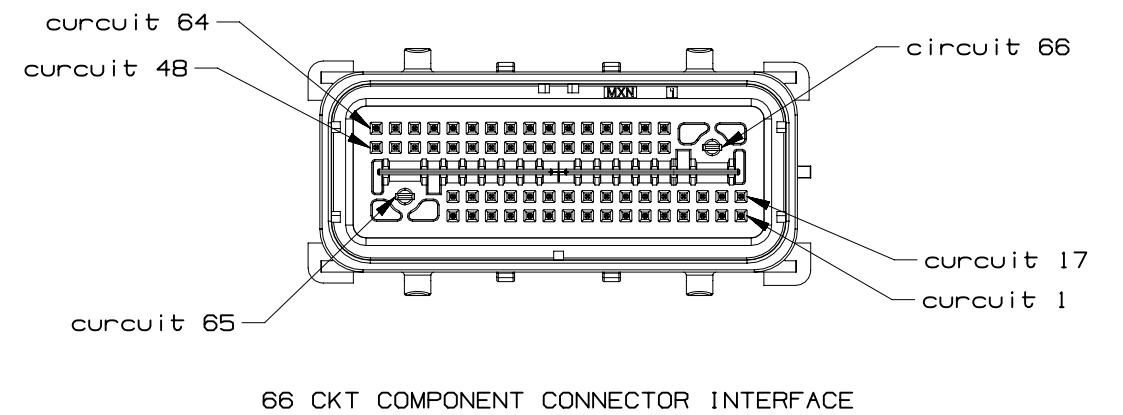
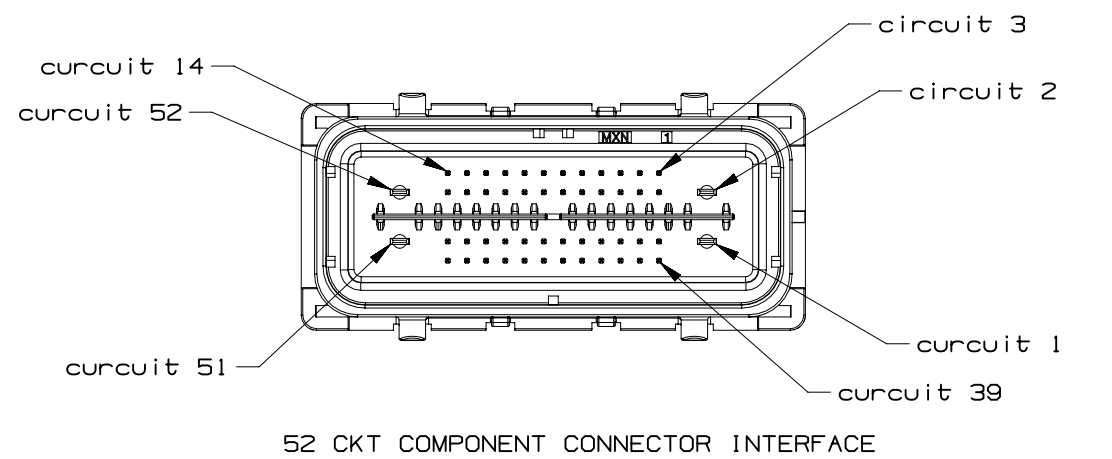
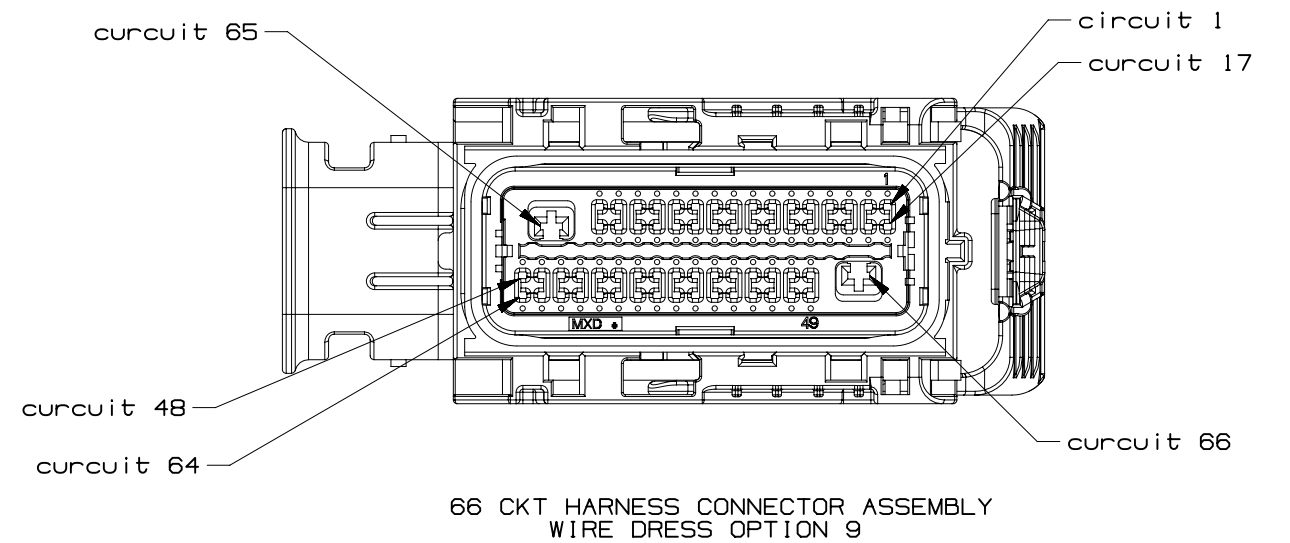
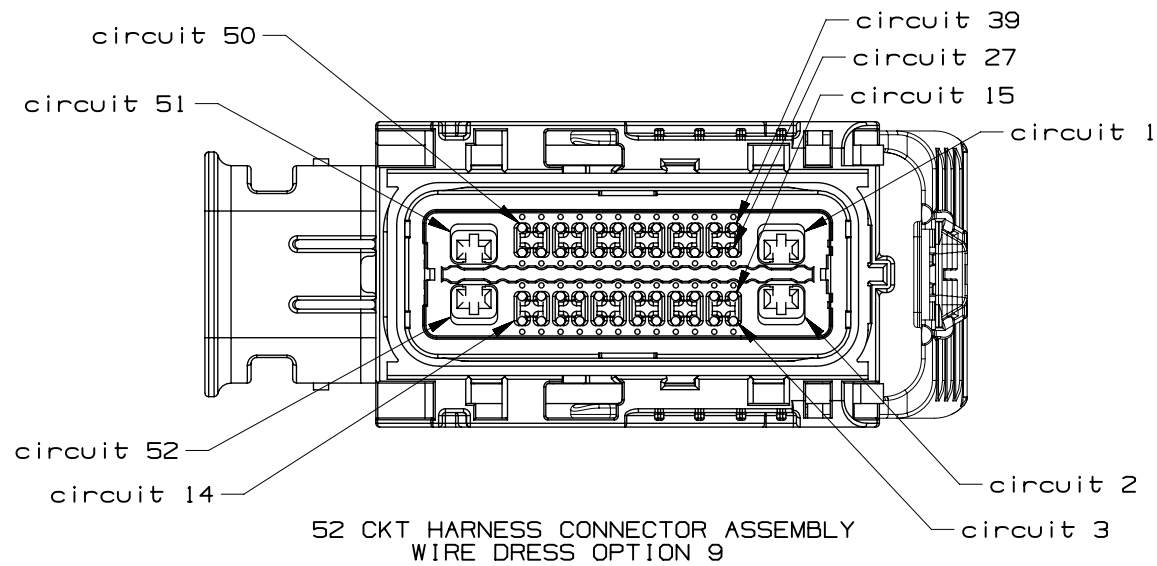
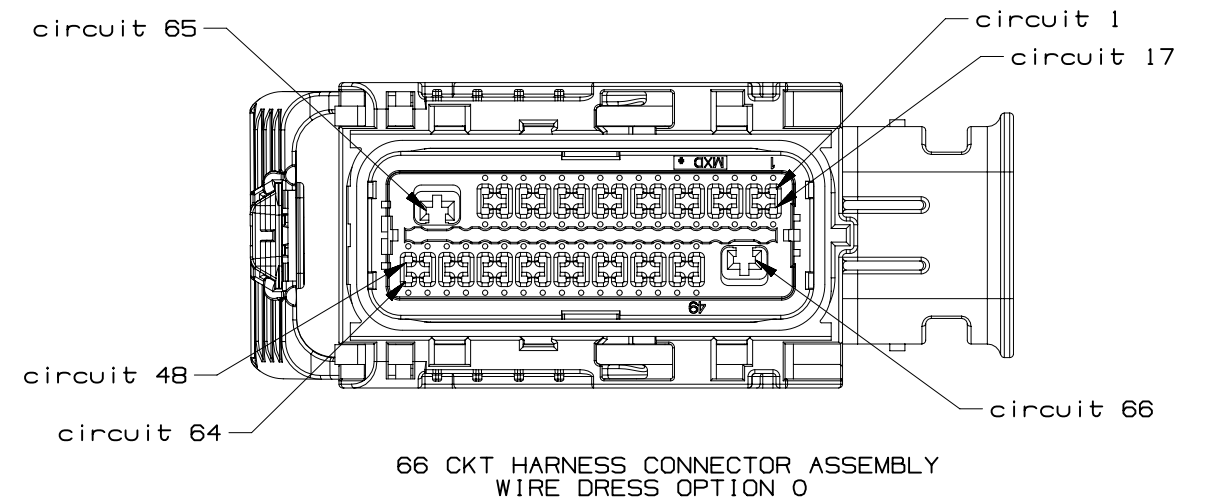
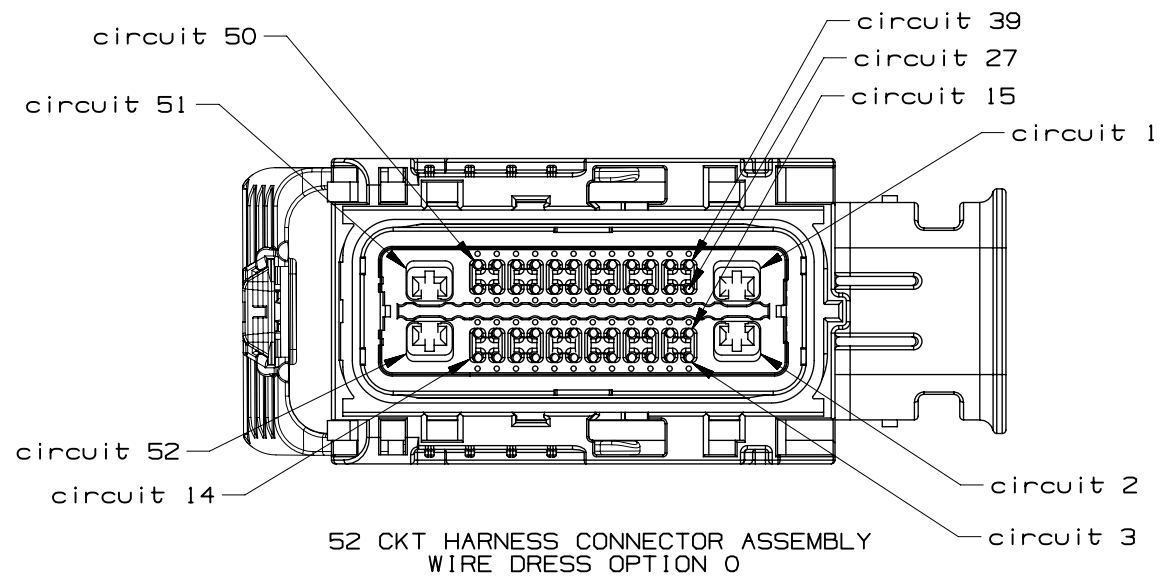
SECTION D - D
80 CKT HARNESS CONNECTOR ASSEMBLY
KEY OPTION K SHOWN

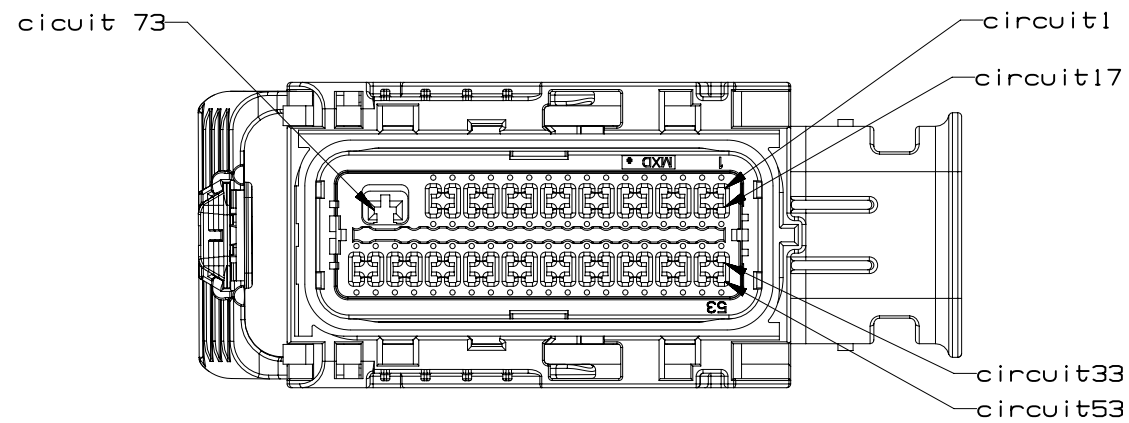


PAGE TITLE
KEY ID REF - WIRE DRESS OPTION 9

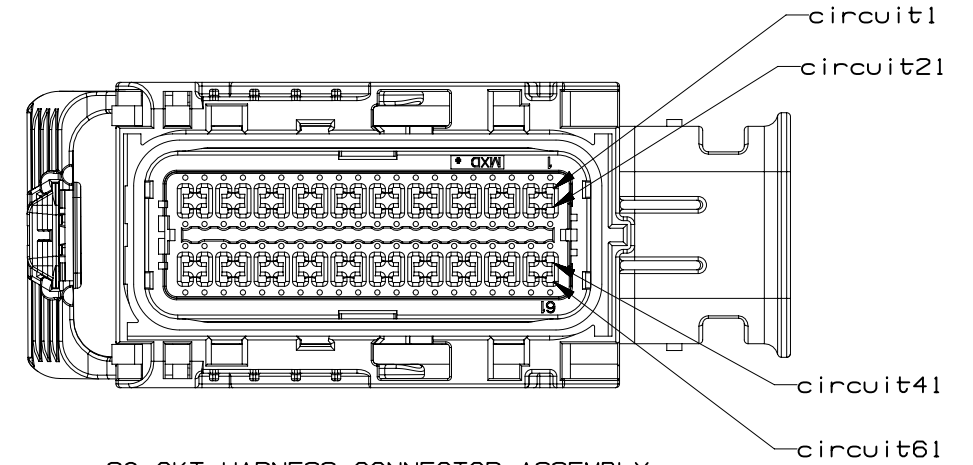
DRAWING NUMBER
12672833

DWG STATUS			PAGE NUMBER
ST	REV	PD1	
R	001		12 OF 22



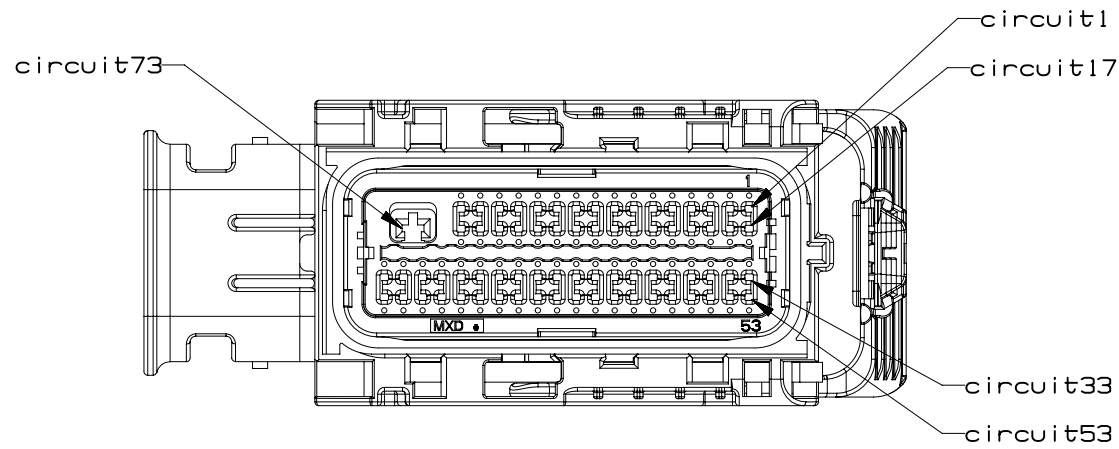


73 CKT HARNESS CONNECTOR ASSEMBLY
WIRE DRESS OPTION 0

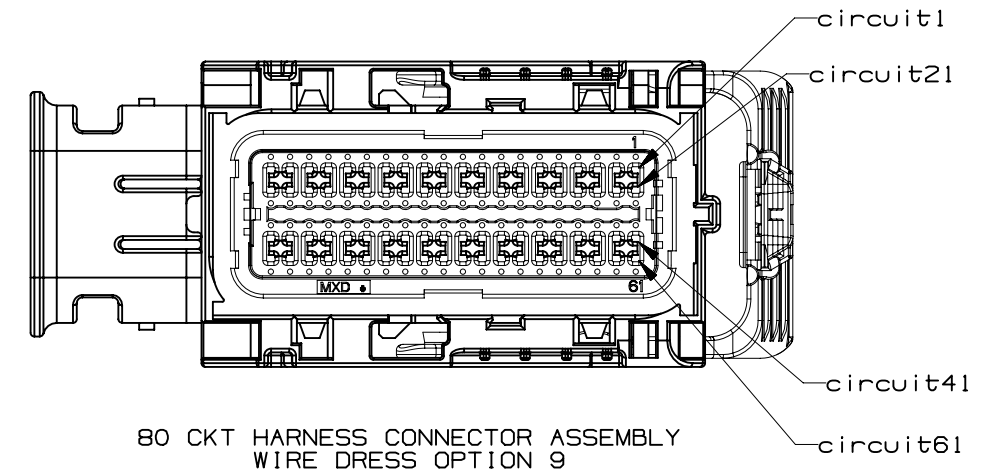


80 CKT HARNESS CONNECTOR ASSEMBLY
WIRE DRESS OPTION 0

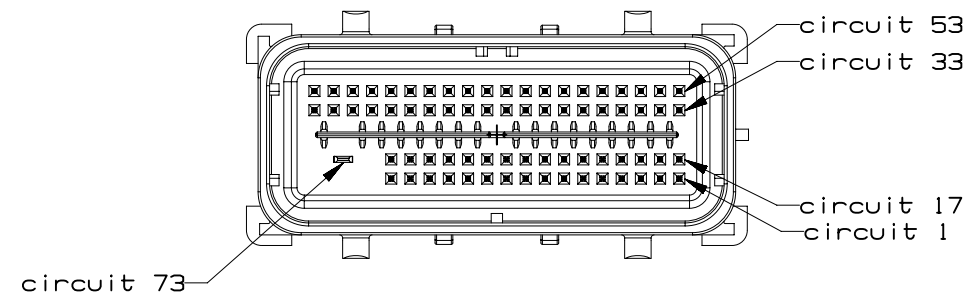
INTERFACE SIDE SHOWN ON ALL VIEWS



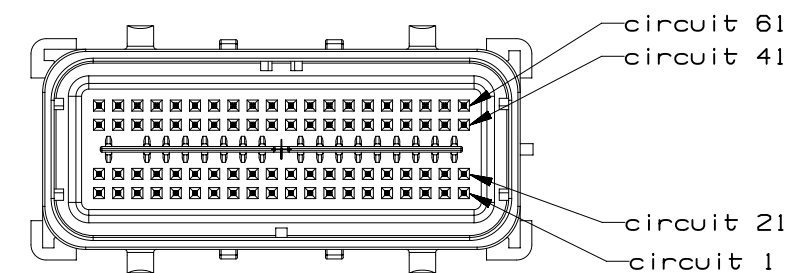
73 CKT HARNESS CONNECTOR ASSEMBLY
WIRE DRESS OPTION 9



80 CKT HARNESS CONNECTOR ASSEMBLY
WIRE DRESS OPTION 9

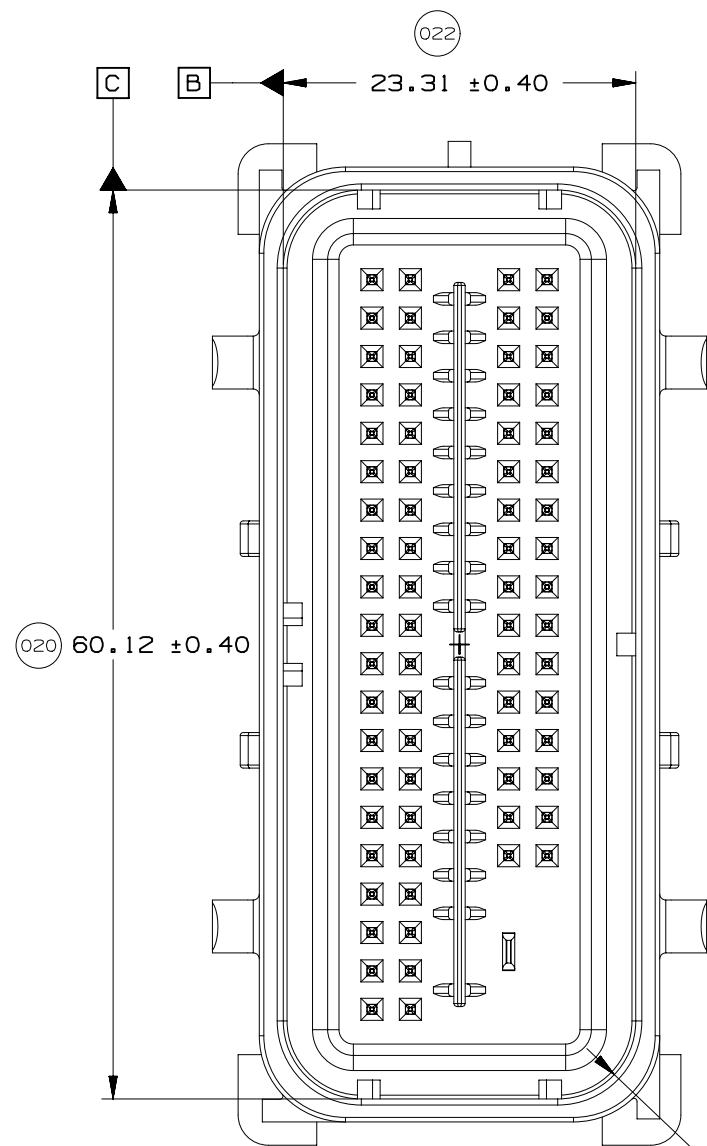
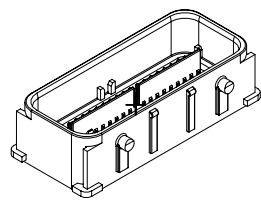


73 CKT COMPONENT CONNECTOR INTERFACE

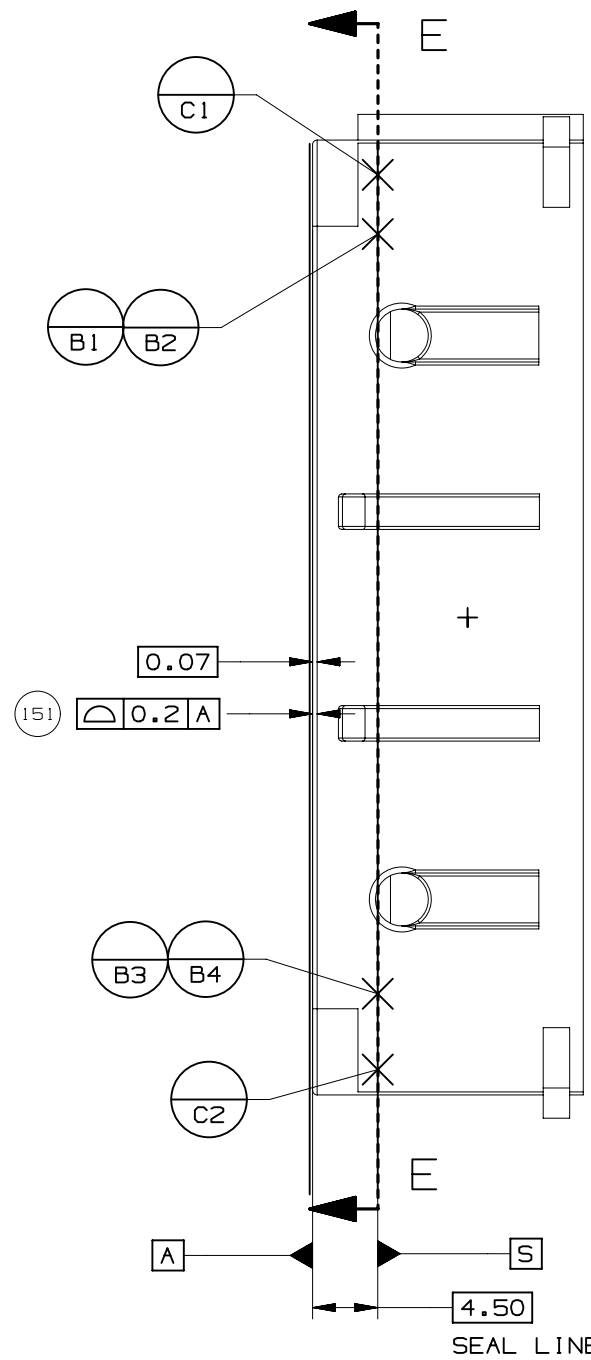


80 CKT COMPONENT CONNECTOR INTERFACE

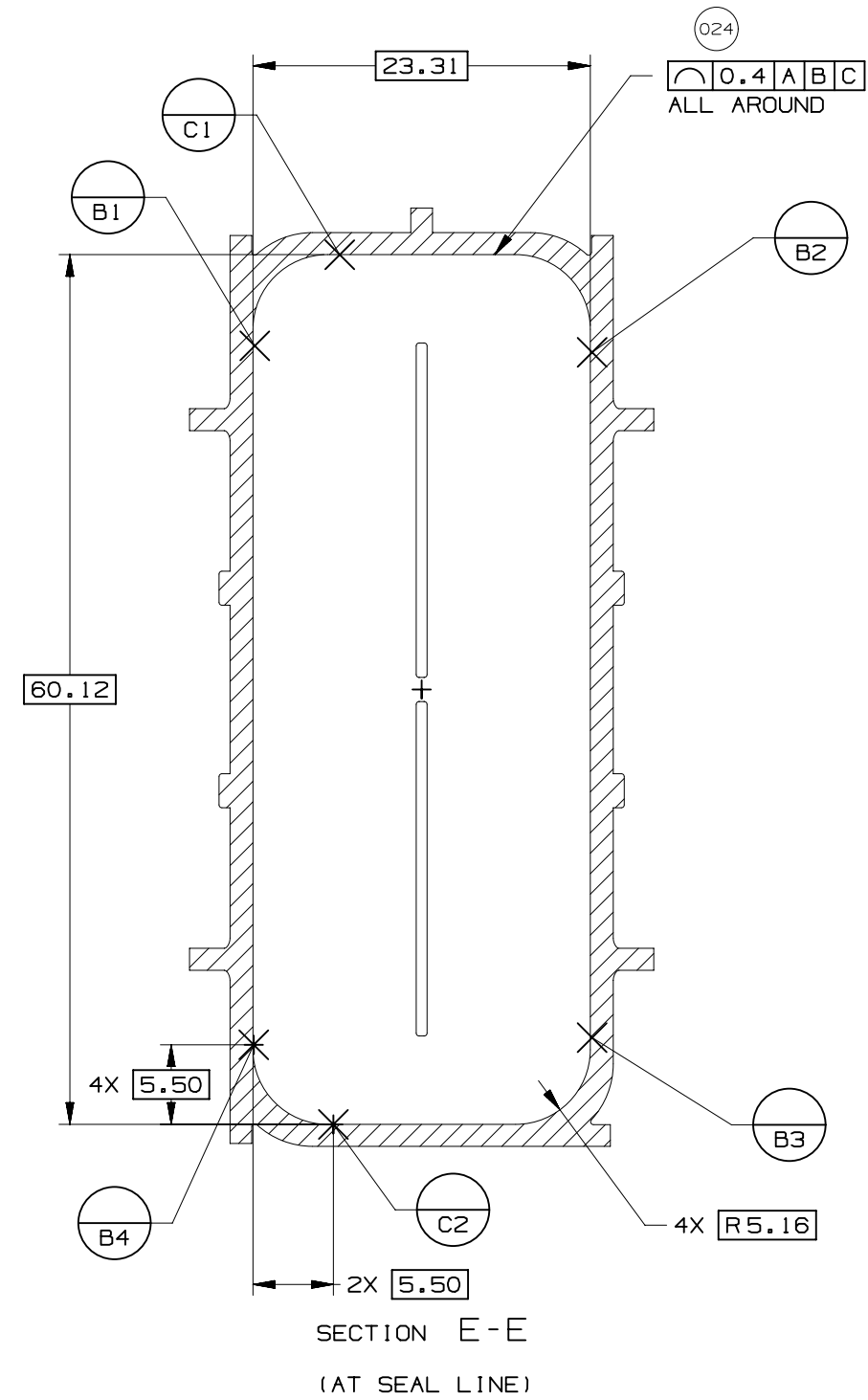




4X R5.16 ± 0.30



SEAL LINE



SECTION E-E
(AT SEAL LINE)

UNLESS SPECIFIED, TOLERANCE OF THE COMPONENT CONNECTOR INTERFACE TO BE $\sqrt[0.13]{A B C}$

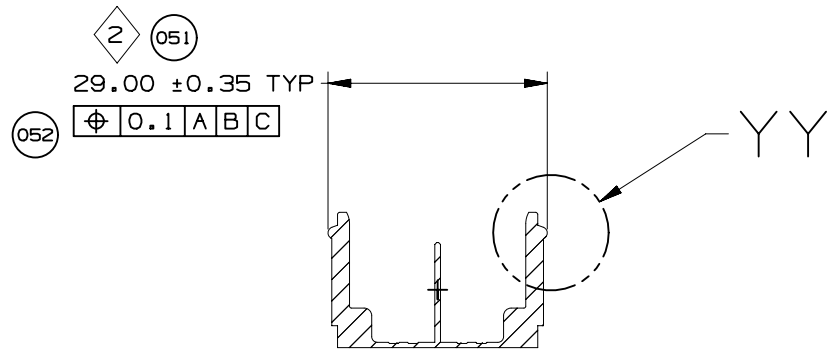
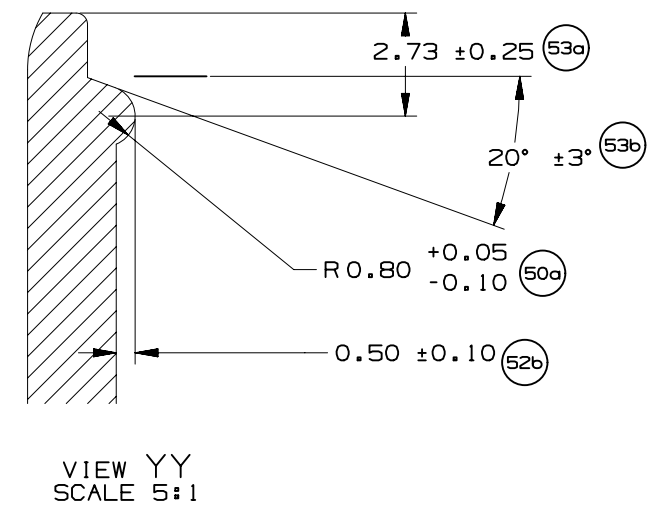
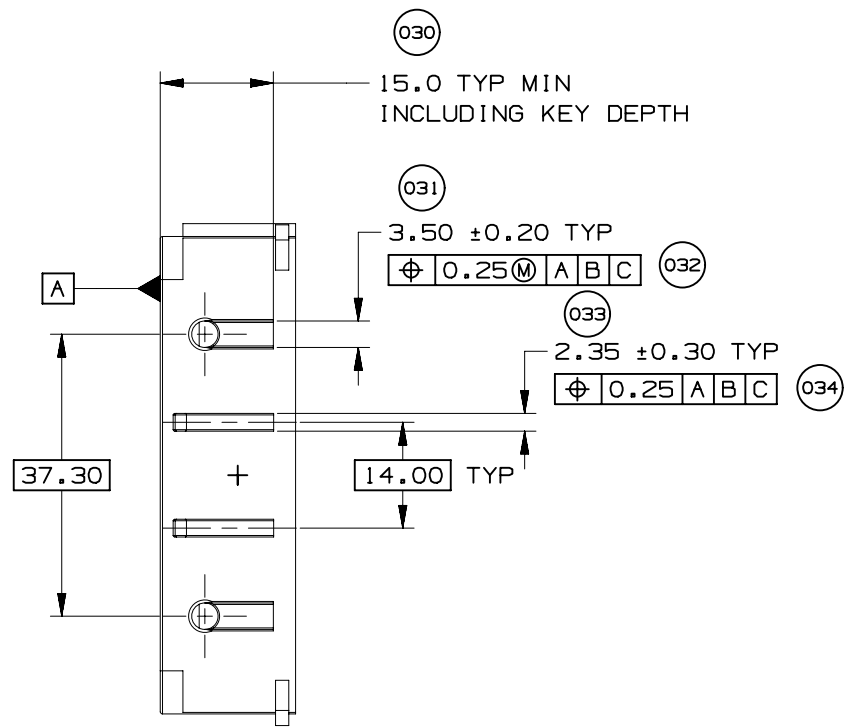
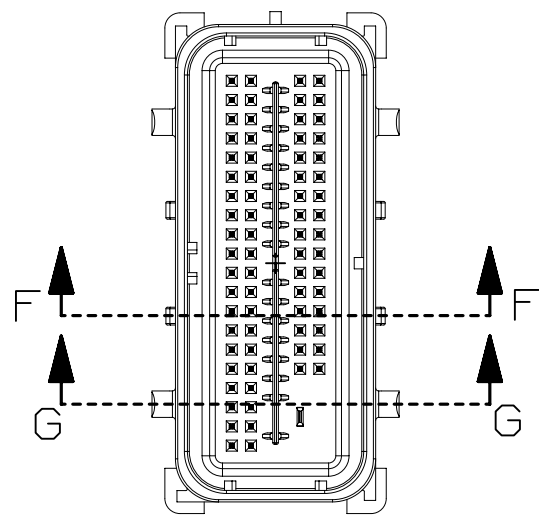


PAGE TITLE
COMPONENT CONNECTOR INTERFACE

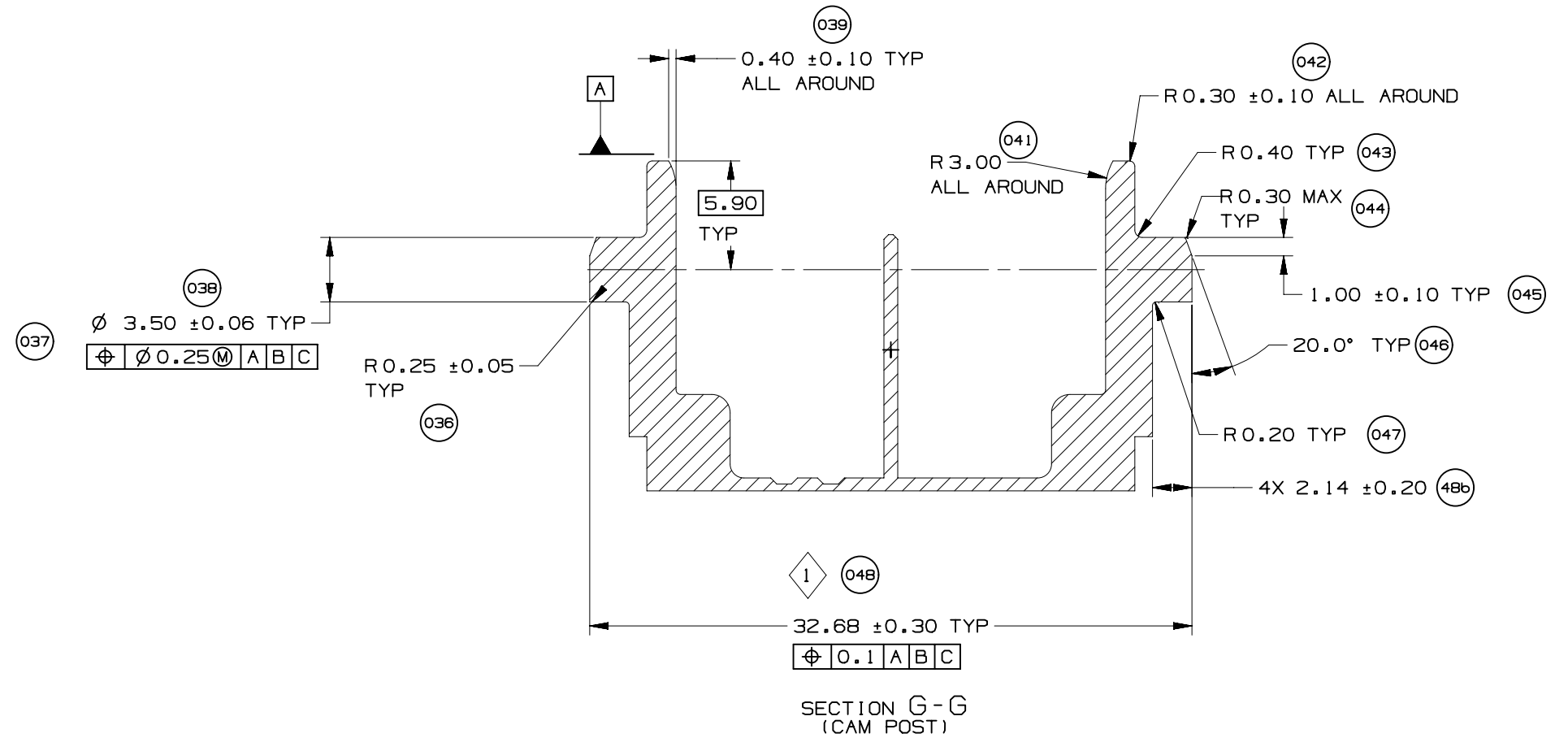
DRAWING NUMBER
12672833

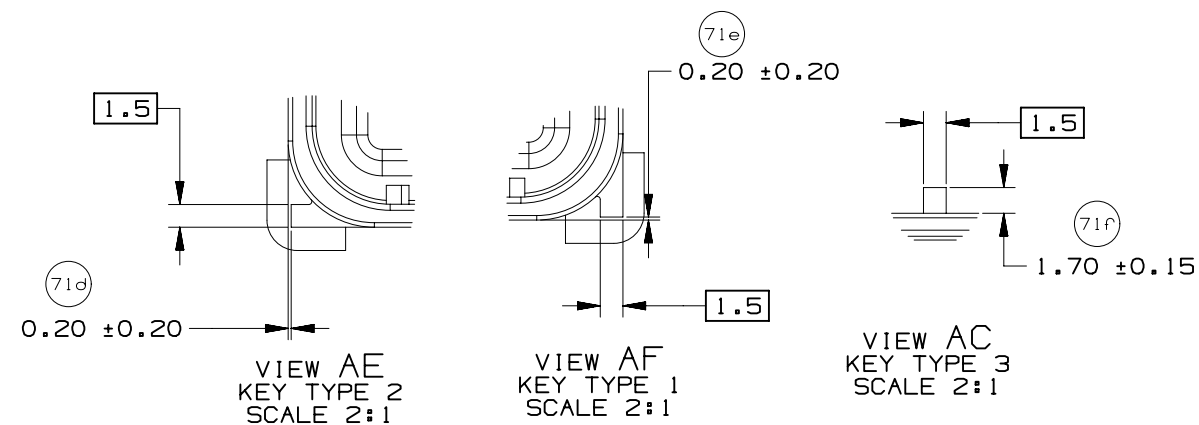
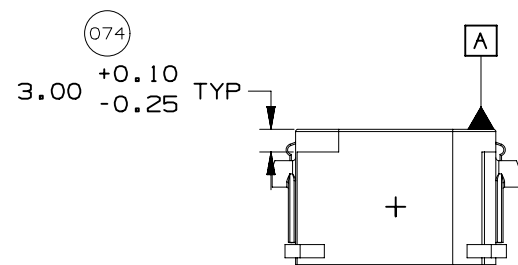
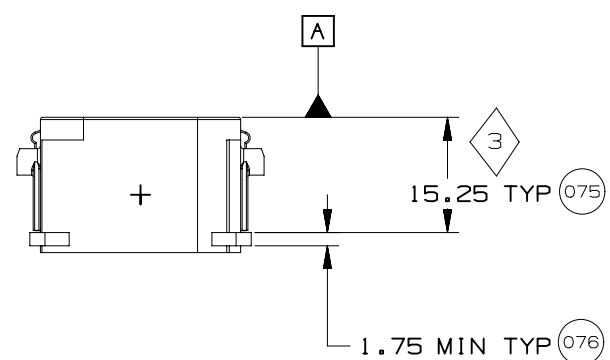
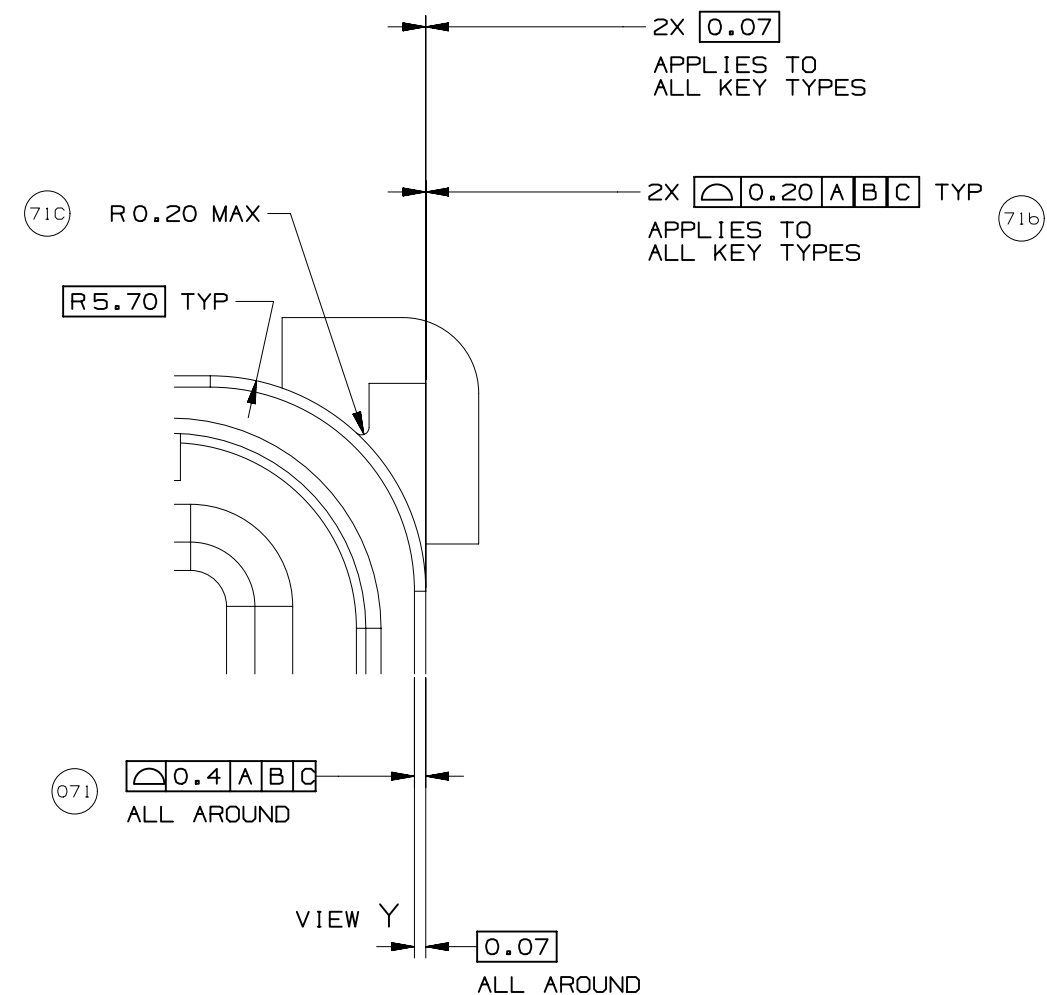
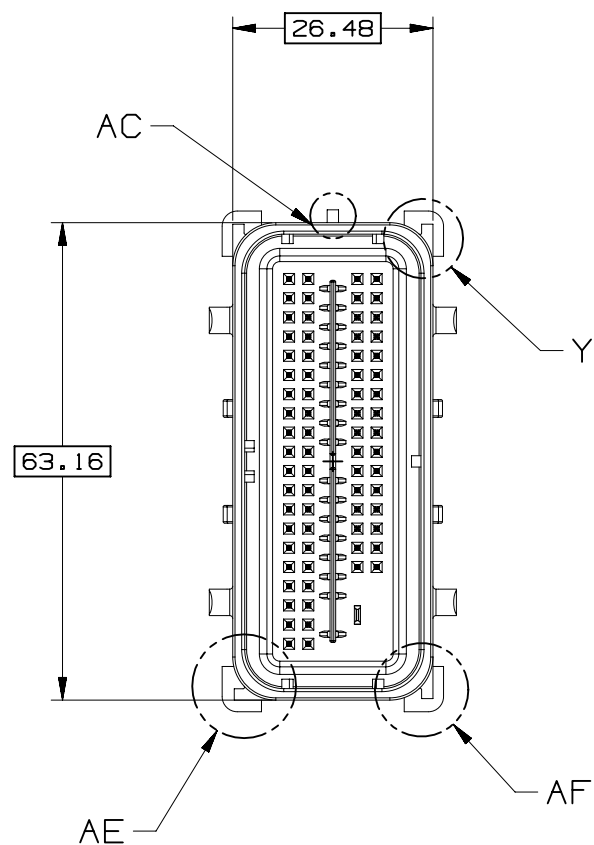
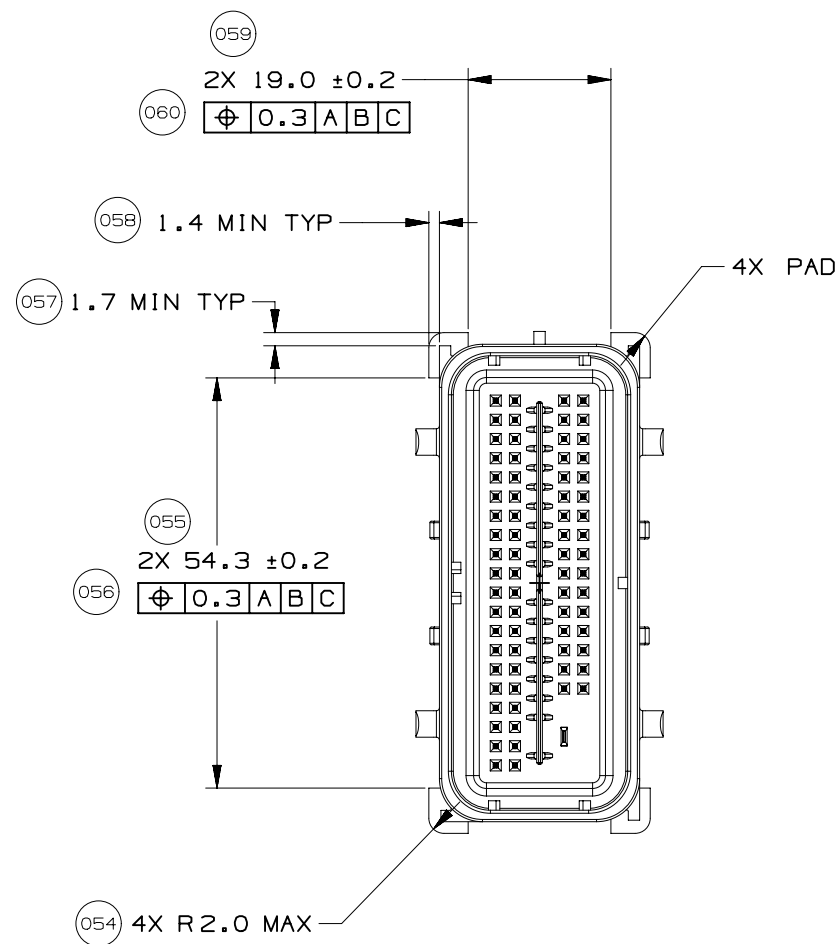
DWG STATUS		
ST	REV	PD1
R	001	

PAGE NUMBER
15 OF 22



SECTION F-F
(RELEASE FEATURE)

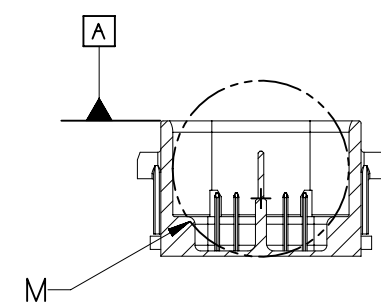
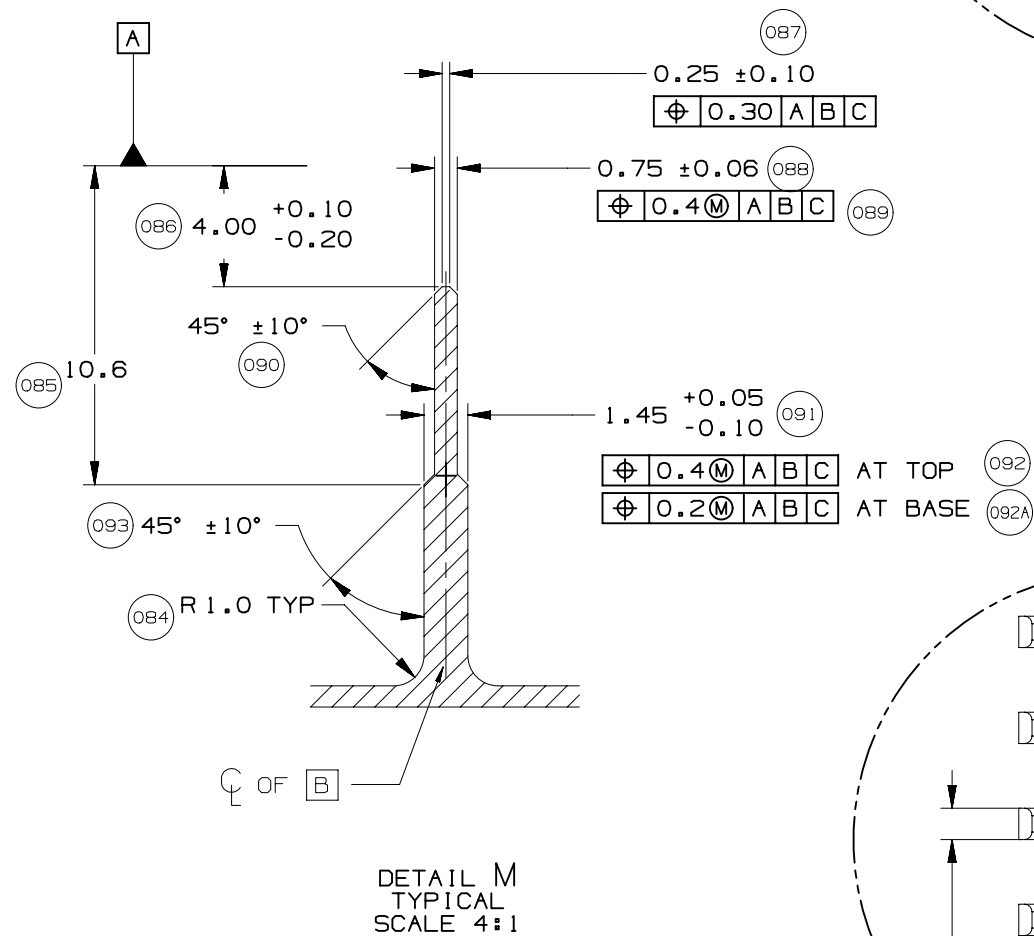
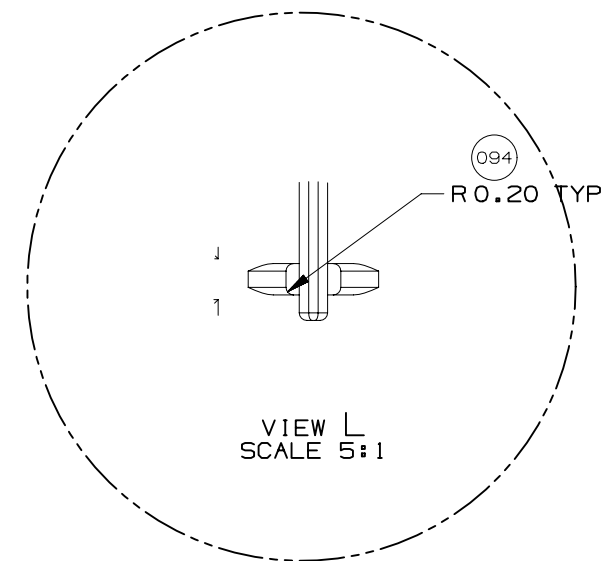
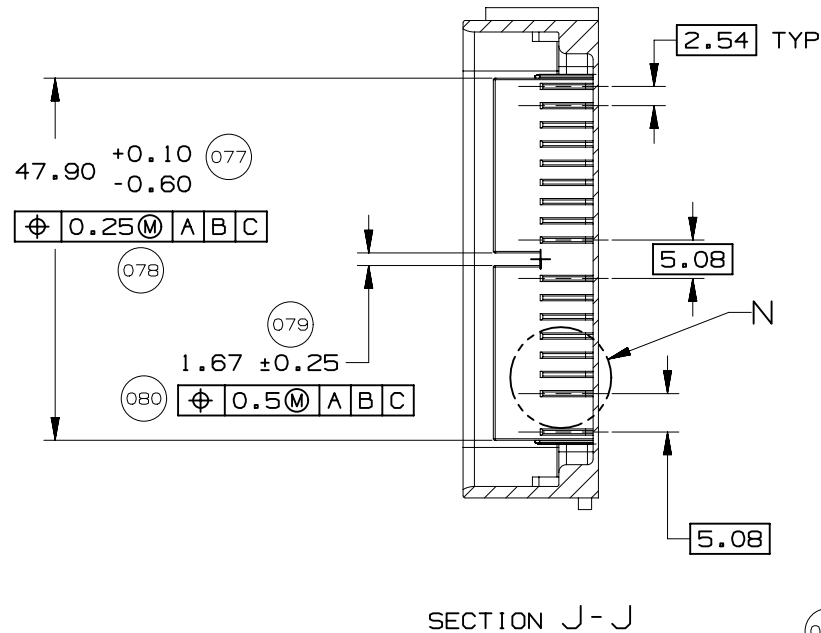
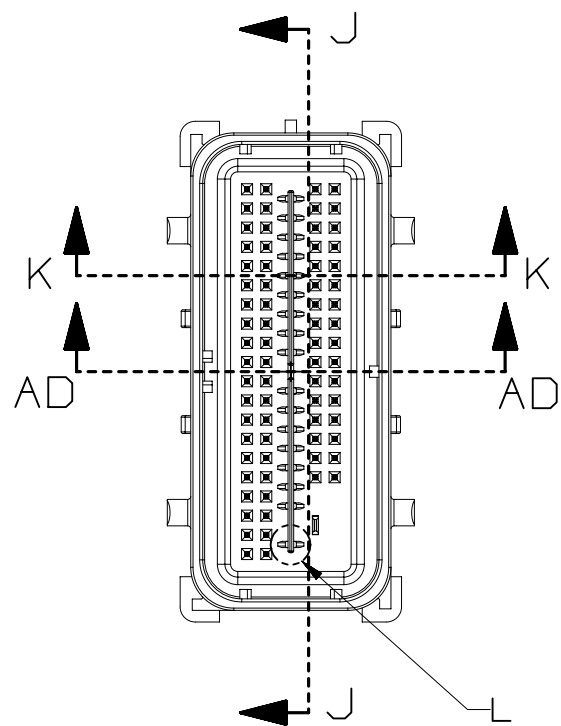




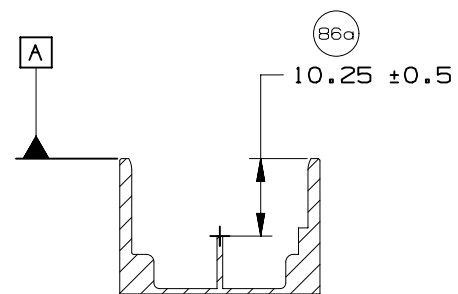
PAGE TITLE
 COMPONENT CONNECTOR INTERFACE

DRAWING NUMBER
 12672833

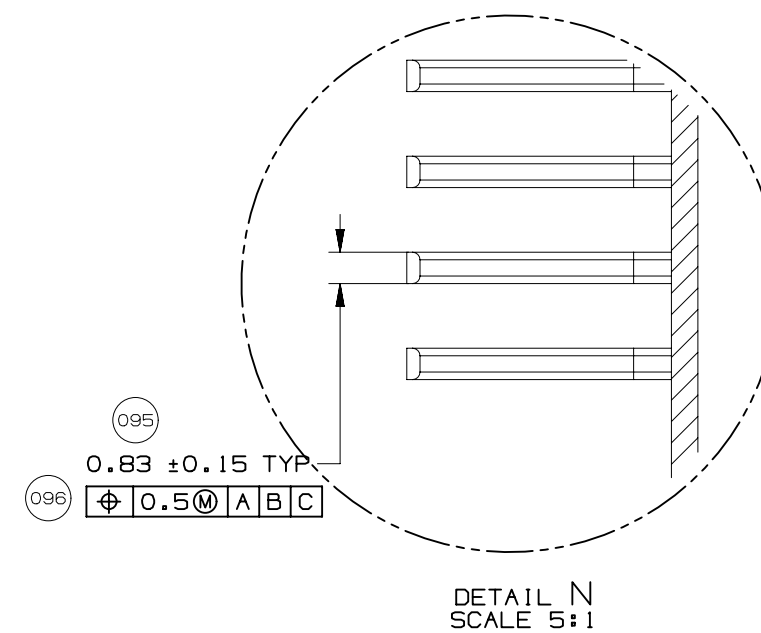
DWG STATUS			PAGE NUMBER
ST	REV	PD1	
R	001		17 OF 22



SECTION K-K

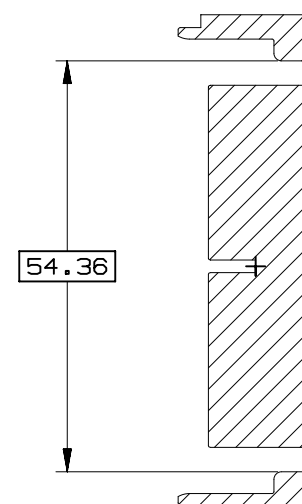
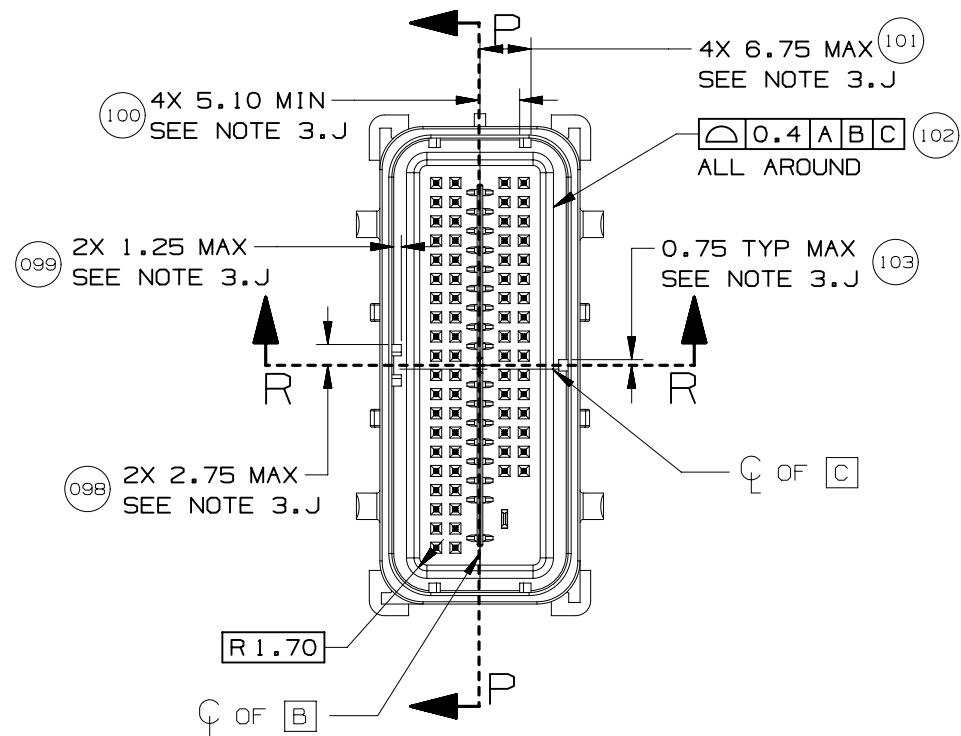


SECTION AD-AD

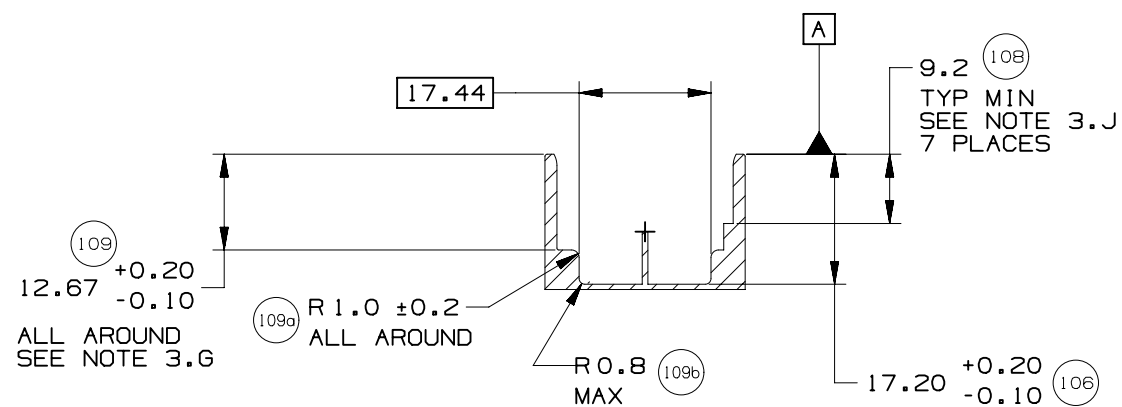


DETAIL N
SCALE 5:1





SECTION P-P



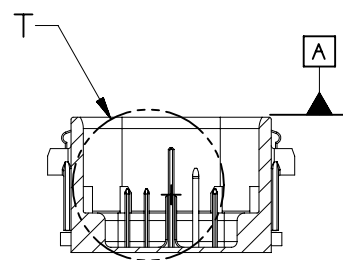
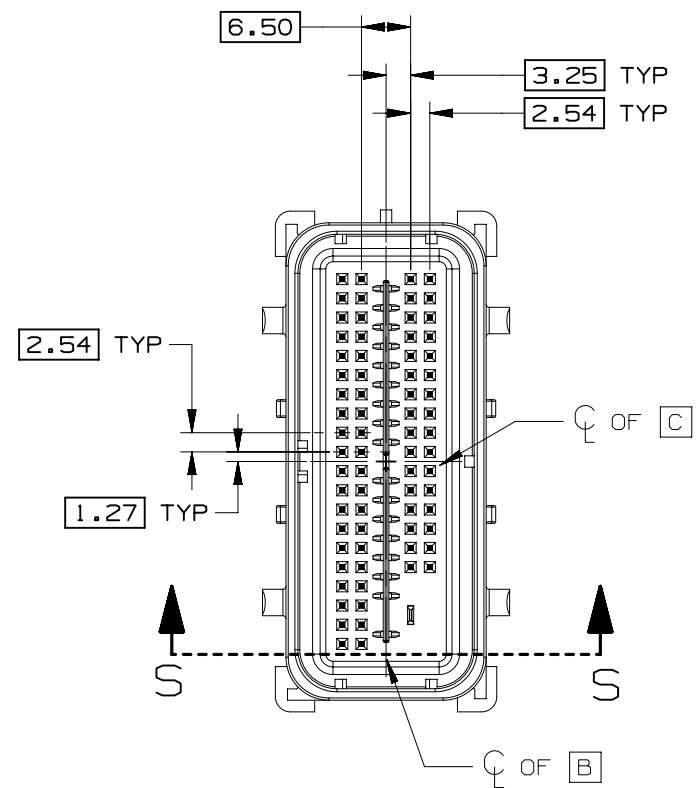
SECTION R-R



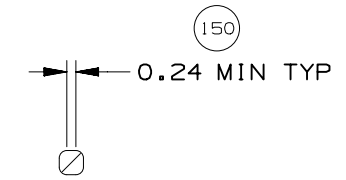
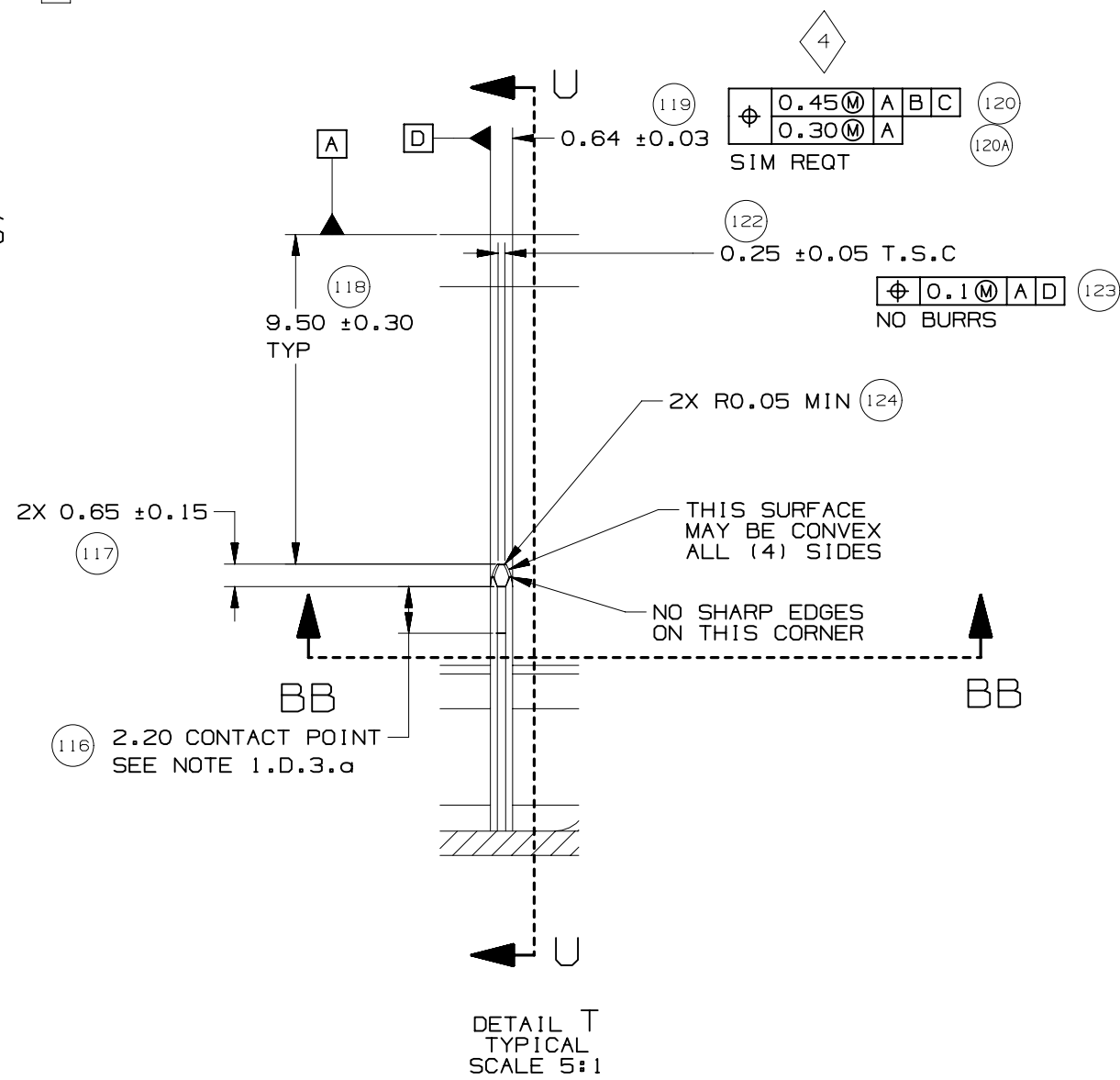
PAGE TITLE
COMPONENT CONNECTOR INTERFACE

DRAWING NUMBER
12672833

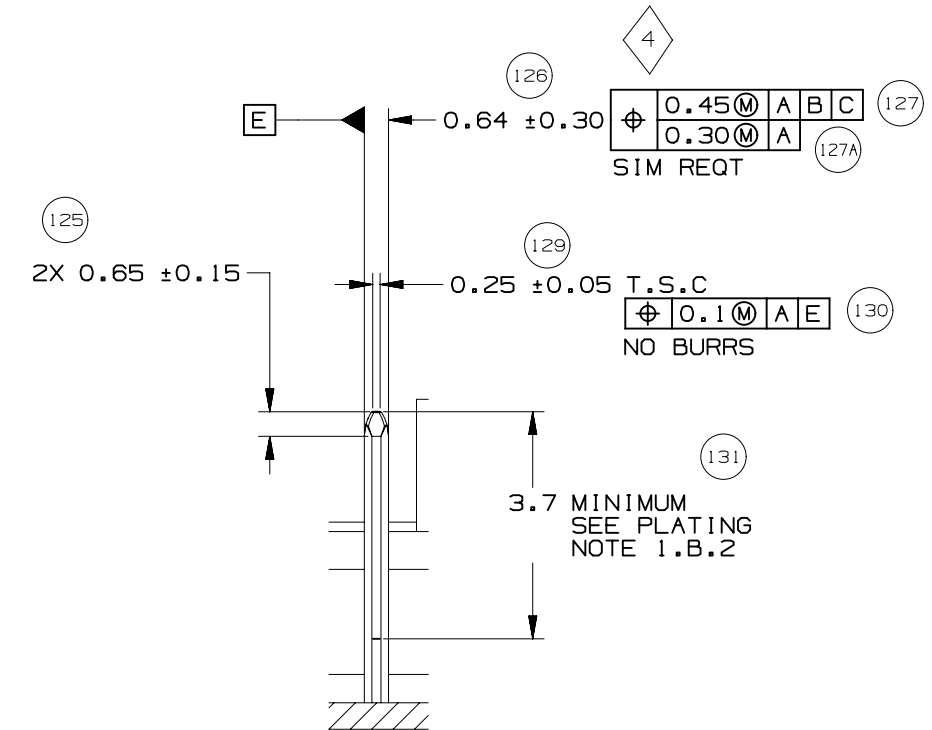
DWG STATUS			PAGE NUMBER	
ST	REV	PD1	19	OF 22
R	001			



SECTION S-S

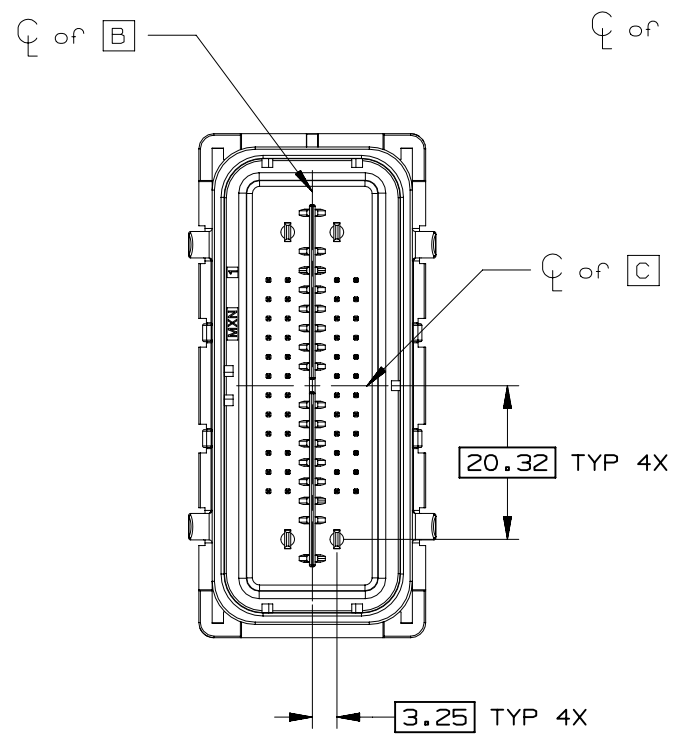


SECTION BB-BB

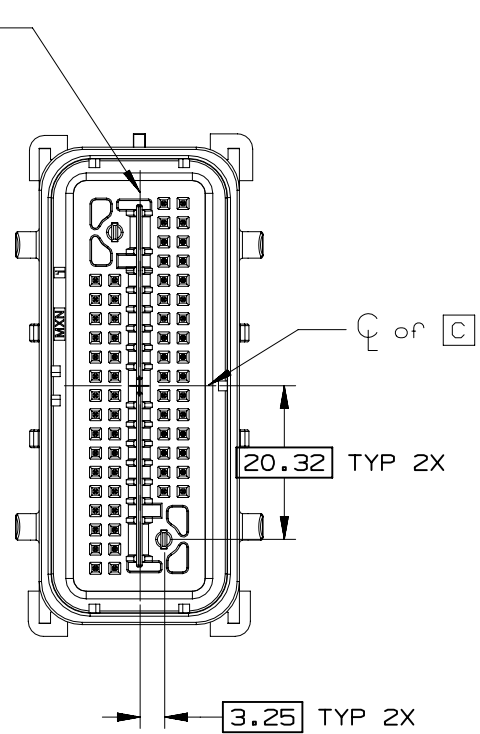


SECTION U-U
TYPICAL

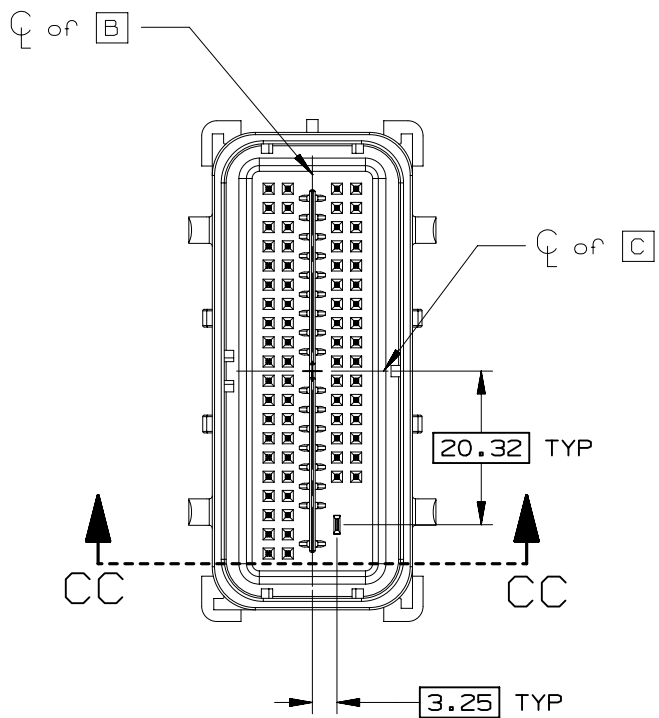




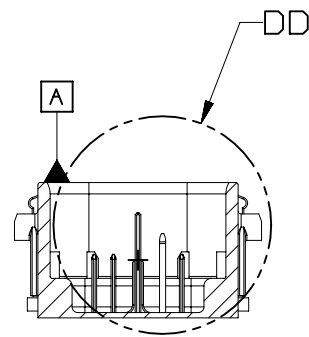
52 CKT COMPONENT
CONNECTOR INTERFACE



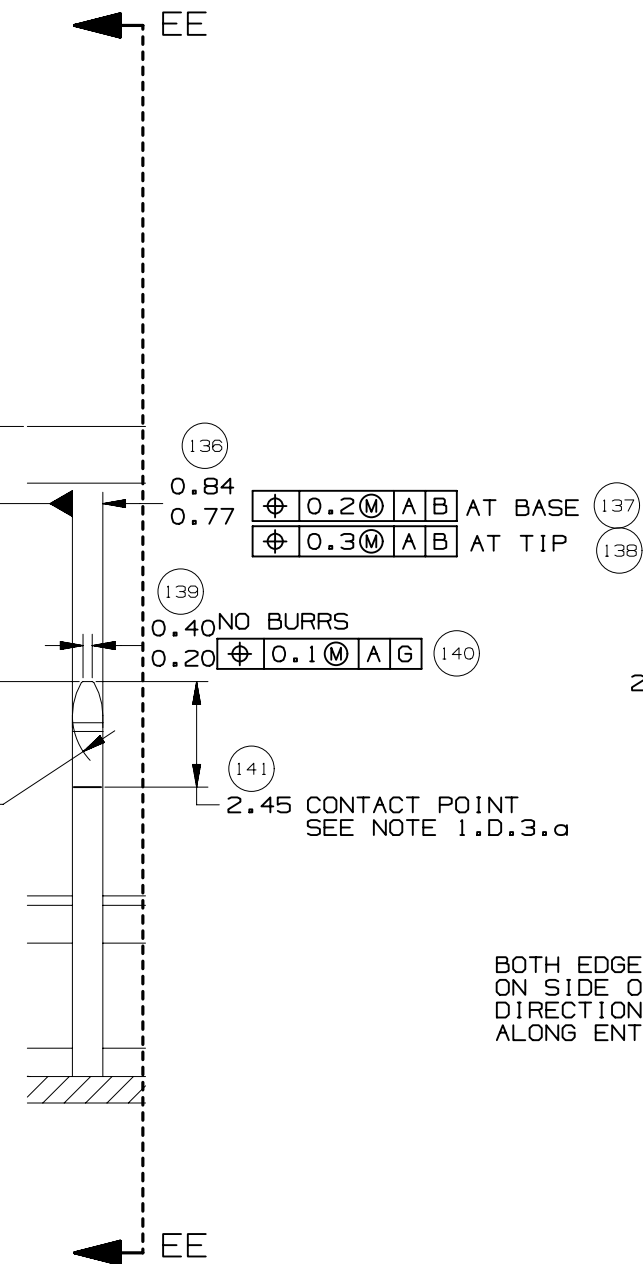
66 CKT COMPONENT
CONNECTOR INTERFACE



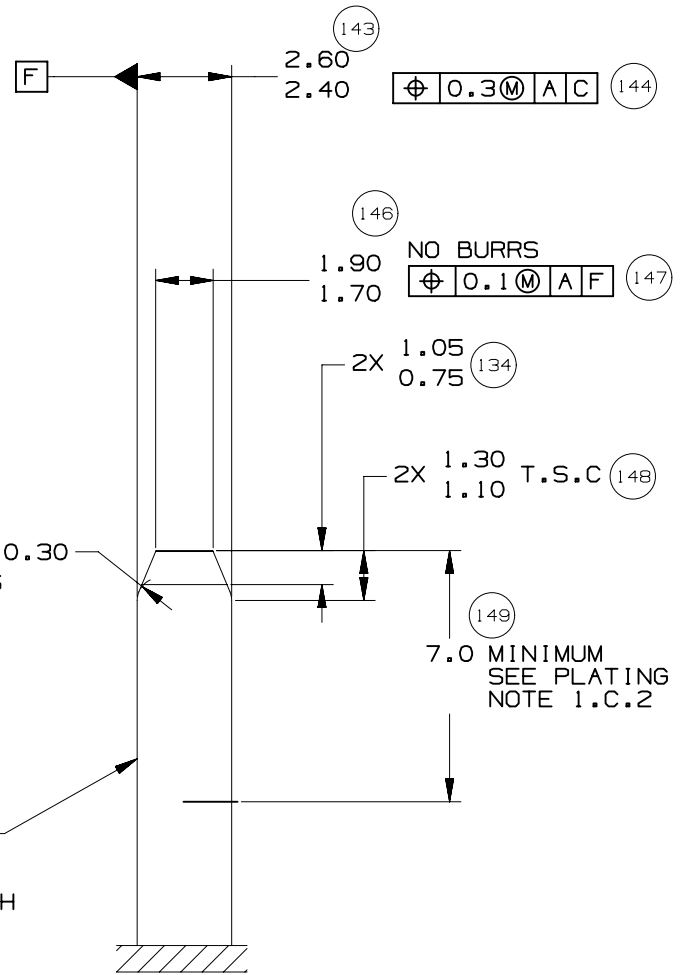
73 CKT COMPONENT
CONNECTOR INTERFACE



SECTION CC-CC



DETAIL DD
TYPICAL
SCALE 5:1

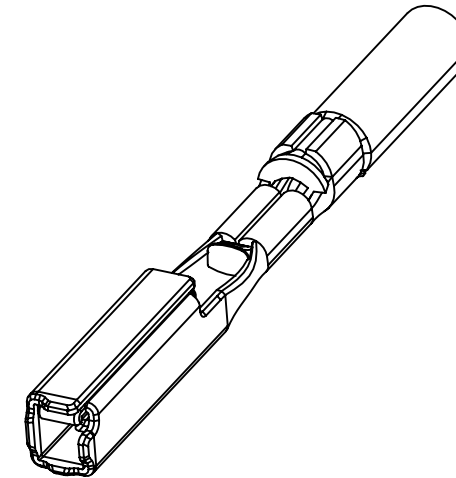
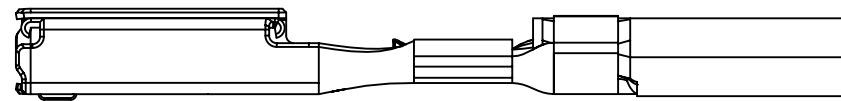
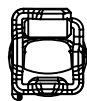


SECTION EE-EE
TYPICAL



MOLEX MX64 RECEPTACLE TERMINAL INFORMATION

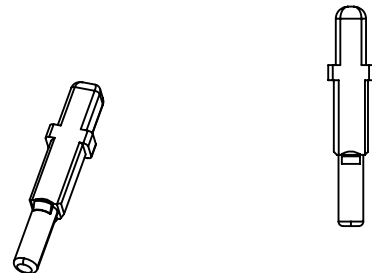
ITEM	MOLEX P/N	GM P/N	WIRE SIZE MM2	TYPE	PLATING	REEL WIND DIRECTION	COMMENTS
1	34736-0025		0.35	ISO	SILVER	LEFT	
2	34736-0026	12672850	0.35	ISO	SILVER	RIGHT	
3	34736-0027		0.5 / 0.75	ISO	SILVER	LEFT	
4	34736-0028	12672851	0.5 / 0.75	ISO	SILVER	RIGHT	



CAVITY PLUGS

ITEM	MFG	MFG P/N	GM P/N RD	SIZE	COLOR	MFG DRAWING	PROD SPEC	APP SPEC	COMMENTS
1	MOLEX	34586-0001	12674820	0.64	NATURAL	SD-34586-001	PS-34566-0000	AS-34566-001	
2	YAZAKI	7158-3114-90	12674821	2.8	BLUE	7158-3114-90	YPES-11-04-062	YPES-15-299	

ITEM 1



ITEM 2



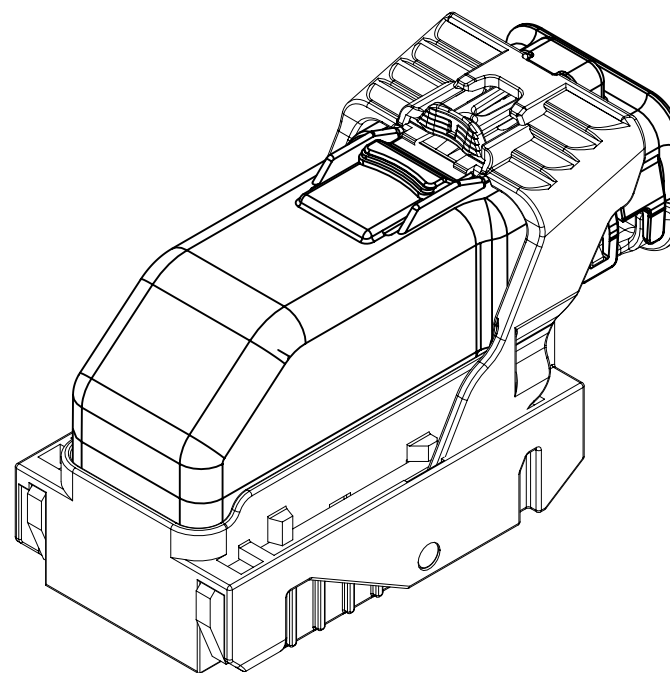
PAGE TITLE
ADDITIONAL COMPONENTS REQUIRED

DRAWING NUMBER
12672833


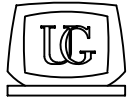
DWG STATUS		
ST	REV	PD1
R	001	

PAGE NUMBER
22 OF 22

INDEX	
PAGE TITLE	PAGE
TITLE BLOCK	1
REVISION BLOCK	2
PART BLOCK	3
KPC BLOCK	4
COMPONENT TABLE	5
NOTES	6
NOTES	7
WIRE DRESS PACKAGING DIMENSIONS	8
LOCATION AND PACKAGING DIMENSIONS REFERENCING INTERFACE DATUMS B & C	9
LOCATION AND PACKAGING DIMENSIONS REFERENCING INTERFACE DATUM A	10
KEY ID REF - WIRE DRESS OPTION 0	11
KEY ID REF - WIRE DRESS OPTION 9	12
CIRCUIT CONFIGURATIONS	13
CIRCUIT CONFIGURATIONS	14
COMPONENT CONNECTOR INTERFACE	15
COMPONENT CONNECTOR INTERFACE	16
COMPONENT CONNECTOR INTERFACE	17
COMPONENT CONNECTOR INTERFACE	18
COMPONENT CONNECTOR INTERFACE	19
COMPONENT CONNECTOR INTERFACE	20
COMPONENT CONNECTOR INTERFACE	21
ADDITIONAL COMPONENTS REQUIRED	22




ISO VIEW

	<p>UNLESS OTHERWISE SPECIFIED: THIS DOCUMENT IS IN ACCORDANCE WITH ASME Y14.5M-1994 AS AMMENDED BY THE GM GLOBAL DIMENSIONING AND TOLERANCING ADDENDUM-1997. ALL GEOMETRIC TOLERANCES AND RELATED DATUMS APPLY RFS. RULE #1 (PERFECT FORM AT MMC) DOES NOT APPLY WHEN A RELATIONSHIP BETWEEN FEATURES IS ESTABLISHED BY ORIENTATION OR LOCATION TOLERANCES. SEPARATE POSITION CALLOUTS MAY BE GAGED SEPARATELY REGARDLESS OF DATUM REFERENCES.</p>			DATE
	 CHANGE RESTRICTED NO MANUAL CHANGES	REFERENCE 12H (MOLEX AUTOMOTIVE)	DRAFTER APVD1	05JN15
DO NOT SCALE		APVD2		
METRIC DIMENSIONS SHOWN IN MILLIMETERS UNLESS OTHERWISE SPECIFIED	DRAWING NAME	APVD3		
	HARNESS CONN ASM-SEALED 52/66/73/80 CKTS, MX123	APVD4		
		APVD5		
	DRAWING NUMBER	DWG STATUS		
	12672833	ST	REV	
		R	001	
		PAGE NUMBER		
		1	OF 22	

PAGE	DWG STATUS					REVISION HISTORY	AUTH	DR	CK	ENG
	DATE	ST	REV	CHG	PDI					
	05JN15	R	001			RELEASED TO PRODUCTION AT DLS A	CRMRJE	DFK		

PAGE	DWG STATUS					REVISION HISTORY	AUTH	DR	CK	ENG
	DATE	ST	REV	CHG	PDI					

	PAGE TITLE	DRAWING NUMBER	DWG STATUS			PAGE NUMBER	
	REVISION BLOCK		12672833	ST	REV	PDI	2 OF 22
				R	001		

KEY PRODUCT CHARACTERISTICS
(IN ACCORDANCE WITH QN 1805 OR ON 1050)



SAFETY/COMPLIANCE

TOTAL ON
DRAWING

4



FIT/FUNCTION

LAST NO.
USED

4

NO	TYPE	DESCRIPTION	RATIONALE	PAGE/ZONE
1	F/F	32.68	IMPROVE CONNECTOR SYSTEM MATING	16
2	F/F	29.00	INSURE PROPER RELEASE OF LEVER	16
3	F/F	15.25	INSURE FINAL MATE POSITION	17
4	F/F	POSITIONAL TOLERANCE (2 PLACES)	INSURE CONNECTOR SYSTEM MATEABILITY	20



PAGE TITLE
KPC BLOCK

DRAWING NUMBER

12672833

DWG STATUS

ST	REV	PDI
----	-----	-----

R	001	
---	-----	--

PAGE NUMBER

4 OF 22

LINE	MFG.	MFG. P/N	GM P/N	EFFECTIVE DATE	APPLICABLE COMPONENTS	KEY OPTION	WIRE DRESS OPTION	KEY CONFIG.	COLOR	STATUS
					DESCRIPTION					
-										
1	MOLEX	34565-0003	12582676	02JN03	MX123 DRESS COVER 52/66/73/80 CKT	N/A	N/A	N/A	BLACK	AVAILABLE
2	MOLEX	160094-0001	12672852	01SP13	MX123 HRNS CONN ASSY 52 CKT	A	0	1458	BLACK	AVAILABLE
3	MOLEX	160094-0003	12672854	01SP13	MX123 HRNS CONN ASSY 52 CKT	C	0	2467	BLUE	AVAILABLE
4	MOLEX	160094-0013	12672853	01SP13	MX123 HRNS CONN ASSY 52 CKT	A	9	1458	BLACK	AVAILABLE
5	MOLEX	160094-0015	12672855	01SP13	MX123 HRNS CONN ASSY 52 CKT	C	9	2467	BLUE	AVAILABLE
6	MOLEX	34822-0013	12672856	01SP13	MX123 HRNS CONN ASSY 66 CKT	A	0	1458	BLACK	AVAILABLE
7	MOLEX	34822-0033	12672858	01SP13	MX123 HRNS CONN ASSY 66 CKT	C	0	2467	BLUE	AVAILABLE
8	MOLEX	34822-0023	12672857	01SP13	MX123 HRNS CONN ASSY 66 CKT	A	9	1458	BLACK	AVAILABLE
9	MOLEX	34822-0043	12672859	01SP13	MX123 HRNS CONN ASSY 66 CKT	C	9	2467	BLUE	AVAILABLE
10	MOLEX	34566-0103	12672860	11JN04	MX123 HRNS CONN ASSY 73 CKT	A	0	1458	BLACK	AVAILABLE
11	MOLEX	34566-0203	12672862	11JN04	MX123 HRNS CONN ASSY 73 CKT	B	0	1468	ST GRAY	AVAILABLE
12	MOLEX	34566-0303	12672864	09AP08	MX123 HRNS CONN ASSY 73 CKT	C	0	2467	BLUE	AVAILABLE
13	MOLEX	34566-0603	12672866	05DC14	MX123 HRNS CONN ASSY 73 CKT	F	0	1357	NATURAL	AVAILABLE
14	MOLEX	34566-1303	12672861	11JN04	MX123 HRNS CONN ASSY 73 CKT	A	9	1458	BLACK	AVAILABLE
15	MOLEX	34566-1403	12672863	11JN04	MX123 HRNS CONN ASSY 73 CKT	B	9	1468	ST GRAY	AVAILABLE
16	MOLEX	34566-1503	12672865	09AP08	MX123 HRNS CONN ASSY 73 CKT	C	9	2467	BLUE	AVAILABLE
17	MOLEX	34566-1803	12672867	05DC14	MX123 HRNS CONN ASSY 73 CKT	F	9	1357	NATURAL	AVAILABLE
18	MOLEX	34566-0703	12672872	09AP08	MX123 HRNS CONN ASSY 80 CKT	G	0	1358	BLUE	AVAILABLE
19	MOLEX	34566-0803	12672870	11JN04	MX123 HRNS CONN ASSY 80 CKT	H	0	2458	ST GRAY	AVAILABLE
20	MOLEX	34566-0903	12672868	T.B.D	MX123 HRNS CONN ASSY 80 CKT	J	0	2457	BLACK	NOT ACTIVE
21	MOLEX	34566-1903	12672873	09AP08	MX123 HRNS CONN ASSY 80 CKT	G	9	1358	BLUE	AVAILABLE
22	MOLEX	34566-2003	12672871	11JN04	MX123 HRNS CONN ASSY 80 CKT	H	9	2458	ST GRAY	AVAILABLE
23	MOLEX	34566-2103	12672869	T.B.D	MX123 HRNS CONN ASSY 80 CKT	J	9	2457	BLACK	NOT ACTIVE
24	MOLEX	34736-0028	12672851	01AU10	MX64 RCPT TERM Ag 0.5mm/0.75mm ISO GAGE B (RIGHT PAYOFF)	N/A	N/A	N/A	N/A	AVAILABLE
25	MOLEX	34736-0026	12672850	01AU10	MX64 RCPT TERM Ag 0.35mm ISO GAGE B (RIGHT PAYOFF)	N/A	N/A	N/A	N/A	AVAILABLE
26	MOLEX	34586-0001	12674820	11JN04	MX123 0.64mm GROMMET PLUG	N/A	N/A	N/A	NATURAL	AVAILABLE
27	YAZAKI	7116-4150-02	12588066	02JN03	2.8mm YESC SEALED FEMALE TERMINAL TIN 0.35mm2-0.50mm2	N/A	N/A	N/A	N/A	NOT ACTIVE
28	YAZAKI	7116-4151-02	12588067	02JN03	2.8mm YESC SEALED FEMALE TERMINAL TIN 0.75mm2-1.0mm2	N/A	N/A	N/A	N/A	NOT ACTIVE
29	YAZAKI	7116-4152-02	12582685	02JN03	2.8mm YESC SEALED FEMALE TERMINAL TIN 1.5mm2-2.5mm2	N/A	N/A	N/A	N/A	AVAILABLE
30	YAZAKI	7158-3111-60	12588068	02JN03	2.8mm CABLE SEAL (wire O.D. range 1.2mm-1.9mm)	N/A	N/A	N/A	GREEN	NOT ACTIVE
31	YAZAKI	7158-3112-70	12588069	02JN03	2.8mm CABLE SEAL (wire O.D. range 1.8mm-2.3mm)	N/A	N/A	N/A	YELLOW	NOT ACTIVE
32	YAZAKI	7158-3113-40	12582686	02JN03	2.8mm CABLE SEAL (wire O.D. range 2.1mm-3.0mm)	N/A	N/A	N/A	WHITE	AVAILABLE
33	YAZAKI	7158-3114-90	12674821	02JN03	2.8mm YESC CAVITY PLUG	N/A	N/A	N/A	BLUE	AVAILABLE
34	MOLEX	63825-8400	N/A	02JN03	MX64 TERM HAND CRIMP TOOL	N/A	N/A	N/A	N/A	AVAILABLE
35	MOLEX	63813-1400	XX019826	02JN03	MX64 TERM SERVICE TOOL	N/A	N/A	N/A	N/A	AVAILABLE
36	MOLEX	63902-5300	N/A	02JN03	MX64 CRIMP APPLICATOR with TOOL KIT 0.5/0.75mm2 PAYOFF DIRECTION D (left payoff) (contact Molex for payoff detail)	N/A	N/A	N/A	N/A	AVAILABLE
37	MOLEX	63902-5370	N/A	02JN03	MX64 APPLICATOR TOOL KIT 0.5/0.75mm2	N/A	N/A	N/A	N/A	AVAILABLE
38	MOLEX	63902-5100	N/A	02JN03	MX64 CRIMP APPLICATOR with TOOL KIT 0.35mm2 PAYOFF DIRECTION D (left payoff) (contact Molex for payoff detail)	N/A	N/A	N/A	N/A	AVAILABLE
39	MOLEX	63902-5170	N/A	02JN03	MX64 APPLICATOR TOOL KIT 0.35mm2	N/A	N/A	N/A	N/A	AVAILABLE
40	SPX	J35616-64	T.B.D.	02JN03	0.64mm PROBE TOOL (for rcpt)	N/A	N/A	N/A	N/A	AVAILABLE
41	SPX	J35616-64A	T.B.D.	02JN03	0.64mm PROBE TOOL WITH EXT (for rcpt)	N/A	N/A	N/A	N/A	AVAILABLE
42	SPX	J35616-65	T.B.D.	02JN03	0.64mm PROBE TOOL WITH EXT (for pin)	N/A	N/A	N/A	N/A	AVAILABLE
43	SPX	J35616-4A	T.B.D.	02JN03	2.8mm PROBE TOOL (for rcpt)	N/A	N/A	N/A	N/A	AVAILABLE
44	YAZAKI	X39899-J374	12094430	02JN03	2.8mm TERM SERVICE TOOL	N/A	N/A	N/A	N/A	AVAILABLE
45	TQI	7000-1006	N/A	15JN15	52 CKT PASS THROUGH ADAPTERS	N/A	N/A	N/A	BLACK	AVAILABLE
46	TQI	7000-1002	N/A	15JN15	66 CKT PASS THROUGH ADAPTERS	N/A	N/A	N/A	BLACK	AVAILABLE
47	TQI	79917-0061	N/A	15JN15	73 CKT PASS THROUGH ADAPTERS	N/A	N/A	N/A	BLACK	AVAILABLE
48	TQI	79917-0066	N/A	15JN15	80 CKT PASS THROUGH ADAPTERS	N/A	N/A	N/A	BLACK	AVAILABLE

* - MX123 DRESS COVER 52/66/73/80 CKT MATES TO ANY MX123 HARN CONN ASSY SHOWN ON TABLE ABOVE



PAGE TITLE
COMPONENT TABLE

DRAWING NUMBER

12672833

DWG STATUS

ST REV PDI

R 001

PAGE NUMBER

5 OF 22

NOTES: UNLESS OTHERWISE SPECIFIED

1. MATERIAL FOR INTERFACE:


- A. RESIN:
 - 1. 30% G.F. PBT; 20% MAX. (BY WEIGHT) REGRIND.
 - 2. MATING CONNECTOR INTERFACE PART COLOR MUST BE SAME AS MATCHING KEYED HARNESS CONNECTOR ASSEMBLY.
 - 3. MUST BE VALIDATED FOR INDIVIDUAL DEVICE APPLICATION REQUIREMENTS.
- B. 0.64MM PINS:
 - 1. BASE MATERIAL: COPPER ALLOY; CONDUCTIVITY >= 28% IACS AT 20°C; TENSILE STRENGTH >= 635 N/mm²; SURFACE ROUGHNESS R_a 6 MAX.
 - 2. PLATING FINISH: SILVER (Ag). PLATING TO BE 1.9-3.3 μm ELECTRODEPOSITED SEMI-BRIGHT SILVER OVER 1.25-2.25 μm DUCTILE SULPHAMATE NICKEL PER NOTE 1(D).
 - 3. ANTI-TARNISH: SYNTHETIC HYDROCARBON CONTACT SURFACE FINISH OR EQUIVALENT APPLIED WITHOUT VOID TO CONTACT AREA (MIN 3.7mm FROM PIN TIP).
- C. 2.8MM BLADE:
 - 1. BASE MATERIAL: COPPER ALLOY; CONDUCTIVITY >= 28% IACS AT 20°C; TENSILE STRENGTH >= 350 N/mm²; SURFACE ROUGHNESS R_a 6 MAX.
 - 2. PLATING FINISH: TIN. PLATING TO BE 2.5-5.0 μm ELECTRODEPOSITED TIN, MATTE FINISH OVER 1.25-2.5 μm DUCTILE SULPHAMATE NICKEL PER NOTE 1(D).
- D. PLATING REQUIREMENTS:
 - 1. SILVER PLATING
 - a. 99.5% PURE SEMI-BRIGHT WITH NO ORGANIC BRIGHTNERS OR CHROMATES.
 - 2. NICKEL PLATING
 - a. ELECTRODEPOSITED DUCTILE SULFAMATE NICKEL WITH A NON-BRIGHTENED FINISH. NO ORGANIC OR BRIGHTENING AGENTS SHALL BE ALLOWED.
 - b. SHALL ONLY BE USED AS AN UNDERLYING PLATING AND MAY NOT BE USED AS AN ELECTRICAL CONTACT SURFACE PLATING.
 - c. SHALL BE NODULE FREE WHEN VIEWED AT 10X MAGNIFICATION IN MEASURED IN CONTACT SURFACE AREA PLUS 0.5MM PERIMETER AROUND THE CONTACT SURFACE AREA.
 - d. ALL PLATINGS SHALL HAVE A 1.0% MAXIMUM BY WEIGHT IMPURITIES. IMPURITIES ARE DEFINED AS ALL ELEMENTS NOT THE PRIMARY PLATING OR HARDENING AGENT IF APPLICABLE, AS DETERMINED BY WET CHEMICAL ANALYSIS OR AUGER METHOD. NO SINGLE IMPURITY SHALL EXCEED 0.1% MAXIMUM BY WEIGHT.
 - 3. TESTING
 - a. THICKNESS TO BE MEASURED IN CONTACT SURFACE AREA PLUS 0.5MM PERIMETER AROUND THE CONTACT SURFACE AREA AS DESIGNATED IN THE DRAWING. THICKNESS SHALL BE DETERMINED BY METHOD OF X-RAY (XRF).
 - b. PLATING ADHESION SHALL BE TESTED BY A BEND TEST FOR ALL METALS. THE TEST SAMPLE SHALL BE BENT 90 DEGREES TO DETERMINE DEPOSIT ADHESION. TESTING SHALL BE COMPLETED IN ACCORDANCE WITH ASTM SPEC B571.

2. DESIGN - GENERAL:

- A. THIS IS A 100% CAD GENERATED PART. THE CAD MATHEMATICAL DATA IS THE MASTER FOR THIS PART. FOR DIMENSIONAL OR ANY INFORMATION NOT SHOWN ON THIS DRAWING, ANALYZE THE CAD MODEL.
- B. TOLERANCES:
 - 1. LINEAR
 - 0.X ± 0.30
 - 0.XX ± 0.10
 - 0.XXX ± 0.10
 - 2. ANGULAR X° ± 3°
 - 3. 
- C. MINIMUM WALL THICKNESS REQUIRED: 1.3mm.
- D. CORNERS SHOWN AS SHARP TO BE R 0.2 MAX.
- E. LETTERING SHALL BE 0.15 MAX RAISED IN 0.20 MAX RECESS PAD. THIS INCLUDES MATERIAL CODE, RECYCLING CODE, CAVITY ID AND DATE CODE.
- F-1. PARTS MUST BE FREE OF DISCOLORATION, SALT RESIDUE AND OTHER IMPERFECTIONS THAT AFFECT FIT OR FUNCTION.
- F-2. SCRATCHES OR DENTS NOT TO EXCEED 0.013mm IN DEPTH.
- G. FOLLOWING PRODUCTION CODES TO BE PERMANENTLY MARKED & HUMAN READABLE TO A LETTER HEIGHT OF 1.5 ± 0.5MM X 0.3 MAX DEEP
 - 1. MATERIAL #: XXXXX-XXXX
 - 2. DATE CODE: JJYY (JULIAN DAY, LAST DIGIT OF YEAR)
 - 3. INSPECTION MACHINE CODE + SERIAL #: X_XXXXX

3. DESIGN - MANUFACTURING:

- A. DRAFT TO BE WITHIN TOLERANCE.
- B. ALLOWABLE FLASH MAX 0.2 HIGH X MAX 0.13 THICK.
- C. ALLOWABLE PARTING LINE MISMATCH 0.2 MAX.
- D. EJECTOR PINS MARK TO BE FLUSH TO 0.25 MAX DEPRESSED.
- E. ALLOWABLE GATE VESTIGE FLUSH TO 0.25 MAX PROTRUSION.
- F. NO EXTERNAL MOLD RELEASE AGENT ALLOWED DURING MANUFACTURING.
- G. STEEL THAT FORMS THE INDICATED SURFACE MUST BE POLISHED WITH A DIAMOND FINISH (SPI A-2) OVER THE FULL PERIPHERY OF THE TOOL. SURFACE MUST HAVE NO MISMATCH.
- H. ANY PROCESS LUBRICANT REMAINING ON THE TERMINAL MUST NOT VARNISH OR DEGRADE IT'S ELECTRICAL PERFORMANCE UP TO A MAXIMUM CLASS AMBIENT TEMPERATURE PER SAE USCAR-2 FOR 1008 HOURS. PROCESS LUBRICANTS SHOULD BE APPROVED BY THE RESPONSIBLE ENGINEER.
- J. OPTIONAL FEATURES PROVIDED FOR AUTOMATION.
- K. PART MUST BE FREE FROM BURRS AND SHARP EDGES, WHICH MIGHT BE DETRIMENTAL TO SATISFACTORY ASSEMBLY, SAFE HANDLING OR FUNCTION OF PART.
- L. PARTS AS DELIVERED TO ASSEMBLY SHALL BE CLEAN AND FREE OF DEBRIS, RESIDUAL ABRASIVE MATERIAL AND CORROSION PRODUCTS ADVERESLY AFFECTING FUNCTION OR APPEARENCE.
- M. RESTRICTED AND REPORTABLE SUBSTANCES FOR PARTS PER GMW3059.

	PAGE TITLE	DRAWING NUMBER	DWG STATUS			PAGE NUMBER	
	NOTES		12672833	ST	REV	PDI	6 OF 22
				R	001		

NOTES: UNLESS OTHERWISE SPECIFIED

4. SYSTEM REQUIREMENTS:

- A. HARNESS CONNECTOR IS COMPATIBLE WITH THE FOLLOWING ISO WIRE SIZE NO'S:
 0.35mm², MEETING GMW15626 - MIN OD OF 1.30MM
 0.50mm², MEETING GMW15626
 0.75mm², MEETING GMW15626 - MAX OD OF 2.06MM

B. CABLE TIE SPECIFICATIONS:

1. CABLE TIE:
 - TENSILE RATING: 220N / (50lbs) MIN
 - TIE LENGTH: 186mm MIN
 - TIE WIDTH: 4.75mm MAX
 - MATERIAL: NYLON
2. INSTALLATION:
 - CABLE TIE TENSION: 190N MIN
3. DRESSED WIRE BUNDLE PACKAGING: SEE FIG. 1

C. WHEN MATED WITH COMPONENT CONNECTOR INTERFACE AND/OR DRESS COVER, HARNESS CONNECTOR SYSTEM CONFORMS TO THE FOLLOWING:

1. SAE/USCAR-2, REV: 3 APRIL, 2001; CLASS 3
2. FIELD CORRELATED LIFE TEST, SAE/USCAR-20, NOV. 2001
3. GMW #3191 AUGUST 22, 2000 (DRAFT); TEMPERATURE CLASS 3, SEALING CLASS 1, VIBRATION CLASS 2
4. RESTRICTED AND REPORTABLE CHEMICALS PER GMW #3059, REV: D AUGUST 2002
5. TPA USER FORCES (FULLY POPULATED WITH TERMINALS)
 - a. REMOVAL FROM LOCK TO PRE-SET: <=120N

D. WIRE SPECIFICATIONS:

1. WIRE SURFACE MUST BE FREE OF SCRATCHES, GROOVES OR DENTS WHERE FUNCTIONAL

5. TERMINAL CURRENT RATINGS:

A. MX64 RCPT TERM

ALL TESTING DONE IN ACCORDANCE WITH USCAR-2 REV5 SECTION 5.3

1. MX64 RCPT TERM Ag 0.50/0.75mm² CRIMPED TO 0.75mm² ISO WIRE AND MATED TO MX123 0.64MM PIN: SEE TABLE BELOW
2. MX64 RCPT TERM Ag 0.35mm² CRIMPED TO 0.35mm² ISO WIRE AND MATED TO MX123 0.64MM PIN: SEE TABLE BELOW

WIRE	CURRENT RATING			
	23°C	85°C	105°C	125°C
0.75mm ²	11.3A	11.3A	9.5A	6.6A
0.50mm ²	10.0A	10.0A	8.3A	5.7A
0.35mm ²	8.5A	8.5A	7.1A	5.0A

B. 2.8MM RCPT TERM

ALL TESTING DONE IN ACCORDANCE WITH MOLEX DVP&R 0279 (TR # 7125)

1. 2.8MM RCPT TERM TIN 2.0mm² CRIMPED TO 2.0mm² ISO WIRE AND MATED TO MX123 2.8MM BLADE: 25.6 AMPS AT 125°C

6. CONTACT MOLEX AUTOMOTIVE FOR AVAILABLE CUSTOM PATTERNS OF CAVITIES OPEN FOR CIRCUITS - SEE GM DRAWING 13507496



PAGE TITLE
NOTES

DRAWING NUMBER

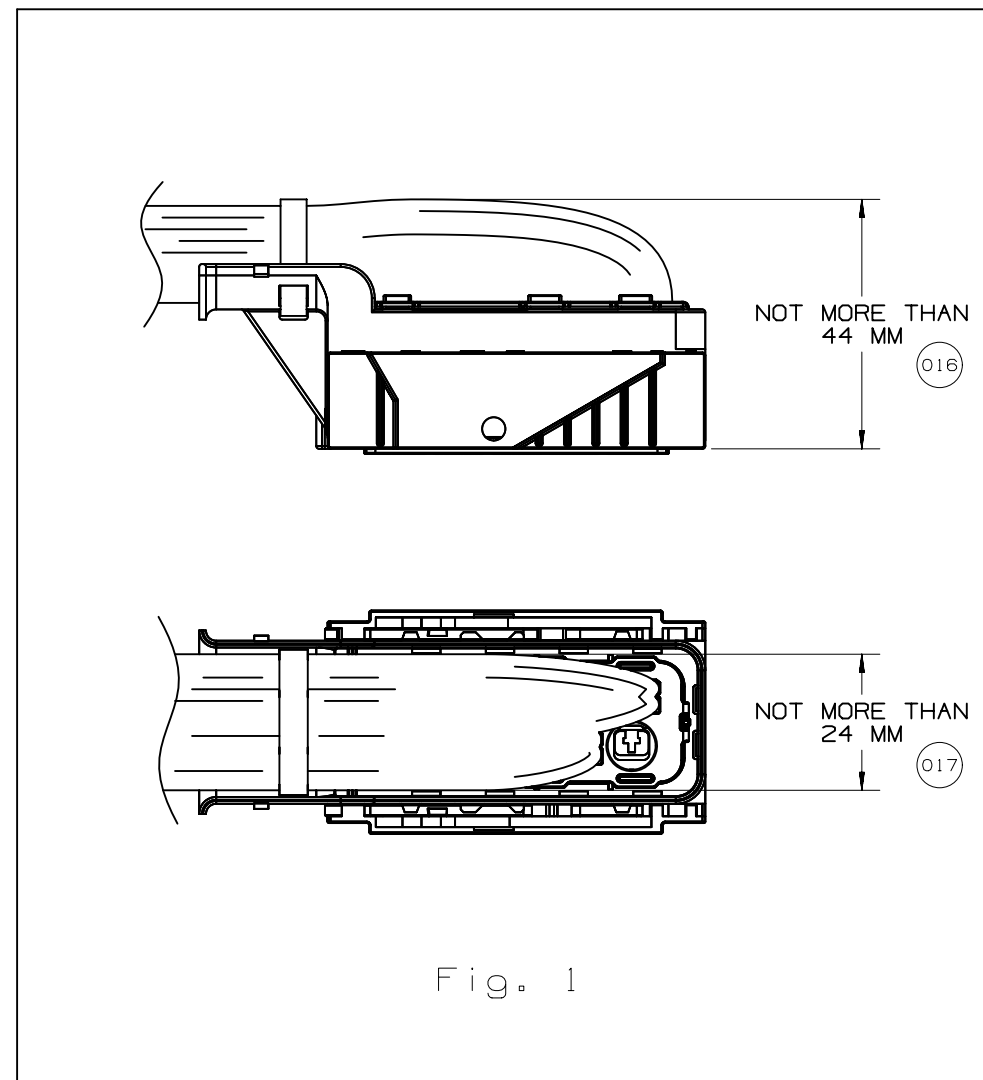
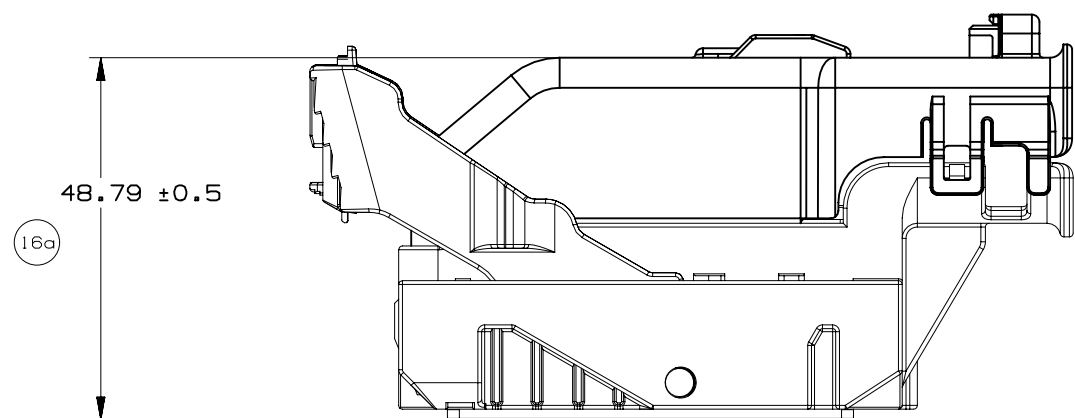
12672833

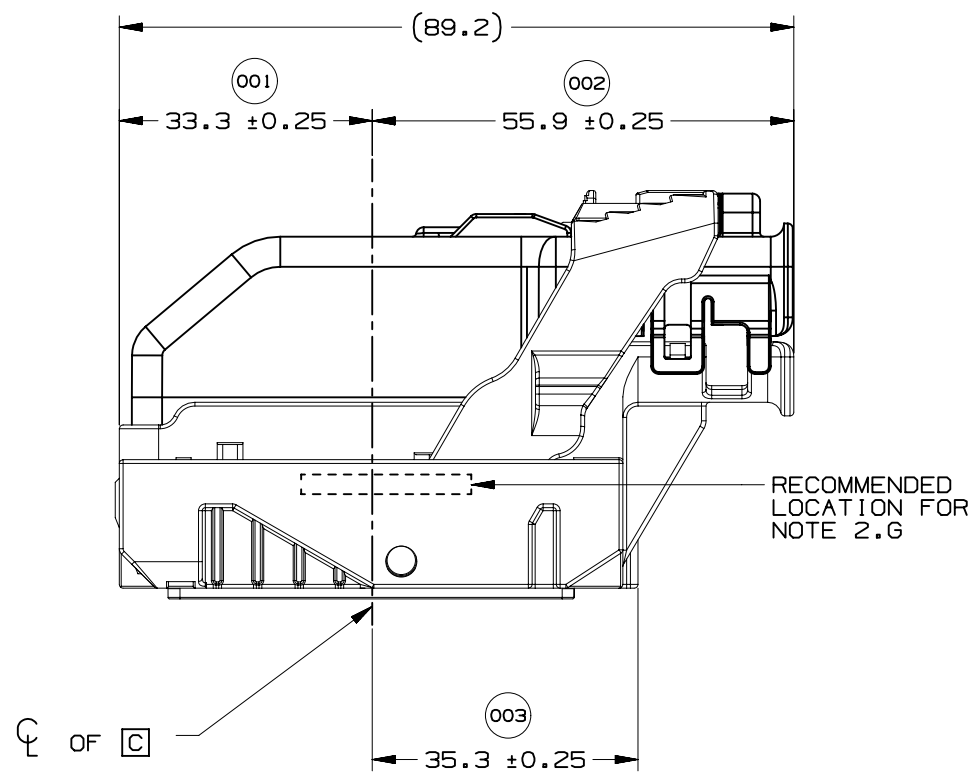
DWG STATUS

ST	REV	PDI
R	001	

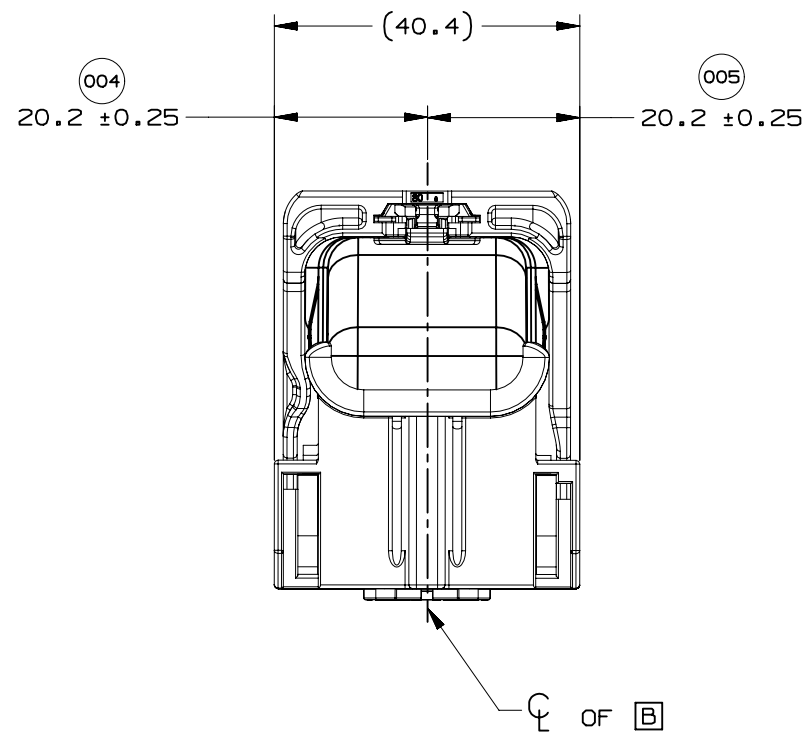
PAGE NUMBER

7 OF 22

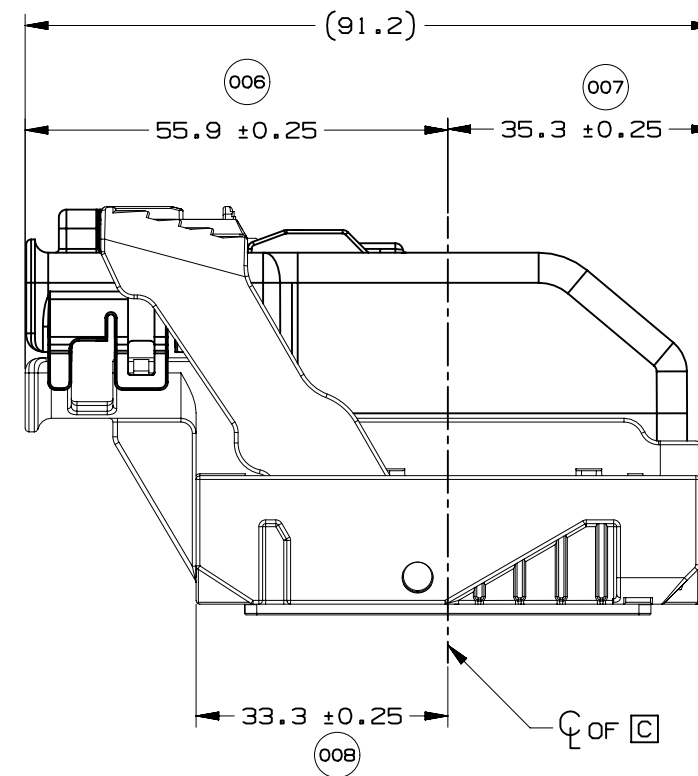




WIRE DRESS OPTION 0 SHOWN



WIRE DRESS OPTION 0 SHOWN



WIRE DRESS OPTION 9 SHOWN

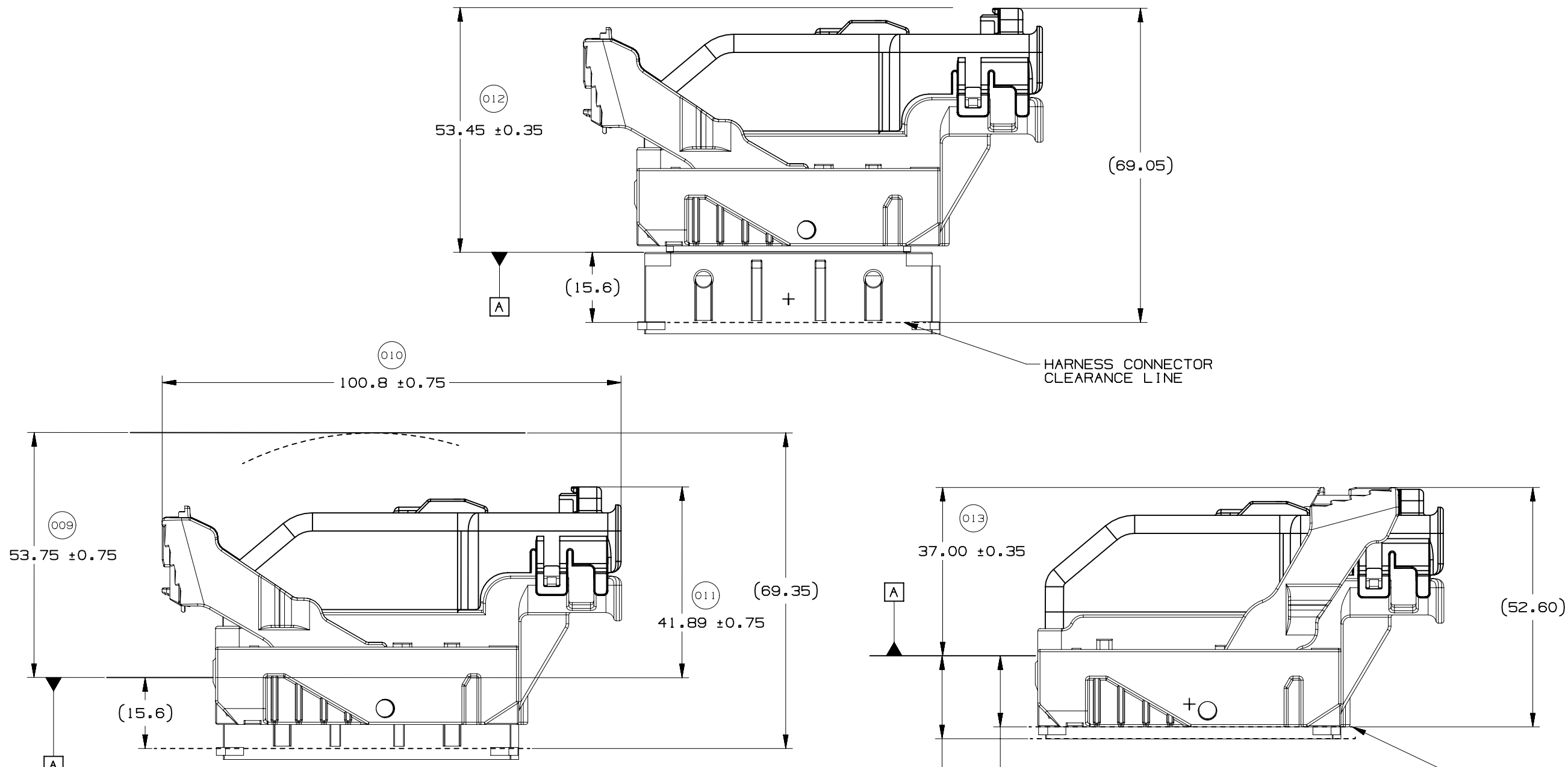


PAGE TITLE
LOCATION AND PACKAGING DIMENSIONS
REFERENCING INTERFACE DATUMS B & C

DRAWING NUMBER
12672833

DWG STATUS		
ST	REV	PD1
R	001	

PAGE NUMBER
9 OF 22



HARNESS CONNECTOR CLEARANCE LINE

HARNESS CONNECTOR ASSEMBLY IN FULLY-MATED POSITION

HARNESS CONNECTOR CLEARANCE LINE

15.6 MIN. ALL AROUND CLEARANCE REQUIRED FOR HARNESS CONNECTOR (014)

17.9 MIN. AT PAD LOCATION CLEARANCE REQUIRED FOR HARNESS CONNECTOR CONSTRUCTION BELOW THIS PLANE IS NOT CONTROLLED (015)

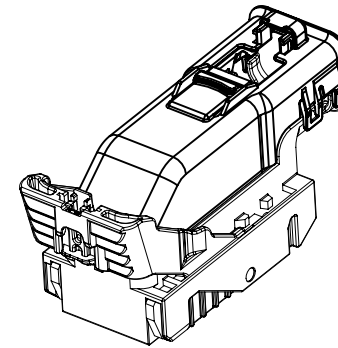
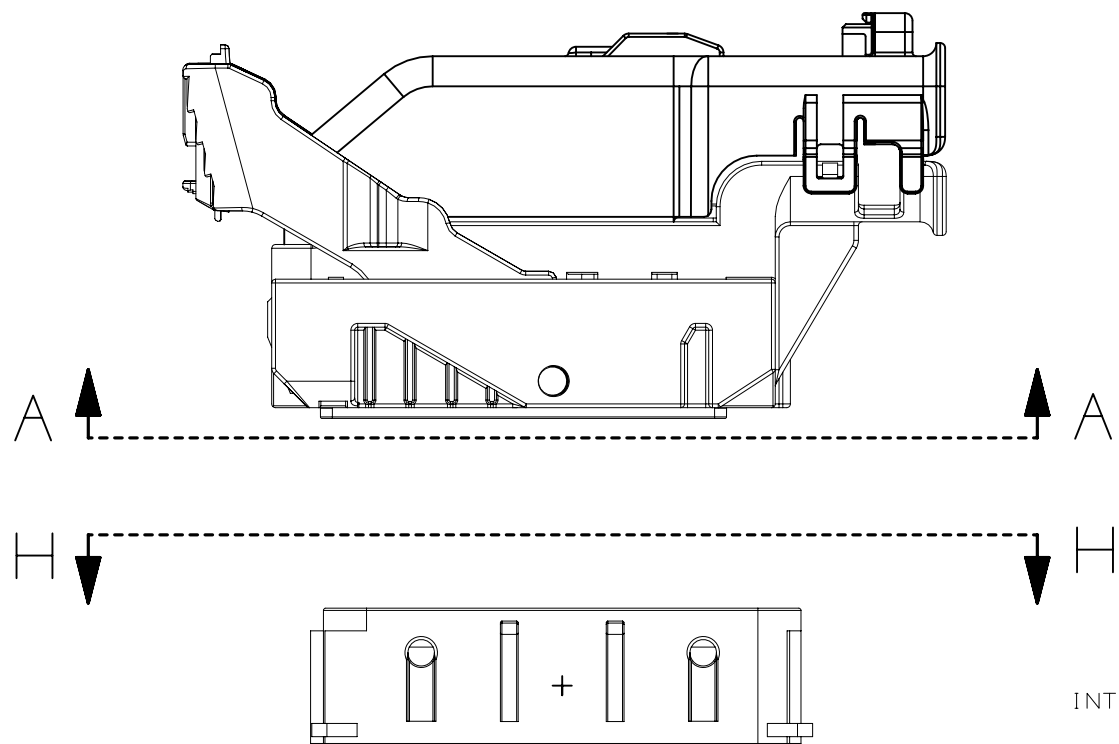


PAGE TITLE
LOCATION AND PACKAGING DIMENSIONS
REFERENCING INTERFACE DATUM A

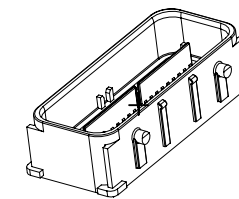
DRAWING NUMBER
12672833

DWG STATUS		
ST	REV	PD1
R	001	

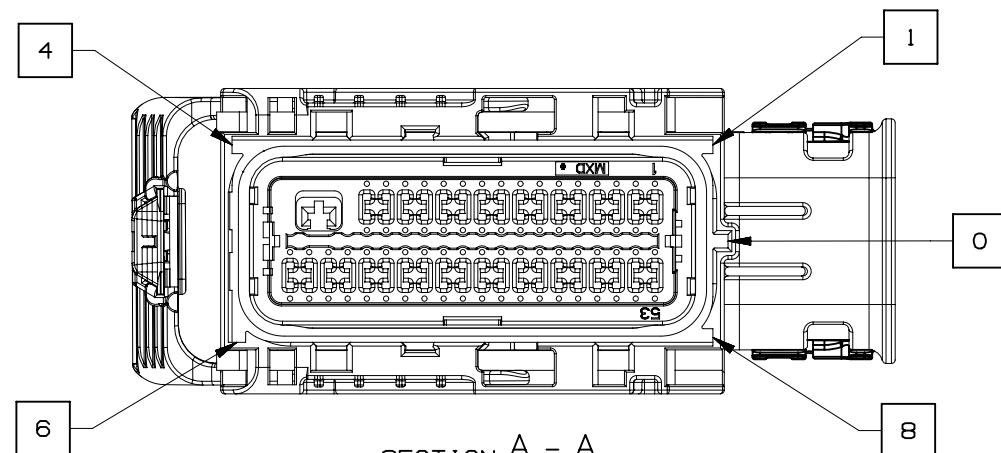
PAGE NUMBER
10 OF 22



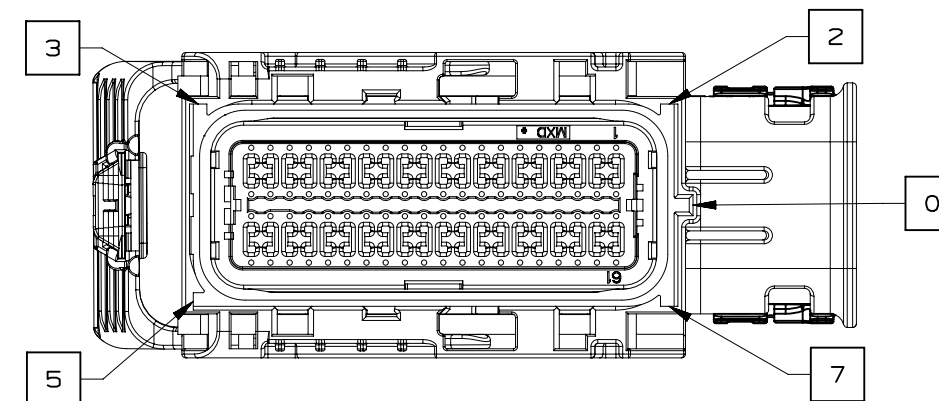
NOTE: REFERENCE THE COMPONENT TABLE FOR KEY OPTIONS AND CONFIGURATIONS



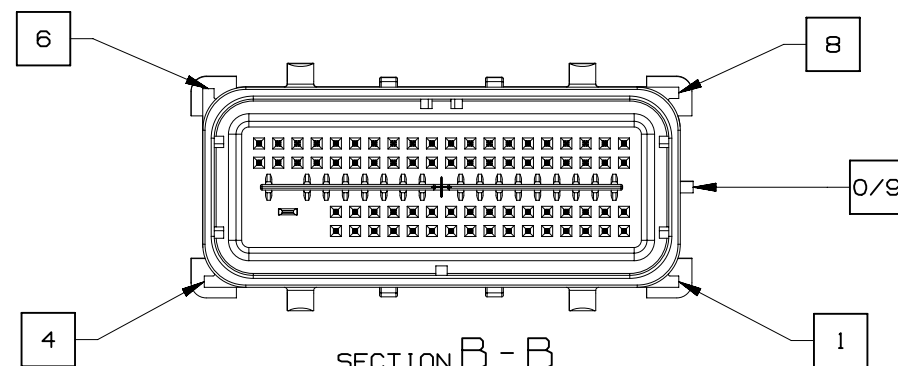
INTERFACE SIDE SHOWN ON ALL SECTION VIEWS



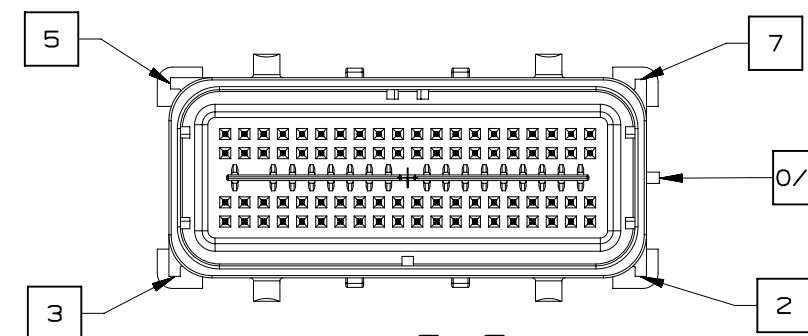
SECTION A - A
73 CKT HARNESS CONNECTOR ASSEMBLY
KEY OPTION B SHOWN



SECTION A - A
80 CKT HARNESS CONNECTOR ASSEMBLY
KEY OPTION K SHOWN



SECTION B - B
73 CKT HARNESS CONNECTOR ASSEMBLY
KEY OPTION B SHOWN



SECTION B - B
80 CKT HARNESS CONNECTOR ASSEMBLY
KEY OPTION K SHOWN

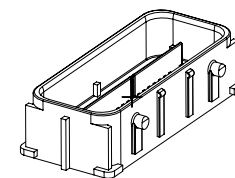
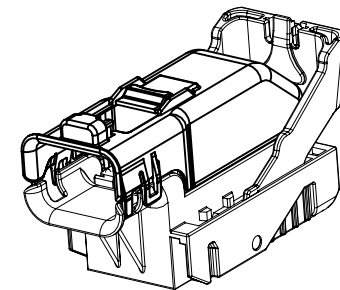
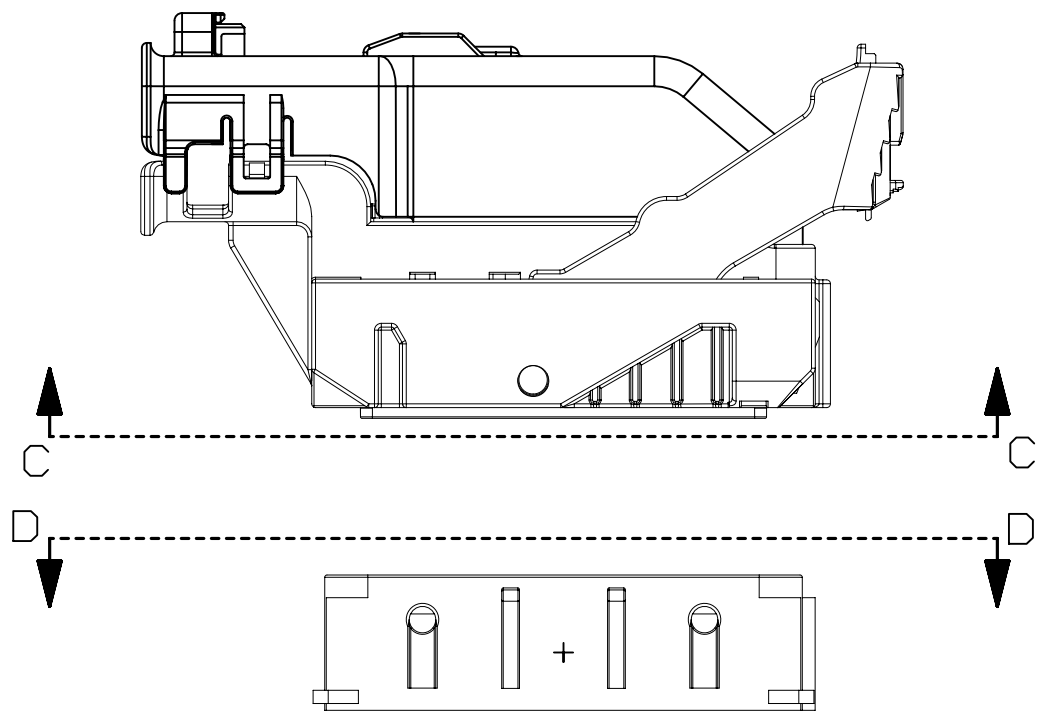


PAGE TITLE
KEY ID REF - WIRE DRESS OPTION 0

DRAWING NUMBER
12672833

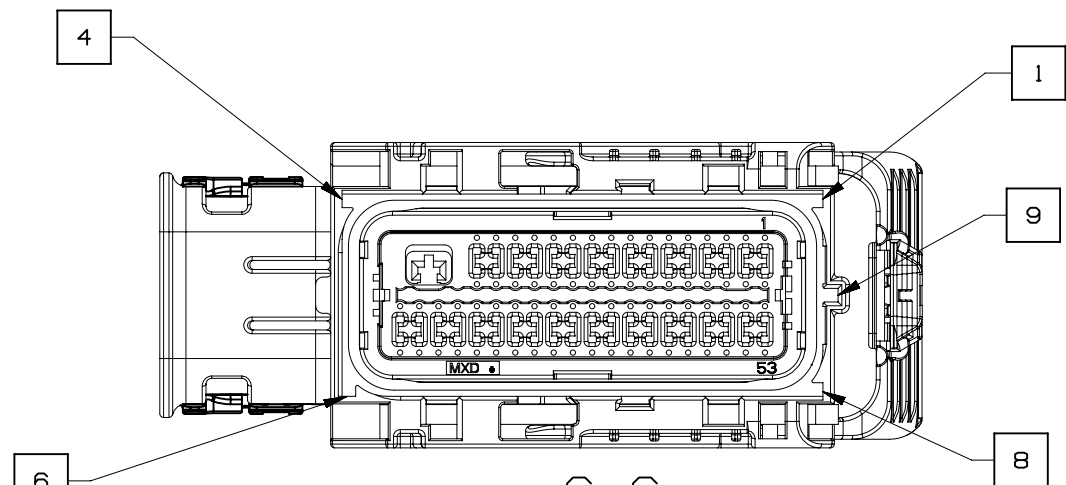
DWG STATUS		
ST	REV	PD1
R	001	

PAGE NUMBER
11 OF 22

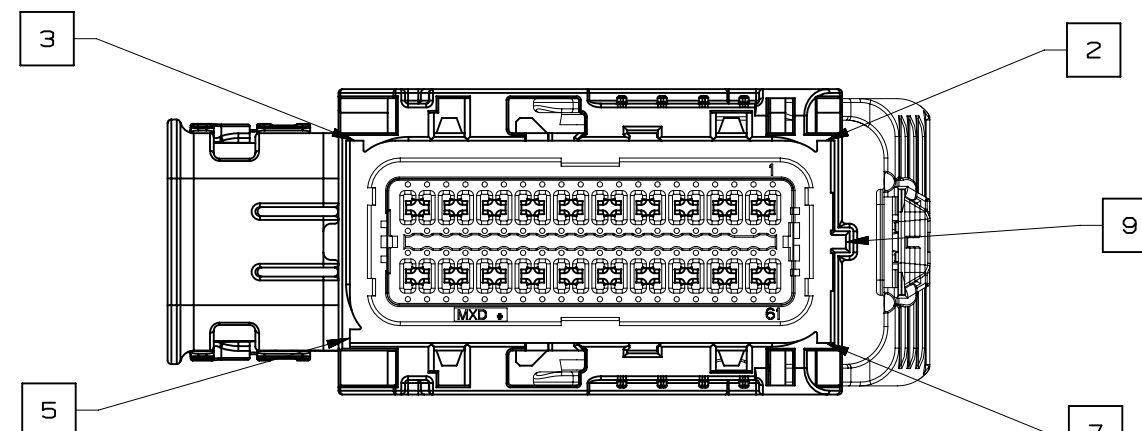


NOTE: REFERENCE THE COMPONENT TABLE FOR KEY OPTIONS AND CONFIGURATIONS

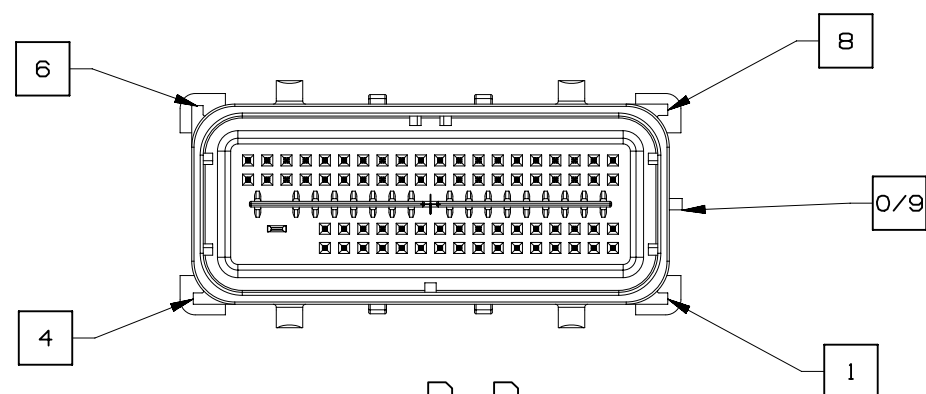
INTERFACE SIDE SHOWN ON ALL SECTION VIEWS



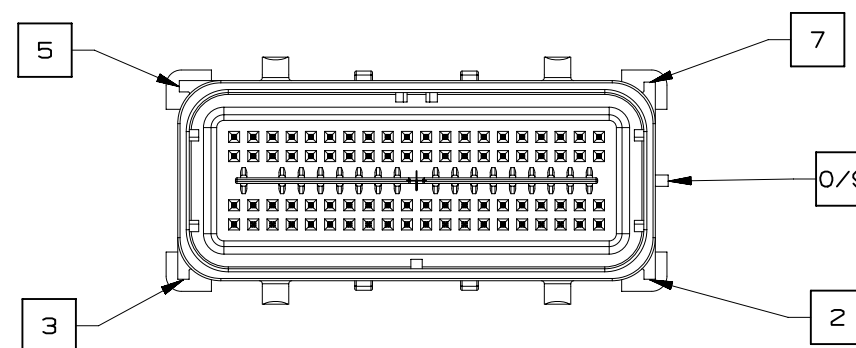
SECTION C - C
73 CKT HARNESS CONNECTOR ASSEMBLY
KEY OPTION B SHOWN



SECTION C - C
80 CKT HARNESS CONNECTOR ASSEMBLY
KEY OPTION K SHOWN



SECTION D - D
73 CKT HARNESS CONNECTOR ASSEMBLY
KEY OPTION B SHOWN



SECTION D - D
80 CKT HARNESS CONNECTOR ASSEMBLY
KEY OPTION K SHOWN

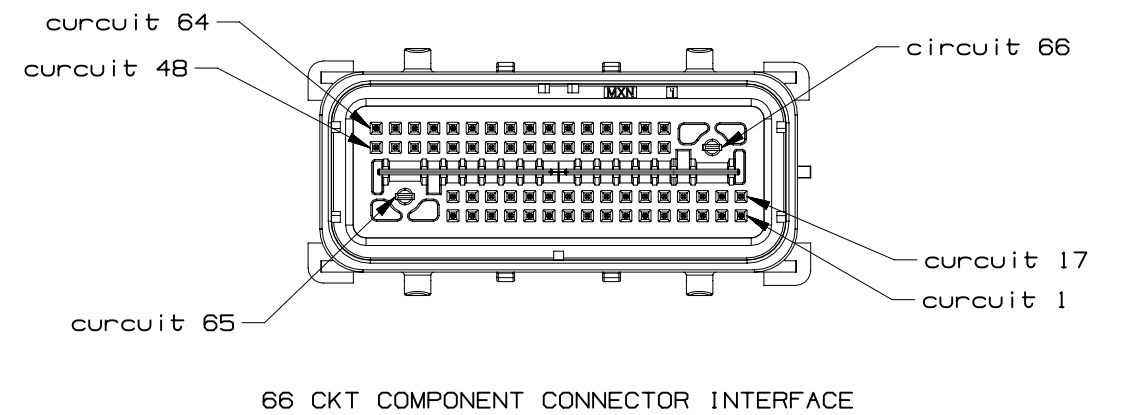
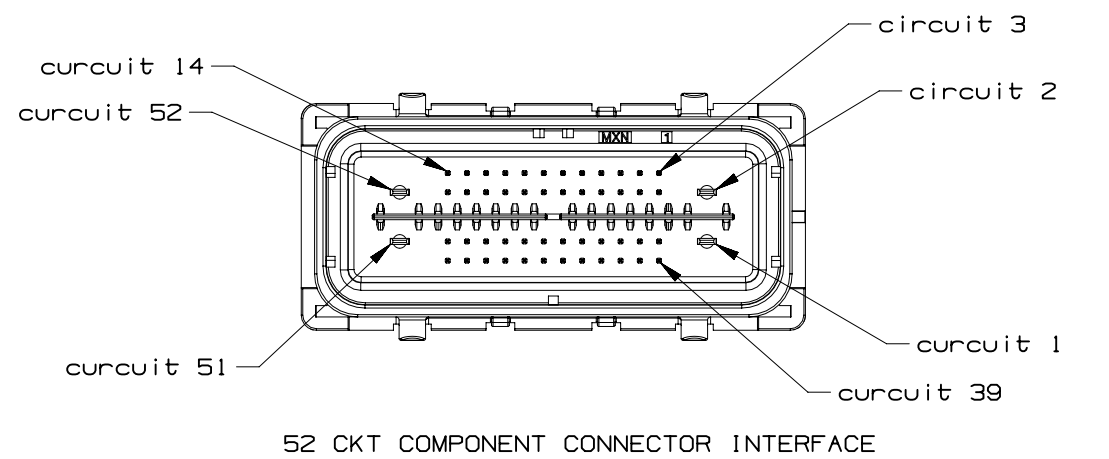
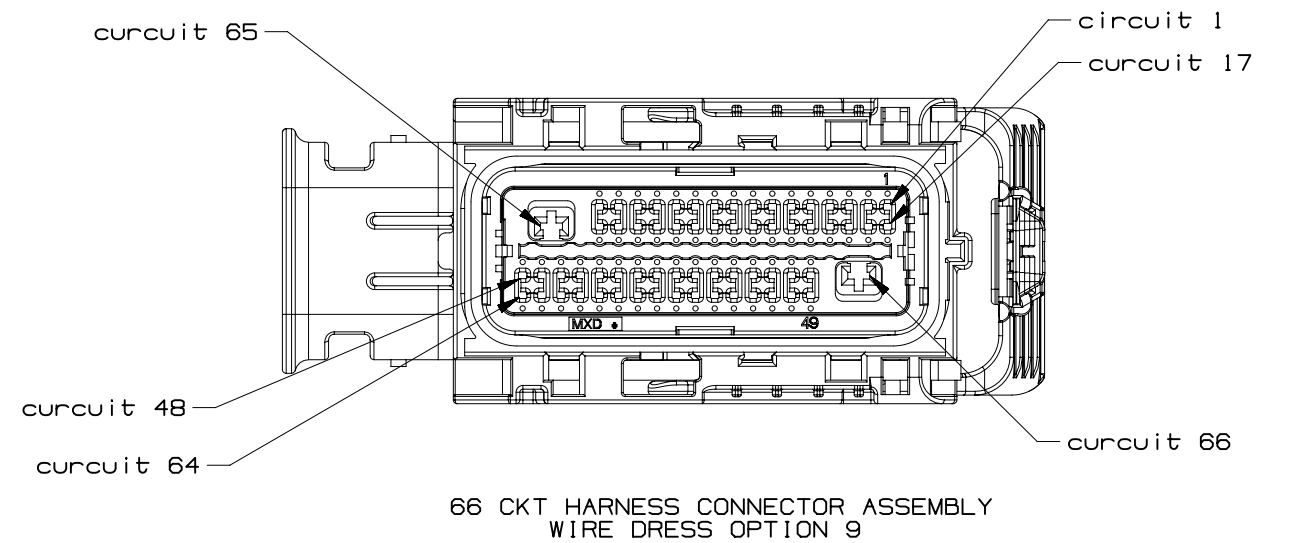
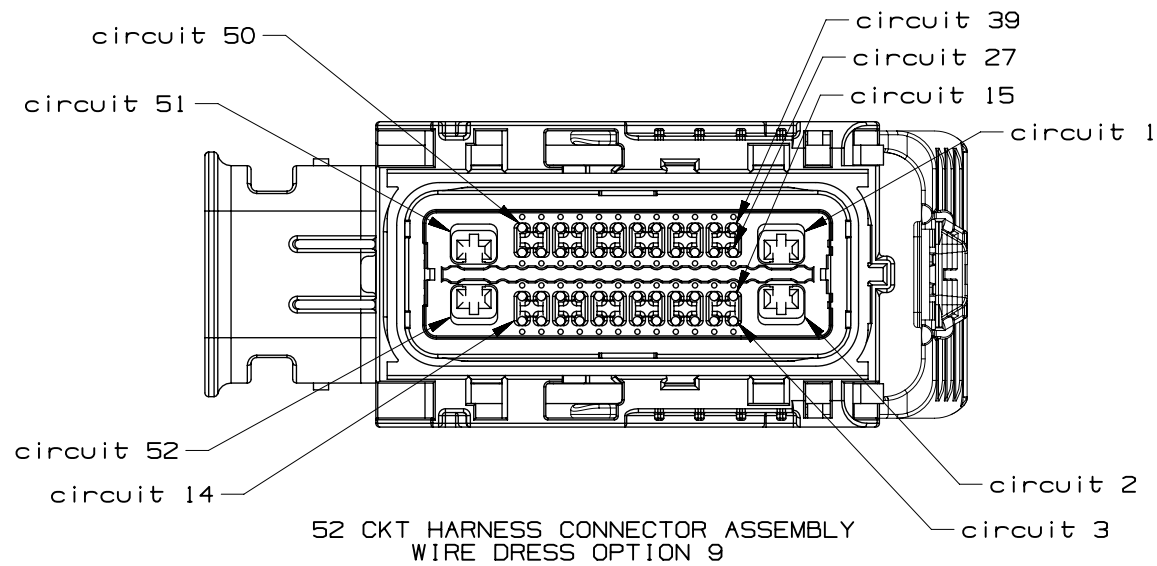
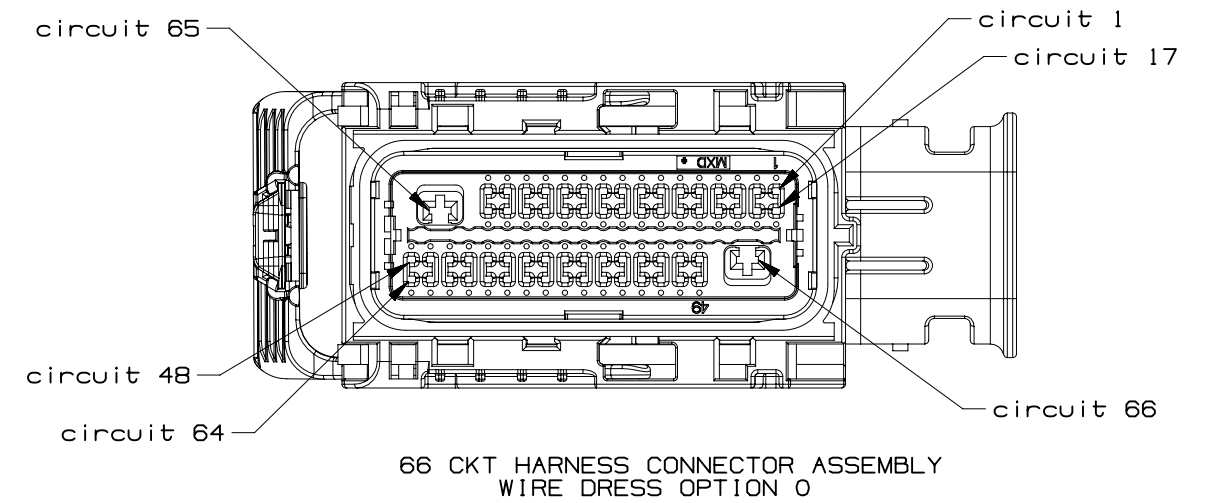
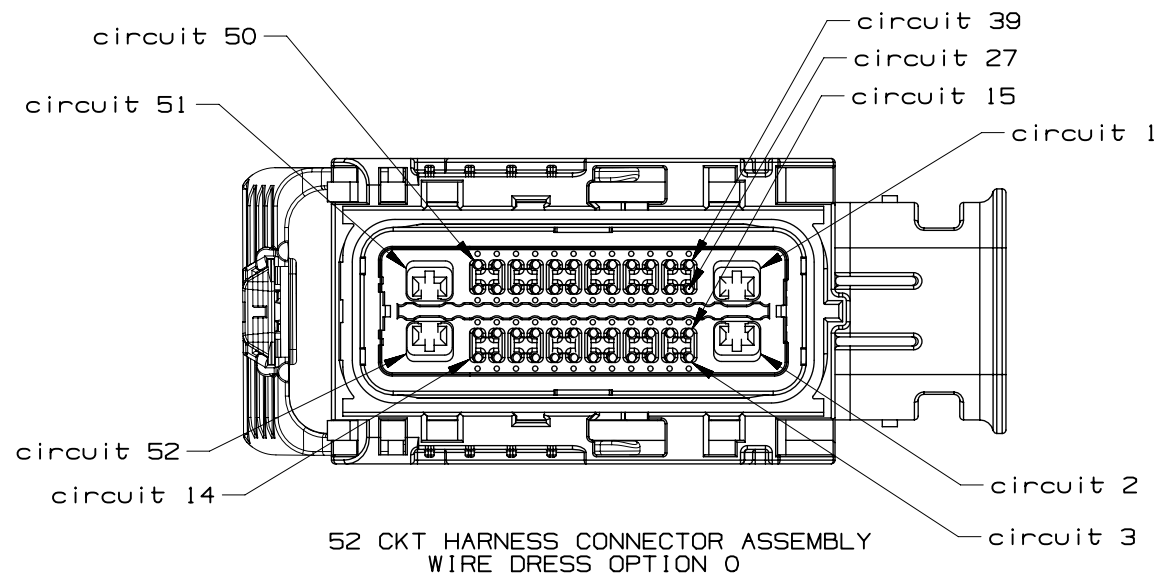


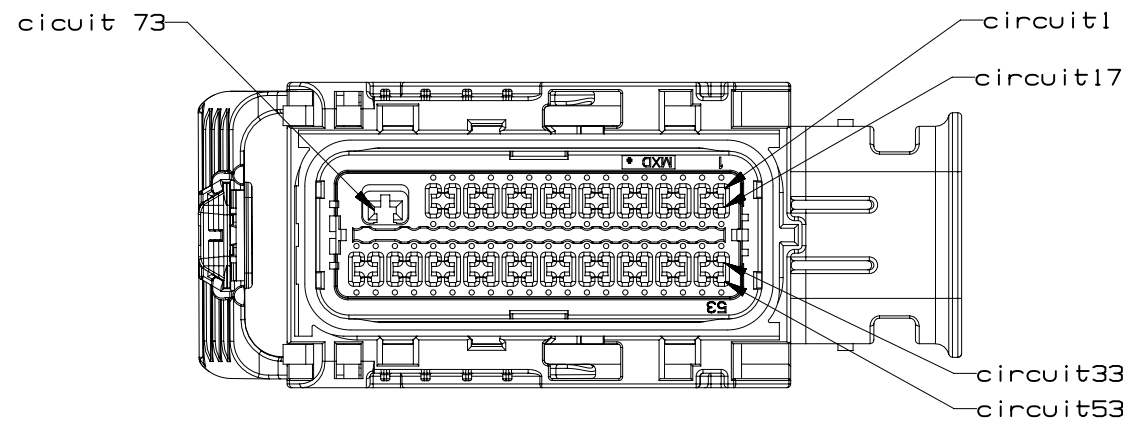
PAGE TITLE
KEY ID REF - WIRE DRESS OPTION 9

DRAWING NUMBER
12672833

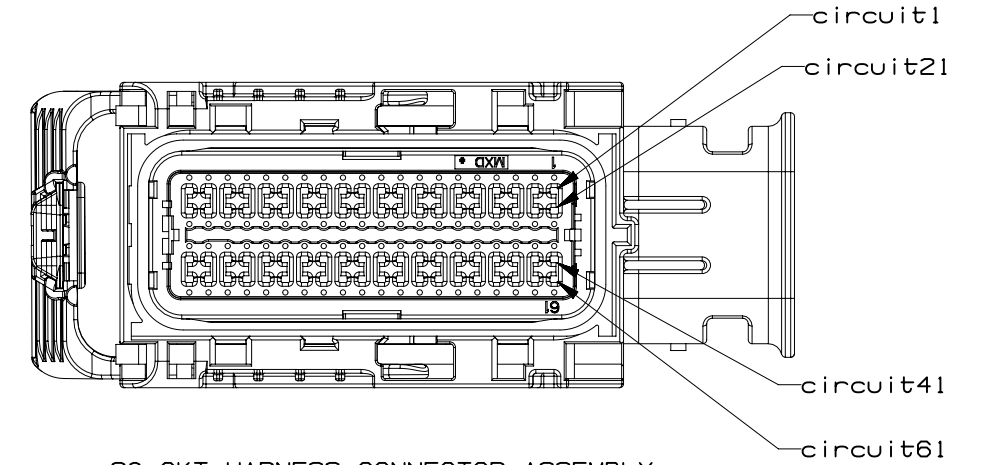
DWG STATUS		
ST	REV	PD1
R	001	

PAGE NUMBER
12 OF 22



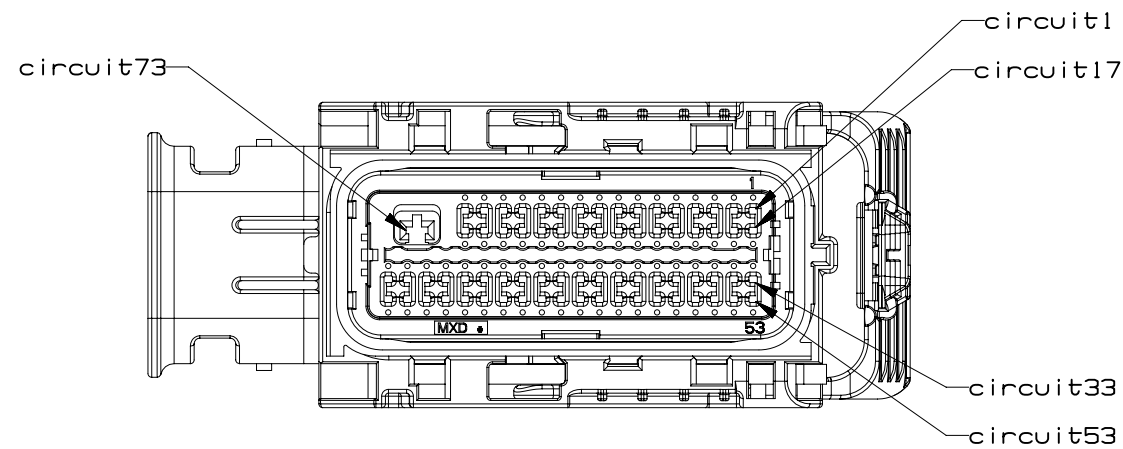


73 CKT HARNESS CONNECTOR ASSEMBLY
WIRE DRESS OPTION 0

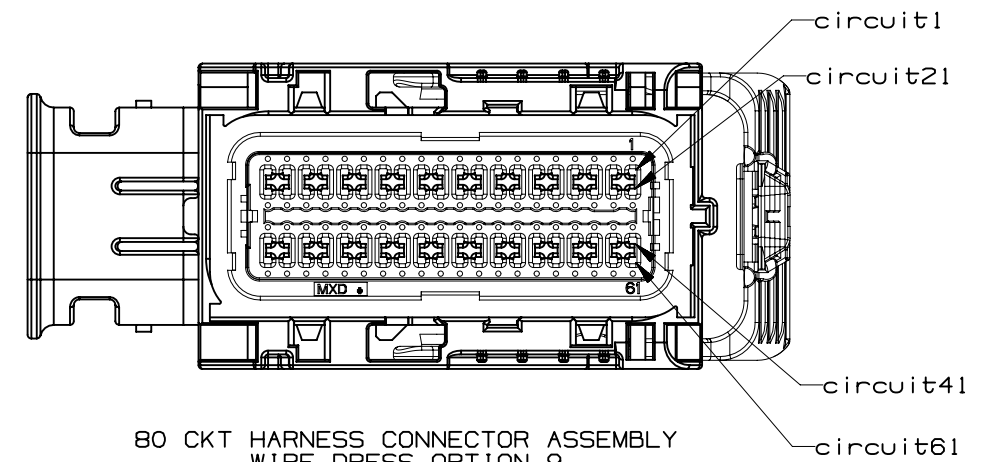


80 CKT HARNESS CONNECTOR ASSEMBLY
WIRE DRESS OPTION 0

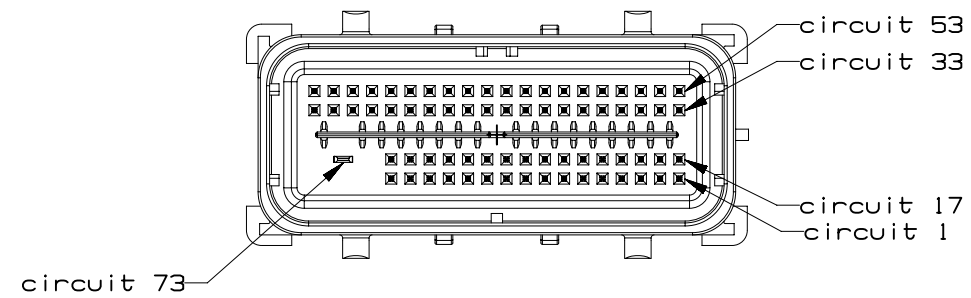
INTERFACE SIDE SHOWN ON ALL VIEWS



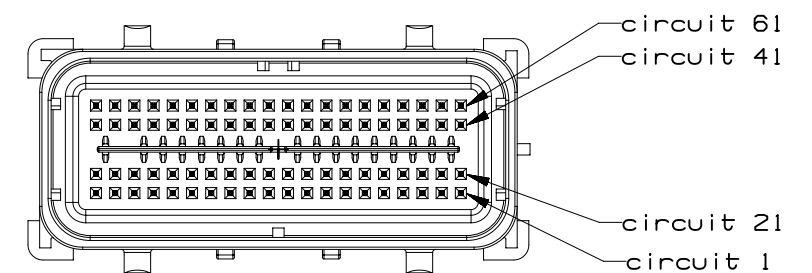
73 CKT HARNESS CONNECTOR ASSEMBLY
WIRE DRESS OPTION 9



80 CKT HARNESS CONNECTOR ASSEMBLY
WIRE DRESS OPTION 9

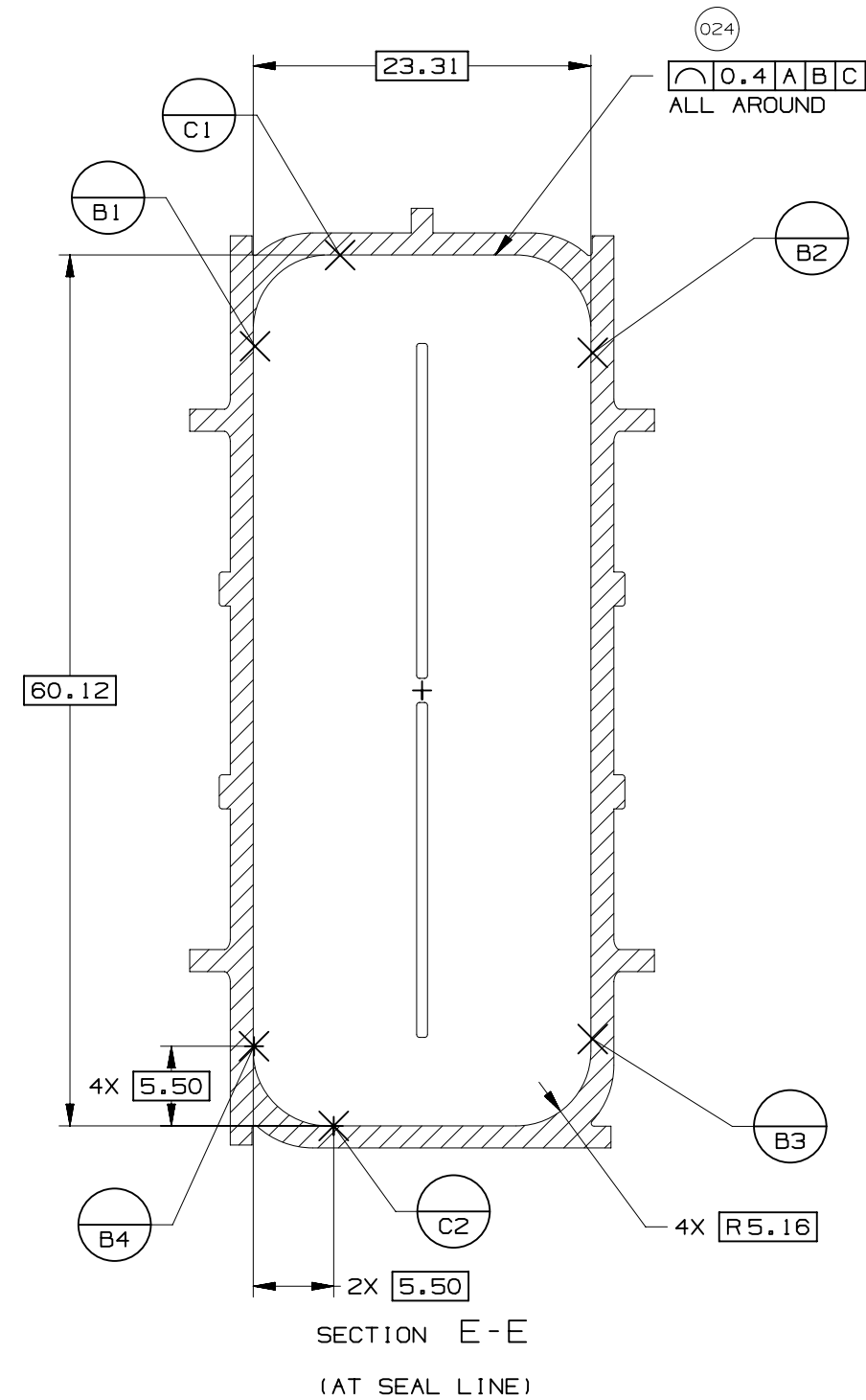
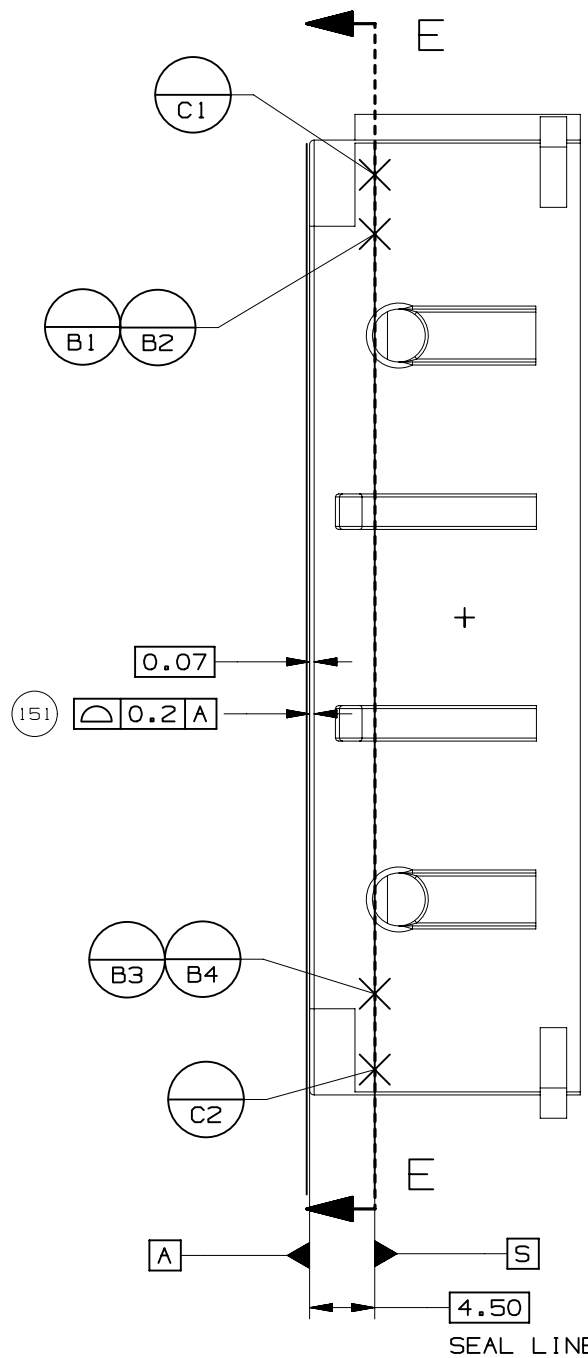
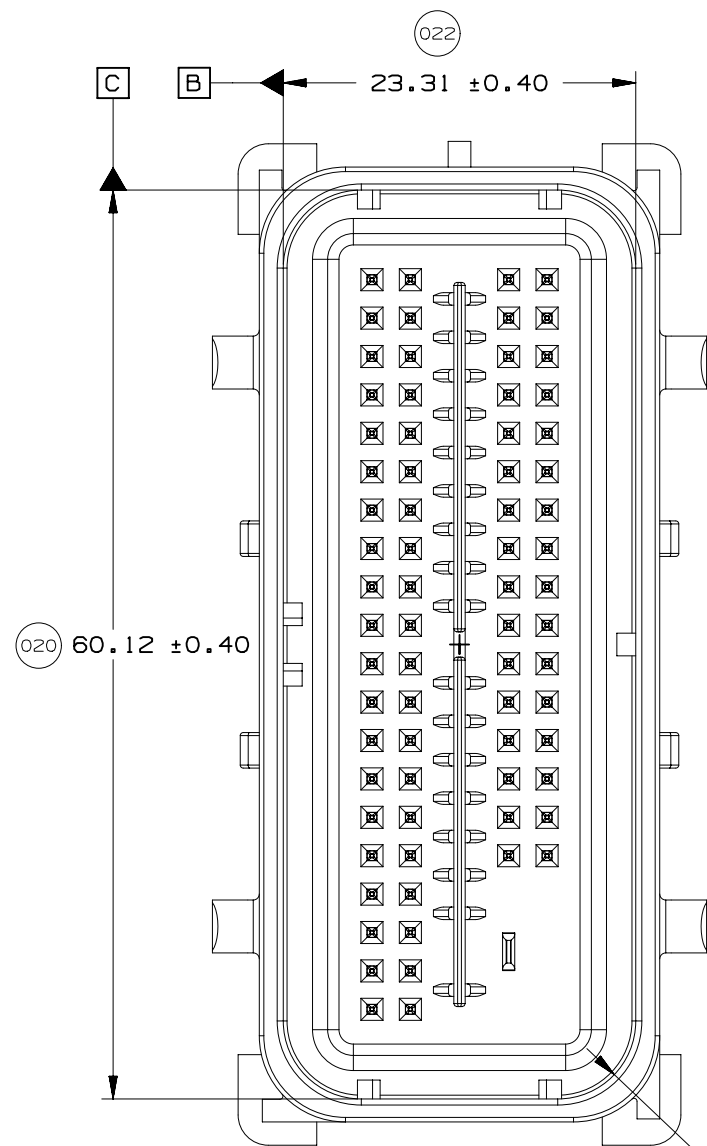
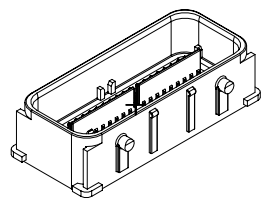


73 CKT COMPONENT CONNECTOR INTERFACE



80 CKT COMPONENT CONNECTOR INTERFACE





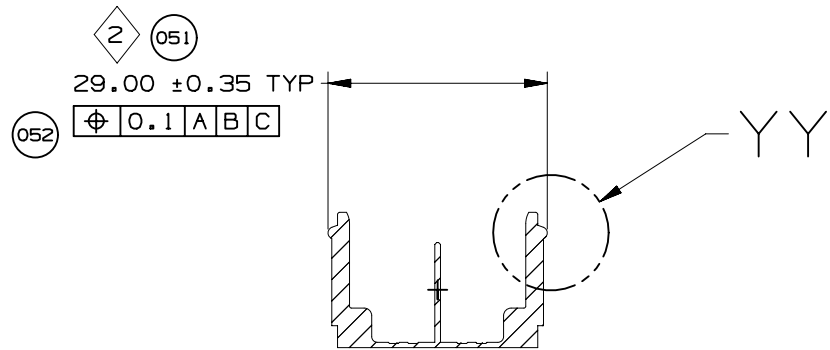
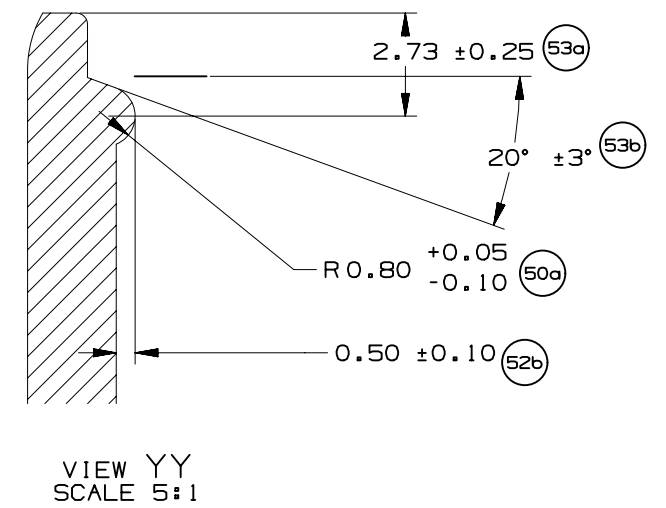
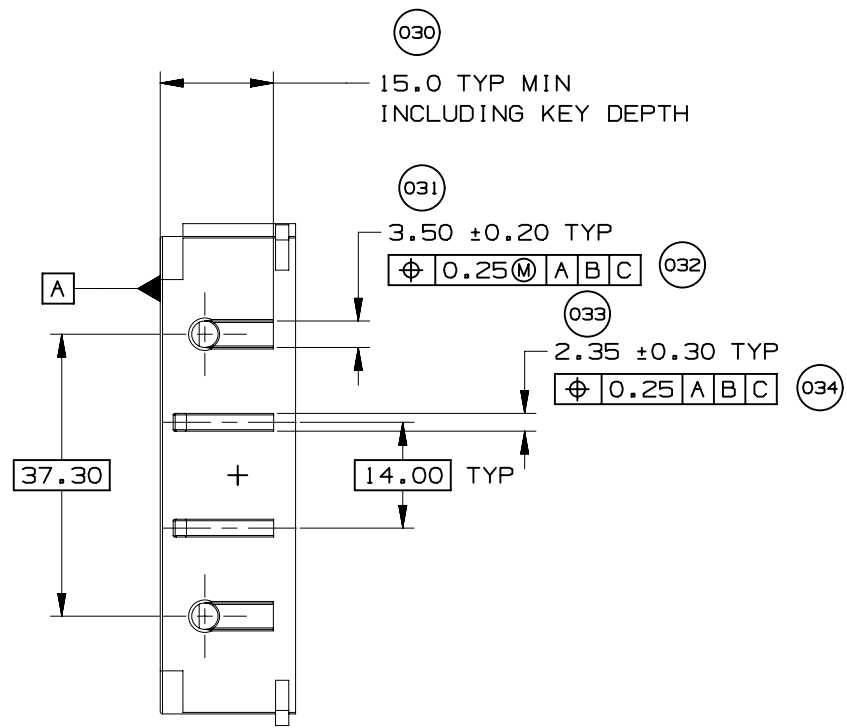
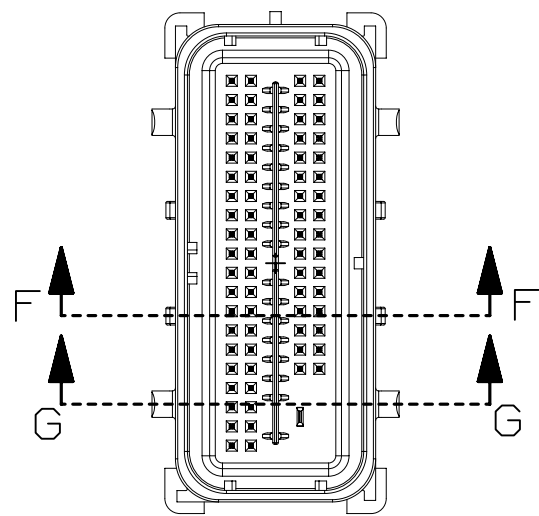
UNLESS SPECIFIED, TOLERANCE OF THE COMPONENT CONNECTOR INTERFACE TO BE $\nabla 0.13 \text{ A B C}$



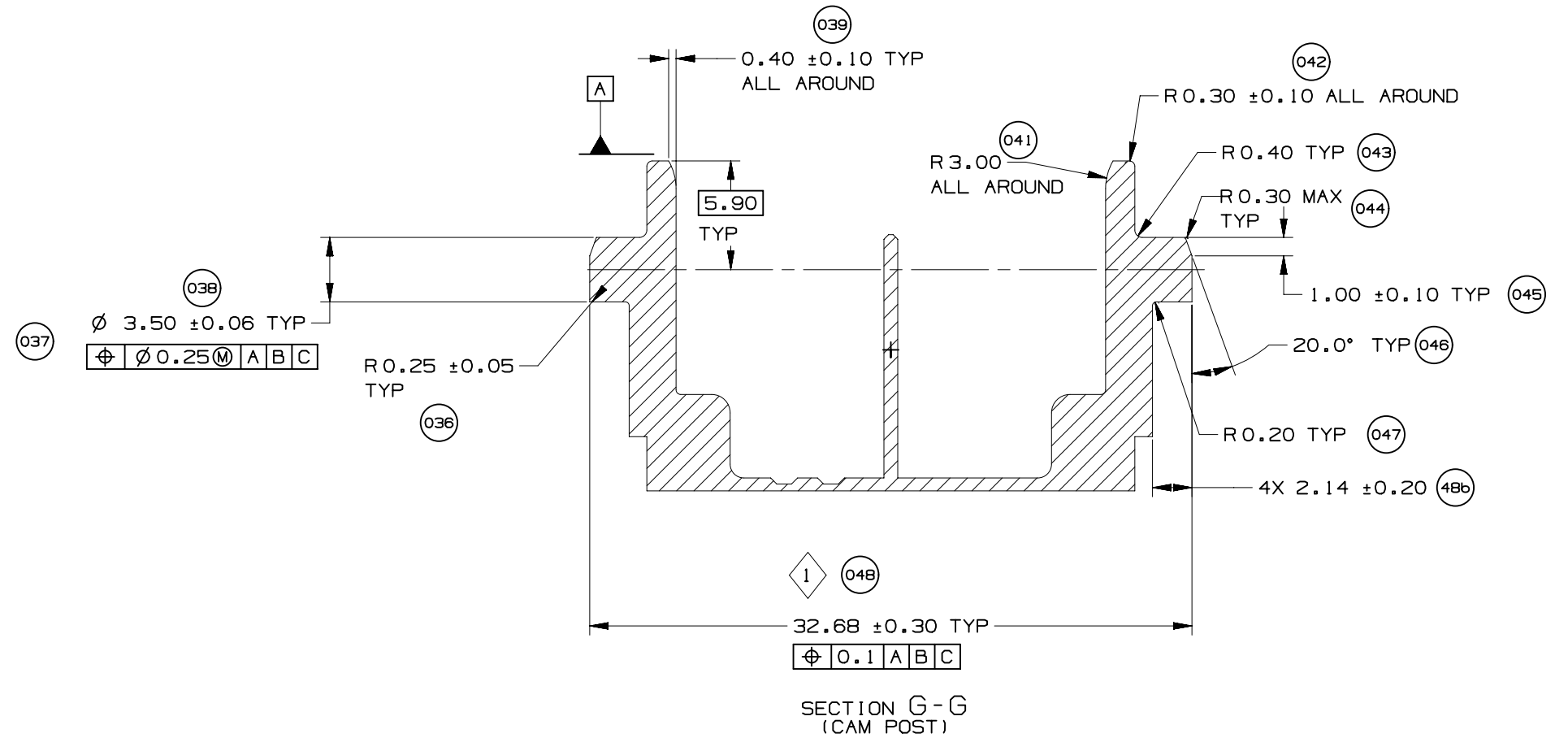
PAGE TITLE
COMPONENT CONNECTOR INTERFACE

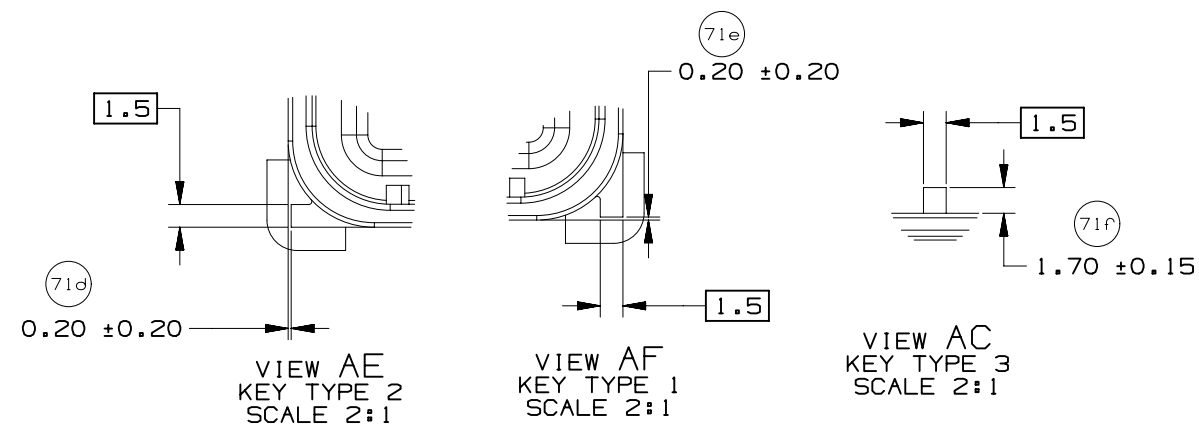
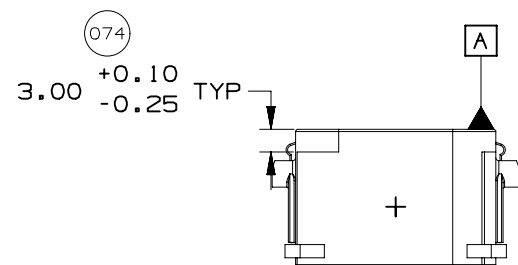
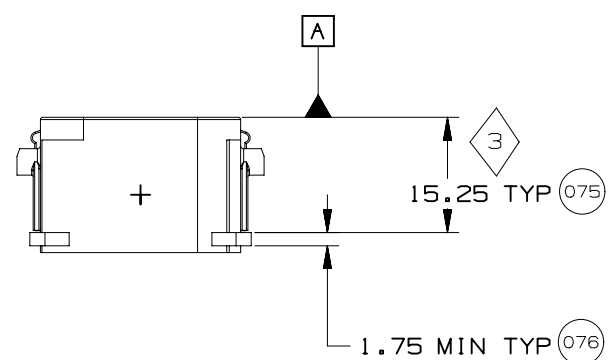
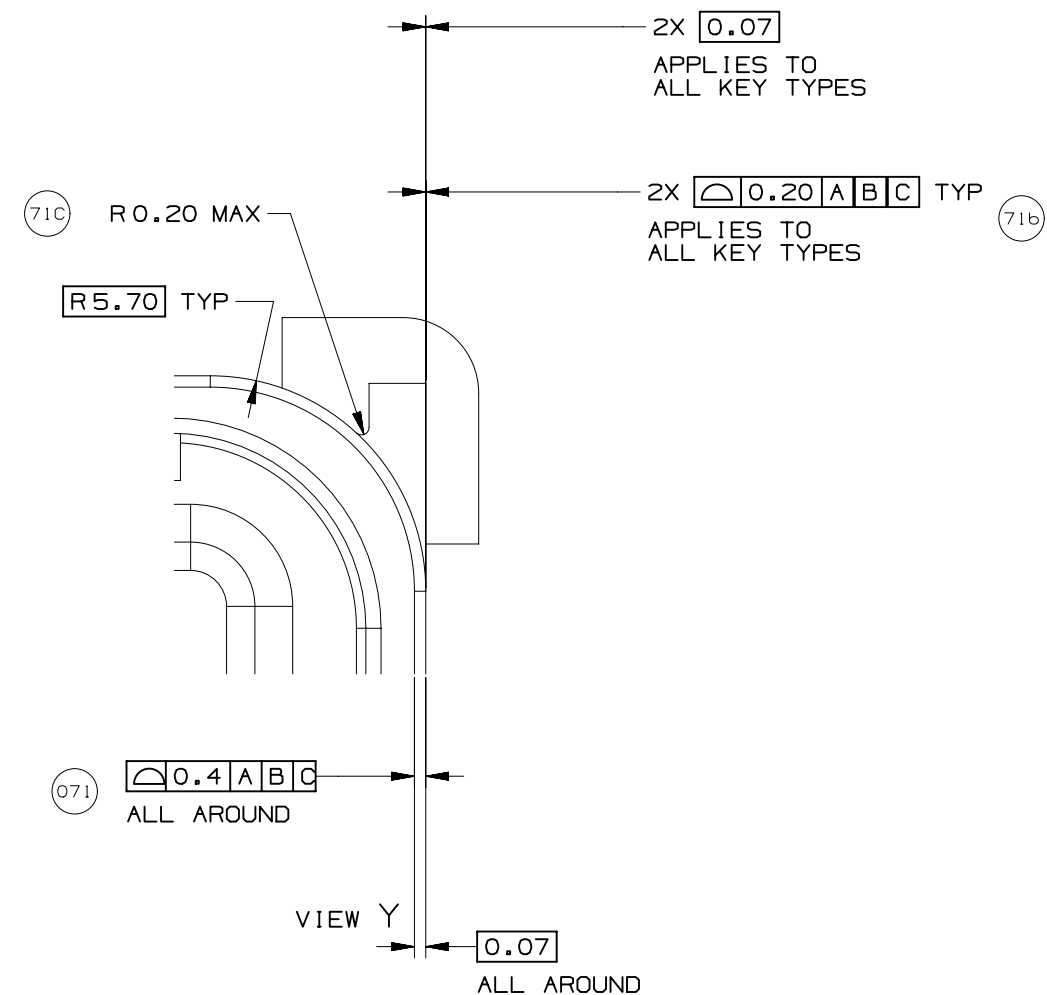
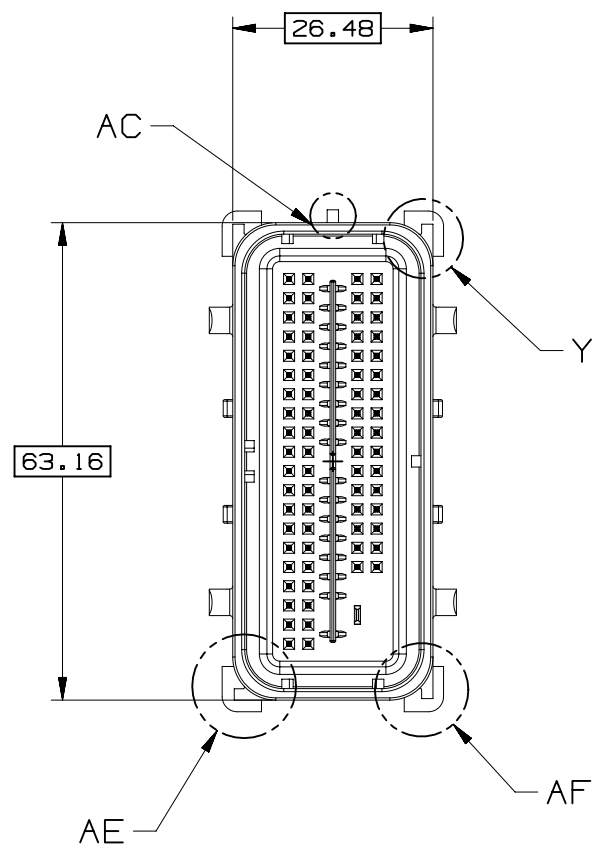
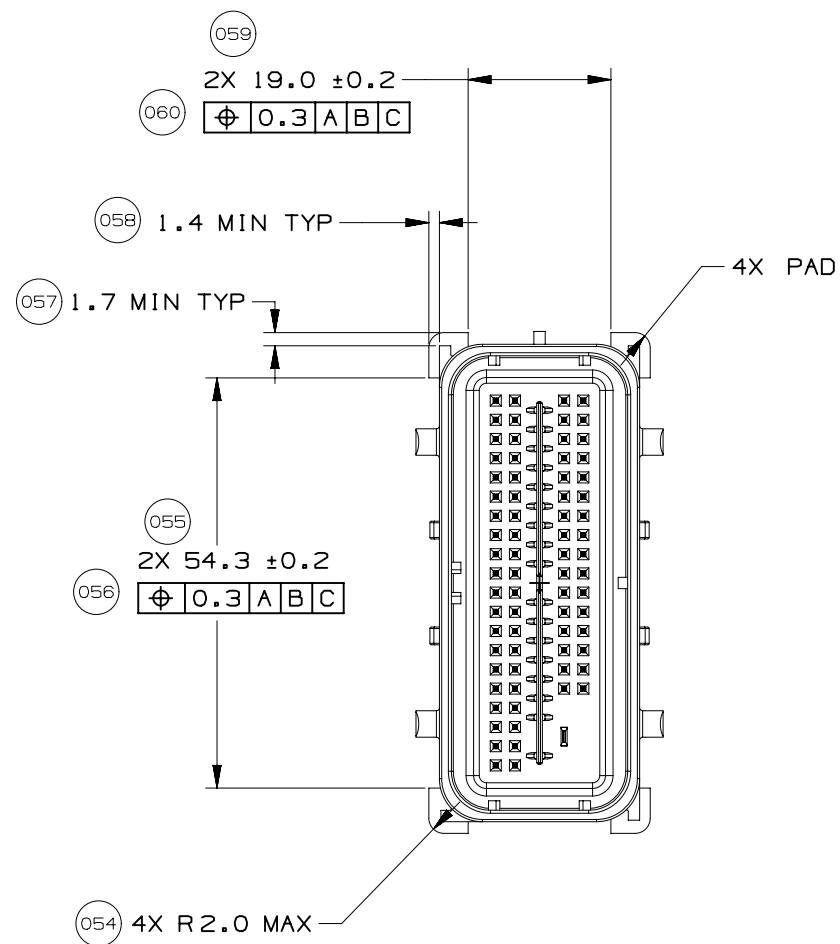
DRAWING NUMBER
12672833

DWG STATUS			PAGE NUMBER
ST	REV	PD1	
R	001		15 OF 22



SECTION F-F
(RELEASE FEATURE)

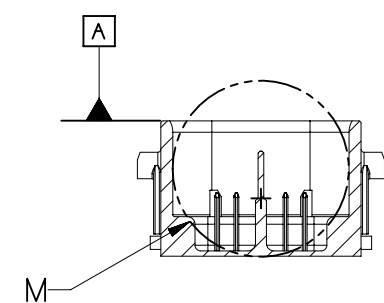
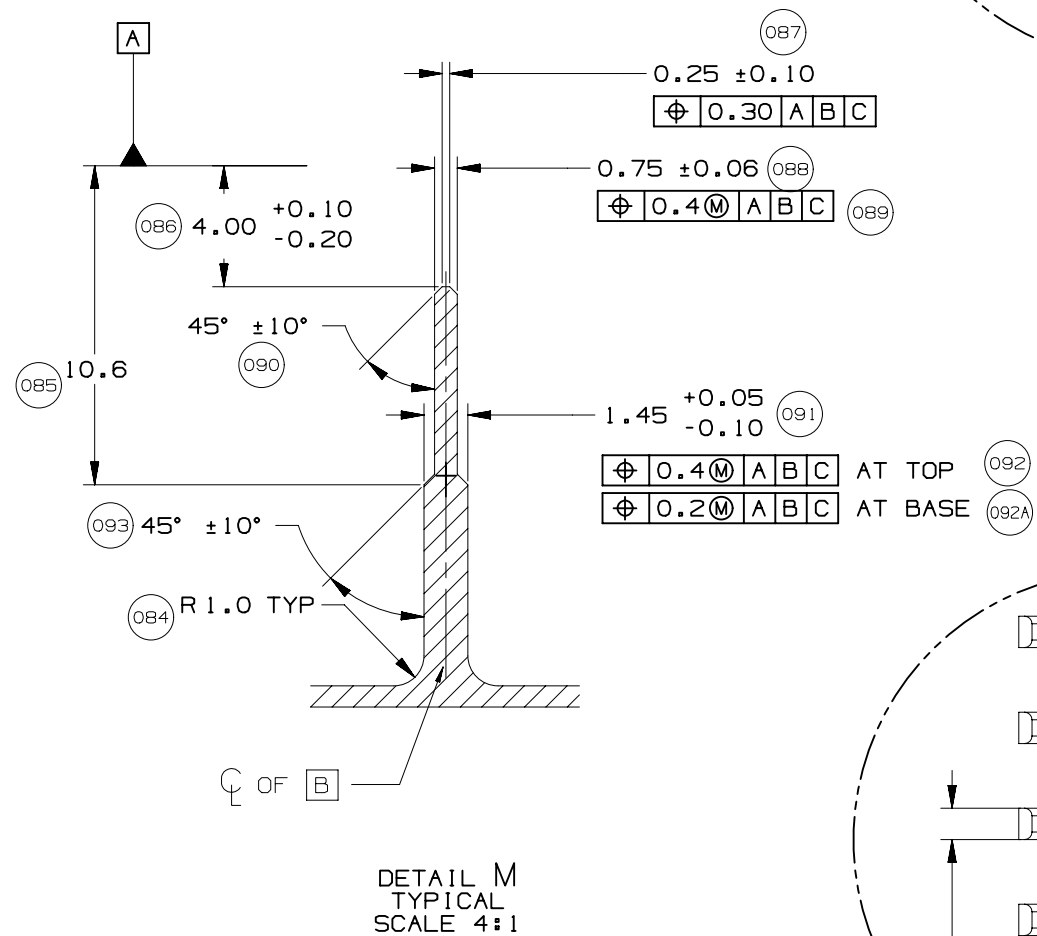
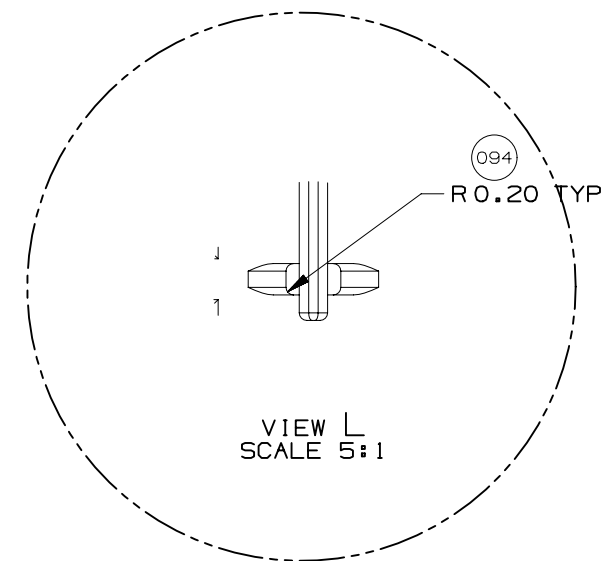
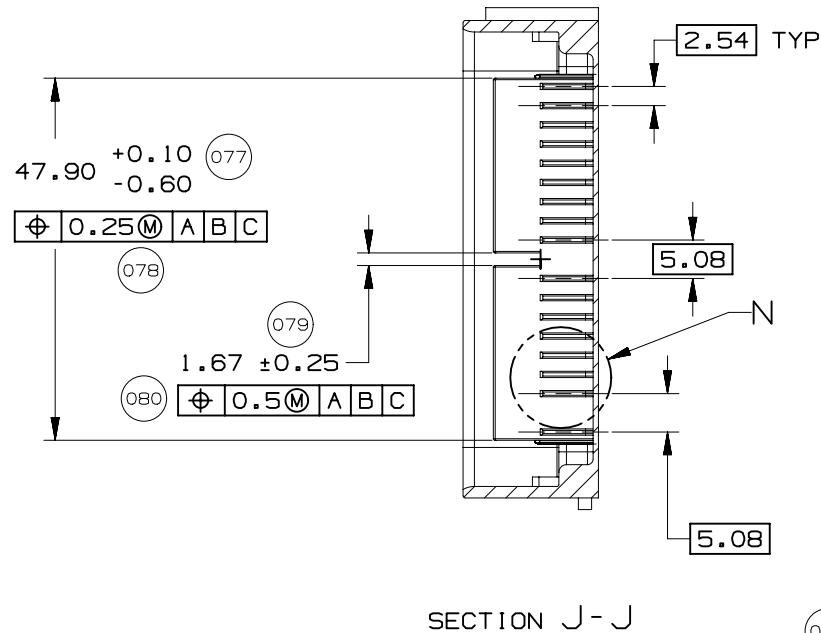
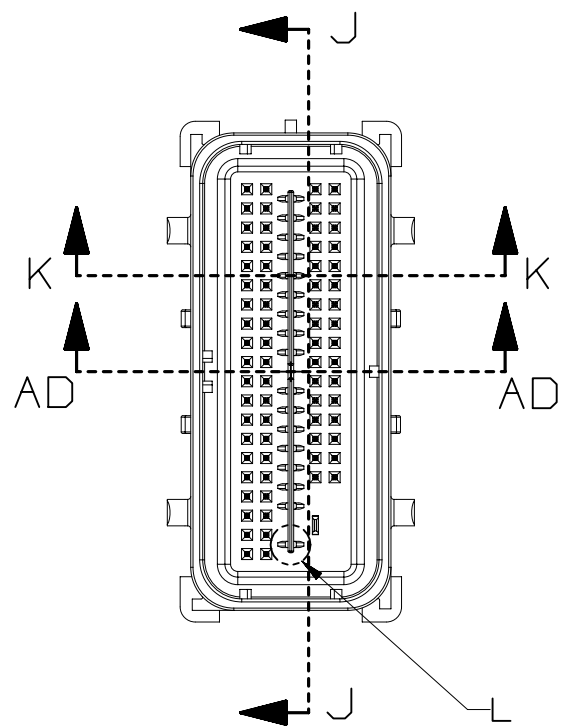




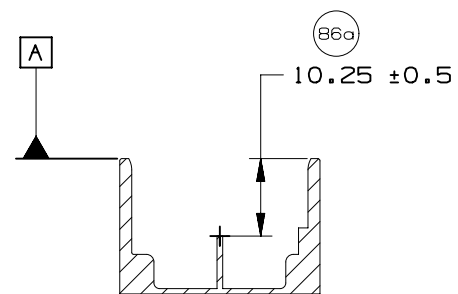
PAGE TITLE
 COMPONENT CONNECTOR INTERFACE

DRAWING NUMBER
 12672833

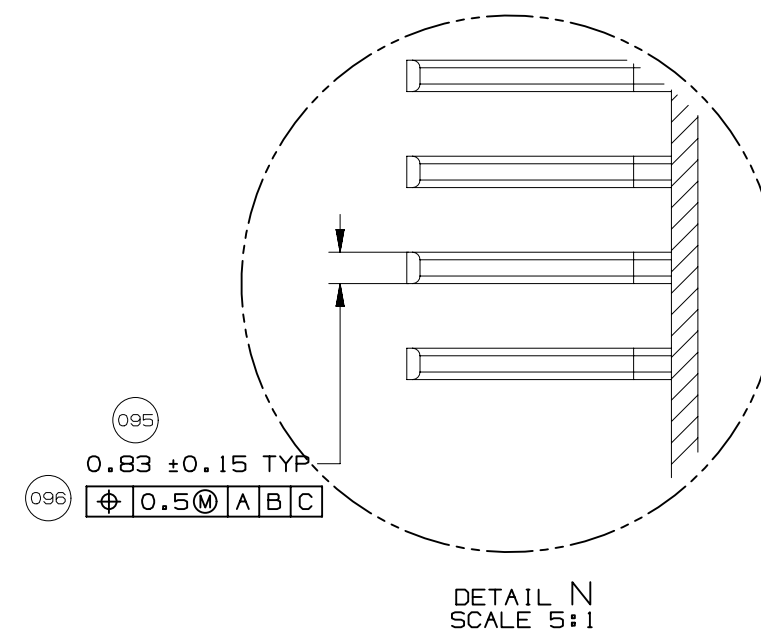
DWG STATUS			PAGE NUMBER	
ST	REV	PD1		
R	001		17	OF 22



SECTION K-K

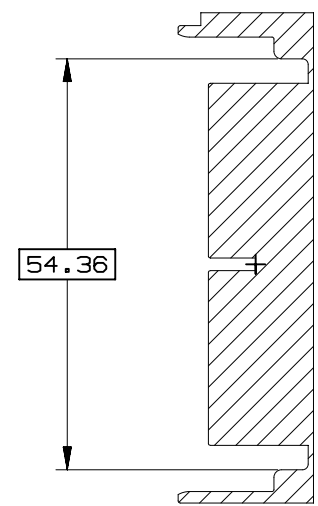
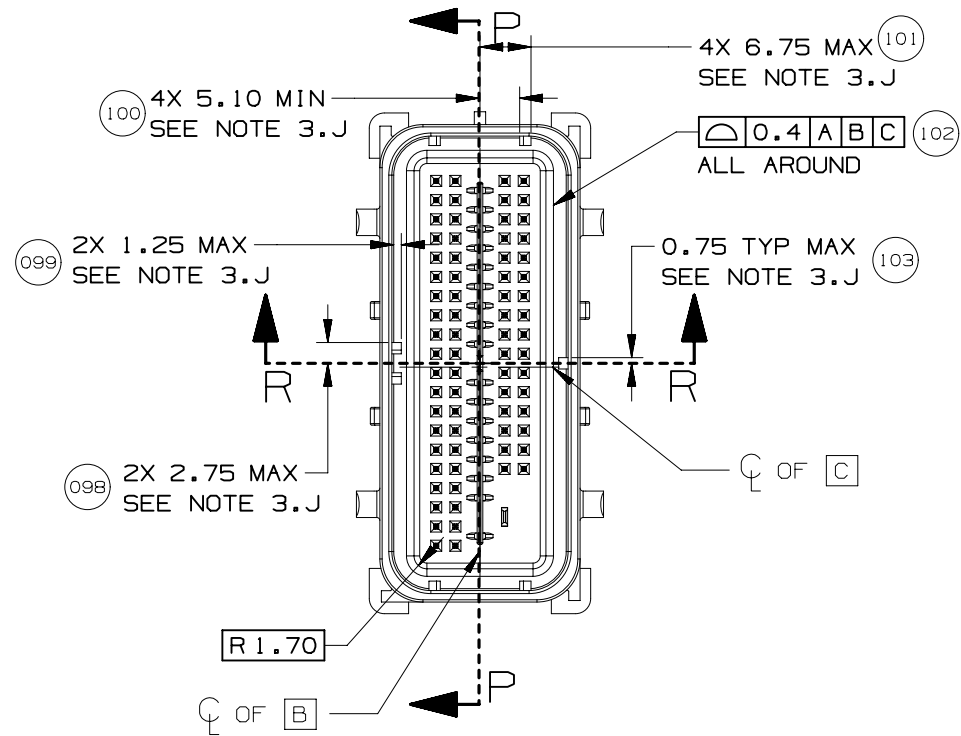


SECTION AD-AD

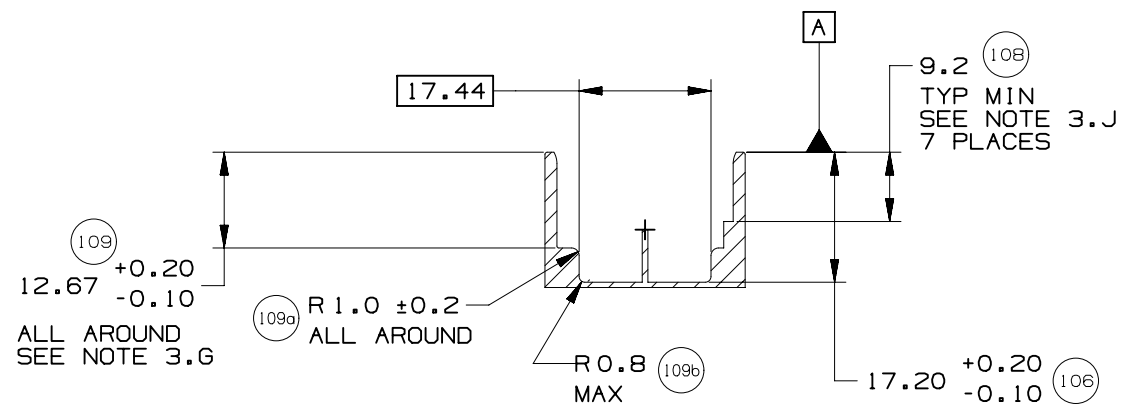


DETAIL N
SCALE 5:1





SECTION P-P



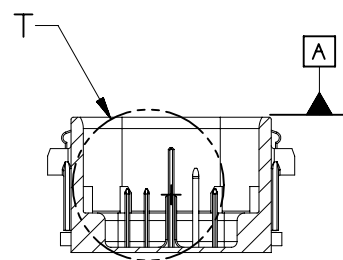
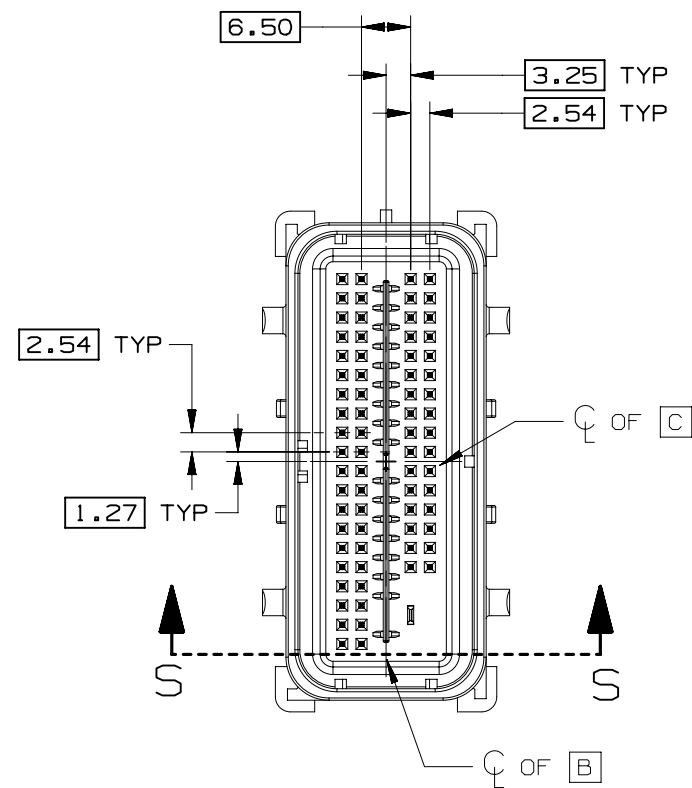
SECTION R-R



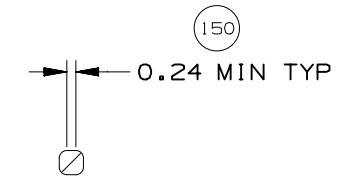
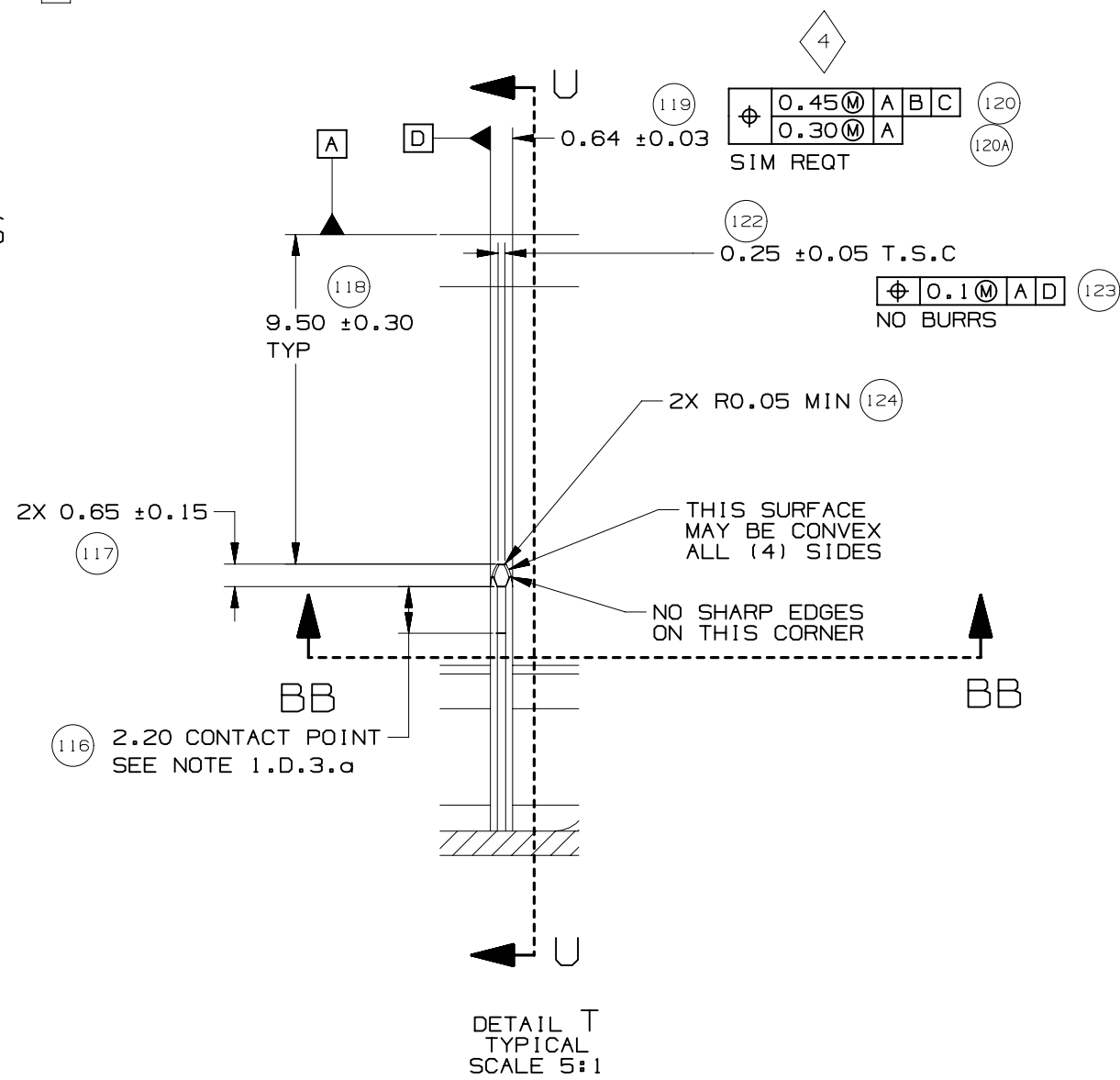
PAGE TITLE
COMPONENT CONNECTOR INTERFACE

DRAWING NUMBER
12672833

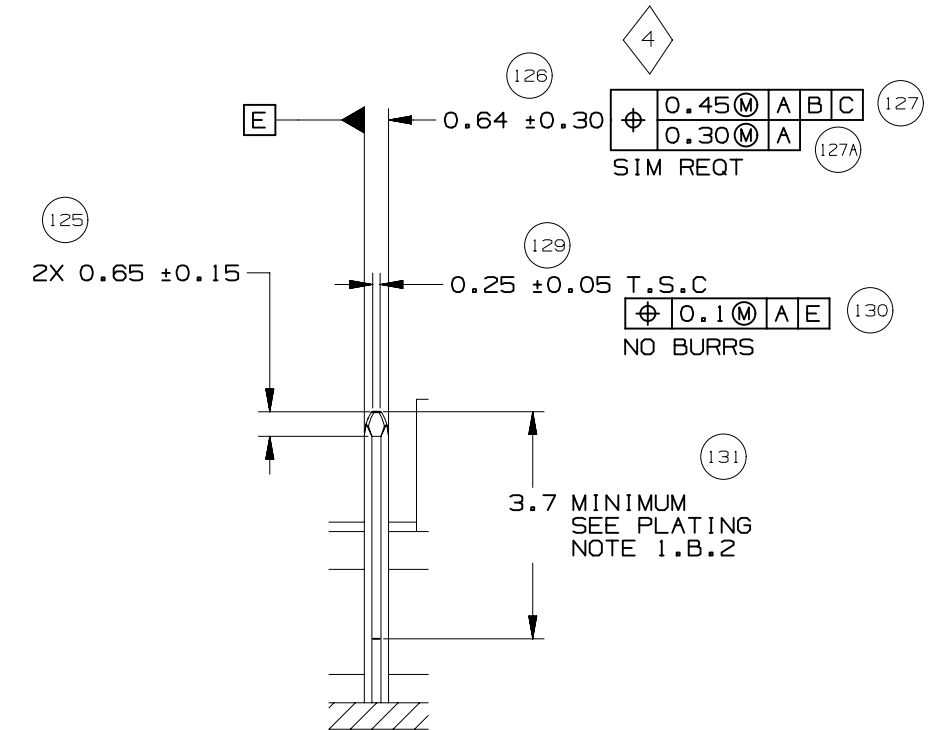
DWG STATUS			PAGE NUMBER	
ST	REV	PD1	19	OF 22
R	001			



SECTION S-S

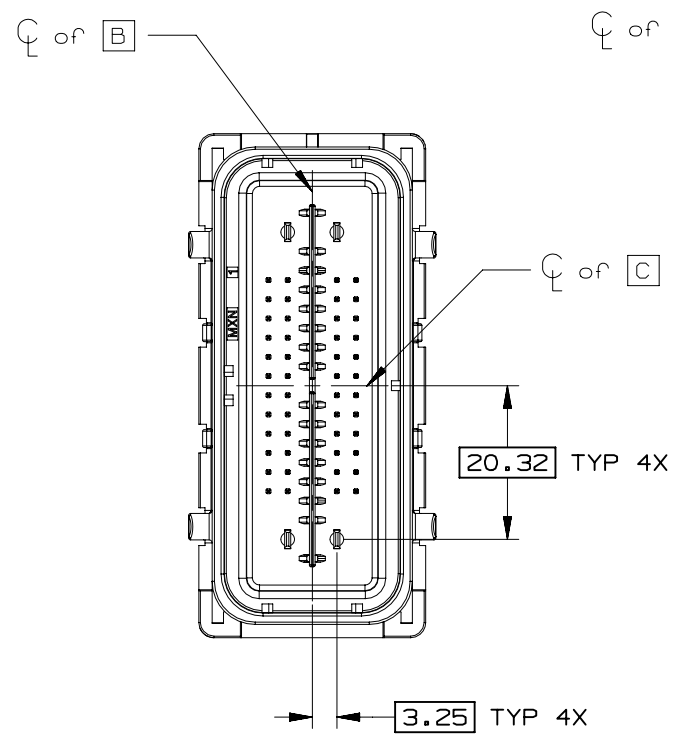


SECTION BB-BB

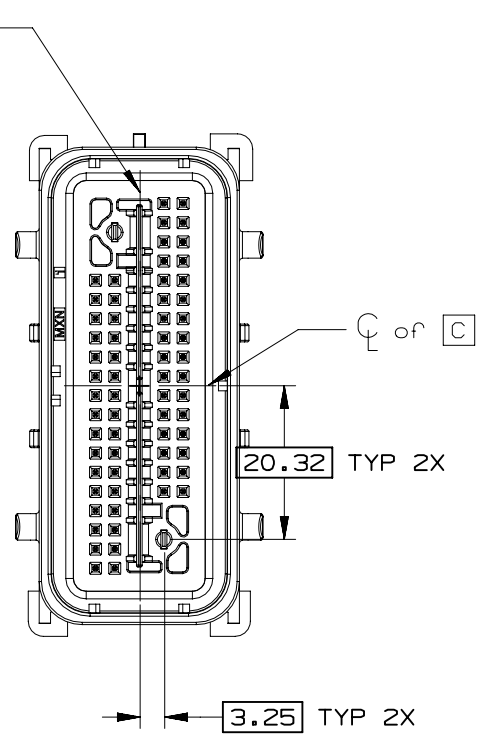


SECTION U-U
TYPICAL

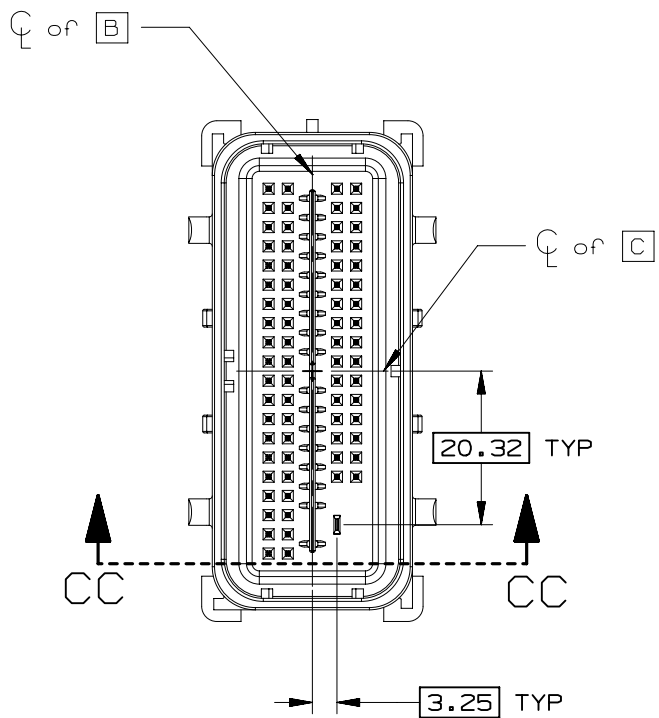




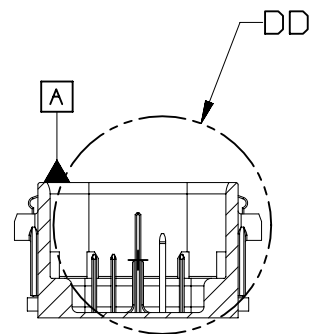
52 CKT COMPONENT CONNECTOR INTERFACE



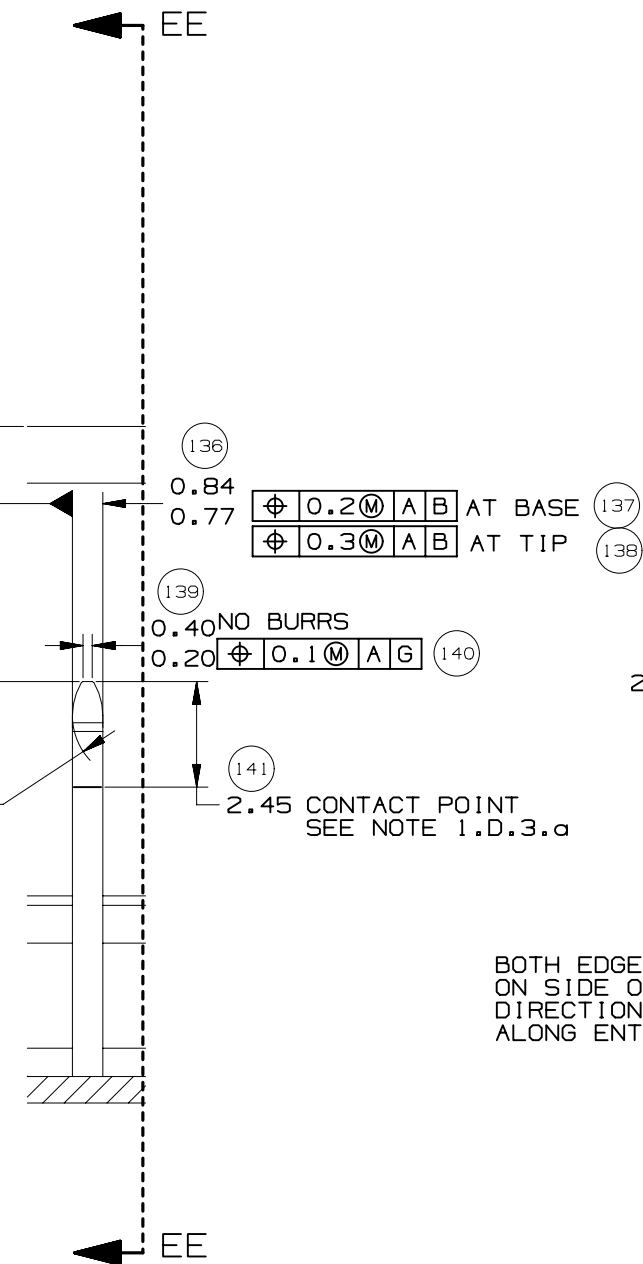
66 CKT COMPONENT CONNECTOR INTERFACE



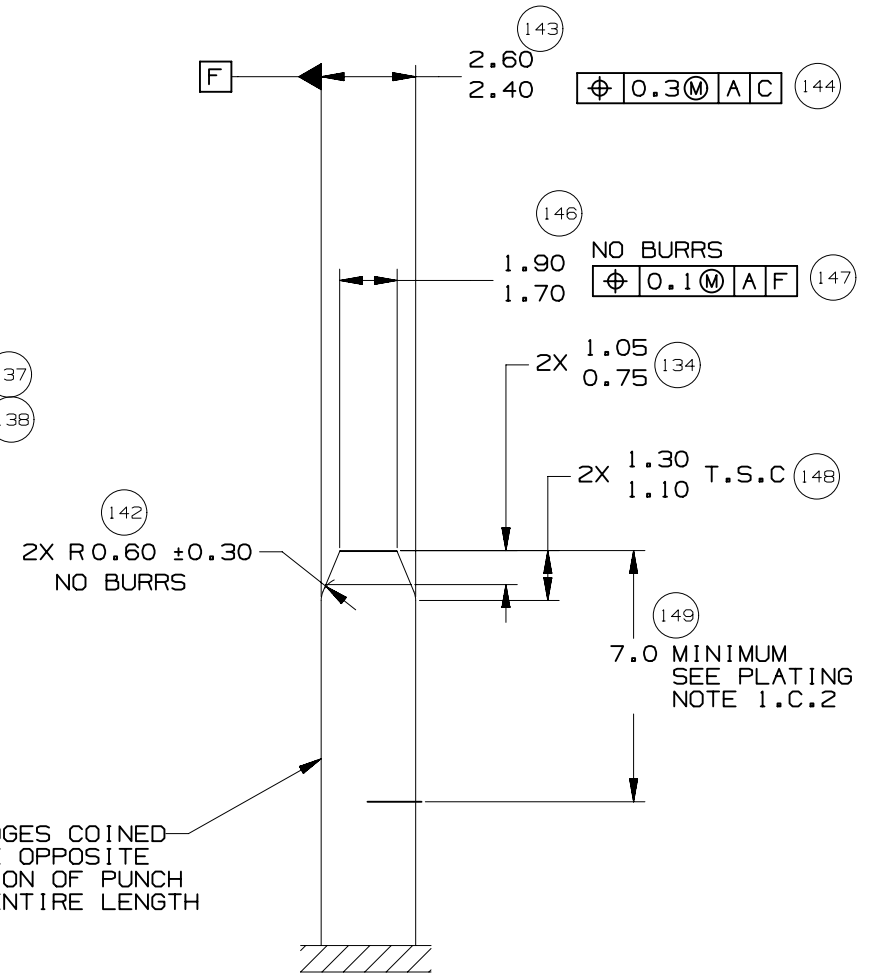
73 CKT COMPONENT CONNECTOR INTERFACE



SECTION CC-CC



DETAIL DD TYPICAL SCALE 5:1



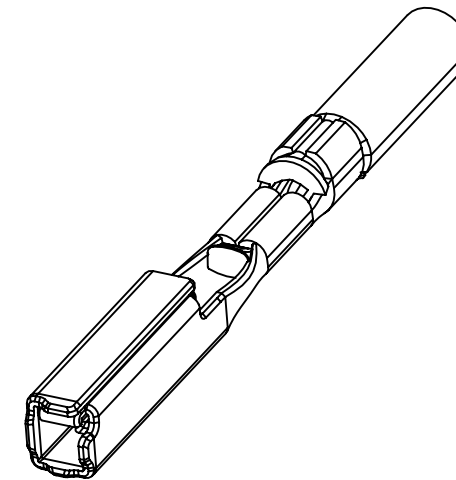
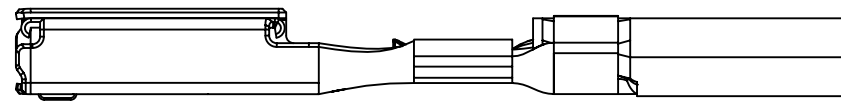
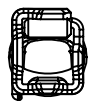
SECTION EE-EE TYPICAL

BOTH EDGES COINED ON SIDE OPPOSITE DIRECTION OF PUNCH ALONG ENTIRE LENGTH



MOLEX MX64 RECEPTACLE TERMINAL INFORMATION

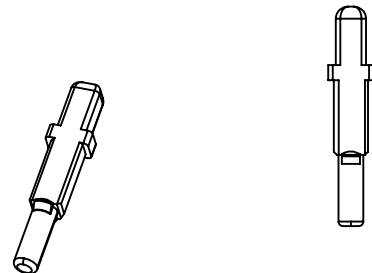
ITEM	MOLEX P/N	GM P/N	WIRE SIZE MM2	TYPE	PLATING	REEL WIND DIRECTION	COMMENTS
1	34736-0025		0.35	ISO	SILVER	LEFT	
2	34736-0026	12672850	0.35	ISO	SILVER	RIGHT	
3	34736-0027		0.5 / 0.75	ISO	SILVER	LEFT	
4	34736-0028	12672851	0.5 / 0.75	ISO	SILVER	RIGHT	



CAVITY PLUGS

ITEM	MFG	MFG P/N	GM P/N RD	SIZE	COLOR	MFG DRAWING	PROD SPEC	APP SPEC	COMMENTS
1	MOLEX	34586-0001	12674820	0.64	NATURAL	SD-34586-001	PS-34566-0000	AS-34566-001	
2	YAZAKI	7158-3114-90	12674821	2.8	BLUE	7158-3114-90	YPES-11-04-062	YPES-15-299	

ITEM 1



ITEM 2

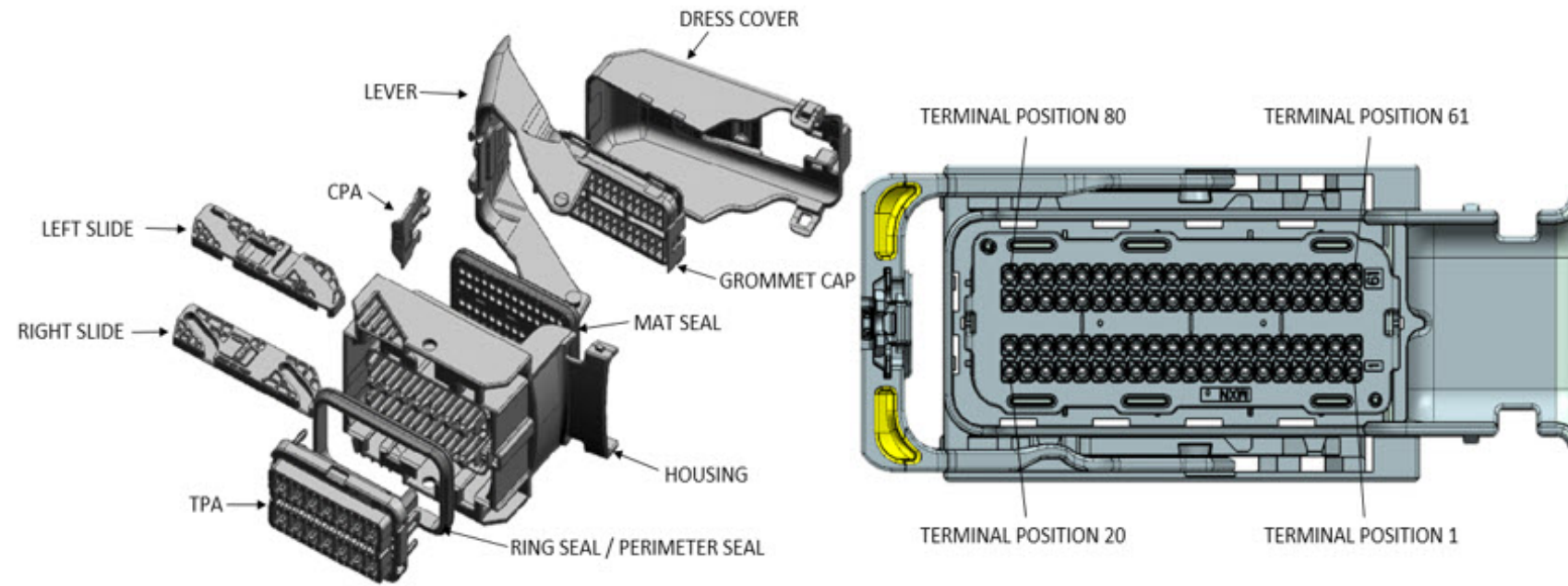


PAGE TITLE
ADDITIONAL COMPONENTS REQUIRED

DRAWING NUMBER
12672833

DWG STATUS		
ST	REV	PD1
R	001	

PAGE NUMBER
22 OF 22



ABBREVIATION	DESCRIPTION	COLOR	MATERIAL
G-CAP-0-P	GROMMET CAP OPTION 0 PLUGGED	BLACK	SPS/PA, G.F 30%
G-CAP-0-O	GROMMET CAP OPTION 0 ALL OPEN	BLACK	SPS/PA, G.F 30%
G-CAP-9-P	GROMMET CAP OPTION 9 PLUGGED	BLACK	SPS/PA, G.F 30%
G-CAP-9-O	GROMMET CAP OPTION 9 ALL OPEN	BLACK	SPS/PA, G.F 30%
C-HSG-G0	CONNECTOR HOUSING KEY G- WDC OPT 0	BLACK	SPS/PA, G.F 30%
C-HSG-H0	CONNECTOR HOUSING KEY H- WDC OPT 0	BLACK	SPS/PA, G.F 30%
C-HSG-J0	CONNECTOR HOUSING KEY J- WDC OPT 0	BLACK	SPS/PA, G.F 30%
C-HSG-K0	CONNECTOR HOUSING KEY K - WDC OPT 0	BLACK	SPS/PA, G.F 30%
C-HSG-L0	CONNECTOR HOUSING KEY L - WDC OPT 0	BLACK	SPS/PA, G.F 30%
C-HSG-M0	CONNECTOR HOUSING KEY M- WDC OPT 0	BLACK	SPS/PA, G.F 30%
C-HSG-G9	CONNECTOR HOUSING KEY G- WDC OPT 9	BLACK	SPS/PA, G.F 30%
C-HSG-H9	CONNECTOR HOUSING KEY H- WDC OPT 9	BLACK	SPS/PA, G.F 30%
C-HSG-J9	CONNECTOR HOUSING KEY J- WDC OPT 9	BLACK	SPS/PA, G.F 30%
C-HSG-K9	CONNECTOR HOUSING KEY K- WDC OPT 9	BLACK	SPS/PA, G.F 30%
C-HSG-L9	CONNECTOR HOUSING KEY L- WDC OPT 9	BLACK	SPS/PA, G.F 30%
C-HSG-M9	CONNECTOR HOUSING KEY M- WDC OPT 9	BLACK	SPS/PA, G.F 30%
TPA-G0	TERMINAL POSITION ASSURANCE (TPA) OPTION 0	BLUE	SPS/PA, G.F 30%
TPA-H0	TERMINAL POSITION ASSURANCE (TPA) OPTION 0	STONE GRAY	SPS/PA, G.F 30%
TPA-J0	TERMINAL POSITION ASSURANCE (TPA) OPTION 0	BLACK	SPS/PA, G.F 30%
TPA-K0	TERMINAL POSITION ASSURANCE (TPA) OPTION 0	BROWN	SPS/PA, G.F 30%
TPA-L0	TERMINAL POSITION ASSURANCE (TPA) OPTION 0	GREEN	SPS/PA, G.F 30%
TPA-M0	TERMINAL POSITION ASSURANCE (TPA) OPTION 0	NATURAL	SPS/PA, G.F 30%
TPA-G9	TERMINAL POSITION ASSURANCE (TPA) OPTION 9	BLUE	SPS/PA, G.F 30%
TPA-H9	TERMINAL POSITION ASSURANCE (TPA) OPTION 9	STONE GRAY	SPS/PA, G.F 30%
TPA-J9	TERMINAL POSITION ASSURANCE (TPA) OPTION 9	BLACK	SPS/PA, G.F 30%
TPA-K9	TERMINAL POSITION ASSURANCE (TPA) OPTION 9	BROWN	SPS/PA, G.F 30%
TPA-L9	TERMINAL POSITION ASSURANCE (TPA) OPTION 9	GREEN	SPS/PA, G.F 30%
TPA-M9	TERMINAL POSITION ASSURANCE (TPA) OPTION 9	NATURAL	SPS/PA, G.F 30%
MAL	MATE ASSIST LEVER	BLACK	SPS/NYLON GF30
RS	SLIDE - RIGHT	BLACK	PBT W/PTFE, G.F. 30%
LS	SLIDE - LEFT	BLACK	PBT W/PTFE, G.F. 30%
CVR BLACK	DRESS COVER BLACK	BLACK	PBT, G.F. 30%
CVR GRAY	DRESS COVER GRAY	GRAY	PBT, G.F. 30%
CVR BLUE	DRESS COVER BLUE	BLUE	PBT, G.F. 30%
CVR BROWN	DRESS COVER BROWN	BROWN	PBT, G.F. 30%
CVR GREEN	DRESS COVER GREEN	GREEN	PBT, G.F. 30%
CVR NATURAL	DRESS COVER NATURAL	NATURAL	PBT, G.F. 30%
CVR YELLOW	DRESS COVER YELLOW	YELLOW	PBT, G.F. 30%
CPA	CONNECTOR POSITION ASSURANCE (CPA)	RED	PPE/PA 10% GF
MSEAL	MAT SEAL	RUST RED	INHERENTLY LUBRICATED SILICONE RUBBER
RSEAL	RING SEAL	RUST RED	INHERENTLY LUBRICATED SILICONE RUBBER

FOR ADDITIONAL INFORMATION SEE SD-34566-001

ASSEMBLY DESCRIPTION	ASSEMBLY PART NUMBER	CONNECTOR HOUSING	GROMMET CAP	TPA	RIGHT SLIDE	LEFT SLIDE	MATE ASSIST LEVER	CPA	MAT SEAL	RING SEAL	BLOCKED TERMINALS																				STATUS	COMMENTS	INTEGRAL COMPONENTS SOLD SEPARATELY DRESS COVER
											CAVITY WITH A NUMBER INDICATES BLOCKED TERMINAL POSITION CAVITY WITHOUT A NUMBER INDICATES OPEN TERMINAL POSITION																						
											60	61	62	63	64	65	66	67	68	69	70	71	72	73	74	75	76	77	78	79			
MX123 CONN ASSY 80 CKT BLU OPT0 KEY G/40	345660014	C-HSG-G0	G-CAP-0-P	TPA-G0	RS	LS	MAL	CPA	MSEAL	RSEAL	-	-	-	-	76	-	74	73	72	71	70	69	68	67	-	-	-	63	-	61	SALEABLE		345650003
MX123 CONN ASSY 80 CKT BLU OPT0 KEY G/0	345660024	C-HSG-G0	G-CAP-0-P	TPA-G0	RS	LS	MAL	CPA	MSEAL	RSEAL	80	79	78	77	76	75	74	73	72	71	70	69	68	67	66	65	64	63	62	61	SALEABLE		345650003
MX123 CONN ASSY 80 CKT BLU OPT0 KEY G/39	345660034	C-HSG-G0	G-CAP-0-P	TPA-G0	RS	LS	MAL	CPA	MSEAL	RSEAL	-	-	-	77	76	-	74	73	72	71	70	69	68	67	-	-	-	63	-	61	SALEABLE		345650003
MX123 CONN ASSY 80 CKT BLU OPT0 KEY G/39	345660054	C-HSG-G0	G-CAP-0-P	TPA-G0	RS	LS	MAL	CPA	MSEAL	RSEAL	-	-	-	-	76	-	74	73	72	71	70	69	68	67	-	-	-	63	-	61	SALEABLE		345650003

ASSEMBLY DESCRIPTION	ASSEMBLY PART NUMBER	CONNECTOR HOUSING	GROMMET CAP	TPA	RIGHT SLIDE	LEFT SLIDE	MATE ASSIST LEVER	CPA	MAT SEAL	RING SEAL	BLOCKED TERMINALS																				STATUS	COMMENTS	INTEGRAL COMPONENTS SOLD SEPARATELY DRESS COVER							
											CAVITY WITH A NUMBER INDICATES BLOCKED TERMINAL POSITION CAVITY WITHOUT A NUMBER INDICATES OPEN TERMINAL POSITION																													
											1	2	3	4	5	6	7	8	9	10	11	12	13	14	15	16	17	18	19	20										
MX123 CONN ASSY 80 CKT BLU OPT0 KEY G/43	345660574	C-HSG-G0	G-CAP-0-P	TPA-G0	RS	LS	MAL	CPA	MSEAL	RSEAL	-	-	-	-	-	-	74	73	72	71	-	69	-	-	-	-	64	63	-	61										
											-	-	-	-	-	-	-	-	-	-	-	-	-	-	-	-	-	-	-	-	49	48	47	46	45	-	43	42	41	
											-	-	38	37	-	-	34	33	-	-	30	29	-	-	26	25	-	23	22	21	-	-	-	-	-	-	-	-	-	-
											20	19	-	-	16	15	-	-	12	11	-	-	8	7	-	-	4	-	2	-	-	-	-	-	-	-	-	-	-	-
MX123 CONN ASSY 80 CKT BLU OPT9 KEY G/69	345660584	C-HSG-G9	G-CAP-9-P	TPA-G9	RS	LS	MAL	CPA	MSEAL	RSEAL	-	-	-	-	-	-	-	-	-	-	-	-	-	-	-	-	64	-	-	-										
											-	-	-	57	-	-	-	-	-	-	-	-	-	49	-	47	46	-	-	-	-	-	-	-	-	-	-	41		
											-	39	-	-	-	-	-	-	-	-	-	-	29	-	-	-	-	-	-	-	-	-	-	-	-	-	22	-	-	
											-	19	-	-	-	-	-	13	-	-	-	-	-	-	-	-	-	-	-	-	-	-	-	-	-	-	-	-	-	
MX123 CONN ASSY 80 CKT GRY OPT9 KEY H/50	345660594	C-HSG-H9	G-CAP-9-P	TPA-H9	RS	LS	MAL	CPA	MSEAL	RSEAL	80	79	78	77	76	-	-	-	-	71	70	-	-	-	66	-	-	63	-	-	-									
											60	-	58	57	-	-	54	-	51	-	-	-	-	-	-	-	-	-	-	-	-	-	-	-	42	-	-			
											-	39	38	37	36	35	-	33	-	31	-	-	-	-	-	-	-	-	-	-	-	-	-	-	-	-	-	-	-	
											20	19	-	-	16	-	-	-	-	-	-	9	-	7	6	-	4	3	-	-	-	-	-	-	-	-	-	-	-	
MX123 CONN ASSY 80 CKT BLU OPT9 KEY G/58	345660614	C-HSG-G9	G-CAP-9-P	TPA-G9	RS	LS	MAL	CPA	MSEAL	RSEAL	-	-	-	-	76	-	-	73	-	71	-	69	-	-	66	-	64	-	-	-										
											-	-	58	57	-	55	-	-	-	-	49	48	47	46	-	-	-	-	-	-	-	-	-	-	-	41				
											-	39	-	-	-	-	-	-	-	-	30	29	-	-	-	-	-	-	-	-	-	-	-	-	-	-	-	-	-	
											-	19	18	-	-	-	-	13	12	-	-	-	-	-	-	-	-	-	-	-	-	-	-	-	-	-	-	-	-	
MX123 CONN ASSY 80 CKT BLU OPT9 KEY G/32	345660644	C-HSG-G9	G-CAP-9-P	TPA-G9	RS	LS	MAL	CPA	MSEAL	RSEAL	-	-	-	-	76	-	74	73	72	71	70	69	68	67	-	-	-	63	62	61										
											60	-	58	-	56	55	54	-	52	51	50	49	48	47	-	45	44	43	42	-	-	-	-	-	-	-	-			
											40	-	-	-	36	-	34	-	-	31	-	29	28	27	26	-	-	-	23	22	21	-	-	-	-	-	-	-	-	
											-	19	-	17	-	15	14	13	-	11	10	9	8	-	-	-	-	-	-	-	-	-	-	-	-	-	-	-	1	
MX123 CONN ASSY 80 CKT BLU OPT9 KEY G/26	345660664	C-HSG-G9	G-CAP-9-P	TPA-G9	RS	LS	MAL	CPA	MSEAL	RSEAL	-	-	-	77	76	-	74	73	72	71	70	69	68	67	66	65	64	63	62	61										
											60	-	58	-	56	55	54	53	52	51	50	49	48	47	-	45	44	43	42	-	-	-	-	-	-	-	-			
											40	-	-	-	36	-	34	-	32	31	-	29	28	27	26	-	-	-	23	22	21	-	-	-	-	-	-	-		
											-	19	-	17	-	15	14	13	-	11	10	9	8	-	-	-	-	-	-	-	-	-	-	-	-	-	-	-	1	
MX123 CONN ASSY 80 CKT GRY OPT9 KEY H/43	345660684	C-HSG-H9	G-CAP-9-P	TPA-H9	RS	LS	MAL	CPA	MSEAL	RSEAL	-	79	78	77	76	-	-	-	-	71	70	-	-	67	66	-	-	63	-	-										
											60	-	58	57	-	-	54	53	-	51	50	-	-	-	-	45	-	-	42	-	-	-	-	-	-	-	-			
											40	39	38	37	36	35	-	33	32	31	-	-	-	-	-	-	-	-	-	-	-	-	-	-	-	-	-	-		
											20	19	-	-	16	15	-	-	-	-	-	9	8	7	6	-	4	3	-	-	-	-	-	-	-	-	-	-		
MX123 CONN ASSY 80 CKT BLU OPT0 KEY G/41	345660694	C-HSG-G0	G-CAP-0-P	TPA-G0	RS	LS	MAL	CPA	MSEAL	RSEAL	80	79	78	-	76	75	74	73	-	-	70	69	68	67	-	65	64	-	-	-										
											-	-	58	-	-	55	-	53	52	51	-	-	-	-	46	-	44	43	42	41	-	-	-	-	-	-	-			
											40	39	38	-	-	-	-	33	-	-	30	29	-	-	-	-	-	24	-	22	-	-	-	-	-	-	-	-		
											20	19	18	-	-	-	-	13	12	-	-	-	-	-	-	-	5	4	3	-	-	-	-	-	-	-	-	-		
MX123 CONN ASSY 80 CKT BLU OPT0 KEY G/80	345660703	C-HSG-G0	G-CAP-0-P	TPA-G0	RS	LS	MAL	CPA	MSEAL	RSEAL	-	-	-	-	-	-	-	-	-	-	-	-	-	-	-	-	-	-												
											-	-	-	-	-	-	-	-	-	-	-	-	-	-	-	-	-	-	-	-	-	-	-	-	-	-	-			
											-	-	-	-	-	-	-	-	-	-	-	-	-	-	-	-	-	-	-	-	-	-	-	-	-	-	-	-		
											-	-	-	-	-	-	-	-	-	-	-	-	-	-	-	-	-	-	-	-	-	-	-	-	-	-	-	-		
MX123 CONN ASSY 80 CKT GRY OPT0 KEY H/33	345660704	C-HSG-H0	G-CAP-0-P	TPA-H0	RS	LS	MAL	CPA	MSEAL	RSEAL	80	-	-	-	-	75	-	73	72	71	70	69	68	67	66	65	64	63	62	61										
											60	-	58	57	56	55	-	-	-	51	50	49	-	47	-	-	-	43	42	41	-	-	-	-	-	-	-			
											-	39	38	37	36	35	-	33	32	31	30	-	28	-	-	-	-	-	22	21	-	-	-	-	-	-	-	-		
											-	-	18	17	16	15	14	13	-	-	-	-	-	7	6	-	-	-	-	-	-	-	-	-	-	-	-	-		
MX123 CONN ASSY 80 CKT BLU OPT0 KEY G/34	345660714	C-HSG-G0	G-CAP-0-P	TPA-G0	RS	LS	MAL	CPA	MSEAL	RSEAL	-	-	78	77	76	75	74	73	72	71	70	69	68	67	66	65	64	63	62	61										
											-	-	-	-	-	55	54	53	52	51	50	49	48	47	46	45	44	43	42	41	-	-	-	-	-	-				
											-	-	-	-	-	-	-	-	32	-	-	-	-	27	-	-	24	23	22	21	-	-	-	-	-	-	-	-		
											-	-	-	17	-	15	14	13	12	-	-	-	-	-	-	-	5	4	-	-	-	-	-	-	-	-	-	-		
MX123 CONN ASSY 80 CKT GRY OPT0 KEY H/80	345660803	C-HSG-H0	G-CAP-0-P	TPA-H0	RS	LS	MAL	CPA	MSEAL	RSEAL	-	-	-	-	-	-	-	-	-	-	-	-	-	-	-	-	-	-												
											-	-	-	-	-	-	-	-	-	-	-	-	-	-	-	-	-	-	-	-	-	-	-	-	-	-				
											-	-	-	-	-	-	-	-	-	-	-	-	-	-	-	-	-	-	-	-	-	-	-	-	-	-	-	-		
											-	-	-	-	-	-	-	-	-	-	-	-	-	-	-	-	-	-	-	-	-	-	-	-	-	-	-	-		

ASSEMBLY DESCRIPTION	ASSEMBLY PART NUMBER	CONNECTOR HOUSING	GROMMET CAP	TPA	RIGHT SLIDE	LEFT SLIDE	MATE ASSIST LEVER	CPA	MAT SEAL	RING SEAL	BLOCKED TERMINALS																		STATUS	COMMENTS	INTEGRAL COMPONENTS SOLD SEPARATELY DRESS COVER			
											CAVITY WITH A NUMBER INDICATES BLOCKED TERMINAL POSITION CAVITY WITHOUT A NUMBER INDICATES OPEN TERMINAL POSITION																							
											80	79	78	77	76	75	74	73	72	71	70	69	68	67	66	65	64	63				62	61	
MX123 CONN ASSY 80 CKT GRY OPT0 KEY H/23	345661053	C-HSG-H0	G-CAP-0-P	TPA-H0	RS	LS	MAL	CPA	MSEAL	RSEAL	80	-	-	-	-	-	-	-	-	-	-	-	-	-	-	-	67	-	-	-	-	-	62	-
											-	-	-	-	-	55	54	-	-	51	-	49	48	47	46	45	-	-	42	-				
											-	-	-	-	36	-	-	-	-	31	-	-	28	-	-	25	24	23	-	-				
											-	-	-	-	-	15	-	-	-	-	10	-	-	7	-	-	4	-	-	1	-			
MX123 CONN ASSY 80 CKT GRY OPT0 KEY H/30	345661123	C-HSG-H0	G-CAP-0-P	TPA-H0	RS	LS	MAL	CPA	MSEAL	RSEAL	80	79	-	77	76	75	74	73	-	-	-	-	-	-	-	-	-	-	-	-	-	62	-	
											60	59	-	-	-	55	54	-	-	-	-	49	48	47	46	45	-	-	42	-				
											-	39	38	-	36	-	-	-	-	31	-	-	28	-	-	25	24	23	-	-				
											-	-	-	-	-	15	-	13	-	11	-	-	-	-	-	-	4	-	-	-	-			
MX123 CONN ASSY 80 CKT GRY OPT0 KEY H/35	345661163	C-HSG-H0	G-CAP-0-P	TPA-H0	RS	LS	MAL	CPA	MSEAL	RSEAL	80	79	-	77	76	75	74	73	-	-	-	-	-	-	-	-	-	-	-	-	62	-		
											-	-	-	-	-	55	54	-	-	51	-	49	48	47	46	45	-	-	42	-				
											-	39	38	-	36	-	-	33	-	31	-	-	28	-	-	25	24	23	-	-				
											-	-	-	-	-	15	14	-	-	11	10	9	-	7	-	-	4	-	-	1	-			
MX123 CONN ASSY 80 CKT GRY OPT0 KEY H/38	345661313	C-HSG-H0	G-CAP-0-P	TPA-H0	RS	LS	MAL	CPA	MSEAL	RSEAL	-	79	-	77	76	75	74	73	-	-	-	-	-	-	-	-	-	-	-	-	62	-		
											60	59	-	-	-	-	-	-	52	51	50	49	48	47	-	45	-	-	-	41	-			
											-	39	38	-	36	-	34	33	-	31	-	-	28	-	-	25	24	23	22	-	-			
											-	-	-	-	-	16	-	14	13	-	11	10	9	-	7	-	-	4	-	-	1	-		
MX123 CONN ASSY 80 CKT GRY OPT0 KEY H/28	345661353	C-HSG-H0	G-CAP-0-P	TPA-H0	RS	LS	MAL	CPA	MSEAL	RSEAL	80	-	-	-	-	-	-	-	-	-	-	-	-	-	-	-	-	-	-	-	62	-		
											-	-	-	-	-	55	54	-	52	51	-	49	48	47	46	45	-	-	42	-				
											-	-	-	-	36	-	-	33	-	31	-	-	28	-	-	25	24	23	-	-				
											-	-	-	-	-	16	15	14	-	-	-	10	9	-	7	-	-	4	-	-	1	-		
MX123 CONN ASSY 80 CKT GRY OPT9 KEY H/80	345661573	C-HSG-H9	G-CAP-9-P	TPA-H9	RS	LS	MAL	CPA	MSEAL	RSEAL	80	79	78	77	76	75	74	73	72	71	70	69	68	67	66	65	64	63	62	61	-	-		
											60	59	58	57	56	55	54	53	52	51	50	49	48	47	46	45	44	43	42	41	-	-		
											40	39	38	37	36	35	34	33	32	31	30	29	28	27	26	25	24	23	22	21	-	-		
											20	19	18	17	16	15	14	13	12	11	10	9	8	7	6	5	4	3	2	1	-	-		
MX123 CONN ASSY 80 CKT GRY OPT0 KEY H/22	345661613	C-HSG-H0	G-CAP-0-P	TPA-H0	RS	LS	MAL	CPA	MSEAL	RSEAL	80	-	-	-	-	-	-	-	-	-	-	-	-	-	-	-	-	-	-	-	62	-		
											-	-	-	-	-	55	54	-	52	51	-	49	48	47	46	45	-	-	42	-				
											-	-	-	-	36	-	-	-	-	31	-	-	28	-	-	25	-	-	-	-	-			
											-	-	-	-	-	16	15	-	-	-	-	-	-	7	-	-	4	-	-	1	-			
MX123 CONN ASSY 80 CKT BLU OPT9 KEY G/80	345661903	C-HSG-G9	G-CAP-9-P	TPA-G9	RS	LS	MAL	CPA	MSEAL	RSEAL	-	-	-	-	-	-	-	-	-	-	-	-	-	-	-	-	-	-	-	-	-	-		
											-	-	-	-	-	-	-	-	-	-	-	-	-	-	-	-	-	-	-	-	-	-		
											-	-	-	-	-	-	-	-	-	-	-	-	-	-	-	-	-	-	-	-	-	-		
											-	-	-	-	-	-	-	-	-	-	-	-	-	-	-	-	-	-	-	-	-	-		
MX123 CONN ASSY 80 CKT GRY OPT9 KEY H/80	345662003	C-HSG-H9	G-CAP-9-P	TPA-H9	RS	LS	MAL	CPA	MSEAL	RSEAL	-	-	-	-	-	-	-	-	-	-	-	-	-	-	-	-	-	-	-	-	-	-		
											-	-	-	-	-	-	-	-	-	-	-	-	-	-	-	-	-	-	-	-	-	-		
											-	-	-	-	-	-	-	-	-	-	-	-	-	-	-	-	-	-	-	-	-	-		
											-	-	-	-	-	-	-	-	-	-	-	-	-	-	-	-	-	-	-	-	-	-		
MX123 CONN ASSY 80 CKT GRY OPT0 KEY H/35	345662063	C-HSG-H0	G-CAP-0-P	TPA-H0	RS	LS	MAL	CPA	MSEAL	RSEAL	80	79	-	77	76	75	74	73	-	-	-	-	-	-	-	-	-	-	-	-	62	-		
											60	59	-	-	-	55	54	-	-	51	-	49	48	47	46	45	-	-	42	-				
											-	39	38	-	36	-	-	33	-	31	-	-	28	-	-	25	24	23	-	-				
											-	-	-	-	-	15	-	13	-	11	-	-	-	7	-	-	4	-	-	1	-			
MX123 CONN ASSY 80 CKT GRY OPT0 KEY H/38	345662073	C-HSG-H0	G-CAP-0-P	TPA-H0	RS	LS	MAL	CPA	MSEAL	RSEAL	80	79	-	77	76	75	74	73	-	-	-	-	-	-	-	-	-	-	-	-	62	-		
											60	59	-	-	-	55	54	-	-	51	-	49	48	47	46	45	-	-	42	-				
											-	39	38	-	36	-	-	33	-	31	-	-	28	-	-	25	24	23	-	-				
											-	-	-	-	-	15	14	13	-	11	10	9	-	7	-	-	4	-	-	1	-			
MX123 CONN ASSY 80 CKT GRY OPT0 KEY H/34	345662083	C-HSG-H0	G-CAP-0-P	TPA-H0	RS	LS	MAL	CPA	MSEAL	RSEAL	80	79	-	77	76	75	74	73	-	-	-	-	-	-	-	-	-	-	-	-	62	-		
											60	59	-	-	-	55	54	-	-	-	-	49	48	47	46	45	-	-	42	-				
											-	39	38	-	36	-	-	33	-	31	-	-	28	-	-	25	24	23	-	-				
											-	-	-	-	-	15	14	13	-	11	10	9	-	-	-	-	4	-	-	-	-			

ASSEMBLY DESCRIPTION	ASSEMBLY PART NUMBER	CONNECTOR HOUSING	GROMMET CAP	TPA	RIGHT SLIDE	LEFT SLIDE	MATE ASSIST LEVER	CPA	MAT SEAL	RING SEAL	BLOCKED TERMINALS																				STATUS	COMMENTS	INTEGRAL COMPONENTS SOLD SEPARATELY DRESS COVER
											CAVITY WITH A NUMBER INDICATES BLOCKED TERMINAL POSITION CAVITY WITHOUT A NUMBER INDICATES OPEN TERMINAL POSITION																						
											80	79	78	77	76	75	74	73	72	71	70	69	68	67	66	65	64	63	62	61			
MX123 CONN ASSY 80 CKT BLU OPT0 KEY G/34	345663023	C-HSG-G0	G-CAP-0-P	TPA-G0	RS	LS	MAL	CPA	MSEAL	RSEAL	80	-	78	77	-	75	74	73	72	-	70	69	-	67	-	65	64	63	62	-			
											60	-	58	57	-	55	54	-	52	51	50	49	-	47	-	45	-	-	-	-			
											40	-	38	37	-	-	-	33	32	31	-	-	-	27	26	25	24	-	-	-			
											20	-	18	17	-	-	-	-	-	-	10	9	8	-	6	5	-	3	2	1			
MX123 CONN ASSY 80 CKT GRY OPT0 KEY H/47	345663033	C-HSG-H0	G-CAP-0-P	TPA-H0	RS	LS	MAL	CPA	MSEAL	RSEAL	-	79	-	-	-	-	74	73	72	71	-	69	68	67	-	-	64	-	62	61			
											-	59	-	-	-	-	54	53	52	-	-	49	48	47	-	-	-	-	42	41			
											-	-	38	-	-	-	-	33	-	-	-	29	-	27	-	25	-	-	-	21			
											-	-	-	-	-	15	14	-	-	11	10	9	8	7	-	-	-	-	-	-			
MX123 CONN ASSY 80 CKT GRY OPT9 KEY H/5	345663463	C-HSG-H9	G-CAP-9-P	TPA-H9	RS	LS	MAL	CPA	MSEAL	RSEAL	80	79	78	77	76	75	74	73	72	71	70	69	68	67	66	65	64	63	62	-			
											60	59	58	57	56	55	54	53	52	51	50	49	48	47	46	45	44	43	42	41			
											40	39	38	37	36	35	34	33	32	31	30	29	28	27	26	25	24	23	22	21			
											-	19	18	17	16	15	14	13	12	11	10	-	8	7	6	-	4	3	2	-			
MX123 CONN ASSY 80 CKT GRY OPT9 KEY H/7	345663683	C-HSG-H9	G-CAP-9-P	TPA-H9	RS	LS	MAL	CPA	MSEAL	RSEAL	80	79	78	77	76	75	74	73	72	71	70	69	68	67	66	65	64	63	62	-			
											60	59	58	57	56	55	54	53	52	51	50	49	48	47	46	45	44	43	42	41			
											40	39	38	37	36	35	34	33	-	31	30	29	28	27	26	25	24	23	22	21			
											-	19	18	17	16	-	14	13	12	11	10	-	8	7	6	-	4	3	2	-			
MX123 CONN ASSY 80 CKT GRY OPT0 KEY H/32	345664383	C-HSG-H0	G-CAP-0-P	TPA-H0	RS	LS	MAL	CPA	MSEAL	RSEAL	80	-	78	77	76	75	-	-	-	-	70	-	-	-	66	65	-	63	-	-			
											60	-	58	57	56	55	-	53	-	51	50	-	-	-	46	45	44	43	-	-			
											40	39	-	37	36	35	34	-	32	31	30	-	28	-	26	-	24	23	22	21			
											20	19	-	17	16	-	-	13	12	-	-	-	-	-	6	5	4	3	2	1			
MX123 CONN ASSY 80 CKT BLU OPT0 KEY G/44	345664393	C-HSG-G0	G-CAP-0-P	TPA-G0	RS	LS	MAL	CPA	MSEAL	RSEAL	80	79	-	-	76	-	-	73	-	71	-	-	68	-	66	-	-	-	-	61			
											-	59	-	-	56	-	-	53	-	-	-	-	48	-	46	-	44	43	42	41			
											-	39	-	-	36	35	34	-	-	-	30	29	28	-	-	-	-	23	22	21			
											-	19	-	-	16	15	14	13	12	11	-	-	-	7	-	-	4	-	-	-			
MX123 CONN ASSY 80 CKT GRY OPT0 KEY H/25	345664503	C-HSG-H0	G-CAP-0-P	TPA-H0	RS	LS	MAL	CPA	MSEAL	RSEAL	80	-	-	-	-	-	-	-	-	-	-	-	-	67	-	-	-	-	62	-			
											-	-	-	-	-	55	54	-	52	51	-	49	48	47	46	45	-	-	42	-			
											-	-	-	-	36	-	-	-	-	31	-	-	28	-	-	25	-	-	-	-			
											-	-	-	-	16	15	14	-	-	-	10	9	-	7	-	-	4	-	-	1			
MX123 CONN ASSY 80 CKT BLU OPT0 KEY G/42	345664523	C-HSG-G0	G-CAP-0-P	TPA-G0	RS	LS	MAL	CPA	MSEAL	RSEAL	80	79	-	-	76	-	-	73	-	71	-	-	68	-	66	-	-	-	-	61			
											-	59	-	-	56	-	-	53	-	-	-	-	48	-	46	-	44	43	42	41			
											-	39	-	-	36	35	34	33	32	-	30	29	28	-	-	-	-	23	22	21			
											-	19	-	-	16	15	14	13	12	11	-	-	-	7	-	-	4	-	-	-			
MX123 CONN ASSY 80 CKT GRY OPT0 KEY H/28	345664603	C-HSG-H0	G-CAP-0-P	TPA-H0	RS	LS	MAL	CPA	MSEAL	RSEAL	80	-	-	-	-	-	-	-	-	-	-	-	-	67	-	-	-	-	62	-			
											-	-	-	-	-	55	54	-	52	51	-	49	48	47	46	45	-	-	42	-			
											-	-	-	-	36	-	-	-	-	31	-	-	28	-	-	25	24	23	-	-			
											-	-	-	-	16	15	14	-	-	11	10	9	-	7	-	-	4	-	-	1			
MX123 CONN ASSY 80 CKT GRY OPT0 KEY H/22	345665003	C-HSG-H0	G-CAP-0-P	TPA-H0	RS	LS	MAL	CPA	MSEAL	RSEAL	80	-	-	-	-	-	-	-	-	-	-	-	-	67	-	-	-	-	62	-			
											-	-	-	-	-	55	54	-	-	51	-	49	48	47	46	45	-	-	42	-			
											-	-	-	-	36	-	-	-	-	31	-	-	28	-	-	25	24	23	-	-			
											-	-	-	-	-	15	-	-	-	-	-	-	-	7	-	-	4	-	-	1			
MX123 CONN ASSY 80 CKT GRY OPT9 KEY H/71	345665063	C-HSG-H9	G-CAP-9-P	TPA-H9	RS	LS	MAL	CPA	MSEAL	RSEAL	-	-	-	-	-	-	-	-	-	-	-	-	-	-	-	-	-	-	-	-			
											-	-	-	-	-	-	-	-	-	-	-	-	-	-	-	-	-	-	-	-			
											-	-	-	-	36	-	-	-	-	31	-	-	28	-	-	25	-	-	-	-			
											-	-	-	-	16	15	-	-	-	-	-	-	-	7	-	-	4	-	-	1			
MX123 CONN ASSY 80 CKT BLU OPT0 KEY G/47	345665323	C-HSG-G0	G-CAP-0-P	TPA-G0	RS	LS	MAL	CPA	MSEAL	RSEAL	-	79	-	-	76	-	-	-	-	71	-	-	68	-	66	-	-	-	-	61			
											-	59	-	-	56	-	-	53	-	-	-	-	48	-	46	-	44	43	42	41			
											-	39	-	-	36	35	34	-	-	-	30	29	28	-	-	-	-	23	22	21			
											-	19	-	-	16	15	14	13	12	11	-	-	-	7	-	-	-	-	-	-			

ASSEMBLY DESCRIPTION	ASSEMBLY PART NUMBER	CONNECTOR HOUSING	GROMMET CAP	TPA	RIGHT SLIDE	LEFT SLIDE	MATE ASSIST LEVER	CPA	MAT SEAL	RING SEAL	BLOCKED TERMINALS																STATUS	COMMENTS	INTEGRAL COMPONENTS SOLD SEPARATELY DRESS COVER				
											CAVITY WITH A NUMBER INDICATES BLOCKED TERMINAL POSITION CAVITY WITHOUT A NUMBER INDICATES OPEN TERMINAL POSITION																						
											80	78	77	76	75	53	51	50	49	48	47	46	45	44	43	23				22	21		
MX123 CONN ASSY 80 CKT GRY OPT0 KEY H/32	345665843	C-HSG-H0	G-CAP-0-P	TPA-H0	RS	LS	MAL	CPA	MSEAL	RSEAL	80	-	78	77	76	75	-	-	-	-	70	69	-	-	66	-	-	-	-	-	SALEABLE		345650003
											60	-	58	-	56	55	-	53	-	51	50	49	48	47	46	45	44	43	-	-			
											40	39	-	37	36	35	-	-	32	31	30	-	28	-	26	-	24	23	22	21			
											20	19	-	17	16	-	-	13	12	-	-	-	-	-	6	5	4	3	2	1			
MX123 CONN ASSY 80 CKT GRY OPT0 KEY H/32	345665853	C-HSG-H0	G-CAP-0-P	TPA-H0	RS	LS	MAL	CPA	MSEAL	RSEAL	80	-	78	77	76	75	-	-	-	-	70	69	-	-	66	-	-	-	-	-	SALEABLE		345650003
											60	-	58	-	56	55	-	53	-	51	50	49	48	47	46	45	44	-	-				
											40	39	-	37	36	35	34	-	32	31	30	-	28	-	26	-	24	23	22	21			
											20	19	-	17	16	-	-	13	12	-	-	-	-	-	6	5	4	3	2	1			
MX123 CONN ASSY 80 CKT GRY OPT0 KEY H/26	345666603	C-HSG-H0	G-CAP-0-P	TPA-H0	RS	LS	MAL	CPA	MSEAL	RSEAL	80	-	-	-	-	-	-	-	-	-	-	-	-	67	-	-	-	-	62	-	SALEABLE		345650003
											-	-	-	-	-	55	54	-	-	51	-	49	48	47	46	45	-	-	42	-			
											-	-	-	-	36	-	-	-	-	31	-	-	28	-	-	25	24	23	-	-			
											-	-	-	-	-	15	14	-	-	11	10	9	-	7	-	-	4	-	-	1			
MX123 CONN ASSY 80 CKT GRY OPT0 KEY H/24	345666703	C-HSG-H0	G-CAP-0-P	TPA-H0	RS	LS	MAL	CPA	MSEAL	RSEAL	80	-	-	-	-	-	-	-	-	-	-	-	-	67	-	-	-	-	62	-	SALEABLE		345650003
											-	-	-	-	-	55	54	-	52	51	-	49	48	47	46	45	-	-	42	-			
											-	-	-	-	36	-	-	-	-	31	-	-	28	-	-	25	24	23	-	-			
											-	-	-	-	16	15	-	-	-	-	-	-	-	7	-	-	4	-	-	1			
MX123 CONN ASSY 80 CKT GRY OPT0 KEY H/29	345666723	C-HSG-H0	G-CAP-0-P	TPA-H0	RS	LS	MAL	CPA	MSEAL	RSEAL	80	-	78	77	76	75	-	-	72	71	70	69	68	-	66	-	-	-	-	-	SALEABLE		345650003
											60	-	58	57	56	55	54	-	-	51	50	49	48	47	46	45	-	-	-	-			
											40	39	-	37	36	35	34	-	32	31	30	29	28	-	26	-	24	23	22	21			
											20	19	-	17	16	-	-	-	-	11	-	-	-	-	6	5	4	3	2	1			
MX123 CONN ASSY 80 CKT BLU OPT0 KEY G/40	345666733	C-HSG-G0	G-CAP-0-P	TPA-G0	RS	LS	MAL	CPA	MSEAL	RSEAL	80	79	-	-	76	-	-	73	-	71	-	69	68	67	66	65	-	-	62	61	SALEABLE		345650003
											-	59	-	-	56	-	-	53	-	-	-	-	48	-	46	-	44	43	42	41			
											-	-	-	-	36	35	34	-	-	-	30	29	28	-	-	25	24	23	22	21			
											-	-	-	-	16	15	14	13	12	11	-	-	-	7	-	5	-	-	-	-			
MX123 CONN ASSY 80 CKT BLU OPT0 KEY G/30	345666993	C-HSG-G0	G-CAP-0-P	TPA-G0	RS	LS	MAL	CPA	MSEAL	RSEAL	80	79	-	-	75	74	73	72	71	70	69	68	-	-	-	64	63	62	61	SALEABLE		345650003	
											60	59	58	57	56	55	54	53	52	51	50	49	48	47	46	45	44	43	42	41			
											-	-	-	-	-	-	-	-	31	30	-	-	27	26	-	24	23	22	-	-			
											-	-	-	-	-	-	-	-	11	10	9	8	7	6	5	4	-	2	-	-			
MX123 CONN ASSY 80 CKT BLU OPT9 KEY G/39	345667113	C-HSG-G9	G-CAP-9-P	TPA-G9	RS	LS	MAL	CPA	MSEAL	RSEAL	-	-	-	77	-	75	74	73	72	-	70	69	68	-	66	65	64	63	62	61	SALEABLE		345650003
											-	-	-	-	56	55	-	53	52	-	-	-	-	-	46	45	-	43	42	-			
											-	-	38	-	36	35	34	-	-	31	-	-	-	-	26	-	-	23	22	21			
											-	-	-	17	16	15	14	13	-	-	10	-	-	7	6	-	4	-	-	1			
MX123 CONN ASSY 80 CKT BLU OPT9 KEY G/37	345667123	C-HSG-G9	G-CAP-9-P	TPA-G9	RS	LS	MAL	CPA	MSEAL	RSEAL	-	-	-	77	76	75	74	73	72	-	70	69	68	-	66	65	64	63	62	61	SALEABLE		345650003
											-	-	-	-	56	55	-	53	52	-	-	-	-	-	46	45	-	43	42	-			
											-	-	38	37	36	35	34	-	-	31	-	-	-	-	26	-	-	23	22	21			
											-	-	-	17	16	15	14	13	-	-	10	-	-	7	6	-	4	-	-	1			
MX123 CONN ASSY 80 CKT BLU OPT9 KEY G/33	345667323	C-HSG-G9	G-CAP-9-P	TPA-G9	RS	LS	MAL	CPA	MSEAL	RSEAL	80	79	78	77	76	75	74	-	72	71	70	69	-	-	66	65	-	-	62	61	SALEABLE		345650003
											60	-	-	57	56	-	-	53	52	51	50	49	48	47	-	-	-	-	42	41			
											40	-	-	37	36	-	34	33	-	31	-	-	-	-	26	25	24	-	-	21			
											20	-	18	-	16	-	14	-	-	11	-	-	8	7	-	5	-	3	2	-			
MX123 CONN ASSY 80 CKT BLU OPT0 KEY G/48	345667533	C-HSG-G0	G-CAP-0-P	TPA-G0	RS	LS	MAL	CPA	MSEAL	RSEAL	-	-	-	77	76	75	74	73	72	-	-	69	68	-	66	65	64	63	62	61	SALEABLE		345650003
											-	-	-	-	56	55	-	53	52	-	-	-	-	-	46	-	-	43	-	-			
											-	-	38	-	-	35	-	-	-	31	-	-	-	-	26	-	-	-	-	-			
											-	-	-	17	16	15	14	-	-	-	10	-	-	7	6	-	4	-	-	-			
MX123 CONN ASSY 80 CKT GRY OPT9 KEY H/47	345667613	C-HSG-H9	G-CAP-9-P	TPA-H9	RS	LS	MAL	CPA	MSEAL	RSEAL	-	-	-	77	76	-	74	73	72	-	-	69	68	-	66	65	64	63	62	61	SALEABLE		345650003
											-	-	58	-	56	55	-	53	52	-	-	-	-	-	46	-	-	43	-	-			
											-	-	38	-	-	35	-	-	-	31	-	-	-	-	26	-	-	-	-	-			
											-	19	-	17	16	15	14	-	-	-	10	-	-	7	6	-	4	-	-	-			

ASSEMBLY DESCRIPTION	ASSEMBLY PART NUMBER	CONNECTOR HOUSING	GROMMET CAP	TPA	RIGHT SLIDE	LEFT SLIDE	MATE ASSIST LEVER	CPA	MAT SEAL	RING SEAL	BLOCKED TERMINALS																				STATUS	COMMENTS	INTEGRAL COMPONENTS SOLD SEPARATELY DRESS COVER
											CAVITY WITH A NUMBER INDICATES BLOCKED TERMINAL POSITION CAVITY WITHOUT A NUMBER INDICATES OPEN TERMINAL POSITION																						
											1	2	3	4	5	6	7	8	9	10	11	12	13	14	15	16	17	18	19	20			
MX123 CONN ASSY 80 CKT BLU OPT9 KEY G/49	345667623	C-HSG-G9	G-CAP-9-P	TPA-G9	RS	LS	MAL	CPA	MSEAL	RSEAL	-	-	-	77	76	-	74	73	72	-	-	69	68	-	66	65	64	63	62	61	SALEABLE		345650003
											-	-	-	-	56	55	-	53	52	-	-	-	-	-	46	-	-	43	-	-			
											-	-	38	-	-	35	-	-	-	31	-	-	-	-	26	-	-	-	-	-			
											-	-	-	17	16	15	14	-	-	-	10	-	-	7	6	-	4	-	-	-			
MX123 CONN ASSY 80 CKT BLU OPT9 KEY G/50	345667913	C-HSG-G9	G-CAP-9-P	TPA-G9	RS	LS	MAL	CPA	MSEAL	RSEAL	-	-	-	77	76	-	74	73	72	-	-	69	68	-	66	65	64	63	62	-	SALEABLE		345650003
											-	-	-	-	56	55	-	53	52	-	-	-	-	-	46	-	-	43	-	-			
											-	-	38	-	-	35	-	-	-	31	-	-	-	-	26	-	-	-	-	-			
											-	-	-	17	16	15	14	-	-	-	10	-	-	7	6	-	4	-	-	-			
MX123 CONN ASSY 80 CKT GRY OPT0 KEY H/33	345668103	C-HSG-H0	G-CAP-0-P	TPA-H0	RS	LS	MAL	CPA	MSEAL	RSEAL	80	79	-	77	76	75	74	73	-	-	-	-	67	-	-	-	-	62	-	SALEABLE		345650003	
											-	-	-	-	-	55	54	-	-	51	-	49	48	47	46	45	-	-	42				-
											-	39	38	-	36	-	-	-	-	31	-	-	28	-	-	25	-	23	-				-
											-	-	-	-	-	15	14	-	-	11	10	9	-	7	-	-	4	-	-				1
MX123 CONN ASSY 80 CKT BLU OPT0 KEY G/32	345668123	C-HSG-G0	G-CAP-0-P	TPA-G0	RS	LS	MAL	CPA	MSEAL	RSEAL	-	-	78	77	76	75	74	-	-	71	-	-	-	-	-	-	63	-	-	SALEABLE		345650003	
											60	-	58	57	56	55	54	-	-	51	50	49	48	47	-	45	-	43	-				-
											40	39	38	37	-	-	-	33	32	31	30	29	28	27	26	-	-	-	-				-
											20	-	18	17	-	-	-	13	12	11	10	9	8	7	6	5	4	3	2				1
MX123 CONN ASSY 80 CKT BLU OPT0 KEY G/49	345668133	C-HSG-G0	G-CAP-0-P	TPA-G0	RS	LS	MAL	CPA	MSEAL	RSEAL	-	-	-	-	76	-	74	73	-	-	-	-	67	-	65	64	63	62	61	SALEABLE		345650003	
											-	-	-	-	-	-	54	-	52	-	-	-	-	-	-	-	43	42	41				
											-	-	38	-	-	-	-	33	-	-	-	-	-	27	-	25	-	-	-				-
											20	-	-	-	16	15	14	13	12	-	10	9	8	7	6	5	-	-	2				-
MX123 CONN ASSY 80 CKT BLU OPT0 KEY G/78	345668143	C-HSG-G0	G-CAP-0-P	TPA-G0	RS	LS	MAL	CPA	MSEAL	RSEAL	-	-	-	-	-	-	-	-	71	-	-	-	-	-	-	-	-	-	SALEABLE		345650003		
											-	-	-	-	-	-	-	-	-	-	-	49	-	-	-	-	-	-				-	
											-	-	-	-	-	-	-	-	-	-	-	-	-	-	-	-	-	-				-	-
											-	-	-	-	-	-	-	-	-	-	-	-	-	-	-	-	-	-				-	-
MX123 CONN ASSY 80 CKT GRY OPT9 KEY H/2	345668183	C-HSG-H9	G-CAP-9-P	TPA-H9	RS	LS	MAL	CPA	MSEAL	RSEAL	80	79	78	77	76	75	74	73	72	-	70	69	68	67	66	65	64	63	62	61	SALEABLE		345650003
											60	59	58	57	56	55	54	53	52	51	50	-	48	47	46	45	44	43	42	41			
											40	39	38	37	36	35	34	33	32	31	30	29	28	27	26	25	24	23	22	21			
											20	19	18	17	16	15	14	13	12	11	10	9	8	7	6	5	4	3	2	1			
MX123 CONN ASSY 80 CKT BLU OPT0 KEY G/45	345668193	C-HSG-G0	G-CAP-0-P	TPA-G0	RS	LS	MAL	CPA	MSEAL	RSEAL	80	-	-	-	-	-	-	73	72	-	70	69	68	-	66	-	64	-	62	61	SALEABLE		345650003
											-	-	-	-	-	-	-	53	-	51	50	49	48	-	46	-	44	-	42	41			
											-	39	-	-	36	35	34	-	-	-	-	-	28	-	-	25	24	23	22	21			
											-	19	-	-	16	15	14	13	12	-	-	-	-	-	-	-	-	-	-	-			
MX123 CONN ASSY 80 CKT GRY OPT0 KEY H/30	345668213	C-HSG-H0	G-CAP-0-P	TPA-H0	RS	LS	MAL	CPA	MSEAL	RSEAL	80	79	78	77	76	75	-	-	72	71	70	69	68	-	66	-	-	-	-	-	SALEABLE		345650003
											60	59	58	57	56	55	54	-	-	51	50	49	48	47	46	45	-	-	-	-			
											40	39	-	37	36	35	34	-	32	31	30	29	28	-	26	-	24	23	22	21			
											-	19	18	17	-	-	-	-	-	11	-	-	-	7	-	-	4	3	-	1			
MX123 CONN ASSY 80 CKT BLU OPT9 KEY G/45	345668233	C-HSG-G9	G-CAP-9-P	TPA-G9	RS	LS	MAL	CPA	MSEAL	RSEAL	80	79	78	-	-	-	-	-	71	-	-	-	67	-	-	-	-	-	-	SALEABLE		345650003	
											60	59	58	57	-	-	54	-	-	51	50	49	48	47	-	-	44	-	-				41
											40	39	-	-	-	-	-	33	32	-	30	29	28	27	-	25	24	-	-				-
											-	-	18	-	-	-	-	-	12	11	-	9	8	-	-	5	-	3	2				-
MX123 CONN ASSY 80 CKT BLU OPT9 KEY G/43	345668243	C-HSG-G9	G-CAP-9-P	TPA-G9	RS	LS	MAL	CPA	MSEAL	RSEAL	80	79	78	-	76	-	-	-	-	71	-	-	-	67	-	-	-	-	-	SALEABLE		345650003	
											60	59	58	57	-	-	54	-	-	51	50	49	48	47	-	-	44	-	-				41
											40	39	-	37	-	-	-	33	32	-	30	29	28	27	-	25	24	-	-				-
											-	-	18	-	-	-	-	-	12	11	-	9	8	-	-	5	-	3	2				-
MX123 CONN ASSY 80 CKT BLU OPT9 KEY G/43	345668253	C-HSG-G9	G-CAP-9-P	TPA-G9	RS	LS	MAL	CPA	MSEAL	RSEAL	80	79	78	-	-	-	-	-	71	-	-	-	67	-	-	-	-	-	SALEABLE		345650003		
											60	59	58	57	-	-	54	-	-	51	50	49	48	47	-	-	44	-				-	41
											40	39	-	-	-	-	-	33	32	-	30	29	28	27	-	25	24	-				-	-
											20	19	18	-	-	-	-	-	12	11	-	9	8	-	-	5	-	3				2	-

ASSEMBLY DESCRIPTION	ASSEMBLY PART NUMBER	CONNECTOR HOUSING	GROMMET CAP	TPA	RIGHT SLIDE	LEFT SLIDE	MATE ASSIST LEVER	CPA	MAT SEAL	RING SEAL	BLOCKED TERMINALS																		STATUS	COMMENTS	INTEGRAL COMPONENTS SOLD SEPARATELY DRESS COVER
											CAVITY WITH A NUMBER INDICATES BLOCKED TERMINAL POSITION CAVITY WITHOUT A NUMBER INDICATES OPEN TERMINAL POSITION																				
											80	79	78	-	76	-	-	-	-	-	71	-	-	-	67	-	-	-			
MX123 CONN ASSY 80 CKT BLU OPT9 KEY G/41	345668263	C-HSG-G9	G-CAP-9-P	TPA-G9	RS	LS	MAL	CPA	MSEAL	RSEAL	60	59	58	57	-	-	54	-	-	51	50	49	48	47	-	-	44	-	-	41	
											40	39	-	37	-	-	-	33	32	-	30	29	28	27	-	25	24	-	-	-	
											20	19	18	-	-	-	-	-	12	11	-	9	8	-	-	5	-	3	2	-	
											-	-	-	77	76	75	74	73	72	-	70	69	68	-	66	65	64	63	62	61	
MX123 CONN ASSY 80 CKT BLU OPT9 KEY G/35	345668273	C-HSG-G9	G-CAP-9-P	TPA-G9	RS	LS	MAL	CPA	MSEAL	RSEAL	-	-	-	-	56	55	-	53	52	-	-	-	-	-	46	45	-	43	42	-	
											-	-	38	37	36	35	34	-	-	31	-	-	-	-	26	-	-	23	22	21	
											20	19	-	17	16	15	14	13	-	-	10	-	-	7	6	-	4	-	-	1	
											-	-	-	77	-	75	74	73	72	-	70	69	68	-	66	65	64	63	62	61	
MX123 CONN ASSY 80 CKT BLU OPT9 KEY G/37	345668283	C-HSG-G9	G-CAP-9-P	TPA-G9	RS	LS	MAL	CPA	MSEAL	RSEAL	-	-	-	-	56	55	-	53	52	-	-	-	-	-	46	45	-	43	42	-	
											-	-	38	-	36	35	34	-	-	31	-	-	-	-	26	-	-	23	22	21	
											20	19	-	17	16	15	14	13	-	-	10	-	-	7	6	-	4	-	-	1	
											-	-	-	77	-	75	74	73	72	-	70	69	68	-	66	65	64	63	62	61	
MX123 CONN ASSY 80 CKT GRY OPT0 KEY H/13	345668433	C-HSG-H0	G-CAP-0-P	TPA-H0	RS	LS	MAL	CPA	MSEAL	RSEAL	80	-	-	-	-	-	-	-	72	71	70	-	68	67	66	65	64	63	62	-	
											60	59	58	57	56	55	54	53	52	51	50	49	48	47	46	45	44	43	42	41	
											40	39	38	37	36	35	34	33	32	31	30	29	28	27	26	25	24	23	22	21	
											-	19	18	17	16	15	14	13	12	11	10	-	8	7	6	-	4	3	2	-	
MX123 CONN ASSY 80 CKT GRY OPT0 KEY H/31	345668903	C-HSG-H0	G-CAP-0-P	TPA-H0	RS	LS	MAL	CPA	MSEAL	RSEAL	80	79	-	77	76	75	74	73	72	-	-	-	-	-	-	-	-	62	-		
											60	59	-	-	-	55	54	-	-	-	-	49	48	47	46	45	-	-	42	-	
											-	39	38	-	36	-	-	-	-	31	-	-	28	-	-	25	24	23	-	-	
											-	-	-	-	-	15	-	13	-	11	-	-	-	-	-	-	4	-	-	-	
MX123 CONN ASSY 80 CKT BLU OPT0 KEY G/42	345669123	C-HSG-G0	G-CAP-0-P	TPA-G0	RS	LS	MAL	CPA	MSEAL	RSEAL	80	79	-	-	-	-	-	73	-	71	-	69	68	67	66	65	-	-	62	61	
											-	59	-	-	-	-	-	53	-	-	-	-	48	-	46	-	44	43	42	41	
											-	-	-	-	36	35	34	-	-	-	30	29	28	-	-	25	24	23	22	21	
											-	-	-	-	16	15	14	13	12	11	-	-	-	7	-	5	-	-	-	-	
MX123 CONN ASSY 80 CKT BLU OPT9 KEY G/36	345669283	C-HSG-G9	G-CAP-9-P	TPA-G9	RS	LS	MAL	CPA	MSEAL	RSEAL	-	-	-	77	76	75	74	73	72	-	70	69	68	-	66	65	64	63	62	61	
											-	-	-	-	56	55	-	53	52	-	-	-	-	46	45	-	43	42	-		
											-	-	38	-	36	35	34	-	-	31	-	-	-	-	26	-	-	23	22	21	
											20	19	-	17	16	15	14	13	-	-	10	-	-	7	6	-	4	-	-	1	
MX123 CONN ASSY 80 CKT BLU OPT9 KEY G/38	345669293	C-HSG-G9	G-CAP-9-P	TPA-G9	RS	LS	MAL	CPA	MSEAL	RSEAL	-	-	-	77	76	75	74	73	72	-	70	69	68	-	66	65	64	63	62	61	
											-	-	-	-	56	55	-	53	52	-	-	-	-	46	45	-	43	42	-		
											-	-	38	-	36	35	34	-	-	31	-	-	-	-	26	-	-	23	22	21	
											-	-	-	17	16	15	14	13	-	-	10	-	-	7	6	-	4	-	-	1	
MX123 CONN ASSY 80 CKT BLU OPT9 KEY G/10	345669373	C-HSG-G9	G-CAP-9-P	TPA-G9	RS	LS	MAL	CPA	MSEAL	RSEAL	-	79	78	77	76	75	74	73	72	-	70	69	68	67	-	65	-	63	62	61	
											60	-	58	-	56	55	54	53	52	51	50	-	48	47	46	45	44	43	42	41	
											40	-	38	37	36	35	34	33	32	31	-	29	28	27	26	25	24	23	22	21	
											-	19	18	17	16	15	14	13	12	11	10	9	8	7	6	5	4	3	2	1	
MX123 CONN ASSY 80 CKT GRY OPT9 KEY H/0	345669413	C-HSG-H9	G-CAP-9-P	TPA-H9	RS	LS	MAL	CPA	MSEAL	RSEAL	80	79	78	77	76	75	74	73	72	71	70	69	68	67	66	65	64	63	62	61	
											60	59	58	57	56	55	54	53	52	51	50	49	48	47	46	45	44	43	42	41	
											40	39	38	37	36	35	34	33	32	31	30	29	28	27	26	25	24	23	22	21	
											20	19	18	17	16	15	14	13	12	11	10	9	8	7	6	5	4	3	2	1	
MX123 CONN ASSY 80 CKT BLU OPT0 KEY G/34	345669463	C-HSG-G0	G-CAP-0-P	TPA-G0	RS	LS	MAL	CPA	MSEAL	RSEAL	-	-	-	77	76	-	74	73	72	71	70	69	68	67	-	-	-	63	62	61	
											60	-	58	57	56	55	54	53	52	51	50	49	48	47	-	45	44	-	-	-	
											40	-	-	-	36	-	34	33	32	31	-	29	28	27	-	-	-	23	-	-	
											-	19	-	-	-	15	14	13	-	11	10	9	-	-	-	-	4	-	-	-	
MX123 CONN ASSY 80 CKT BLU OPT0 KEY G/36	345669473	C-HSG-G0	G-CAP-0-P	TPA-G0	RS	LS	MAL	CPA	MSEAL	RSEAL	-	-	-	77	76	-	74	73	72	71	70	69	68	67	-	-	-	63	-	61	
											60	-	58	57	56	55	54	-	52	51	50	49	48	47	-	45	44	-	-	-	
											40	-	-	-	36	-	34	33	32	31	-	29	28	27	-	-	-	23	-	-	
											-	19	-	-	-	15	14	13	-	11	10	9	-	-	-	-	4	-	-	-	

ASSEMBLY DESCRIPTION	ASSEMBLY PART NUMBER	CONNECTOR HOUSING	GROMMET CAP	TPA	RIGHT SLIDE	LEFT SLIDE	MATE ASSIST LEVER	CPA	MAT SEAL	RING SEAL	BLOCKED TERMINALS																			STATUS	COMMENTS	INTEGRAL COMPONENTS SOLD SEPARATELY DRESS COVER
											CAVITY WITH A NUMBER INDICATES BLOCKED TERMINAL POSITION CAVITY WITHOUT A NUMBER INDICATES OPEN TERMINAL POSITION																					
											-	-	-	77	76	-	74	73	72	71	70	69	68	67	-	-	-	63	62			
MX123 CONN ASSY 80 CKT BLU OPT0 KEY G/33	345669483	C-HSG-G0	G-CAP-0-P	TPA-G0	RS	LS	MAL	CPA	MSEAL	RSEAL	-	-	-	77	76	-	74	73	72	71	70	69	68	67	-	-	-	63	62	61		
											60	59	58	57	56	55	54	53	52	51	50	49	48	47	-	45	44	-	-	-		
											40	-	-	-	36	-	34	33	32	31	-	29	28	27	-	-	-	23	-	-		
											-	19	-	-	-	15	14	13	-	11	10	9	-	-	-	-	4	-	-	-		
MX123 CONN ASSY 80 CKT BLU OPT0 KEY G/33	345669493	C-HSG-G0	G-CAP-0-P	TPA-G0	RS	LS	MAL	CPA	MSEAL	RSEAL	-	-	-	77	76	-	74	73	72	71	70	69	68	67	-	-	64	63	62	61		
											60	-	58	57	56	55	54	53	52	51	50	49	48	47	-	45	44	-	-	-		
											40	-	-	-	36	-	34	33	32	31	-	29	28	27	-	-	-	23	-	-		
											-	19	-	-	-	15	14	13	-	11	10	9	-	-	-	-	4	-	-	-		
MX123 CONN ASSY 80 CKT BLU OPT0 KEY G/59	345669513	C-HSG-G0	G-CAP-0-P	TPA-G0	RS	LS	MAL	CPA	MSEAL	RSEAL	-	-	-	-	-	-	-	-	-	-	-	-	-	-	-	-	-	-	-			
											-	-	-	-	-	-	-	-	-	-	-	-	-	47	-	45	44	-	-	-		
											40	-	-	-	36	-	34	33	32	31	-	29	28	27	-	-	-	23	-	-		
											-	19	-	-	-	15	14	13	-	11	10	9	-	-	-	-	4	-	-	-		
MX123 CONN ASSY 80 CKT BLU OPT0 KEY G/37	345669523	C-HSG-G0	G-CAP-0-P	TPA-G0	RS	LS	MAL	CPA	MSEAL	RSEAL	-	-	-	77	76	-	74	73	72	71	70	69	68	67	-	-	-	63	-	61		
											60	-	58	-	56	55	54	-	52	51	50	49	48	47	-	45	44	-	-	-		
											40	-	-	-	36	-	34	-	32	31	-	29	28	27	-	-	-	23	-	-		
											-	19	-	-	-	15	14	13	12	11	10	9	-	-	-	-	4	-	-	-		
MX123 CONN ASSY 80 CKT BLU OPT9 KEY G/8	345669653	C-HSG-G9	G-CAP-9-P	TPA-G9	RS	LS	MAL	CPA	MSEAL	RSEAL	-	79	78	77	76	75	74	73	72	71	70	69	68	67	-	-	64	63	62	61		
											60	-	58	-	56	55	54	53	52	51	50	49	48	47	46	45	44	43	42	41		
											40	-	38	37	36	35	34	33	32	31	-	29	28	27	26	25	24	23	22	21		
											-	19	18	17	16	15	14	13	12	11	10	9	8	7	6	5	4	3	2	1		
MX123 CONN ASSY 80 CKT BLU OPT0 KEY G/35	345669763	C-HSG-G0	G-CAP-0-P	TPA-G0	RS	LS	MAL	CPA	MSEAL	RSEAL	80	79	-	-	-	75	74	73	72	71	70	69	68	-	-	-	64	63	62	61		
											60	59	58	57	56	-	54	53	52	51	50	49	48	-	46	-	44	43	42	41		
											-	-	-	-	-	-	-	-	-	31	30	-	-	27	-	-	24	23	-	-		
											-	-	-	-	-	-	-	-	-	11	10	9	8	7	6	5	4	-	2	-		

MX123 52/66/73/80-WAY RECEPTACLE ASSY SEALED PIN OUT SHEET

UNCHECKED cavity number(s) are OPEN																																			
72	71	70	69	68	67	66	65	64	63	62	61	60	59	58	57	56	55	54	53																
<input checked="" type="checkbox"/>	<input checked="" type="checkbox"/>	<input checked="" type="checkbox"/>	<input type="checkbox"/>	<input type="checkbox"/>	<input type="checkbox"/>	<input checked="" type="checkbox"/>	<input type="checkbox"/>	<input type="checkbox"/>	<input checked="" type="checkbox"/>	<input checked="" type="checkbox"/>	<input checked="" type="checkbox"/>	<input checked="" type="checkbox"/>	<input checked="" type="checkbox"/>	<input type="checkbox"/>	<input checked="" type="checkbox"/>	<input checked="" type="checkbox"/>	<input checked="" type="checkbox"/>	<input checked="" type="checkbox"/>	<input checked="" type="checkbox"/>	<input checked="" type="checkbox"/>	<input checked="" type="checkbox"/>	<input checked="" type="checkbox"/>													
52	51	50	49	48	47	46	45	44	43	42	41	40	39	38	37	36	35	34	33																
<input checked="" type="checkbox"/>	<input checked="" type="checkbox"/>	<input checked="" type="checkbox"/>	<input checked="" type="checkbox"/>	<input checked="" type="checkbox"/>	<input checked="" type="checkbox"/>	<input checked="" type="checkbox"/>	<input type="checkbox"/>	<input type="checkbox"/>	<input checked="" type="checkbox"/>	<input checked="" type="checkbox"/>	<input checked="" type="checkbox"/>	<input checked="" type="checkbox"/>	<input checked="" type="checkbox"/>	<input checked="" type="checkbox"/>	<input checked="" type="checkbox"/>	<input checked="" type="checkbox"/>	<input checked="" type="checkbox"/>	<input checked="" type="checkbox"/>	<input checked="" type="checkbox"/>	<input checked="" type="checkbox"/>	<input checked="" type="checkbox"/>	<input checked="" type="checkbox"/>													
												32	31	30	29	28	27	26	25	24	23	22	21	20	19	18	17								
												<input type="checkbox"/>	<input checked="" type="checkbox"/>	<input type="checkbox"/>	<input type="checkbox"/>	<input type="checkbox"/>	<input checked="" type="checkbox"/>	<input checked="" type="checkbox"/>	<input checked="" type="checkbox"/>	<input checked="" type="checkbox"/>	<input checked="" type="checkbox"/>	<input checked="" type="checkbox"/>	<input checked="" type="checkbox"/>	<input checked="" type="checkbox"/>	<input checked="" type="checkbox"/>	<input checked="" type="checkbox"/>	<input checked="" type="checkbox"/>	<input checked="" type="checkbox"/>	<input checked="" type="checkbox"/>	<input checked="" type="checkbox"/>	<input checked="" type="checkbox"/>	<input checked="" type="checkbox"/>	<input checked="" type="checkbox"/>		
												<input checked="" type="checkbox"/>	16	15	14	13	12	11	10	9	8	7	6	5	4	3	2	1							
												<input checked="" type="checkbox"/>	<input type="checkbox"/>	<input checked="" type="checkbox"/>	<input type="checkbox"/>	<input checked="" type="checkbox"/>	<input checked="" type="checkbox"/>	<input type="checkbox"/>	<input checked="" type="checkbox"/>	<input checked="" type="checkbox"/>	<input checked="" type="checkbox"/>	<input checked="" type="checkbox"/>	<input checked="" type="checkbox"/>	<input checked="" type="checkbox"/>	<input checked="" type="checkbox"/>	<input checked="" type="checkbox"/>	<input checked="" type="checkbox"/>	<input checked="" type="checkbox"/>	<input checked="" type="checkbox"/>	<input checked="" type="checkbox"/>	<input checked="" type="checkbox"/>	<input checked="" type="checkbox"/>	<input checked="" type="checkbox"/>		

FOR ADDITIONAL INFORMATION SEE SD-34566-001

STATUS	GM PART #	HRNS CONN ASSY			TPA	GROMMET CAP																							
		MATERIAL/PART	WIRE DRESS OPTION	KEY OPTION	COLOR OPTION	NUMBERS INDICATE CAVITIES OPEN FOR CIRCUITS																							
		NUMBER		OPTION Fp	OPTION Fp	Fp																							
SALEABLE	12672860	34566-0103	0	A	BLACK																								
SALEABLE	12672862	34566-0203	0	B	ST GRY	72	71	70	69	68	67	66	65	64	63	62	61	60	59	58	57	56	55	54	53				
SALEABLE	12672864	34566-0303	0	C	BLUE	52	51	50	49	48	47	46	45	44	43	42	41	40	39	38	37	36	35	34	33				
TOOL DES. REL.	12615660	34566-0403	0	D	BROWN	73				32	31	30	29	28	27	26	25	24	23	22	21	20	19	18	17				
TOOL DES. REL.	12615661	34566-0503	0	E	GREEN	73				16	15	14	13	12	11	10	9	8	7	6	5	4	3	2	1				
SALEABLE	12672866	34566-0603	0	F	NATURAL																								
SALEABLE	12672872	34566-0703	0	G	BLUE																								
SALEABLE	12672870	34566-0803	0	H	ST GRY	80	79	78	77	76	75	74	73	72	71	70	69	68	67	66	65	64	63	62	61				
TOOL DES. REL.	12672868	34566-0903	0	J	BLACK	60	61	62	63	64	65	66	67	68	69	70	71	72	73	74	75	76	77	78	79				
TOOL DES. REL.	TBD	34566-1003	0	K	BROWN	40	39	38	37	36	35	34	33	32	31	30	29	28	27	26	25	24	23	22	21				
TOOL DES. REL.	TBD	34566-1103	0	L	GREEN	20	19	18	17	16	15	14	13	12	11	10	9	8	7	6	5	4	3	2	1				
TOOL DES. REL.	TBD	34566-1203	0	M	NATURAL																								
SALEABLE	12672861	34566-1303	9	A	BLACK																								
SALEABLE	12672863	34566-1403	9	B	ST GRY	72	71	70	69	68	67	66	65	64	63	62	61	60	59	58	57	56	55	54	53				
SALEABLE	12672865	34566-1503	9	C	BLUE	52	51	50	49	48	47	46	45	44	43	42	41	40	39	38	37	36	35	34	33				
TOOL DES. REL.	12615663	34566-1603	9	D	BROWN	73				32	31	30	29	28	27	26	25	24	23	22	21	20	19	18	17				
TOOL DES. REL.	12615664	34566-1703	9	E	GREEN	73				16	15	14	13	12	11	10	9	8	7	6	5	4	3	2	1				
SALEABLE	12672867	34566-1803	9	F	NATURAL																								
SALEABLE	12672873	34566-1903	9	G	BLUE																								
SALEABLE	12672871	34566-2003	9	H	ST GRY	80	79	78	77	76	75	74	73	72	71	70	69	68	67	66	65	64	63	62	61				
TOOL DES. REL.	12672869	34566-2103	9	J	BLACK	60	61	62	63	64	65	66	67	68	69	70	71	72	73	74	75	76	77	78	79				
TOOL DES. REL.	TBD	34566-2203	9	K	BROWN	40	39	38	37	36	35	34	33	32	31	30	29	28	27	26	25	24	23	22	21				
TOOL DES. REL.	TBD	34566-2303	9	L	GREEN	20	19	18	17	16	15	14	13	12	11	10	9	8	7	6	5	4	3	2	1				
TOOL DES. REL.	TBD	34566-2403	9	M	NATURAL																								
SALEABLE	12672856	34822-0013	0	A	BLACK	64	63	62	61	60	59	58	57	56	55	54	53	52	51	50	49	66							
						48	47	46	45	44	43	42	41	40	39	38	37	36	35	34	33								
SALEABLE	12672858	34822-0033	0	C	BLUE	65				32	31	30	29	28	27	26	25	24	23	22	21	20	19	18	17				
						65				16	15	14	13	12	11	10	9	8	7	6	5	4	3	2	1				
SALEABLE	12672857	34822-0023	9	A	BLACK	64	63	62	61	60	59	58	57	56	55	54	53	52	51	50	49	66							
						48	47	46	45	44	43	42	41	40	39	38	37	36	35	34	33								
SALEABLE	12672859	34822-0043	9	C	BLUE	65				32	31	30	29	28	27	26	25	24	23	22	21	20	19	18	17				
						65				16	15	14	13	12	11	10	9	8	7	6	5	4	3	2	1				

MX123 52/66/73/80-WAY RECEPTACLE ASSY SEALED PIN OUT SHEET

STATUS	GM PART #	HRNS CONN ASSY				TPA	GROMMET CAP																																																																		
		MATERIAL/PART	WIRE DRESS OPTION	KEY OPTION ▽ Fp	COLOR OPTION ▽ Fp	NUMBERS INDICATE CAVITIES OPEN FOR CIRCUITS																																																																			
		NUMBER				▽ Fp																																																																			
TOOL DES. REL.	12672852	160094-0001	0	A	BLACK	<table border="1"> <tr> <td rowspan="2">52</td> <td>14</td><td>13</td><td>12</td><td>11</td><td>10</td><td>9</td><td>8</td><td>7</td><td>6</td><td>5</td><td>4</td><td>3</td> <td rowspan="2">2</td> </tr> <tr> <td>26</td><td>25</td><td>24</td><td>23</td><td>22</td><td>21</td><td>20</td><td>19</td><td>18</td><td>17</td><td>16</td><td>15</td> </tr> <tr> <td rowspan="2">51</td> <td>38</td><td>37</td><td>36</td><td>35</td><td>34</td><td>33</td><td>32</td><td>31</td><td>30</td><td>29</td><td>28</td><td>27</td> <td rowspan="2">1</td> </tr> <tr> <td>50</td><td>49</td><td>48</td><td>47</td><td>46</td><td>45</td><td>44</td><td>43</td><td>42</td><td>41</td><td>40</td><td>39</td> </tr> </table>																52	14	13	12	11	10	9	8	7	6	5	4	3	2	26	25	24	23	22	21	20	19	18	17	16	15	51	38	37	36	35	34	33	32	31	30	29	28	27	1	50	49	48	47	46	45	44	43	42	41	40	39
52	14	13	12	11	10																		9	8	7	6	5	4	3	2																																											
	26	25	24	23	22																	21	20	19	18	17	16	15																																													
51	38	37	36	35	34																	33	32	31	30	29	28	27	1																																												
	50	49	48	47	46																	45	44	43	42	41	40	39																																													
TOOL DES. REL.	N/A	160094-0002	0	B	ST GRN																																																																				
TOOL DES. REL.	12672854	160094-0003	0	C	BLUE																																																																				
TOOL DES. REL.	N/A	160094-0004	0	D	BROWN																																																																				
TOOL DES. REL.	N/A	160094-0005	0	E	GREEN																																																																				
TOOL DES. REL.	N/A	160094-0006	0	F	NATURAL																																																																				
TOOL DES. REL.	12672853	160094-0013	9	A	BLACK	<table border="1"> <tr> <td rowspan="2">52</td> <td>14</td><td>13</td><td>12</td><td>11</td><td>10</td><td>9</td><td>8</td><td>7</td><td>6</td><td>5</td><td>4</td><td>3</td> <td rowspan="2">2</td> </tr> <tr> <td>26</td><td>25</td><td>24</td><td>23</td><td>22</td><td>21</td><td>20</td><td>19</td><td>18</td><td>17</td><td>16</td><td>15</td> </tr> <tr> <td rowspan="2">51</td> <td>38</td><td>37</td><td>36</td><td>35</td><td>34</td><td>33</td><td>32</td><td>31</td><td>30</td><td>29</td><td>28</td><td>27</td> <td rowspan="2">1</td> </tr> <tr> <td>50</td><td>49</td><td>48</td><td>47</td><td>46</td><td>45</td><td>44</td><td>43</td><td>42</td><td>41</td><td>40</td><td>39</td> </tr> </table>																52	14	13	12	11	10	9	8	7	6	5	4	3	2	26	25	24	23	22	21	20	19	18	17	16	15	51	38	37	36	35	34	33	32	31	30	29	28	27	1	50	49	48	47	46	45	44	43	42	41	40	39
52	14	13	12	11	10																		9	8	7	6	5	4	3	2																																											
	26	25	24	23	22																	21	20	19	18	17	16	15																																													
51	38	37	36	35	34																	33	32	31	30	29	28	27	1																																												
	50	49	48	47	46																	45	44	43	42	41	40	39																																													
TOOL DES. REL.	N/A	160094-0014	9	B	ST GRN																																																																				
TOOL DES. REL.	12672855	160094-0015	9	C	BLUE																																																																				
TOOL DES. REL.	N/A	160094-0016	9	D	BROWN																																																																				
TOOL DES. REL.	N/A	160094-0017	9	E	GREEN																																																																				
TOOL DES. REL.	N/A	160094-0018	9	F	NATURAL																																																																				
NA	NA	NA	NA	NA	NA	<table border="1"> <tr> <td colspan="16">73</td> </tr> </table>																73																																																			
73																																																																									
SALEABLE	NOT APPLICABLE	34566-2503	0	A	BLACK	72	71	70	69	68	67	66	65	64	63	62	61	60	59	58	57	56	55	54	53																																																
									50	49	48	47	46	45	44	43	42	41	40	39	38	37	36	35	34	33																																															
						73																																																																			
											32	31	30	29	28	27	26	25	24	23	22	21	20	19	18	17																																															
												14	13	12	11	10	9	8	7	6	5	4	3	2	1																																																
SALEABLE	NOT APPLICABLE	34566-2603	0	B	ST GRN				49	48	47	46	45	44	43	42	41	40	39	38	37	36	35	34	33																																																
						73																																																																			
																			7																																																						
SALEABLE	NOT APPLICABLE	34566-2703	0	B	ST GRN				49	48	47	46	45	44	43	42	41	40	39	38	37	36	35	34	33																																																
						73																																																																			
																				7																																																					
SALEABLE	TBD	34566-2803	0	H	ST GRN																																																																				
SALEABLE	NOT APPLICABLE	34566-2903	0	A	BLACK	72	71	70	69	68	67	66	65	64	63	62	61	60	59	58	57	56	55	54	53																																																
						52	51	50	49	48	47	46	45	44	43	42	41	40	39	38	37	36	35	34	33																																																
						73																																																																			
											32	31	30	29	28	27	26	25	24	23	22	21	20	19	18	17																																															
												16	15	14	13	12	11	10	9	8	7	6	5	4	3	2	1																																														
SALEABLE	NOT APPLICABLE	34566-3003	0	A	BLACK	72	71	70	69	68	67	66	65	64	63	62	61	60	59	58	57	56	55	54	53																																																
						52	51	50	49	48	47	46	45	44	43	42	41	40	39	38	37	36	35	34	33																																																
						73																																																																			
											32	31	30	29	28	27	26	25	24	23	22	21	20	19	18	17																																															
												16	15	14	13	12	11	10	9	8	7	6	5	4	3	2	1																																														
SALEABLE	NOT APPLICABLE	34566-3103	0	B	ST GRN				49	48	47	46	45	44	43	42	41	40	39	38	37	36	35	34	33																																																
						73																																																																			
																			9	8	7	6	5	4	3	2	1																																														
SALEABLE	NOT APPLICABLE	34566-3203	0	B	ST GRN				50	49	48	47	46	45	44	43	42	41	40	39	38	37	36	35	34	33																																															
						73																																																																			
																				7	6	5	4	3	2	1																																															
SALEABLE	NOT APPLICABLE	34566-3303	0	B	ST GRN				50	49	48	47	46	45	44	43	42	41	40	39	38	37	36	35	34	33																																															
						73																																																																			
																				7	6	5	4	3	2	1																																															
SALEABLE	NOT APPLICABLE	34566-3403				SEE 34566-3003																																																																			
SALEABLE	NOT APPLICABLE	34566-3503	0	A	BLACK	72	71	70	69	68	67	66	65	64	63	62	61	60	59	58	57	56	55	54	53																																																
						52	51	50	49	48	47	46	45	44	43	42	41	40	39	38	37	36	35	34	33																																																
						73																																																																			
																				24	23	22	21	20	19	18	17																																														
													14	13	12	11	10	9	8	7	6	5	4	3	2	1																																															

MX123 52/66/73/80-WAY RECEPTACLE ASSY SEALED PIN OUT SHEET

STATUS	GM PART #	HRNS CONN ASSY			TPA	GROMMET CAP																				
		MATERIAL/PART	WIRE DRESS OPTION	KEY OPTION Fp	COLOR OPTION Fp	NUMBERS INDICATE CAVITIES OPEN FOR CIRCUITS																				
		NUMBER				Fp																				
SALEABLE	NOT APPLICABLE	34566-3603	0	B	ST GRAY					68				64					59		57		55		53	
								49	48		46							39		37				35		33
						73				32			29						23		21					18
SALEABLE	NOT APPLICABLE	34566-3703	0	A	BLACK					68	67	66	65					59				55		53		
								49	48	47		44					39					35		33		
						73							29	28					23							
SALEABLE	NOT APPLICABLE	34566-3803	0	A	BLACK	72	71		69	68	67	66		64	63	62		59				56		53		
								50		48		46		44	43	42		39				36	35		33	
						73				32			30	29			27			23				20		17
SALEABLE	NOT APPLICABLE	34566-3903	0	B	ST GRAY									65					59		57		55		53	
								49	48		46		44					39		37			35		33	
						73							29	28					24	23		21				
SALEABLE	NOT APPLICABLE	34566-4003	0	B	ST GRAY						67	66		64	63			59		57		55		53		
								50	49	48				43				39		37			35		33	
						73				32			29			27			24	23		21				18
SALEABLE	NOT APPLICABLE	34566-4103	0	A	BLACK	72	71		69	68	67	66		64	63	62		60	59				35		33	
						52			49	48		46	45	44	43	42		40	39							
						73				32			29			27	26		24	23						
SALEABLE	NOT APPLICABLE	34566-4203	0	B	ST GRAY									64				59		57		55		53		
								50	49	48		46						39		37			35		33	
						73				32			29					24	23		21				18	
SALEABLE	NOT APPLICABLE	34566-4303	0	A	BLACK			70	69	68	67		65	64	63		61		59	58	57	56				
								50	49	48	47					41			38	37	36			34	33	
						73				32	31	30	29	28	27			24	23			20	19	18		
SALEABLE	NOT APPLICABLE	34566-4403	0	A	BLACK	72	71	70	69	68	67	66	65	64	63		61		59	58	57	56				
								50	49	48	47					41			38	37	36			34	33	
						73				32	31	30	29	28	27			24	23			20	19	18		
SALEABLE	NOT APPLICABLE	34566-4503	0	H	ST GRAY		79	78	77	76	75	74	73	72	71	70	69	68		66	65	64	63		61	
						60	59	58	57	56				53			50						44	43		41
						40	39	38	37		35	34	33	32			30	29		27	26			24	23	22
SALEABLE	NOT APPLICABLE	34566-4603	0	H	ST GRAY		79	78	77	76	75	74	73	72	71	70	69	68		66	65	64	63		61	
						60	59	58	57	56				53			50						44	43		41
						40	39	38	37		35	34	33	32			30	29		27	26					22
SALEABLE	NOT APPLICABLE	34566-4703	0	B	ST GRAY						67	66	65	64				59	58	57		55		53		
								49	48	47		44						39	38	37			35		33	
						73							29						23	22	21					
SALEABLE	NOT APPLICABLE	34566-4803	0	A	BLACK	72	71		69	68	67	66		64	63	62	61		59					53		
									48				44		42	41		39						35		33
						73				32			29			27		25		23						
SALEABLE	NOT APPLICABLE	34566-4903	0	A	BLACK			70	69	68		66	65	64	63	62	61		59	58	57	56	55		53	
						52	51	50	49		47			44	43		41			38	37	36	35	34		33
						73				32	31	30	29	28	27			24	23			20	19	18	17	
SALEABLE	NOT APPLICABLE	34566-5003	0	H	ST GRAY		79	78	77	76	75	74	73	72	71	70	69	68		66	65	64	63		61	
						60	59	58	57	56				53	52		50						44	43		41
						40	39	38	37		35	34	33	32			30	29		27	26					22

MX123 52/66/73/80-WAY RECEPTACLE ASSY SEALED PIN OUT SHEET

STATUS	GM PART #	HRNS CONN ASSY			TPA	GROMMET CAP																							
		MATERIAL/PART	WIRE DRESS OPTION	KEY OPTION Fp	COLOR OPTION Fp	NUMBERS INDICATE CAVITIES OPEN FOR CIRCUITS																							
		NUMBER				Fp																							
SALEABLE	NOT APPLICABLE	34566-8103	0	H	ST GRY			78							72	71	70	69	68		66	65	64	63		61			
						60	59	58	57	56			53	52		50							27	26		24		22	21
						40			37		35	34	33	32		30	29						8		6	5		3	2
SALEABLE	NOT APPLICABLE	34566-8203	0	A	BLACK			70			67	66								58		56	55	54					
										47			44	43	42	41		39		37	36					34			
						73				31	30			27		25	24			21	20	19	18						
SALEABLE	NOT APPLICABLE	34566-8303	0	A	BLACK	72	71		69	68	67	66		64	63	62			59	58	57	56		54	53				
						52	51	50	49	48	47	46		44	43	42			39	38	37	36	35	34	33				
						73				32	31	30	29		27			24	23	22	21	20	19						17
SALEABLE	NOT APPLICABLE	34566-8403	0	B	ST GRY								65	64					59		57		55		53				
								50	49	48		46						39		37					35			33	
						73				32			29					24	23		21								
SALEABLE	NOT APPLICABLE	34566-8503	0	B	ST GRY								65	64					59		57		55		53				
						72	71	70	69	68	67	66		64	63	62			60	59						55	54	53	
						52			49	48				44	43	42			39								35	34	33
SALEABLE	NOT APPLICABLE	34566-8603	0	A	BLACK				69	68		66		64					59		57		55		53				
									49	48		46		44				39	38	37						35		33	
						73						29	28					23		21							18		17
SALEABLE	NOT APPLICABLE	34566-8703	0	B	ST GRY				69	68		66		64				59		57		55		53					
								50	49	48	47		44				39		37						35			33	
						73						29	28					23		21									17
SALEABLE	NOT APPLICABLE	34566-8803	0	B	ST GRY					68	67	66	65					59	58	57				54	53				
							51	50	49	48		46	45		43	42		40	39	38	37							33	
						73				32	31	30			26		24	23	22		20								
SALEABLE	NOT APPLICABLE	34566-8903	0	H	ST GRY			78								71	70	69	68	67	66	65	64	63		61			
								58	57	56			53	52		51	50								44	43		41	
						40			37		35	34	33	32		30	29						27	26				22	21
SALEABLE	NOT APPLICABLE	34566-9003	0	B	ST GRY				69	68		66		64					59		57		55		53				
									49	48		46		44				39		37					35			33	
						73						29	28					23		21							18		
SALEABLE	NOT APPLICABLE	34566-9103	0	A	BLACK					68			65		63		61		59	58		56			53				
						52	51	50			47					41			38	37	36	35	34	33					
						73				32	31	30	29	28	27		25	24	23	22	21	20	19	18	17				1
SALEABLE	NOT APPLICABLE	34566-9203	0	A	BLACK	72	71	70	69	68	67	66		64	63	62		60	59					55	54	53			
						52			49	48				44	43	42		40	39	38						35	34	33	
						73						30	29	28	27			24	23		19	18	17						
SALEABLE	NOT APPLICABLE	34566-9303	0	A	BLACK														59	58	57	56	55	54	53				
								50	49	48	47	46		44	43	42			39	38	37	36	35	34	33				
						73				32	31	30	29		27			24	23	22	21	20	19						17
SALEABLE	NOT APPLICABLE	34566-9403	0	B	ST GRY					68	67	66	65			43	42	41	40	39	38	37		35		33			
								51	50	49	48		46	45				26		24	23	22		20					
						73				32	31	30					10	9	8	7	6	5	4						
SALEABLE	NOT APPLICABLE	34566-9503	0	A	BLACK	72	71	70	69	68			65	64	63		61		59	58	57	56							
						52	51		49		47						41			38	37	36				34	33		
						73				32	31	30	29	28	27			24	23		20	19	18	17					1

MX123 52/66/73/80-WAY RECEPTACLE ASSY SEALED PIN OUT SHEET

STATUS	GM PART #	HRNS CONN ASSY			TPA	GROMMET CAP																						
		MATERIAL/PART	WIRE DRESS OPTION	KEY OPTION Fp	COLOR OPTION Fp	NUMBERS INDICATE CAVITIES OPEN FOR CIRCUITS																						
		NUMBER				Fp																						
SALEABLE	NOT APPLICABLE	34566-9603	0	A	BLACK	52	71	70	69	68		66	65	64	63		61		59	58	57	56						
								50	49		47								41			38	37	36	35	34	33	
						73			32	31	30	29	28	27					24	23					20	19	18	17
SALEABLE	NOT APPLICABLE	34566-9703	0	A	BLACK	72	71	70	69	68			65	64	63		61		59		57	56						
						52	51	50	49		47							41			38	37	36			34	33	
						73			32	31	30	29	28	27					24	23					20	19	18	
SALEABLE	NOT APPLICABLE	34566-9803	0	A	BLACK	72	71	70	69	68			65	64	63		61		59		57	56						
						52	51	50	49		47							41			38	37	36			34	33	
						73			32	31	30	29	28	27					24	23					20	19	18	
SALEABLE	NOT APPLICABLE	34566-9903	0	A	BLACK		71		69	68			65	64	63		61		59	58	57	56						
						52		50	49		47							41			38	37	36			34	33	
						73			32	31	30	29	28	27					24	23					20	19	18	17
SALEABLE	NOT APPLICABLE	34566-1013	0	A	BLACK		71		69	68			65	64	63		61		59	58	57	56						
						52		50	49		47							41			38	37	36			34	33	
						73			32	31	30	29	28	27					24	23					20	19	18	17
SALEABLE	NOT APPLICABLE	34566-1023	0	A	BLACK			70		67	66	65							58	57		55	54					
								50	49		47			44	43	42	41		39			37		35				
						73			32		30			27		25	24				21	20	19	18	17			
SALEABLE	NOT APPLICABLE	34566-1033	0	A	BLACK			70		67	66	65						58	57		55	54						
								50	49		47			44	43	42	41		39			37		35				
						73			32		30			27	26	25	24			21	20	19	18	17				
SALEABLE	NOT APPLICABLE	34566-1043	0	B	ST GRAY		71	70		68		66	65					59	58	57			54	53				
							51	50	49	48		46	45		43		41	40	39	38	37	36	35					
						73			32	31	30							24	23	22		20						
SALEABLE	NOT APPLICABLE	34566-1053	0	H	ST GRAY		79	78	77	76	75	74	73	72	71	70	69	68		66	65	64	63			61		
						60	59	58	57	56			53	52		50						44	43					
						40	39	38	37		35	34	33	32		30	29		27	26							22	21
SALEABLE	NOT APPLICABLE	34566-1063	0	B	ST GRAY								65				60	59		57	56	55		53				
									49	48	47			44				40	39		37	36	35					
						73						29	28					24	23		21							
SALEABLE	NOT APPLICABLE	34566-1073	0	A	BLACK	72	71	70	69	68	67	66	65	64	63		61		59	58	57	56			54			
								50	49	48	47							42	41		38	37	36			34	33	
						73			32	31	30	29	28	27	26			24	23					20	19	18		
SALEABLE	NOT APPLICABLE	34566-1083	0	B	ST GRAY					68	67	66	65	64				59	58	57			55	54	53			
							51	50	49	48		46	45		43	42	41	40	39	38	37		35					
						73			32	31	30				26		24	23	22		20							
SALEABLE	NOT APPLICABLE	34566-1093	0	A	BLACK			70		68	67	66						58		56	55	54						
									49		47			44	43	42	41		39		37	36			34			
						73				31	30			27		25	24			21	20	19	18					
SALEABLE	NOT APPLICABLE	34566-1123	0	H	ST GRAY			78					72	71	70	69	68	67	66	65	64	63			61			
								58	57	56			53	52	51	50						44	43					
						40			37		35	34	33	32		30	29		27	26						22	21	
SALEABLE	NOT APPLICABLE	34566-1133	0	A	BLACK			70		68	67	66				61		58	57		55	54						
									49		47		45	44	43	42	41		39		37			34				
						73			32		30			27		25	24			21	20	19	18					

MX123 52/66/73/80-WAY RECEPTACLE ASSY SEALED PIN OUT SHEET

STATUS	GM PART #	HRNS CONN ASSY			TPA	GROMMET CAP																						
		MATERIAL/PART	WIRE DRESS OPTION	KEY OPTION Fp	COLOR OPTION Fp	NUMBERS INDICATE CAVITIES OPEN FOR CIRCUITS																						
		NUMBER				Fp																						
SALEABLE	NOT APPLICABLE	34566-1143	0	A	BLACK	52		50		68			65		63		61		59	58		56			53			
										32	31	30	29	28	27		25	24	23	22	21	20	19	18	17			
						73			16	15	14	13	12	11	10	9												1
SALEABLE	NOT APPLICABLE	34566-1153	0	A	BLACK			70				67	66	65					58	57		55						
								49				47			44	43	42	41		39		37						
						73			32			30			27		25	24	23		21	20	19	18				
SALEABLE	NOT APPLICABLE	34566-1163	0	H	ST GRAY			78						72	71	70	69	68		66	65	64	63		61			
						60	59	58	57	56			53	52		50								44	43		41	
						40			37		35	34		32		30	29		27	26							22	21
SALEABLE	NOT APPLICABLE	34566-1173	0	A	BLACK	20	19	18	17	16			13	12				8		6	5		3	2				
						72	71		69	68			65	64	63	62	61	60	59	58		56		54				
						52		50	49	48	47		45			42	41		39	38	37	36		34	33			
SALEABLE	NOT APPLICABLE	34566-1183	0	B	ST GRAY	73			32	31	30	29	28	27	26		24	23										
										16			13	12	11	10	9											
									49	48	47			44		42			39		37		35					
SALEABLE	NOT APPLICABLE	34566-1193	0	A	BLACK						66	65	64		62			59		57		55		53				
								49	48	47			44		42			39		37		35						
						73						29	28					23		21								
SALEABLE	NOT APPLICABLE	34566-1213	0	A	BLACK	72	71		69	68	67	66		64	63	62		60	59						54	53		
						52			49	48		46		44	43	42			39							34	33	
						73			32			29			27			23										
SALEABLE	NOT APPLICABLE	34566-1223	0	B	ST GRAY	72	71		69	68	67	66		64	63	62		59							54	53		
						52			49	48		46		44	43	42			39							34	33	
						73			32			29			27			23										
SALEABLE	NOT APPLICABLE	34566-1233	0	B	ST GRAY						67	66	65		63	62		59		57		55		53				
									48				43	42		39		37		35								
						73						29		27	26		23		21									
SALEABLE	NOT APPLICABLE	34566-1243	0	B	ST GRAY							65			62		59		57		55		53					
									48		46			42		39		37		35								
						73						29			26		23		21									
SALEABLE	NOT APPLICABLE	34566-1253	9	B	ST GRAY			50		48		46					39		37		35		33					
												29				23		21										
						73						15		12			7	6	5	4	3							
SALEABLE	NOT APPLICABLE	34566-1263	9	A	BLACK				49	48		46				60	59		57		55		53					
															40	39		37		35								
						73											24	23		21								2
SALEABLE	NOT APPLICABLE	34566-1273	0	A	BLACK	NUMBERS IN BOLD MUST USE SAE WIRE MEETING SAE J1128, WIRE SIZE (NO.20) OR (NO.18 MAX. O.D. OF 2.06 MM) PER G.M. DRAWING NUMBER 12582682.																						
						72	71		69	68	67	66		64	63	62		59				56				53		
								50		48		46		44	43	42			39				36	35		33		
SALEABLE	NOT APPLICABLE	34566-1283	0	A	BLACK			70	69	68			65	64	63		61		59	58	57	56						
						52		50	49	48	47					41			38	37	36		34	33				
						73			32	31	30	29	28	27			24	23					20	19	18			

MX123 52/66/73/80-WAY RECEPTACLE ASSY SEALED PIN OUT SHEET

STATUS	GM PART #	HRNS CONN ASSY			TPA	GROMMET CAP																						
		MATERIAL/PART	WIRE DRESS OPTION	KEY OPTION Fp	COLOR OPTION Fp	NUMBERS INDICATE CAVITIES OPEN FOR CIRCUITS																						
		NUMBER				Fp																						
SALEABLE	NOT APPLICABLE	34566-1293	0	A	BLACK	52		50		68			65		63		61		59	58		56			34	33		
						73				32	31	30	29	28	27			24	23					20	19	18	17	
						73				16			13	12	11	10	9											
SALEABLE	NOT APPLICABLE	34566-1313	0	H	ST GRY	80		78						72	71	70	69	68			66	65	64	63		61		
								58	57	56	55	54	53										46		44	43	42	
						40			37		35				32			30	29				27	26				
SALEABLE	NOT APPLICABLE	34566-1323	0	A	BLACK	72	71	70	69	68	67	66	65	64	63	62		60	59	58	57	56	55	54	53			
						52	51	50	49	48	47	46	45	44	43	42	41	40	39	38	37	36	35	34	33			
						73				32	31	30	29	28	27			25	24	23	22	21	20	19	18	17		
SALEABLE	NOT APPLICABLE	34566-1333	0	A	BLACK			70	69	68			65	64					59	58		56						
						52		50	49		47						41				38	37	36				34	
						73				32	31	30	29	28	27					23					20	19	18	17
SALEABLE	NOT APPLICABLE	34566-1343	0	A	BLACK				69				65	64	63				59	58	57	56						
								50	49	48	47						41				38	37	36				34	
						73				32	31	30	29	28	27					23					20	19	18	17
SALEABLE	NOT APPLICABLE	34566-1353	0	H	ST GRY		79	78	77	76	75	74	73	72	71	70	69	68			66	65	64	63				
						60	59	58	57	56			53				50								44	43		41
						40	39	38	37		35	34			32			30	29				27	26				
SALEABLE	NOT APPLICABLE	34566-1363	0	A	BLACK	72	71		69	68	67	66		64	63	62			59								53	
										48		46		44	43	42				39								33
						73				32			29		27			24	23									
SALEABLE	NOT APPLICABLE	34566-1373	0	B	ST GRY							66	65			62			59		57		55		53			
										48		46				42			39			37		35			33	
						73							29			26			23			21						17
SALEABLE	NOT APPLICABLE	34566-1383	0	B	ST GRY				49	48	47	46						59	58	57		55				53		
																			39	38	37		35				33	
						73							29						23	22	21							17
SALEABLE	NOT APPLICABLE	34566-1393	0	A	BLACK			70			67	66					61			58	57		55	54				
											47		45	44	43	42	41		39			37				34		
						73				32		30				27		25	24				21	20	19	18		
SALEABLE	NOT APPLICABLE	34566-1423	0	B	ST GRY					68	67	66	65				61	60	59	58	57				54	53		
							51	50	49	48	47	46	45		43	42	41	40	39	38	37		35	34	33			
						73				32	31	30				26		24	23	22	21	20						
SALEABLE	NOT APPLICABLE	34566-1433	0	B	ST GRY							66		64					59		57		55		53			
									49	48		46							39			37		35			33	
						73				32			29						23			21					18	17
SALEABLE	NOT APPLICABLE	34566-1443	0	B	ST GRY				69	68		66							59		57		55		53			
									49	48		46							39			37		35			33	
						73							29						23			21						17
SALEABLE	NOT APPLICABLE	34566-1453	0	B	ST GRY				49	48	47			66	65	64		62			59		57		55	53		
														44		42			39			37		35			33	
						73							29	28		26			23			21						17
SALEABLE	NOT APPLICABLE	34566-1463	0	A	BLACK				69	68			65	64	63	62	61	60	59	58		56						
						52		50	49	48	47		45				41				38	37	36			34	33	
						73				32	31	30	29	28	27			24	23					20	19	18	17	

MX123 52/66/73/80-WAY RECEPTACLE ASSY SEALED PIN OUT SHEET

STATUS	GM PART #	HRNS CONN ASSY			TPA	GROMMET CAP																					
		MATERIAL/PART	WIRE DRESS OPTION	KEY OPTION Fp	COLOR OPTION Fp	NUMBERS INDICATE CAVITIES OPEN FOR CIRCUITS																					
		NUMBER				Fp																					
SALEABLE	NOT APPLICABLE	34566-1473	0	A	BLACK	72	71		69	68	67	66		64	63	62			59					54	53		
						52			49	48		46		44	43	42			39							34	33
						73				32			29		27			24	23								
SALEABLE	NOT APPLICABLE	34566-1483	0	A	BLACK	72	71		69	68			65	64	63		61		59	58		56					
						52		50	49		47					41			38	37	36				34	33	
						73				32	31	30	29	28	27		24	23			20	19	18	17			
SALEABLE	NOT APPLICABLE	34566-1493	0	B	ST GRAY				68								59	58	57		55			53			
									49	48		46						39	38	37		35				33	
						73							29					23	22	21						18	17
SALEABLE	NOT APPLICABLE	34566-1513	0	B	ST GRAY								65				59		57		55			53			
									49	48		46					39		37		35					33	
						73							29					23		21							17
SALEABLE	NOT APPLICABLE	34566-1523	0	A	BLACK			70	69	68			65	64			59	58		56			54				
						52		50	49		47				42	41		38	37	36			34				
						73				32	31	30	29	28	27	26		23			20	19	18	17			
SALEABLE	NOT APPLICABLE	34566-1533	0	A	BLACK	72	71	70	69	68			65	64	63		61		59	58	57	56			54		
						52	51	50	49		47					41			38	37	36				34	33	
						73				32	31	30	29	28	27		24	23			20	19	18	17			
SALEABLE	NOT APPLICABLE	34566-1543	0	B	ST GRAY				69	68		66					59		57		55			53			
									49	48		46					39		37		35					33	
						73							29					23		21							
SALEABLE	12582677	34566-1553	0	A	BLACK																						
						73																					
TOOL DESIGN SALEABLE	NOT APPLICABLE	34566-1563	9	A	BLACK																						
						73																					
TOOL DESIGN SALEABLE	NOT APPLICABLE	34566-1573	9	H	ST GRAY																						
						73																					
SALEABLE	NOT APPLICABLE	34566-1583	0	A	BLACK			70			67	66	65			61		58	57		55	54					
									49		47		45	44	43	42	41		39		37			34			
						73				32		30			27		25	24			21	20	19	18	17		
SALEABLE	NOT APPLICABLE	34566-1593	0	B	ST GRAY					67		65			61	60	59	58	57			54	53				
							51	50	49	48	47	46	45		43	42		40	39		37			34	33		
						73				32	31	30			26		24	23	22	21	20						
SALEABLE	NOT APPLICABLE	34566-1613	0	H	ST GRAY		79	78	77	76	75	74	73	72	71	70	69	68		66	65	64	63		61		
						60	59	58	57	56			53			50							44	43		41	
						40	39	38	37		35	34	33	32		30	29		27	26			24	23	22	21	
SALEABLE	NOT APPLICABLE	34566-1623	0	B	ST GRAY							66	65			62		59		57		55	53				
										48	47				42		39		37		35						
						73							29			26		23		21							17
SALEABLE	NOT APPLICABLE	34566-1633	0	B	ST GRAY				69	68		66					59		57		55	53					
								50		48	47						39		37		35					33	
						73							29			12	11	10		7							17

MX123 52/66/73/80-WAY RECEPTACLE ASSY SEALED PIN OUT SHEET

STATUS	GM PART #	HRNS CONN ASSY			TPA	GROMMET CAP																						
		MATERIAL/PART	WIRE DRESS OPTION	KEY OPTION Fp	COLOR OPTION Fp	NUMBERS INDICATE CAVITIES OPEN FOR CIRCUITS																						
		NUMBER				Fp																						
SALEABLE	NOT APPLICABLE	34566-1643	0	B	ST GRY				69	68		66							59		57		55		53			
								50		48		46							39		37		35		33			
						73						29						23		21							17	
SALEABLE	NOT APPLICABLE	34566-1653	0	B	ST GRY							66						59		57		55		53				
								50		48		46						39		37		35		33				
						73						29						23		21							17	
SALEABLE	NOT APPLICABLE	34566-1663	0	B	ST GRY							66						59		57		55		53				
								50		48		46						39		37		35		33				
						73						29						23		21							17	
SALEABLE	NOT APPLICABLE	34566-1673	0	A	BLACK	72	71	70	69	68	67	66	65	64	63	62		60	59					55	54	53		
						52			49	48			45	44	43	42	41	40	39							35	34	33
						73						29				27		25	24	23							19	18
SALEABLE	NOT APPLICABLE	34566-1683	0	B	ST GRY							67	66			63			59	58	57	56	55		53			
								50	49	48					43				39	38	37	36	35		33			
						73						29							23	22	21							
SALEABLE	NOT APPLICABLE	34566-1693	0	B	ST GRY							66		64				59		57		55		53				
								49	48		46							39		37		35		33				
						73						29							23		21						17	
SALEABLE	NOT APPLICABLE	34566-1713	0	B	ST GRY		71	70		68		66	65	64	63		60	59	58	57	56	55	54	53				
							51	50	49	48		46	45		43		41	40	39	38	37	36	35		33			
						73						32	31	30				24	23	22		20	19					
SALEABLE	NOT APPLICABLE	34566-1723	0	B	ST GRY		71	70		68		66	65			60	59	58	57				54	53				
							51	50	49	48		46	45		43		41	40	39	38	37	36	35		33			
						73						32	31	30				24	23	22		20						
SALEABLE	NOT APPLICABLE	34566-1733	0	A	BLACK			70		68	67	66	65				58	57			55							
								49		47			44	43	42	41		39		37		35						
						73						32		30			27		25	24		21	20	19	18	17		
SALEABLE	NOT APPLICABLE	34566-1743	0	A	BLACK			70		67	66	65				58	57			55								
								49		47			44	43	42	41		39		37		35						
						73						32		30			27		25	24		21	20	19	18	17		
SALEABLE	NOT APPLICABLE	34566-1753	0	A	BLACK			70		67	66	65				58	57			55								
								49		47			44	43	42	41		39		37		35						
						73						32				27		25	24		21	20	19	18	17			
SALEABLE	NOT APPLICABLE	34566-1763	0	B	ST GRY					67		65				61	60	59	58	57			54	53				
							51	50	49	48	47	46	45		43		40	39		37		34	33					
						73						32	31	30			26		24	23	22	21	20					
SALEABLE	NOT APPLICABLE	34566-1773	0	C	BLUE	72		70				67	66			63	62			59		57			53			
						52	51					46		44		42		40	39						34	33		
						73								30			27	26	25		22	21	20					
SALEABLE	NOT APPLICABLE	34566-1783	0	C	BLUE					67	66				63	62			59		57			53				
							51	70				46		44		42		40	39						34	33		
						73								30			26	25		22	21	20						
SALEABLE	NOT APPLICABLE	34566-1793	0	A	BLACK				69							63	62	61		58	57	56	55	54	53			
						52	51		49				44	43	42	41				37	36	35	34	33				
						73						32			29	28	27	26							19	18		

MX123 52/66/73/80-WAY RECEPTACLE ASSY SEALED PIN OUT SHEET

STATUS	GM PART #	HRNS CONN ASSY			TPA	GROMMET CAP																					
		MATERIAL/PART	WIRE DRESS OPTION	KEY OPTION Fp	COLOR OPTION Fp	NUMBERS INDICATE CAVITIES OPEN FOR CIRCUITS																					
		NUMBER				Fp																					
SALEABLE	NOT APPLICABLE	34566-1813	0	B	ST GRAY	72	71	70		68	67	66				62	61	60	59	58	57	56	55	54	53		
						52	51	50		48	47	46				42	41	40	39	38	37	36	35	34	33		
						73				32	31	30	29	28	27	26	25	24	23								
SALEABLE	NOT APPLICABLE	34566-1823	0	A	BLACK	72	71	70	69	68		66	65	64			61		59	58		56		54	53		
						52		50	49		47					42	41			38	37	36		34	33		
						73				32	31	30	29	28	27	26		24	23	22	21	20	19	18	17		
SALEABLE	NOT APPLICABLE	34566-1833	0	A	BLACK					68		65		63		61		59	58		56						
						52		50			47					41			38	37	36		34	33			
						73				32	31	30	29	28	27		25	24	23			20	19	18	17		
SALEABLE	NOT APPLICABLE	34566-1843	0	A	BLACK					68		65		63		61		59	58		56						
						52		50			47					41			38	37	36		34	33			
						73				32	31	30	29	28	27		25	24	23			20	19	18	17		
SALEABLE	NOT APPLICABLE	34566-1853	0	A	BLACK			70	69	68	67		65		63		61	60			57	56	55	54	53		
						52		50	49	48	47			44	43		41	40			37	36	35	34	33		
						73						30	29	28			25	24			21	20	19	18	17		
SALEABLE	NOT APPLICABLE	34566-1863	0	B	ST GRAY					68	67		66	65	64	63											
												46	45		43												
						73				32		30	29	28	27												
SALEABLE	NOT APPLICABLE	34566-1873	0	C	BLUE	72		70			67	66			63	62			59		57				53		
						52	51					46		44		42		40	39							34	33
						73				32		30			27	26	25			22	21	20					
SALEABLE	NOT APPLICABLE	34566-1883	0	A	BLACK			70		68	67	66	65						58	57		55					
									49		47			44	43	42	41	40	39		37		35				
						73				32		30			27		25	24			21	20	19	18	17		
SALEABLE	NOT APPLICABLE	34566-1893	0	C	BLUE			70				66			63			59		57					53		
						52	51					46		44		42		40	39							34	33
						73				32		30			27	26	25			22	21	20					
SALEABLE	NOT APPLICABLE	34566-1913	0	B	ST GRAY	72		70		68		66					60	59					55	54	53		
						52		50		48		46					40	39						35	34	33	
						73				32	31	30	29	28	27	26	25	24									
SALEABLE	NOT APPLICABLE	34566-1923	0	A	BLACK				69						63				58		56	55	54	53			
						52	51		49					44	43	42	41						36	35	34	33	
						73				32				28		26								19	18		
SALEABLE	NOT APPLICABLE	34566-1933	0	A	BLACK			70			67	66	65					58	57		55						
									49		47			44	43	42	41	40	39		37		35				
						73				32		30			27		25	24			21	20	19	18	17		
SALEABLE	NOT APPLICABLE	34566-1943	0	A	BLACK			70			67	66	65					58	57		55						
							51		49		47			44	43	42	41	40	39		37		35				
						73				32		30			27		25	24			21	20	19	18	17		
SALEABLE	NOT APPLICABLE	34566-1953	0	C	BLUE			70				66			63			59		57					53		
						52	51			48	47	46		44		42		40	39							34	33
						73						30				26	25			22	21	20					
SALEABLE	NOT APPLICABLE	34566-1963	0	C	BLUE	72		70				66			63			59		57					53		
						52	51					46		44		42		40	39							34	33
						73						30				26	25			22	21	20					

MX123 52/66/73/80-WAY RECEPTACLE ASSY SEALED PIN OUT SHEET

STATUS	GM PART #	HRNS CONN ASSY			TPA	GROMMET CAP																						
		MATERIAL/PART	WIRE DRESS OPTION	KEY OPTION Fp	COLOR OPTION Fp	NUMBERS INDICATE CAVITIES OPEN FOR CIRCUITS																						
		NUMBER				Fp																						
SALEABLE	NOT APPLICABLE	34566-1973	0	A	BLACK	52	51		69														56	55	54	53		
									49						44	63	42	41							36	35	34	33
						73				32				28		26			23					21			19	18
SALEABLE	NOT APPLICABLE	34566-1983	0	B	ST GRAY																							
						73																						
SALEABLE	NOT APPLICABLE	34566-1993	0	C	BLUE																							
						73																						
SALEABLE	NOT APPLICABLE	34566-2013	0	A	BLACK		71	70					65					60	59	58	57				54	53		
							51	50	49	48		46	45		43		41	40	39		37	36	35					33
						73				32	31	30						24	23	22		20						
SALEABLE	NOT APPLICABLE	34566-2023	0	A	BLACK			70		68	67	66	65							58	57				55			
									49		47			44	43	42	41		39		37		35					
						73				32		30				27		25	24			21	20	19	18	17		
SALEABLE	NOT APPLICABLE	34566-2033	0	A	BLACK		71	70					65	64				60	59	58	57				54	53		
							51	50	49	48		46	45		43		41	40	39		37	36	35					33
						73				32	31	30						24	23	22		20						
SALEABLE	NOT APPLICABLE	34566-2043	0	A	BLACK			70			67	66	65						58	57				55				
									49		47			44	43	42	41		39		37		35					
						73				32		30				27		25	24			21	20	19	18	17		
SALEABLE	NOT APPLICABLE	34566-2053	0	B	ST GRAY			70		68	67	66	65						58	57				55				
									49		47			44	43	42	41		39		37		35					
						73				32		30				27		25	24	23		21	20	19	18			
SALEABLE	NOT APPLICABLE	34566-2063	0	H	ST GRAY			78						72	71	70	69	68		66	65	64	63		61			
								58	57	56			53	52		50						44	43				41	
						40			37		35	34		32		30	29		27	26							22	21
SALEABLE	NOT APPLICABLE	34566-2073	0	H	ST GRAY			78						72	71	70	69	68		66	65	64	63		61			
								58	57	56			53	52		50						44	43				41	
						40			37		35	34		32		30	29		27	26							22	21
SALEABLE	NOT APPLICABLE	34566-2083	0	H	ST GRAY			78						72	71	70	69	68	67	66	65	64	63		61			
								58	57	56			53	52	51	50						44	43				41	
						40			37		35	34		32		30	29		27	26							22	21
SALEABLE	NOT APPLICABLE	34566-2093	0	A	BLACK					68			65		63		61		59	58			56					
						52		50			47					41			38	37	36		34	33				
						73				32	31	30	29	28	27		25	24	23			20	19	18	17			
SALEABLE	NOT APPLICABLE	34566-2113	0	H	ST GRAY		79	78	77	76	75	74	73	72	71	70	69	68		66	65	64	63		61			
							60	59	58	57	56	55		53	52		50					44	43	42	41			
						40	39	38	37		35	34	33	32		30	29		27	26							22	21
SALEABLE	NOT APPLICABLE	34566-2123	0	H	ST GRAY			79	78	77	76	75	74	73	72	71	70	69	68		66	65	64	63		61		
								59	58	57	56	55		53	52		50					44	43	42	41			
						40	39	38	37		35	34	33	32		30	29		27	26							22	21
SALEABLE	NOT APPLICABLE	34566-2133	0	B	ST GRAY		71	70					65	64				60	59	58	57			55	54	53		
							51	50	49	48		46	45		43		41	40	39		37	36	35					33
						73				32	31	30						24	23	22		20						

MX123 52/66/73/80-WAY RECEPTACLE ASSY SEALED PIN OUT SHEET

STATUS	GM PART #	HRNS CONN ASSY			TPA	GROMMET CAP																					
		MATERIAL/PART	WIRE DRESS OPTION	KEY OPTION Fp	COLOR OPTION Fp	NUMBERS INDICATE CAVITIES OPEN FOR CIRCUITS																					
		NUMBER				Fp																					
SALEABLE	NOT APPLICABLE	34566-2143	0	B	ST GRY	71	70					65				60	59	58	57			54	53				
						51	50	49	48		46	45		43		41	40	39		37	36	35			33		
						73			32	31	30					24	23	22		20							
SALEABLE	NOT APPLICABLE	34566-2153	0	A	BLACK			70		68	67	66	65					58	57		55						
								49		47			44	43	42	41		39		37							
						73			32		30			27		25	24	23		21	20	19	18				
SALEABLE	NOT APPLICABLE	34566-2163	0	A	BLACK			70			67	66				61		58		55	54						
								49		47		45	44	43	42	41		39		37							
						73			32					27		24			21	20	19	18	17				
SALEABLE	NOT APPLICABLE	34566-2173	0	A	BLACK			70			67	66	65			61		58		55	54						
								49		47		45	44	43	42	41		39		37							
						73			32		30			27		25	24		21	20	19	18	17				
SALEABLE	NOT APPLICABLE	34566-2183	0	A	BLACK			70			67	66					58	57		55							
								49		47			44	43	42	41		39		37							
						73			32					27		24			21	20	19	18	17				
SALEABLE	NOT APPLICABLE	34566-2193	0	A	BLACK			70			67	66	65				58	57		55							
								49		47			44	43	42	41		39		37							
						73			32		30			27		25	24		21	20	19	18	17				
SALEABLE	NOT APPLICABLE	34566-2213	9	H	ST GRY		79	78	77	76	75	74	73	72	71	70	69	68		66	65	64	63		61		
						60	59	58	57	56			53			50							44	43		41	
						40	39	38	37		35	34	33	32		30	29		27	26			24	23	22	21	
SALEABLE	NOT APPLICABLE	34566-2223	0	A	BLACK	20	19	18	17			14	13	12	11	10	9	8		6	5		3	2			
						72	71	70	69	68	67	66		64	63	62		60	59				55	54	53		
						52			49	48		46		44	43	42		40	39				35	34	33		
SALEABLE	NOT APPLICABLE	34566-2233	0	A	BLACK	73			32			29		27		24	23			19	18	17					
									16		14	13	12	11		9	8	7	6	5	4	3	2	1			
						52	51		49					44	43	42	41				58		56		54		
SALEABLE	NOT APPLICABLE	34566-2243	0	H	ST GRY				69						63				58		56		54				
						32					28		26									36	35	34	33		
						73			16			12		10										19	18		
SALEABLE	NOT APPLICABLE	34566-2253	0	A	BLACK		79	78	77	76	75	74	73	72	71	70	69	68		66	65	64	63		61		
						60	59	58	57	56			53	52		50							44	43		41	
						40	39	38	37		35	34	33	32		30	29		27	26			24	23	22	21	
SALEABLE	NOT APPLICABLE	34566-2263	0	A	BLACK	20	19	18	17	16		14	13	12	11	10	9	8		6	5		3	2			
						72	71	70	69	68		66	65	64	63		61		59	58		56		54	53		
						52		50	49		47					42	41			38	37	36		34	33		
SALEABLE	NOT APPLICABLE	34566-2273	0	A	BLACK	73			32	31	30	29	28	27	26		24	23	22	21	20	19	18	17			
									16			13	12	11	10	9	8										1
						52	51	50	49					44	43	42	41						36	35	34	33	
SALEABLE	NOT APPLICABLE	34566-2283	0	B	ST GRY				69						63	62	61		58	57	56	55	54	53			
						32					28		26										19	18			
						73			16		14		12		10									3			
SALEABLE	NOT APPLICABLE	34566-2293	0	C	BLUE				49		68	67	66	65	64	63					55						
									32		30	29	28	27													17
						73			16					10													
SALEABLE	NOT APPLICABLE	34566-2293	0	C	BLUE	72		70		68		66			63				59		57			53			
						52	51			48	47	46		44		42		40	39						34	33	
						73					30				26	25			22	21							

MX123 52/66/73/80-WAY RECEPTACLE ASSY SEALED PIN OUT SHEET

STATUS	GM PART #	HRNS CONN ASSY			TPA	GROMMET CAP																											
		MATERIAL/PART	WIRE DRESS OPTION	KEY OPTION Fp	COLOR OPTION Fp	NUMBERS INDICATE CAVITIES OPEN FOR CIRCUITS																											
		NUMBER																															
SALEABLE	NOT APPLICABLE	34566-2313	0	C	BLUE	72		70					66			63				59		57							34	53			
						52	51						46		44			42		40	39												
						73							30					26	25						22	21							
SALEABLE	NOT APPLICABLE	34566-2323	0	C	BLUE	72		70		68			66			63				59		57								34	53		
						52	51			48	47	46		44			42		40	39													
						73							30					26	25						22	21	20						
SALEABLE	NOT APPLICABLE	34566-2333	0	A	BLACK		71		69	68				65	64	63			61		59		57	56					34	33			
						52		50	49				47					41				39	38	37	36								
						73							32	31	30	29	28	27				24	23	22			20	19	18				
SALEABLE	NOT APPLICABLE	34566-2343	0	A	BLACK	72		70		68	67	66	65								58	57							34	33			
									49				47			44	43	42	41			39				37							
						73							32		30			27		25	24					21	20	19	18				
SALEABLE	NOT APPLICABLE	34566-2353	0	A	BLACK				49				67	66	65								58	57						34	33		
													47			44	43	42	41			39				37							
						73							32		30			27		25	24					21	20	19	18				
SALEABLE	NOT APPLICABLE	34566-2363	0	C	BLUE	72		70					67	66	65			63	62		59		57							34	53		
						52	51						46		44			42		40	39	38											
						73							32		30			27	26	25						22	21	20					
SALEABLE	NOT APPLICABLE	34566-2373	0	B	ST GRAY					68	67	66	65	64					61	60	59	58	57					55	54	53			
							51	50	49	48	47	46	45		43	42	41	40	39	38	37					35	34	33					
						73							32	31	30				26		24	23	22	21	20								
SALEABLE	NOT APPLICABLE	34566-2383	0	B	ST GRAY									65							59	57					55	54	53				
								50	49	48		46										39				37							
						73									29						24	23			21								
SALEABLE	NOT APPLICABLE	34566-2393	0	B	ST GRAY																59	57				55	54	53					
								50	49	48		46											39				37						
						73									29						23				21								
SALEABLE	NOT APPLICABLE	34566-2413	0	A	BLACK			70					67	66	65							58	57							34	53		
									49				47			44	43	42	41			39				37							
						73							32		30			27		25	24					21	20	19	18				
SALEABLE	NOT APPLICABLE	34566-2423	0	A	BLACK											63						58	57	56	55	54	53						
						52	51		49					44	43	42	41									36	35	34	33				
						73							32				28		26								19	18					
SALEABLE	NOT APPLICABLE	34566-2433	0	A	BLACK				69							63								56	55	54	53						
						52	51		49					44	43	42	41									36	35	34	33				
						73							32				28		26								19	18					
SALEABLE	NOT APPLICABLE	34566-2443	0	C	BLUE	72		70		68			66			63				59		57								34	53		
						52	51			48	47	46		44					40	39													
						73							32		30				26	25						22	21	20					
SALEABLE	NOT APPLICABLE	34566-2453	0	A	BLACK		71		69					65	64	63						58	57	56	55	54	53						
						52	51		49				45	44	43	42	41									37	36	35	34	33			
						73							32		30		28		26							23							
SALEABLE	NOT APPLICABLE	34566-2463	0	A	BLACK		71		69					65	64	63						57	56	55	54	53							
						52	51		49				45	44	43	42	41									37	36	35	34	33			
						73							32		30	29	28		26							23							

MX123 52/66/73/80-WAY RECEPTACLE ASSY SEALED PIN OUT SHEET

STATUS	GM PART #	HRNS CONN ASSY			TPA	GROMMET CAP																						
		MATERIAL/PART	WIRE DRESS OPTION	KEY OPTION Fp	COLOR OPTION Fp	NUMBERS INDICATE CAVITIES OPEN FOR CIRCUITS																						
		NUMBER				Fp																						
SALEABLE	NOT APPLICABLE	34566-2473	0	A	BLACK			70		68	67	66	65						58	57		55						
								49			47		30			44	43	42	41		39			35				
						73				32							27		25	24			21	20	19	18	17	
SALEABLE	NOT APPLICABLE	34566-2483	0	A	BLACK				69							63	62	61			58	57	56	55	54	53		
						52	51		49					44	43	42	41				37	36	35	34	33			
						73				32				29	28	27	26			23					19	18		
SALEABLE	NOT APPLICABLE	34566-2493 SAME AS P/N 34566-3863	0	B	ST GRN	72	71	70		68	67	66				62	61	60	59	58	57	56	55	54	53			
						52	51	50		48	47	46				42	41	40	39	38	37	36	35	34	33			
						73				32	31	30	29	28	27	26	25	24										17
SALEABLE	NOT APPLICABLE	34566-2513	0	C	BLUE	72		70		68	67	66			63	62			59		57				53			
						52	51			48	47	46		44		42		40	39							34	33	
						73				32		30				27	26	25				22	21	20				
SALEABLE	NOT APPLICABLE	34566-2523	0	A	BLACK	72	71	70	69	68	67	66	65	64	63	62		60	59					55	54	53		
						52			49	48			45	44	43	42	41	40	39							35	34	33
						73				32				29	28	27		25	24	23							19	18
SALEABLE	NOT APPLICABLE	34566-2533	0	B	ST GRN						67	66	65		63				59	58	57	56	55	54	53			
								50	49	48		46	45		43				39	38	37	36	35	34	33			
						73								29		27				23	22	21					18	
SALEABLE	NOT APPLICABLE	34566-2543	0	C	BLUE	72		70				66			63			59		57					53			
						52	51					46		44		42		40	39							34	33	
						73				32		30				27	26	25			22	21						
SALEABLE	NOT APPLICABLE	34566-2553	9	B	ST GRN	72	71	70		68	67	66				62	61	60	59	58	57	56	55	54	53			
						52	51	50		48	47	46				42	41	40	39	38	37	36	35	34	33			
						73				32	31	30	29	28	27	26	25	24	23									
SALEABLE	NOT APPLICABLE	34566-2563	9	A	BLACK				69						63	62	61			58	57	56	55	54	53			
						52	51	50	49					44	43	42	41				37	36	35	34	33			
						73				32				29	28	27	26									19	18	
SALEABLE	NOT APPLICABLE	34566-2573	9	C	BLUE	72		70			67	66			63	62			59		57				53			
						52	51					46		44		42		40	39							34	33	
						73						30				27	26	25			22	21	20					
SALEABLE	NOT APPLICABLE	34566-2583	0	A	BLACK				69						63					58	57	56	55	54	53			
						52	51	50	49					44	43	42	41									34	33	
						73				32				28		26											19	18
SALEABLE	NOT APPLICABLE	34566-2593	0	C	BLUE	72		70				66			63	62			59		57				53			
						52	51					46		44		42		40	39							34	33	
						73				32		30				27	26	25			22	21						
SALEABLE	NOT APPLICABLE	34566-2613	9	C	BLUE	72		70			67	66			63	62			59		57				53			
						52	51					46		44		42		40	39							34	33	
						73						30				27	26	25			22	21	20					
SALEABLE	NOT APPLICABLE	34566-2623	0	A	BLACK		71		69	68	67		65	64	63		61		59		57	56						
								50	49		47					41				38	37	36				34	33	
						73				32	31	30	29	28	27		24	23									18	
SALEABLE	NOT APPLICABLE	34566-2633	0	A	BLACK		71		69	68	67		65	64			61		59		57	56						
								50	49		47					41				38	37	36					33	
						73				32	31	30	29	28	27		24	23									18	

MX123 52/66/73/80-WAY RECEPTACLE ASSY SEALED PIN OUT SHEET

STATUS	GM PART #	HRNS CONN ASSY			TPA	GROMMET CAP																								
		MATERIAL/PART	WIRE DRESS OPTION	KEY OPTION Fp	COLOR OPTION Fp	NUMBERS INDICATE CAVITIES OPEN FOR CIRCUITS																								
		NUMBER				Fp																								
SALEABLE	NOT APPLICABLE	34566-2643	0	A	BLACK	71	69	68	67	65	64	63	61	59	57	56	34	33												
						50	49		47				41	39	38	37	36	19	18											
						73			32	31	30	29	28	27	24	23	22	20	19	18										
SALEABLE	NOT APPLICABLE	34566-2653	0	A	BLACK	71	69	68	67	65	64		61	59	57	56														
						50	49		47				41	39	38	37	36		33											
						73			32	31	30	29	28	27	24	23	22	20	19	18										
SALEABLE	NOT APPLICABLE	34566-2663	0	H	ST GRAY	79	78	77	76	75	74	73	72	71	70	69	68	66	65	64	63	61								
						60	59	58	57	56			53			50					44	43	41							
						40	39	38	37		35	34		32		30	29	27	26				22	21						
SALEABLE	NOT APPLICABLE	34566-2673	0	H	ST GRAY	79	78	77	76	75	74	73	72	71	70	69	68	66	65	64	63	61								
						60	59	58	57	56			53	52	50					44	43	41								
						40	39	38	37		35	34		32		30	29	27	26				22	21						
SALEABLE	NOT APPLICABLE	34566-2683	0	H	ST GRAY	78						72	71	70	69	68	67	66	65	64	63	61								
						60	59	58	57	56			53	52	51	50		48	47			44	43	41						
						40			37		35	34		32		30	29		27	26				22	21					
SALEABLE	NOT APPLICABLE	34566-2693	0	B	ST GRAY	71	70		68		66	65			60	59	58	57			54	53								
						51	50	49	48		46	45		43	42	41	40	39	38	37	36	35	33							
						73			32	31	30				24	23	22	20												
SALEABLE	NOT APPLICABLE	34566-2713	0	A	BLACK	69	68			65	64	63		61	60	59	58		56											
						52	50	49		47				41			38	37	36		34	33								
						73			32	31	30	29	28	27	25	24	23	20	19	18	17									
SALEABLE	NOT APPLICABLE	34566-2723	0	B	ST GRAY	71	70		68		66	65	64	63		60	59	58	57	56	55	54	53							
						51	50	49	48		46	45		43	42	41	40	39	38	37	36	35	33							
						73			32	31	30				24	23	22	20	19											
SALEABLE	NOT APPLICABLE	34566-2733	0	A	BLACK	70			68	67	66	65				58	57		55											
						52		49		47			44	43	42	41	39	37												
						73			32		30			27		25	24	23	21	20	19	18	17							
SALEABLE	NOT APPLICABLE	34566-2743	0	C	BLUE	72	70			67	66			63	62		59		57			53								
						52	51				46		44		42		40	39				34	33							
						73			32		30				26	25			22	21	20									
SALEABLE	NOT APPLICABLE	34566-2753	0	A	BLACK	52	51		49				44	43	42	41			58	57	56	55	54	53						
						73			32		29	28	27	26								19	18							
						73			16	15		13	12	11	10							3								
SALEABLE	NOT APPLICABLE	34566-2763	0	B	ST GRAY	72	71	70		68	67	66			62	61	60	59	58	57	56	55	54	53						
						52	51	50		48	47	46			42	41	40	39	38	37	36	35	34	33						
						73			32	31	30	29	28	27	26	25	24													
SALEABLE	NOT APPLICABLE	34566-2773	0	H	ST GRAY																	61								
																										61				
						20											9				5						1			
SALEABLE	NOT APPLICABLE	34566-2783	9	H	ST GRAY																		61							
																											61			
						20											9				5						1			
SALEABLE	NOT APPLICABLE	34566-2793	9	A	BLACK						67	66												61						
																											61			
						73			32	31	30	29		27		25			22	21		19	18	17						

MX123 52/66/73/80-WAY RECEPTACLE ASSY SEALED PIN OUT SHEET

STATUS	GM PART #	HRNS CONN ASSY			TPA	GROMMET CAP																						
		MATERIAL/PART	WIRE DRESS OPTION	KEY OPTION Fp	COLOR OPTION Fp	NUMBERS INDICATE CAVITIES OPEN FOR CIRCUITS																						
		NUMBER				Fp																						
SALEABLE	NOT APPLICABLE	34566-2813	9	B	ST GRAY	72	71	70	69	68	67	66	65	64		62	61	60	59	58	57	56	55	54				
						52	51	50	49	48		46		44				40				37	36					
						73				32	31	30	29	28	27		25	24					21	20			18	
SALEABLE	NOT APPLICABLE	34566-2823	0	A	BLACK						67	66																
																41												
						73				32	31	30	29		27		25				22	21			19	18	17	
SALEABLE	NOT APPLICABLE	34566-2833	0	B	ST GRAY	72	71	70	69	68	67	66	65			61	60				57	56	55	54				
						52	51	50	49	48		46		44				40				37	36					
						73				32	31	30	29	28	27			24				21	20	19	18	17		
SALEABLE	NOT APPLICABLE	34566-2843	0	A	BLACK						67	66																
																41												
						73				32	31	30	29		27		25			22	21			19	18	17		
SALEABLE	NOT APPLICABLE	34566-2853	0	B	ST GRAY	72	71	70	69	68	67	66	65	64	63		61	60				57	56	55	54			
						52	51	50	49	48		46		44				40				37	36					
						73				32	31	30	29	28	27			24				21	20	19	18	17		
SALEABLE	NOT APPLICABLE	34566-2863	0	A	BLACK						67	66																
																41												
						73				32	31	30	29		27		25			22	21			19	18	17		
SALEABLE	NOT APPLICABLE	34566-2873	0	B	ST GRAY	72	71	70	69	68	67	66							59	58	57	56	55	54	53			
						52	51	50	49	48	47							40				39	38	37	36	35	33	
						73					15					11	10		8		6	5	4	3				
SALEABLE	NOT APPLICABLE	34566-2883	0	A	BLACK			70	69						63	62	61			58	57	56	55	54	53			
						52	51		49				44	43	42	41						37	36			34		
						73				32			29	28	27	26										19	18	
SALEABLE	NOT APPLICABLE	34566-2893	0	A	BLACK				69		67	66	65		63			60			57	56			53			
									49		47	46		44	43			40				37	36	35			33	
						73					31	30	29	28				24			21	20						17
SALEABLE	NOT APPLICABLE	34566-2913	0	B	ST GRAY					68	67			64					58									
												46	45									38						
						73				32		30	29	28	27					22								17
SALEABLE	NOT APPLICABLE	34566-2923	0	B	ST GRAY						15																	
												46	45															
						73				32		30	29	28	27													17
SALEABLE	NOT APPLICABLE	34566-2933	0	A	BLACK	72			69		67	66	65		63			60			57	56			53			
									49		47		44	43			40					37	36	35			33	
						73					31	30	29	28				24			21	20						17
SALEABLE	NOT APPLICABLE	34566-2943	0	B	ST GRAY					68	67			64	63				59		57							
												46	45		43						39		37					
						73				32		30	29	28	27							21						
SALEABLE	NOT APPLICABLE	34566-2953	0	B	ST GRAY					68	67			64	63				59									
												46	45		43						39						34	
						73				32		30	29	28	27													
SALEABLE	NOT APPLICABLE	34566-2963	0	H	ST GRAY		79						74	73	72	71		69	68	67			64		62	61		
							59						54	53	52			49	48	47							42	41
								38						33					29	28	27			25				

MX123 52/66/73/80-WAY RECEPTACLE ASSY SEALED PIN OUT SHEET

STATUS	GM PART #	HRNS CONN ASSY			TPA	GROMMET CAP																						
		MATERIAL/PART	WIRE DRESS OPTION	KEY OPTION Fp	COLOR OPTION Fp	NUMBERS INDICATE CAVITIES OPEN FOR CIRCUITS																						
		NUMBER				Fp																						
SALEABLE	NOT APPLICABLE	34566-2973	0	G	BLUE	80		78	77		75	74	73	72		70	69		67		65	64	63	62				
						60		58	57		55	54		52	51	50	49		47		45							
						40		38	37				33	32	31				27	26	25	24						
						20		18	17								10	9	8		6	5			3	2	1	
SALEABLE	NOT APPLICABLE	34566-9913	0	A	BLACK	72	71			68	67	66	65	64					59									
								50		48	47	46	45					40	39	38								
						73					31	30						25	24		22	21	20				17	
												14						9	7	6	5	4			2	1		
SALEABLE	NOT APPLICABLE	34566-9923	0	A	BLACK	72	71				67	66				62	61	60			57			55	54			
							51			48		46	45	44	43	42			39						35		33	
						73												26	25	24								
												15	14							8	7	6	5	4	3	2		
SALEABLE	NOT APPLICABLE	34566-9933	0	B	ST GRAY				69				65	64	63													
									49				45	44	43													
						73										12	11					22	21	20	19	18	17	
																						6	5	4	3	2	1	
SALEABLE	NOT APPLICABLE	34566-9943	0	C	BLUE		71		69				65	64			61	60			58		56	55	54			
								50	49			45		43		41				37	36	35						
						73					31		29	28				24	23					19	18	17		
												16		13	12	11				8	7				3	2	1	
SALEABLE	NOT APPLICABLE	34566-9953	0	A	BLACK					67						62		60			57			55				
							51			48		46	45	44	43				39						35			
						73													25									
												15	14							7	6	5	4	3	2			
SALEABLE	NOT APPLICABLE	34566-9963	0	B	ST GRAY					68	67			64	63					58			55					
												46	45		43					38				35				
						73					32		30	29	28	27				22				19		17		
												15		13				10									1	
SALEABLE	NOT APPLICABLE	34566-9973	0	B	ST GRAY					68	67			64	63					58								
												46	45		43					38								
						73					32		30	29	28	27				22							17	
												15		13				10										
SALEABLE	NOT APPLICABLE	34566-2983	9	A	BLACK				70	69					63	62	61			58	57	56	55	54	53			
						52	51		49				44	43	42	41					37	36			34			
						73					32		29	28	27	26								19	18	17		
											16	15		13	12	11	10								3	2	1	
SALEABLE	NOT APPLICABLE	34566-2993	9	B	ST GRAY	72	71	70		68	67	66				62	61	60	59	58	57	56	55	54	53			
						52	51	50		48	47	46				42	41	40	39	38	37	36	35	34	33			
						73					32	31	30	29	28	27	26	25	24									
											16	15	14	13			10	9	8									
SALEABLE	NOT APPLICABLE	34566-3013	9	C	BLUE	72	71	70	69	68	67	66			63	62			59		57	56	55		53			
						52	51					46		44		42		40	39	38						34	33	
						73					32		30				26	25			22	21			19	18		
												15	14				10	9			6	5	4	3				
SALEABLE	NOT APPLICABLE	34566-3023	0	G	BLUE		79			76					71			68		66				61				
							59			56			53						30	29	28			44	43	42	41	
							39			36	35	34													23	22	21	
							19			16	15	14	13	12	11					7					4			
SALEABLE	NOT APPLICABLE	34566-3033	0	H	ST GRAY	80		78	77	76	75					70				66	65		63					
						60		58	57	56	55				51	50				46	45	44	43					
						40	39		37	36	35	34		32	31	30			28		26		24	23	22			
						20	19	18	17	16				13	12						6	5	4	3	2	1		
SALEABLE	NOT APPLICABLE	34566-3043	0	C	BLUE	72	71	70		68		66			63	62			59		57				53			
						52	51			48	47	46		44		42		40	39							34	33	
						73					32		30			27	26	25			22	21	20					
												15	14	13			10	9			6	5	4					
SALEABLE	NOT APPLICABLE	34566-3053	0	C	BLUE	72		70		68		66			63	62			59		57				53			
						52	51			48	47	46		44		42		40	39	38						34	33	
						73					32		30			27	26	25			22	21	20					
												15	14	13			10	9			6	5	4					


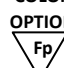

MX123 52/66/73/80-WAY RECEPTACLE ASSY SEALED PIN OUT SHEET

STATUS	GM PART #	HRNS CONN ASSY			TPA	GROMMET CAP																					
		MATERIAL/PART	WIRE DRESS OPTION	KEY OPTION Fp	COLOR OPTION Fp	NUMBERS INDICATE CAVITIES OPEN FOR CIRCUITS																					
		NUMBER				Fp																					
SALEABLE	NOT APPLICABLE	34566-3063	0	A	BLACK	52	71	69				65	64	63			60		58	57	56	55	54	53			
							51	49				45	44	43	42	41						37	36	35	34	33	
						73			32	30		28		26										19	18		
SALEABLE	NOT APPLICABLE	34566-3073	0	A	BLACK	52	71	69				65	64	63			60			57	56	55	54	53			
							51	49				45	44	43	42	41						37	36	35	34	33	
						73			32	30		28		26			23							19	18		
SALEABLE	NOT APPLICABLE	34566-3083	0	A	BLACK	52	71	69				65	64	63			60		58	57	56	55	54	53			
							51	49				45	44	43	42	41						37	36	35	34	33	
						73			32	30		28		26										19	18		
SALEABLE	NOT APPLICABLE	34566-3093	0	A	BLACK	52	71	69				65	64	63			60			57	56	55	54	53			
							51	49				45	44	43	42	41						37	36	35	34	33	
						73			32	30		28		26			23							19	18		
SALEABLE	NOT APPLICABLE	34566-3113	0	A	BLACK	52	71	69				65	64	63			60			57	56	55	54	53			
							51	49				45	44	43	42	41						37	36	35	34	33	
						73			32	30		28		26			23			21				19	18		
SALEABLE	NOT APPLICABLE	34566-3123	0	B	ST GRAY	72		70				66					60	59					55	54	53		
						52		50				48	46				40	39						35	34	33	
						73			32	31	30	29	28	27	26	25	24										
SALEABLE	NOT APPLICABLE	34566-3133	0	C	BLUE	72		70				66			63	62			59		57				53		
						52	51					48	47	46		44		42		40	39					34	33
						73			32		30				26	25			22	21	20						
SALEABLE	NOT APPLICABLE	34566-3143	0	C	BLUE	72		70				66			63	62			59		57				53		
						52	51					46		44		42		40	39			37	36			34	33
						73			32		30				26	25			22	21							
SALEABLE	NOT APPLICABLE	34566-3153	0	A	BLACK	52		70	69						63				58			56		54			
							51	49				47			44	43	42	41					36		34		
						73			32					28		26									19	18	
SALEABLE	NOT APPLICABLE	34566-3163	0	C	BLUE	72		70							63	62			59		57	56	55		53		
						52	51					46		44		42		40	39			37	36			34	33
						73			32		30				26	25			22	21					19	18	
SALEABLE	NOT APPLICABLE	34566-3173	0	A	BLACK	52		70	69						63				58			56		54			
							51	49				47			44	43	42	41					36		34		
						73			32					28		26									19	18	17
SALEABLE	NOT APPLICABLE	34566-3183	0	C	BLUE	72		70				66			63	62			59		57	56	55		53		
						52	51					46		44		42		40	39							34	33
						73			32		30				26	25			22	21							
SALEABLE	NOT APPLICABLE	34566-3193	0	A	BLACK	52		70	69						63				58			56	55	54	53		
							51	49				47			44	43	42	41					36	35	34	33	
						73			32					28		26									19	18	17
SALEABLE	NOT APPLICABLE	34566-3213	0	C	BLUE	72		70				67	66			63	62			59		56			53		
						52	51					46		44		42		40	39							34	33
						73			32		30				26	25			22	21							
SALEABLE	NOT APPLICABLE	34566-3223	0	C	BLUE	72		70				67	66			63	62			59		57			53		
						52	51					46		44		42		40	39							34	33
						73			32		30				27	26	25			22	21						

MX123 52/66/73/80-WAY RECEPTACLE ASSY SEALED PIN OUT SHEET

STATUS	GM PART #	HRNS CONN ASSY			TPA	GROMMET CAP																										
		MATERIAL/PART	WIRE DRESS OPTION	KEY OPTION Fp	COLOR OPTION Fp	NUMBERS INDICATE CAVITIES OPEN FOR CIRCUITS																										
		NUMBER				Fp																										
SALEABLE	NOT APPLICABLE	34566-3233	0	A	BLACK	70	69									63	62	61					58	57	56	55	54	53				
						52	51		49					44	43	42	41											36		19	18	
						73			32			29	28	27	26															3		
SALEABLE	NOT APPLICABLE	34566-3243	0	C	BLUE	72		70							66			63	62				59		57				53			
						52	51						46		44		42			40	39									34	33	
						73			32		30					26	25			22	21											
SALEABLE	NOT APPLICABLE	34566-3253	0	A	BLACK	70	69										63						58		56	55	54	53				
						52	51		49					44	43	42	41											36		34		
						73			32					28		26														19	18	
SALEABLE	NOT APPLICABLE	34566-3263	0	C	BLUE	72		70							66			63	62				59		57	56	55	54	53			
						52	51						46		44		42			40	39									34	33	
						73			32		30					26	25			22	21									19	18	
SALEABLE	NOT APPLICABLE	34566-3273	0	A	BLACK	70	69										63						58		56	55	54	53				
						52	51		49					44	43	42	41											36		34		
						73			32					28		26														19	18	17
SALEABLE	NOT APPLICABLE	34566-3283	0	C	BLUE	72		70							66			63	62				59		57	56	55	54	53			
						52	51						46		44		42			40	39									34	33	
						73			32		30					26	25			22	21									19	18	
SALEABLE	NOT APPLICABLE	34566-3293	0	B	ST GRAY	72	71	70							68	67	66				62	61	60	59	58	57	56	55	54	53		
						52	51	50						48	47					42	41	40	39	38	37	36	35	34	33			
						73			32	31	30	29	28	27	26	25	24	23														
SALEABLE	NOT APPLICABLE	34566-3313	0	C	BLUE	72		70									63	62					59		57				53			
						52	51						46		44		42			40	39									34	33	
						73			32		30					26	25			22	21											
SALEABLE	NOT APPLICABLE	34566-3323	0	B	ST GRAY					68	67	66	65	64	63								58			55						
									49				48		46	45	44	43							38							
						73			32		30	29	28	27												22						17
SALEABLE	NOT APPLICABLE	34566-3333	0	A	BLACK	72	71	70	69	68					65	64	63			61			59	58	57	56		54				
						52	51	50	49					47					42	41			40	39	38	37	36		34	33		
						73			32	31	30	29	28	27	26			24	23									20	19	18	17	
SALEABLE	NOT APPLICABLE	34566-3343	0	A	BLACK	72				69					67	66	65			63			60			57	56		53			
									49				47			44	43	42		40					37	36	35			33		
						73			32		30	29	28			26			24								21	20			17	
SALEABLE	NOT APPLICABLE	34566-3353	0	B	ST GRAY					68	67				64							59	58					54				
													46	45											39	38						
						73			32		30	29	28	27												23	22					17
SALEABLE	NOT APPLICABLE	34566-3363	0	A	BLACK		71			69	68				65	64	63			61			59		57	56		54				
						52			50	49				47					42	41	40	39	38	37	36				34	33		
						73			32	31	30	29	28	27	26			24	23	22								20	19	18		
SALEABLE	NOT APPLICABLE	34566-3373	9	C	BLUE	72		70							68	67	66			63	62			59		57	56	55	54	53		
						52	51						48	47	46		44		42		40	39	38							34	33	
						73			32		30					26	25			22	21									19	18	
SALEABLE	NOT APPLICABLE	34566-3383	0	A	BLACK			70	69	68					65	64	63			61			59	58	57	56		54				
						52			50	49				48	47				42	41			40	39	38	37	36		34	33		
						73			32	31	30	29	28	27	26			24	23									20	19	18		1

MX123 52/66/73/80-WAY RECEPTACLE ASSY SEALED PIN OUT SHEET

STATUS	GM PART #	HRNS CONN ASSY			TPA	GROMMET CAP																							
		MATERIAL/PART	WIRE DRESS OPTION	KEY OPTION 	COLOR OPTION 	NUMBERS INDICATE CAVITIES OPEN FOR CIRCUITS 																							
		NUMBER																											
SALEABLE	NOT APPLICABLE	34566-3393	0	C	BLUE	72		70			68	67	66			63	62			59		57					53		
						52	51				48	47	46			44			40	39								34	33
						73						32		30					26	25			22	21					
SALEABLE	NOT APPLICABLE	34566-3413	0	A	BLACK	72		70			67	66	65				61			58	57			55	54				
								50	49		47		45	44	43	42	41		39			37			35				
						73						32		30				27	26	25	24			21	20	19	18	17	
SALEABLE	NOT APPLICABLE	34566-3423	9	C	BLUE					69						63				58		56	55	54	53				
						52	51		49					44	43	42	41							36	35	34	33		
						73						32				28		26								19	18	17	
SALEABLE	NOT APPLICABLE	34566-3433	9	C	BLUE											63	62			59		57	56	55	53				
						52	51						44	43	42	41									36	35	34	33	
						73						32				28		26								19	18	17	
SALEABLE	NOT APPLICABLE	34566-3443	0	A	BLACK		71		69				65	64	63			60			57	56	55	54	53				
						52	51		49				45	44	43	42	41					37	36	35	34	33			
						73						32		30		28		26			23				19	18			
SALEABLE	NOT APPLICABLE	34566-3453	0	A	BLACK																								
						73																	20						
																												1	
SALEABLE	NOT APPLICABLE	34566-3463	9	H	ST GRAY																				61				
						73																							
																													1
SALEABLE	NOT APPLICABLE	34566-3473	9	B	ST GRAY	72	71	70	69	68	67	66	65	64		62	61	60	59	58	57	56	55	54					
						52	51	50	49			46		44				40		38	37	36							
						73						32	31	30	29	28	27		25	24			21	20		18	17		
SALEABLE	NOT APPLICABLE	34566-3483	0	B	ST GRAY	72	71	70	69	68	67	66	65			61	60			57	56	55	54						
						52	51	50	49	48		46		44			40		38	37	36								
						73						32	31	30	29	28	27		24			21	20	19	18	17			
SALEABLE	NOT APPLICABLE	34566-3493	0	A	BLACK			70			67	66	65				61			58	57			55	54				
								49		47		45	44	43	42	41		39			37			35					
						73						32		30				27	26	25	24			21	20	19	18	17	
SALEABLE	NOT APPLICABLE	34566-3513	0	A	BLACK			70	69						63	62	61	60			58	57	56	55	54	53			
						52	51		49					44	43	42	41					37	36						
						73						32		29	28	27	26								19	18			
SALEABLE	NOT APPLICABLE	34566-3523	0	A	BLACK	72		70					66			63	62						56	55	54				
						52			49					43	42									36	35	34			
						73						32		31		28		26					21	20	19	18			
SALEABLE	NOT APPLICABLE	34566-3533	9	A	BLACK					69						63				58		56	55	54	53				
						52	51		49					44	43	42	41							36	35	34	33		
						73						32				28		26							19	18	17		
SALEABLE	NOT APPLICABLE	34566-3543	9	A	BLACK			70					66			63	62			59		57	56	55	53				
						52	51					46		44			42		40	39						34	33		
						73								30				26	25			22	21						
SALEABLE	NOT APPLICABLE	34566-3553	9	C	BLUE	72	71	70	69	68	67	66	65		63	62	61		59	58	57	56	55	54	53				
							51	50	49	48		46	45	44	43	42	41	40	39	38			36	35	34	33			
						73						32		31	30	29	28	27	26	25			22		20	19	18	17	



MX123 52/66/73/80-WAY RECEPTACLE ASSY SEALED PIN OUT SHEET




STATUS	GM PART #	HRNS CONN ASSY			TPA	GROMMET CAP																														
		MATERIAL/PART	WIRE DRESS OPTION	KEY OPTION		COLOR OPTION	NUMBERS INDICATE CAVITIES OPEN FOR CIRCUITS																													
		NUMBER																																		
SALEABLE	NOT APPLICABLE	34566-3563	9	C	BLUE	72				68	67	66					63	62			59										53					
						52	51			48	47	46			44				42			40	39	38									34	33		
						73				32				30					27	26	25			22	21											
SALEABLE	NOT APPLICABLE	34566-3573	9	C	BLUE			70	69	68						63	62	61			58	57	56	55	54	53										
						52	51	50	49	48	47				44	43	42	41						37	36								34			
						73				32					29	28	27	26															19	18		
SALEABLE	NOT APPLICABLE	34566-3583	9	A	BLACK			70	69							63	62	61				58	57	56	55	54	53									
						52	51	50	49						44	43	42	41							37	36								34		
						73				32					29	28	27	26															19	18		
SALEABLE	NOT APPLICABLE	34566-3593	0	A	BLACK		71		69						64	63			60			58	57	56	55	54	53									
						52	51		49						45	44	43	42	41						37	36								34	33	
						73				32				30			28			26															19	18
SALEABLE	NOT APPLICABLE	34566-3613	0	B	ST GRY					68	67				64	63																				
														46	45																					
						73				32				30	29	28	27																			
SALEABLE	NOT APPLICABLE	34566-3623	0	A	BLACK	72			70	69						63	62	61	60	59	58	57	56	55	54	53										
						52	51		49						44	43	42	41								37	36								34	
						73				32					29	28	27	26																19	18	
SALEABLE	NOT APPLICABLE	34566-3633	0	C	BLUE	72			70		68	67	66				63	62			59												53			
						52	51			48	47	46			44						40	39	38	37	36									34	33	
						73				32				30					26	25	24	23	22	21												
SALEABLE	NOT APPLICABLE	34566-3643	0	B	ST GRY		71		70		68	67	66			64	63																53			
						52	51	50		48	47	46														39									34	33
						73				32	31	30	29	28	27	26	25	24																		17
SALEABLE	NOT APPLICABLE	34566-3653	0	B	ST GRY		71		70	69	68					65	64																53			
						52	51	50	49	48	47	46			45	44	43	42	41						39									34	33	
						73				32			30	29	28	27	26	25	24																3	2
SALEABLE	NOT APPLICABLE	34566-3663	0	A	BLACK	72			70	69						63	62	61	60	59	58	57	56	55	54	53										
						52	51		49						44	43	42	41								37	36								34	
						73				32				29	28	27	26																19	18		
SALEABLE	NOT APPLICABLE	34566-3673	9	C	BLUE		71		70	69	68	67				65				59	58	57	56	55	54	53										
							51	50	49	48					45	44	43	42	41	40	39	38			36	35	34	33								
						73					31	30	29	28	27	26										22		20	19	18	17					
SALEABLE	NOT APPLICABLE	34566-3683	9	H	ST GRY																												61			
						20										15							9													1
SALEABLE	NOT APPLICABLE	34566-3693	0	C	BLUE	72			70		68	67	66				63	62			59												53			
						52	51			48	47	46			44					42			40	39	38										34	33
						73				32				30					27	26	25					22	21									
SALEABLE	NOT APPLICABLE	34566-3713	0	C	BLUE				70		68	67	66				63	62			59												53			
						52	51			48	47	46			44					42			40	39										34	33	
						73				32				30					27	26	25					22	21									
SALEABLE	NOT APPLICABLE	34566-3723	0	A	BLACK				70	69																										
						52	51	50	49									44	43	42	41															
						73				32				29	28	27	26																	19	18	

MX123 52/66/73/80-WAY RECEPTACLE ASSY SEALED PIN OUT SHEET

STATUS	GM PART #	HRNS CONN ASSY			TPA	GROMMET CAP																						
		MATERIAL/PART	WIRE DRESS OPTION	KEY OPTION Fp	COLOR OPTION Fp	NUMBERS INDICATE CAVITIES OPEN FOR CIRCUITS																						
		NUMBER				Fp																						
SALEABLE	NOT APPLICABLE	34566-3733	0	B	ST GRAY	72	71	70		68	67	66				62	61	60	59	58	57	56	55	54	53			
						52	51	50		48	47	46				42	41	40	39	38	37	36	35	34	33			
						73				32	31	30	29	28	27	26	25	24	23									
SALEABLE	NOT APPLICABLE	34566-3743	0	C	BLUE	72		70		68		66			63	62			59		57			53				
						52	51			48	47	46		44		42		40	39	38					34	33		
						73				32		30			27	26	25			22	21							
SALEABLE	NOT APPLICABLE	34566-3753	0	C	BLUE	72		70		68		66			63	62			59		57			53				
						52	51			48	47	46		44		42		40	39						34	33		
						73				32		30			27	26	25			22	21							
SALEABLE	NOT APPLICABLE	34566-3763	0	C	BLUE	72		70		68		66			63	62			59		57	56	55	54	53			
						52	51			48	47	46		44		42		40	39						34	33		
						73				32		30			27	26	25			22	21							
SALEABLE	NOT APPLICABLE	34566-3773	0	A	BLACK			70	69						63				58		56	55	54	53				
						52	51	50	49					44	43	42	41		39					36		34		
						73				32					28		26								19	18		
SALEABLE	NOT APPLICABLE	34566-3783	0	A	BLACK			70	69						63				58		56	55	54	53				
						52	51	50	49					44	43	42	41		39					36		34		
						73				32					28		26								19	18	17	
SALEABLE	NOT APPLICABLE	34566-3793	0	A	BLACK		71	70						64	63			60		58	57	56	55	54	53			
						52	51		49				45	44	43	42	41				37	36			34			
						73				32		30			28		26		23		21				19	18		
SALEABLE	NOT APPLICABLE	34566-3813	0	C	BLUE	72		70		68		66			63	62			59		57			53				
						52	51			48	47	46		44		42		40	39	38	37	36			34	33		
						73				32		30			26	25	24			22	21	20						
SALEABLE	NOT APPLICABLE	34566-3823	0	A	BLACK			70	69						63		61			58	57	56	55	54	53			
						52	51		49					44	43		41				37	36			34			
						73				32					27	26									19	18		
SALEABLE	NOT APPLICABLE	34566-3833	0	A	BLACK			70	69						63	62	61			57	56	55	54	53				
						52	51		49					44	43	42	41				37	36			34			
						73				32			29	28	27	26			23						19	18		
SALEABLE	NOT APPLICABLE	34566-3843	0	A	BLACK	72	71	70	69	68	67	66			64	63	62		60	59				55	54	53		
						52			49	48				44	43	42	41	40	39						35	34	33	
						73				32			29	28	27		25	24	23							19	18	17
SALEABLE	NOT APPLICABLE	34566-3853	0	A	BLACK	72	71	70	69	68	67	66	65	64	63	62		60	59						55	54	53	
						52			49	48			45	44	43	42	41	40	39							35	34	33
						73				32			29	28	27		25	24	23								19	18
SALEABLE	NOT APPLICABLE	34566-3863	0	B	ST GRAY	72	71	70		68	67	66				62	61	60	59	58	57	56	55	54	53			
						52	51	50		48	47	46				42	41	40	39	38	37	36	35	34	33			
						73				32	31	30	29	28	27	26	25	24									2	1
SALEABLE	NOT APPLICABLE	34566-3873	0	B	ST GRAY										63				59	58	57	56	55					
								50	49	48		46	45		43					39	38	37	36	35	34			
						73							29	27						23	22	21					18	
SALEABLE	NOT APPLICABLE	34566-3883	0	B	ST GRAY						67	66						59	58	57	56	55		53				
								50	49	48			45							39	38	37	36	35	34	33		
						73							29							23	22	21					18	



MX123 52/66/73/80-WAY RECEPTACLE ASSY SEALED PIN OUT SHEET

STATUS	GM PART #	HRNS CONN ASSY			TPA	GROMMET CAP																																				
		MATERIAL/PART	WIRE DRESS OPTION	KEY OPTION 	COLOR OPTION 	NUMBERS INDICATE CAVITIES OPEN FOR CIRCUITS 																																				
		NUMBER																																								
SALEABLE	NOT APPLICABLE	34566-3893	0	C	BLUE	72				68	67	66			63	62			59																53							
						52	51			48	47	46		44		42					22	21														34	33					
						73												27	26	25				6	5	4																
SALEABLE	NOT APPLICABLE	34566-3913	0	A	BLACK		71	70	69					64	63			60			58	57	56	55	54	53																
						52	51		49					45	44	43	42	41				37	36													34						
						73																																				
SALEABLE	NOT APPLICABLE	34566-3923	0	B	ST GRV	72			70		68			66									60	59									55	54	53							
						52			50		48			46											40	39									35	34	33					
						73																																				
SALEABLE	NOT APPLICABLE	34566-3933	0	A	BLACK		71	70	69					64	63			60			58	57	56	55	54	53																
						52	51		49					45	44	43	42	41				37	36														34					
						73																																				
SALEABLE	NOT APPLICABLE	34566-3943	0	C	BLUE	72			70		68			66									60	59									55	54	53							
						52			50		48			46											40	39									35	34	33					
						73																																				
SALEABLE	NOT APPLICABLE	34566-3953	0	C	BLUE	72			70		68			66																												
						52	51			48	47	46		44																												
						73																																				
SALEABLE	NOT APPLICABLE	34566-3963	0	C	BLUE	72			70		68	67	66					63	62																							
						52	51			48	47	46		44																									34	33		
						73																																				
SALEABLE	NOT APPLICABLE	34566-3973	0	C	BLUE	72			70		68	67																														
						52	51			48	47	46		44																												
						73																																				
SALEABLE	NOT APPLICABLE	34566-3983	0	A	BLACK		71	70	69					64	63			60	59	58	57	56	55	54	53																	
						52	51		49					45	44	43	42	41	40																				34	18		
						73																																				
SALEABLE	NOT APPLICABLE	34566-3993	0	A	BLACK			70	69							63	62	61	60			58	57	56	55	54	53															
						52	51		49																																	
						73																																				
SALEABLE	NOT APPLICABLE	34566-4013	0	B	ST GRV	72			70		68			66										60	59								55	54	53							
						52			50		48			46												40	39									35	34	33				
						73																																				
SALEABLE	NOT APPLICABLE	34566-4023	0	B	ST GRV	72	71	70			68	67	66						62	61	60	59	58	57	56	55	54	53														
						52	51	50			48	47	46																													
						73																																				
SALEABLE	NOT APPLICABLE	34566-4033	0	C	BLUE	72			70		68																															
						52	51			48	47			44																												
						73																																				
SALEABLE	NOT APPLICABLE	34566-4043	0	A	BLACK		71	70	69					64	63			60							57	56	55	54	53													
						52	51		49					45	44	43	42	41																								
						73																																				
SALEABLE	NOT APPLICABLE	34566-4053	0	A	BLACK	72				69			67	66	65			63																								
									49					44	43	42																										
						73																																				

MX123 52/66/73/80-WAY RECEPTACLE ASSY SEALED PIN OUT SHEET

STATUS	GM PART #	HRNS CONN ASSY			TPA	GROMMET CAP																								
		MATERIAL/PART	WIRE DRESS OPTION	KEY OPTION Fp	COLOR OPTION Fp	NUMBERS INDICATE CAVITIES OPEN FOR CIRCUITS																								
		NUMBER				Fp																								
SALEABLE	NOT APPLICABLE	34566-4063	0	B	ST GRY					68	67			64					59	58					54					
SALEABLE	NOT APPLICABLE	34566-4073	0	A	BLACK	72			70					66			63	62			59		57	56	55		53			
						52	51					46		44		42		40	39			37	36			34	33			
SALEABLE	NOT APPLICABLE	34566-4083	0	C	BLUE	72			70					68				63	62			59	58	57			53			
						52	51					48	47			44		42		40	39	38	37	36			34	33		
SALEABLE	NOT APPLICABLE	34566-4093	0	A	BLACK		71	70	69					67			64	63			60			57	56	55	54	53		
						52	51		49				47		45	44	43	42	41							37	36		34	
SALEABLE	NOT APPLICABLE	34566-4113	0	B	ST GRY									68	67			64									58			
SALEABLE	NOT APPLICABLE	34566-4123	9	A	BLACK	72				69				67	66	65		63			60			57	56			53		
									49				47	46		44	43	42		40						37	36	35		33
SALEABLE	NOT APPLICABLE	34566-4133	9	B	ST GRY									68	67			64					59	58				54		
SALEABLE	NOT APPLICABLE	34566-4143	0	B	ST GRY									68	67			64					59	58				54		
SALEABLE	NOT APPLICABLE	34566-4153	0	B	ST GRY	72			70					68						60	59						55	54	53	
						52		50				48		46		44				40	39							35	34	33
SALEABLE	NOT APPLICABLE	34566-4163	0	B	ST GRY	72			70					68						60	59							55	54	53
						52		50				48		46					40	39								35	34	33
SALEABLE	NOT APPLICABLE	34566-4173	0	A	BLACK	72	71	70	69							64	63			60	59	58			56	55	54	53		
						52	51		49				47		45	44	43	42	41							38		36		34
SALEABLE	NOT APPLICABLE	34566-4183	0	C	BLUE	72			70					68				63	62			59	58	57				53		
						52	51					48	47	46		44		42		40	39								34	33
SALEABLE	NOT APPLICABLE	34566-4193	0	C	BLUE		71		69							65	64			61	60			58		56	55	54		
								50	49						45		43		41							38	37	36	35	
SALEABLE	NOT APPLICABLE	34566-4213	0	A	BLACK	72	71							68	67	66	65	64			60	59	58							
								50																						
SALEABLE	NOT APPLICABLE	34566-4223	0	A	BLACK	72	71							68	67	66	65	64			60	59								
								50																						

MX123 52/66/73/80-WAY RECEPTACLE ASSY SEALED PIN OUT SHEET

STATUS	GM PART #	HRNS CONN ASSY			TPA	GROMMET CAP																				
		MATERIAL/PART	WIRE DRESS OPTION	KEY OPTION Fp		COLOR OPTION Fp	NUMBERS INDICATE CAVITIES OPEN FOR CIRCUITS																			
		NUMBER					Fp																			
SALEABLE	NOT APPLICABLE	34566-4233	0	B	ST GRY				69					65	64	63										
									49					45	44	43							23	22	21	20
						73																				
SALEABLE	NOT APPLICABLE	34566-4243	0	A	BLACK			51	50					47	46											
						73																				
SALEABLE	NOT APPLICABLE	34566-4253	0	A	BLACK			51	50					47	46	45										
						73																				
SALEABLE	NOT APPLICABLE	34566-4263	0	B	ST GRY	72	71	70	69	68				65	64											
						52	51																			
						73																				
SALEABLE	NOT APPLICABLE	34566-4273	0	B	ST GRY	72	71	70	69	68	67	66	65	64												
						52	51																			
						73																				
SALEABLE	NOT APPLICABLE	34566-4283	0	A	BLACK				70	69																
						52	51			49								44	43	42	41					
						73																				
SALEABLE	NOT APPLICABLE	34566-4293	0	B	ST GRY									67	66											
						73																				
SALEABLE	NOT APPLICABLE	34566-4313	0	B	ST GRY																					
						73																				
SALEABLE	NOT APPLICABLE	34566-4323	0	B	ST GRY	72			70					68												
						52			50																	
						73																				
SALEABLE	NOT APPLICABLE	34566-4333	0	A	BLACK	72	71	70	69					67												
						52	51			49																
						73																				
SALEABLE	NOT APPLICABLE	34566-4343	0	A	BLACK	72	71	70	69																	
						52	51			49																
						73																				
SALEABLE	NOT APPLICABLE	34566-4353	0	C	BLUE	72			70																	
						52	51																			
						73																				
SALEABLE	NOT APPLICABLE	34566-4363	0	A	BLACK				70	69																
						52	51			49																
						73																				
SALEABLE	NOT APPLICABLE	34566-4373	0	A	BLACK				70	69																
						52	51			49																
						73																				
SALEABLE	NOT APPLICABLE	34566-4383	0	H	ST GRY		79																			
							59																			
						73																				

MX123 52/66/73/80-WAY RECEPTACLE ASSY SEALED PIN OUT SHEET

STATUS	GM PART #	HRNS CONN ASSY			TPA	GROMMET CAP																						
		MATERIAL/PART	WIRE DRESS OPTION	KEY OPTION Fp	COLOR OPTION Fp	NUMBERS INDICATE CAVITIES OPEN FOR CIRCUITS																						
		NUMBER				Fp																						
SALEABLE	NOT APPLICABLE	34566-4393	0	G	BLUE			78	77		75	74		72		70	69		67		65	64	63	62				
						60		58	57		55	54		52	51	50	49		47		45							
						40		38	37					33	32	31				27	26	25	24					
						20		18	17									10	9	8		6	5			3	2	1
SALEABLE	NOT APPLICABLE	34566-4413	0	B	ST GRAY									63			59	58	57	56	55		53					
								50	49	48		46		43			39	38	37	36	35	34	33					
						73						29		27				23	22	21						18		
										16	15	14							7	6	5	4	3					
SALEABLE	NOT APPLICABLE	34566-4423	9	C	BLUE	72		70		68	67	66		63	62		59		57					53				
						52	51			48	47	46		44		42		40	39	38	37	36			34	33		
						73						32		30			27	26	25	24		22	21					
										15	14					10	9	8		6	5	4					2	
SALEABLE	NOT APPLICABLE	34566-4433	9	A	BLACK			70	69					63	62	61	60		58	57	56	55	54	53				
						52	51	50	49				44	43	42	41	40			37	36				34	33		
						73						32			29	28	27	26								19	18	
										16	15	14	13	12	11	10											3	
SALEABLE	NOT APPLICABLE	34566-4443	9	A	BLACK					67	66																	
										48	47					41												
						73						32	31	30	29		27	26	25			22	21			19	18	17
										16	15	14	13															1
SALEABLE	NOT APPLICABLE	34566-4453	0	A	BLACK	72	71	70	69	68			65	64	63	62	61	60	59	58	57	56	55	54	53			
						52	51	50	49	48		46	45	44	43	42	41	40	39	38	37	36	35	34	33			
						73									28				24	23						20		
															12	11											2	1
SALEABLE	NOT APPLICABLE	34566-4463	9	B	ST GRAY									63										53				
										48	47		45		43	42		39							35	34	33	
						73											11									19		
																												1
SALEABLE	NOT APPLICABLE	34566-4473	0	B	ST GRAY								64	63	62		59	58						53				
										47		45		43	42		39								35	34	33	
						73											26	25		23	22							
																											3	1
SALEABLE	NOT APPLICABLE	34566-4483	9	C	BLUE	72		70		68	67	66		63	62		59	58	57	56	55			53				
						52	51		49	48	47	46		44		40	39	38	37	36					34	33		
						73						32		30			27	26	25	24	23	22	21	20	19	18	17	
												15	14	13			10	9	8	7	6	5	4	3	2	1		
SALEABLE	NOT APPLICABLE	34566-4493	9	A	BLACK	72	71	70	69		67			64	63	62	61	60	59	58	57	56	55	54	53			
						52	51	50	49	48	47		45	44	43	42	41	40	39		37	36			34			
						73						32		30	29	28	27	26		24	23		21			19	18	17
										16	15	14	13	12	11	10			8			5				3	2	1
SALEABLE	NOT APPLICABLE	34566-4513	9	B	ST GRAY	72	71	70		68	67	66				62	61	60	59	58	57	56	55	54	53			
						52	51	50		48	47	46				42	41	40	39	38	37	36	35	34	33			
						73						32	31	30	29	28	27	26	25	24	23					19	18	17
										16	15	14	13			10		8	7							3	2	1
SALEABLE	NOT APPLICABLE	34566-4523	0	G	BLUE			78	77		75	74		72		70	69		67		65	64	63	62				
						60		58	57		55	54		52	51	50	49		47		45							
						40		38	37						33	32	31				27	26	25	24				
						20		18	17										10	9	8		6	5			3	2
SALEABLE	NOT APPLICABLE	34566-4533	0	A	BLACK	72			69		67		65		63		60			57	56				53			
									49		47			44	43			40			37	36	35			33		
						73								31	30	29	28			24			21	20				17
										16	15	14	13			11	10						5	4	3	2	1	
SALEABLE	NOT APPLICABLE	34566-4543	0	B	ST GRAY					68	67			64	63			58	57			55		53				
												46	45		43					38	37			35				
						73						32		30	29	28	27					22	21			19		17
															12		10											1
SALEABLE	NOT APPLICABLE	34566-4553	0	B	ST GRAY					68	67			64	63			58	57					53				
												46	45		43					38	37							
						73						32		30	29	28	27					22	21					17
																12		10										

MX123 52/66/73/80-WAY RECEPTACLE ASSY SEALED PIN OUT SHEET

STATUS	GM PART #	HRNS CONN ASSY			TPA	GROMMET CAP																							
		MATERIAL/PART	WIRE DRESS OPTION	KEY OPTION Fp	COLOR OPTION Fp	NUMBERS INDICATE CAVITIES OPEN FOR CIRCUITS																							
		NUMBER				Fp																							
SALEABLE	NOT APPLICABLE	34566-4563	0	B	ST GRAY					68	67			64	63					58			55		53				
												32		46	45	28	27							38			35		17
						73										12		10											1
SALEABLE	NOT APPLICABLE	34566-4573	0	B	ST GRAY					68	67			64	63					58			55		53				
														46	45	28	27							38			35		17
						73										12		10											1
SALEABLE	NOT APPLICABLE	34566-4583	0	B	ST GRAY					68	67			64	63					58			55		53				
														46	45	28	27							38			35		17
						73										12		10											1
SALEABLE	NOT APPLICABLE	34566-4593	0	B	ST GRAY					68	67			64	63					58			55		53				
														46	45	28	27							38			35		17
						73										12		10											1
SALEABLE	NOT APPLICABLE	34566-4613	0	A	BLACK	72			69			67	66	65		63			60			57	56			53			
									49			47			44	43	42		40				37	36	35			33	
						73										31	30	29	28	27	26		24			21	20		
SALEABLE	NOT APPLICABLE	34566-4623	0	B	ST GRAY	72		70				68		66				60	59						55	54	53		
						52		50				48		46					40	39							35	34	33
						73										32	31	30	29	28	27	26	25	24	23				
SALEABLE	NOT APPLICABLE	34566-4633	0	A	BLACK		71	70	69					64	63			60	59	58			56	55	54	53			
						52	51		49			47		45	44	43	42	41					38		36		34		
						73										32		30		28		26				21		19	18
SALEABLE	NOT APPLICABLE	34566-4643	0	B	ST GRAY	72		70				68		66				60	59						55	54	53		
						52		50				48		46					40	39							35	34	33
						73										32	31	30	29	28	27	26	25	24	23				
SALEABLE	NOT APPLICABLE	34566-4653	0	A	BLACK		71	70	69					64	63			60	59	58			56	55	54	53			
						52	51		49			47		45	44	43	42	41					38		36		34		
						73										32		30		28		26				21		19	18
SALEABLE	NOT APPLICABLE	34566-4663	0	A	BLACK		71	70	69					64	63			60	59	58			56	55	54	53			
						52	51		49			47		45	44	43	42	41					38		36		34		
						73										32		30		28		26				21		19	18
SALEABLE	NOT APPLICABLE	34566-4673	0	A	BLACK							67	66																
												47						41											
						73										32	31	30	29		27	26	25		22	21		19	18
SALEABLE	NOT APPLICABLE	34566-4683	9	B	ST GRAY	72	71	70	69	68	67	66	65	64		62	61	60	59	58	57	56	55	54					
						52	51	50	49			46		44			41	40		38	37	36					18	17	
						73										32	31	30	29	28	27		25	24		21	20		18
SALEABLE	NOT APPLICABLE	34566-4693	0	B	ST GRAY	72	71	70	69	68	67	66	65			61	60			57	56	55	54						
						52	51	50	49	48		46		44			41	40		38	37	36					18	17	
						73										32	31	30	29	28	27		24		21	20	19	18	17
SALEABLE	NOT APPLICABLE	34566-4713	0	A	BLACK		71	70	69			67		64	63			60	59			56	55	54	53				
						52	51		49			47		45	44	43	42	41					38		36		34		
						73										32		30		28		26				21		19	18
SALEABLE	NOT APPLICABLE	34566-4723	0	A	BLACK	72	71	70	69					64	63			60	59	58			56	55	54	53			
						52	51		49			47		45	44	43	42	41					38		36		34		
						73										32		30		28		26				21		19	18

MX123 52/66/73/80-WAY RECEPTACLE ASSY SEALED PIN OUT SHEET

STATUS	GM PART #	HRNS CONN ASSY			TPA	GROMMET CAP																							
		MATERIAL/PART	WIRE DRESS OPTION	KEY OPTION Fp	COLOR OPTION Fp	NUMBERS INDICATE CAVITIES OPEN FOR CIRCUITS																							
		NUMBER				Fp																							
SALEABLE	NOT APPLICABLE	34566-4733	0	A	BLACK	72	71	70	69					64	63			60	59	58		56	55	54	53				
						52	51		49		47		45	44	43	42	41						21		36		19	18	
						73				32		30		28		26								5				3	
SALEABLE	NOT APPLICABLE	34566-4743	9	A	BLACK	72	71	70	69		67		65	64	63	62	61	60	59	58	57	56	55	54	53				
						52	51	50	49	48	47		45	44	43	42	41	40	39			37	36			34			
						73				32		30	29	28	27	26		24	23				21				19	18	17
SALEABLE	NOT APPLICABLE	34566-4753	0	B	ST GRAY					68	67			64						58									
											46	45										38							
						73				32		30	29	28	27							22						17	
SALEABLE	NOT APPLICABLE	34566-4763	0	B	ST GRAY					68	67			64															
											46	45																	
						73				32		30	29	28	27													17	
SALEABLE	NOT APPLICABLE	34566-4773	0	B	ST GRAY					68	67			64					59	58				54					
											46	45									39	38							
						73				32		30	29	28	27						23	22						17	
SALEABLE	NOT APPLICABLE	34566-4783	0	B	ST GRAY					68	67			64	63									55					
											46	45			43											35			
						73				32		30	29	28	27							22					19	17	
SALEABLE	NOT APPLICABLE	34566-4793	0	B	ST GRAY					68	67			64	63														
											46	45			43														
						73				32		30	29	28	27							22						17	
SALEABLE	NOT APPLICABLE	34566-4813	9	B	ST GRAY					68	67			64					59	58					54				
											46	45									39	38							
						73				32		30	29	28	27						23	22						17	
SALEABLE	NOT APPLICABLE	34566-4823	0	C	BLUE					68	67	66	65	64						59	58	57		55	54	53			
							51	50	49	48		46	45		43	42	41	40	39	38	37					35		33	
						73				32	31	30				26		24	23	22						20			
SALEABLE	NOT APPLICABLE	34566-4833	0	C	BLUE				70	68	67	66			63	62					59		57			53			
						52	51			48	47	46		44		42		40	39						37	36		34	33
						73				32		30			27	26	25	24				22	21						
SALEABLE	NOT APPLICABLE	34566-4843	0	C	BLUE				70	68	67	66			63	62					59		57			53			
						52	51			48	47	46		44		42		40	39	38	37	36					34	33	
						73				32		30			27	26	25	24				22	21						
SALEABLE	NOT APPLICABLE	34566-4853	0	C	BLUE				70	68		66			63	62					59		57	56	55		53		
						52	51			48	47	46		44		42		40	39						37	36		34	33
						73				32		30			27	26	25	24				22	21				19	18	
SALEABLE	NOT APPLICABLE	34566-4863	0	C	BLUE				70	68		66			63	62					59		57			53			
						52	51			48	47	46		44		42		40	39	38	37	36					34	33	
						73				32		30			27	26	25	24				22	21						
SALEABLE	NOT APPLICABLE	34566-4873	0	C	BLUE				70	68		66			63	62					59		57			53			
						52	51			48	47	46		44		42		40	39						37	36		34	33
						73				32		30			27	26	25	24				22	21						
SALEABLE	NOT APPLICABLE	34566-4883	9	A	BLACK				69				67		65		63				60		57	56		53			
									49		47	46		44	43									37	36	35		33	
						73				32		30	29	28							24				21	20			17
						16	15	14	13											5	4	3	2	1					

MX123 52/66/73/80-WAY RECEPTACLE ASSY SEALED PIN OUT SHEET

STATUS	GM PART #	HRNS CONN ASSY			TPA	GROMMET CAP																								
		MATERIAL/PART	WIRE DRESS OPTION	KEY OPTION Fp	COLOR OPTION Fp	NUMBERS INDICATE CAVITIES OPEN FOR CIRCUITS																								
		NUMBER				Fp																								
SALEABLE	NOT APPLICABLE	34566-4893	9	B	ST GRY					68	67			64	63					58			55							
SALEABLE	NOT APPLICABLE	34566-4913	9	B	ST GRY					68	67			64	63					58	57		55		53					
SALEABLE	NOT APPLICABLE	34566-4923	9	A	BLACK	72			69		67		65		63		60		57	56					53					
									49		47		44	43		40		37	36	35										
SALEABLE	NOT APPLICABLE	34566-4933	0	C	BLUE	72			70		68	67	66		63	62		59	57						53					
						52	51			48	47	46		44		40	39		37	36	35	34	33							
SALEABLE	NOT APPLICABLE	34566-4943	0	A	BLACK				70	69	68	67			63	62	61	60	59	58	57	56	55	54	53					
						52	51	50	49					44	43	42	41		39	38	37	36								
SALEABLE	NOT APPLICABLE	34566-4953	0	B	ST GRY	72	71	70	69		68	67	66	65	64	63			59						53					
						52	51	50	49	48	47	46	45	44	43			39									34	33		
SALEABLE	NOT APPLICABLE	34566-4963	9	A	BLACK	72			69		67	66	65		63		60		57	56					53					
									49		47	46		44	43	42	40		37	36	35									
SALEABLE	NOT APPLICABLE	34566-4973	9	B	ST GRY					68	67			64				59	58						54					
SALEABLE	NOT APPLICABLE	34566-4983	0	B	ST GRY	72			70		68		66				60	59							55	54	53			
						52		50		48		46		44		40	39										35	34	33	
SALEABLE	NOT APPLICABLE	34566-4993	0	A	BLACK	72	71	70	69		67			64	63		60	59							56	55	54	53		
						52	51		49		47		45	44	43	42	41										36		34	
SALEABLE	NOT APPLICABLE	34566-5013	9	B	ST GRY					68	67			64	63			59	58						55	54				
SALEABLE	NOT APPLICABLE	34566-5023	0	C	BLUE	72			70		68	67			63	62		59	57							53				
						52	51			48	47	46		44		42	40	39		37	36						34	33		
SALEABLE	NOT APPLICABLE	34566-5033	0	A	BLACK				70	69					63	62	61	60		58	57	56	55	54	53					
						52	51		49					44	43	42	41													
SALEABLE	NOT APPLICABLE	34566-5043	0	A	BLACK																									
SALEABLE	NOT APPLICABLE	34566-5053	0	B	ST GRY																									

MX123 52/66/73/80-WAY RECEPTACLE ASSY SEALED PIN OUT SHEET

STATUS	GM PART #	HRNS CONN ASSY			TPA	GROMMET CAP																						
		MATERIAL/PART	WIRE DRESS OPTION	KEY OPTION Fp	COLOR OPTION Fp	NUMBERS INDICATE CAVITIES OPEN FOR CIRCUITS																						
		NUMBER				Fp																						
SALEABLE	NOT APPLICABLE	34566-5063	9	H	ST GRAY	80	79	78	77	76	75	74	73	72	71	70	69	68	67	66	65	64	63	62	61			
						60	59	58	57	56	55	54	53	52	51	50	49	48	47	46	45	44	43	42	41	40		
						40	39	38	37		35	34	33	32		30	29		27	26		24	23	22	21			
						20	19	18	17			14	13	12	11	10	9	8		6	5			3	2			
SALEABLE	NOT APPLICABLE	34566-5073	9	A	BLACK	72	71	70	69	68	67	66	65	64	63	62	61	60	59	58	57	56	55	54	53			
						52	51	50	49	48	47	46	45	44	43	42	41	40	39	38	37	36		34	33			
						73				32	31	30	29	28	27	26		24	23	22	21	20	19	18				
						73				16			13	12	11	10	9	8										1
SALEABLE	NOT APPLICABLE	34566-5083	9	A	BLACK			70	69						63	62	61	60		58	57	56	55	54	53			
						52	51		49				44	43	42	41			38	37					34			
						73				32			29	28	27	26			23						19	18		
						73				16	15		13	12	11	10		8							3			
SALEABLE	NOT APPLICABLE	34566-5093	0	B	ST GRAY	72	71	70	69	68	67	66	65	64	63	62	61	60	59	58	57	56	55	54	53			
						52	51	50	49	48	47	46	45	44	43	42	41	40	39	38	37	36	35	34	33			
						73							29		27				23	22	21						18	
						73				16	15	14	13						8	7	6	5	4	3				
SALEABLE	NOT APPLICABLE	34566-5113	0	A	BLACK	72	71	70	69	68	67	66		64	63	62		60	59				55	54	53			
						52			49	48				44	43	42	41	40	39					35	34	33		
						73				32			29		27		25	24	23						19	18	17	
						73				16			13	12	11	10		9	8	7	6	5	4	3	2	1		
SALEABLE	NOT APPLICABLE	34566-5123	9	C	BLUE	72		70		68	67	66			63	62		59		57				53				
						52	51			48	47	46	45	44				40	39	38	37	36			34	33		
						73				32		30			27	26	25	24		22	21	20						
						73					15	14				10	9	8		6	5	4			2			
SALEABLE	NOT APPLICABLE	34566-5133	9	B	ST GRAY	72	71	70		68	67	66			62	61	60	59	58	57	56	55	54	53				
						52	51	50		48	47	46			42	41	40	39	38	37	36	35	34	33				
						73				32	31	30	29	28	27	26	25	24	23									
						73				16	15	14	13					10	9	8								
SALEABLE	NOT APPLICABLE	34566-5143	0	C	BLUE	72		70		68	67	66			63	62		59		57				53				
						52	51			48	47	46		44		42		40	39		37	36			34	33		
						73				32		30				26	25	24		22	21	20						
						73					15	14				10	9	8		6	5	4			2			
SALEABLE	NOT APPLICABLE	34566-5153	0	A	BLACK			70	69						63	62	61	60		58	57	56	55	54	53			
						52	51		49		47			44	43	42	41			37	36	35	34	33				
						73				32			29	28	27	26	25							19	18			
						73				16	15		13	12	11	10									3			
SALEABLE	NOT APPLICABLE	34566-5163	9	A	BLACK	72			69		67		65		63			60			57	56			53			
									49		47			44	43			40			37	36	35			33		
						73					31	30	29	28				24			21	20					17	
						73				16	15	14			11	10				5	4	3	2	1				
SALEABLE	NOT APPLICABLE	34566-5173	9	B	ST GRAY					68	67			64	63			59		57								
												46	45		43			39		37								
						73				32		30	29	28	27					21								
						73										10				6	5	4	3					
SALEABLE	NOT APPLICABLE	34566-5183	0	B	ST GRAY					68	67			64				59	58					54				
												46	45	44				39	38									
						73				32		30	29	28	27				23	22							17	
						73								12		10		8										1
SALEABLE	NOT APPLICABLE	34566-5193	0	A	BLACK			70	69						63	62	61	60		58	57	56	55	54	53			
						52	51		49				44	43	42	41				37	36			34				
						73				32			29	28	27	26								19	18	17		
						73				16	15		13	12	11	10								3	2	1		
SALEABLE	NOT APPLICABLE	34566-5213	0	A	BLACK	72	71	70	69	68	67	66	65	64	63	62	61	60	59				55	54	53			
						52			49	48				44	43	42	41	40	39					35	34	33		
						73				32			29		27		25	24	23					19	18	17		
						73				16			13	12	11		9	8	7	6	5	4	3	2	1			
SALEABLE	NOT APPLICABLE	34566-5223	0	C	BLUE	72		70			67	66			63	62			59		57				53			
						52	51			48		46		44		42		40	39						34	33		
						73				32		30			27	26	25			22	21							
						73					15	14				10	9			6	5	4						

MX123 52/66/73/80-WAY RECEPTACLE ASSY SEALED PIN OUT SHEET

STATUS	GM PART #	HRNS CONN ASSY			TPA	GROMMET CAP																						
		MATERIAL/PART	WIRE DRESS OPTION	KEY OPTION Fp	COLOR OPTION Fp	NUMBERS INDICATE CAVITIES OPEN FOR CIRCUITS																						
		NUMBER				Fp																						
SALEABLE	NOT APPLICABLE	34566-5233	0	C	BLUE	72		70		68	67	66			63	62			59		57	56	55		53			
						52	51			48	47	46		44		42		40	39	38		22	21		19	18	34	33
						73						32		30				26	25			6	5	4	3			
SALEABLE	NOT APPLICABLE	34566-5243	0	C	BLUE	72	71	70	69	68	67	66	65		63	62	61		59	58	57	56	55	54	53			
							51	50	49	48		46	45	44	43	42	41	40	39	38		36	35	34	33			
						73						31	30	29	28	27	26	25			22	21	20	19	18	17		
SALEABLE	NOT APPLICABLE	34566-5253	0	B	ST GRAY						67	66			63			59	58	57	56	55		53				
								50	49	48		46	45		43			39	38	37	36	35	34	33				
						73								29	27				23	22	21			18				
SALEABLE	NOT APPLICABLE	34566-5263	0	B	ST GRAY						67	66			63			59	58	57	56	55		53				
								50	49	48		46	45		43			39	38	37	36	35	34	33				
						73						16	15	14	13				8	7	6	5	4	3				
SALEABLE	NOT APPLICABLE	34566-5273	0	A	BLACK			70	69						63	62	61	60		58	57	56	55	54	53			
						52	51		49				44	43	42	41				37	36		34					
						73						32			29	28	27	26		23				19	18			
SALEABLE	NOT APPLICABLE	34566-5283	0	C	BLUE			70		68	67	66			63	62			59		57	56	55	54	53			
						52	51			48	47	46		44		42		40	39						34	33		
						73						32		30				26	25			22	21		19	18		
SALEABLE	NOT APPLICABLE	34566-5293	0	A	BLACK			70	69						63	62	61	60		58	57	56	55	54	53			
						52	51		49				44	43	42	41	40			37	36		34					
						73						32			29	28	27	26					19	18	17			
SALEABLE	NOT APPLICABLE	34566-5313	0	C	BLUE			70		68	67	66			63	62			59		57	56	55		53			
						52	51			48	47	46		44		42		40	39	38	37	36		34	33			
						73						32		30			27	26	25	24		22	21		19	18		
SALEABLE	NOT APPLICABLE	34566-5323	0	G	BLUE	80		78	77		75	74	73	72		70	69		67		65	64	63	62				
						60		58	57		55	54		52	51	50	49		47		45							
						40		38	37				33	32	31				27	26	25	24						
SALEABLE	NOT APPLICABLE	34566-5333	0	A	BLACK			70	69						63	62	61	60		58	57	56	55	54	53			
						52	51		49				44	43	42	41	40			37	36		34					
						73						32			29	28	27	26					19	18	17			
SALEABLE	NOT APPLICABLE	34566-5343	0	B	ST GRAY					68	67			64			59	58						54				
											46	45					39	38										
						73						32		30	29	28	27			23	22						17	
SALEABLE	NOT APPLICABLE	34566-5353	9	B	ST GRAY					68	67			64	63			59	58			55	54					
											46	45	44	43			39	38			35	34						
						73						32		30	29	28	27			23	22			19			17	
SALEABLE	NOT APPLICABLE	34566-5363	0	C	BLUE			70		68		66			63	62			59		57			53				
						52	51			48	47	46		44		42		40	39	38					34	33		
						73						32		30				26	25			22	21					
SALEABLE	NOT APPLICABLE	34566-5373	0	C	BLUE			70		68		66			63	62			59		57			53				
						52	51			48	47	46		44		42		40	39						34	33		
						73						32		30				26	25			22	21					
SALEABLE	NOT APPLICABLE	34566-5383	0	C	BLUE			70		68		66			63	62			59		57			53				
						52	51			48	47	46		44		42		40	39			37	36		34	33		
						73						32		30				26	25	24		22	21					

MX123 52/66/73/80-WAY RECEPTACLE ASSY SEALED PIN OUT SHEET

STATUS	GM PART #	HRNS CONN ASSY			TPA	GROMMET CAP																													
		MATERIAL/PART	WIRE DRESS OPTION	KEY OPTION Fp		COLOR OPTION Fp	NUMBERS INDICATE CAVITIES OPEN FOR CIRCUITS																												
		NUMBER					Fp																												
SALEABLE	NOT APPLICABLE	34566-5393	0	A	BLACK	52	51	70	69	49							44	63	43	42	41						56	55	54	53					
						73				32							28			26			23			21			19	18					
											16						12			10			8			5			3						
SALEABLE	NOT APPLICABLE	34566-5413	0	A	BLACK	52	51	70	69	49							44	63	43	42	41						56	55	54	53					
						73				32							28			26			23			21			19	18					
											16	15					12			10			8			5			3						
SALEABLE	NOT APPLICABLE	34566-5423	0	A	BLACK	52	51	70	69	49							44	63	43	42	41						56	55	54	53					
						73				32							28			26			23			21			19	18					
											16						12			10			8			5			3						
SALEABLE	NOT APPLICABLE	34566-5433	9	B	ST GRY						68	67				64									59	58				54					
						73				32			46	45			28	27							39	38					17				
																			10						6						1				
SALEABLE	NOT APPLICABLE	34566-5443	9	B	ST GRY						68	67				64									59	58				54					
						73				32			46	45			28	27							39	38					17				
											15								10						6						1				
SALEABLE	NOT APPLICABLE	34566-5453	0	B	ST GRY						68	67				64									59	58				54					
						73				32			46	45			28	27							39	38					17				
											15								10						6						1				
SALEABLE	NOT APPLICABLE	34566-5463	0	A	BLACK	72		70								63																			
						52			49												41														
						73						31	30				28	27	26					23			20	19							
											16	15	14				12			10				6											
SALEABLE	NOT APPLICABLE	34566-5473	0	A	BLACK	72	71	70			68	67	66	65	64	63	62			60	59					56				53					
						52	51				48	47	46	45	44	43	42	41	40																
						73						31	30	29	28	27	26	25	24	23					20	19				17					
											16	15	14				12	11	10					6											
SALEABLE	NOT APPLICABLE	34566-5483	0	B	ST GRY	72		70			68		66		64	63				60	59							55	54	53					
						52		50			48		46							40	39							35	34	33					
						73				32	31	30	29	28	27	26	25	24							20					17					
											16								10					8			5	4		2	1				
SALEABLE	NOT APPLICABLE	34566-5493	0	A	BLACK	72		70	69							63				60	59	58	57	56	55	54	53								
						52	51		49																										
						73				32							28			26										19	18	17			
											16	15					12			10										3	2	1			
SALEABLE	NOT APPLICABLE	34566-5513	9	B	ST GRY						68	67				64	63								58				55						
						73				32			46	45			43								38				35						
																									22						19		17		
																			10												1				
SALEABLE	NOT APPLICABLE	34566-5523	9	A	BLACK	72			69				67	66	65					60						57	56			53					
									49					47						40											33				
						73						31	30	29	28	27	26			24											21	20	17		
											16	15	14	13				11	10												5	4	3	2	1
SALEABLE	NOT APPLICABLE	34566-5533	9	B	ST GRY						68	67				64									59	58					54				
						73				32			46	45												39	38								
																									23	22							17		
																			10	9	8				6								1		
SALEABLE	NOT APPLICABLE	34566-5543	9	A	BLACK						68	67				64									59	58					54				
						73				32			46	45												39	38								
																									23	22							17		
																			12						10								1		
SALEABLE	NOT APPLICABLE	34566-5553	9	B	ST GRY						68	67				64									59	58					54				
						73				32			46	45												39	38								
																									23	22							17		
																			12						10								1		

MX123 52/66/73/80-WAY RECEPTACLE ASSY SEALED PIN OUT SHEET

STATUS	GM PART #	HRNS CONN ASSY			TPA	GROMMET CAP																							
		MATERIAL/PART	WIRE DRESS OPTION	KEY OPTION Fp	COLOR OPTION Fp	NUMBERS INDICATE CAVITIES OPEN FOR CIRCUITS																							
		NUMBER				Fp																							
SALEABLE	NOT APPLICABLE	34566-5563	0	A	BLACK	72	71	70	69					64	63			60	59	58	57	56	55	54	53				
						52	51		49	48	47		45	44	43	42	41							37	36		34	33	
						73				32		30		28		26										19	18	17	
SALEABLE	NOT APPLICABLE	34566-5573	0	C	BLUE	72		70		68		66			63	62			59	58	57	56	55		53				
						52	51		49	48	47	46		44		42		40	39	38	37	36			34	33			
						73				32		30				26	25	24	23	22	21	20	19	18	17				
SALEABLE	NOT APPLICABLE	34566-5583	0	B	ST GRAY	72		70		68		66		64	63			60	59					55	54	53			
						52		50		48		46					40	39							35	34	33		
						73				32	31	30	29	28	27	26	25	24	23			20						17	
SALEABLE	NOT APPLICABLE	34566-5593	0	C	BLUE	72		70		68		66			63	62			59		57				55	54	53		
						52	51			48	47	46		44		42		40	39								34	33	
						73				32		30				26	25		23	22	21								
SALEABLE	NOT APPLICABLE	34566-5613	0	C	BLUE	72		70		68		66			63	62			59	58	57				55	54	53		
						52	51			48	47			44		42		40	39		37	36					34	33	
						73				32		30			27	26	25	24	23	22	21	20						17	
SALEABLE	NOT APPLICABLE	34566-5623	0	C	BLUE	72		70		68		66			63	62			59		57				55	54	53		
						52	51			48	47			44		42		40	39		37	36					34	33	
						73				32		30			27	26	25	24	23	22	21	20						17	
SALEABLE	NOT APPLICABLE	34566-5633	0	B	ST GRAY	72										62	61												
						52				48		46		44	43		41	40								20	19	18	
						73				16	15	14														4			
SALEABLE	NOT APPLICABLE	34566-5643	0	B	ST GRAY	72										62	61												
						52				48		46			43		41	40									20	19	18
						73				16	15	14															4		
SALEABLE	NOT APPLICABLE	34566-5653	0	A	BLACK	72	71	70	69	68		66	65	64	63		61	60			57	56			54	53			
						52	51	50	49	48		46	45	44	43		41	40	39	38	37	36					34	33	
						73				32	31	30	29	28		26	25		23	22	21								17
SALEABLE	NOT APPLICABLE	34566-5663	0	C	BLUE				69		67	66	64		62		60			57			55	54					
						52	51	50		48		46	45	44		42						37				35	34	33	
						73				32	31			28	27	26											19	18	
SALEABLE	NOT APPLICABLE	34566-5673	0	C	BLUE				69		67	66	64		62		60			57			55	54					
						52	51	50	49	48		46	45	44		42		41				37				35	34	33	
						73				32	31			28	27	25												18	
SALEABLE	NOT APPLICABLE	34566-5683	0	B	ST GRAY	72										62	61												
						52				48		46		44	43		41	40								20	19	18	
						73				16		14														4			
SALEABLE	NOT APPLICABLE	34566-5693	0	A	BLACK	72	71	70	69	68		66	65	64	63		61	60			57	56			54	53			
						52	51	50	49	48		46	45	44	43		41	40	39	38	37	36					34	33	
						73				32	31	30	29	28		26	25		23	22	21	20							
SALEABLE	NOT APPLICABLE	34566-5713	0	C	BLUE				69		67	66	64		62		60			57			55	54					
						52	51	50		48		46	45	44		42						37				35	34	33	
						73				32	31			28	27	26											19	18	17
SALEABLE	NOT APPLICABLE	34566-5723	0	C	BLUE				69		67	66	64		62		60			57			55	54					
						52	51	50	49	48		46	45	44		42		41				37				35	34	33	
						73				32	31			28	27	25												18	

MX123 52/66/73/80-WAY RECEPTACLE ASSY SEALED PIN OUT SHEET

STATUS	GM PART #	HRNS CONN ASSY			TPA	GROMMET CAP																								
		MATERIAL/PART	WIRE DRESS OPTION	KEY OPTION Fp	COLOR OPTION Fp	NUMBERS INDICATE CAVITIES OPEN FOR CIRCUITS																								
		NUMBER				Fp																								
SALEABLE	NOT APPLICABLE	34566-5733	0	A	BLACK	52	71	70	69						64	63			60	59	58	57	56	55	54	53				
									49					45	44	43	42	41									36			
						73				32				30			28			26									19	18
SALEABLE	NOT APPLICABLE	34566-5743	0	A	BLACK	52	71	70	69						64	63			60	59		57	56	55	54	53				
									49					45	44	43	42	41									36			
						73				32				30			28			26									19	18
SALEABLE	NOT APPLICABLE	34566-5753	0	A	BLACK	52	71	70	69						64	63			60	59		57	56	55	54	53				
									49					45	44	43	42	41									36			
						73				32				30			28			26									19	18
SALEABLE	NOT APPLICABLE	34566-5763	0	C	BLUE	72		70		68					63	62			59	58	57					53				
						52	51			48	47	46		44		42		40	39								36		34	33
						73				32				30			27	26	25	24			22	21	20					
SALEABLE	NOT APPLICABLE	34566-5773	0	C	BLUE	72		70		68					63	62			59	58	57					53				
						52	51			48	47			44		42		40	39								36		34	33
						73				32				30			27	26	25	24			22	21	20					
SALEABLE	NOT APPLICABLE	34566-5783	0	C	BLUE	72		70		68					63	62			59	58	57					53				
						52	51			48	47			44		42		40	39								36		34	33
						73				32				30			27	26	25	24			22	21	20					
SALEABLE	NOT APPLICABLE	34566-5793 SAME AS P/N 34566-4013	0	B	ST GRN	72		70		68							60	59							55	54	53			
						52		50		48		46					40	39									35	34	33	
						73				32	31	30	29	28	27	26	25	24												17
SALEABLE	NOT APPLICABLE	34566-5813	0	B	ST GRN	72		70		68							60	59							55	54	53			
						52		50		48		46					40	39									35	34	33	
						73				32	31	30	29	28	27	26	25	24	23									19	18	17
SALEABLE	NOT APPLICABLE	34566-5823	0	A	BLACK	72		70							63															
						52			49						43		41													
						73					31	30		28	27	26			23									20	19	
SALEABLE	NOT APPLICABLE	34566-5833	0	A	BLACK	72		70							63															
						52			49						43		41													
						73					31	30		28	27	26			23									20	19	
SALEABLE	NOT APPLICABLE	34566-5843	0	H	ST GRN		79																							
							59		57			74	73	72	71			68	67			65	64	63	62	61				
								38				34	33					29	27			25								
SALEABLE	NOT APPLICABLE	34566-5853	0	H	ST GRN		79																							
							59		57			74	73	72	71			68	67			65	64	63	62	61				
								38				34	33					29	27			25								
SALEABLE	NOT APPLICABLE	34566-5863	0	C	BLUE	72		70							63	62			59			57	56	55		53				
						52	51					46		44		42		40	39								36		34	33
						73				32				30				26	25			22	21					19	18	
SALEABLE	NOT APPLICABLE	34566-5873	0	B	ST GRN	72																								
						52				48	47	46		44	43		41	40									20	19	18	
						73				16	15	14																4		
SALEABLE	NOT APPLICABLE	34566-5883	0	B	ST GRN	72										62	61													
						52				48	47	46		44	43		41	40									20	19	18	
						73				16	15	14																4		

MX123 52/66/73/80-WAY RECEPTACLE ASSY SEALED PIN OUT SHEET

STATUS	GM PART #	HRNS CONN ASSY			TPA	GROMMET CAP																					
		MATERIAL/PART	WIRE DRESS OPTION	KEY OPTION Fp	COLOR OPTION Fp	NUMBERS INDICATE CAVITIES OPEN FOR CIRCUITS																					
		NUMBER				Fp																					
SALEABLE	NOT APPLICABLE	34566-5893	0	C	BLUE	52	51	50	69	48	67	66	45	44	62	60	57	55	54	33	34	35	18	19			
						73			32	28	27	26	11	10	9												
						16	15	14	13	12	11	10	9														
SALEABLE	NOT APPLICABLE	34566-5913	0	C	BLUE	52	51	50	49	68	67	66	64	61	60	57	54	33	34	35	18	19	20	21			
						73			32	28	27	26	25	24	23	22	21										
						16	15	14	13	12	11	10	9														
SALEABLE	NOT APPLICABLE	34566-5933	0	C	BLUE	72	71	70		68	67	66		63	62	59	57	56	55	53	34	33					
						52	51			48	47	46	44	42	40	39											
						73			32	30			26	25	23	22	21										
SALEABLE	NOT APPLICABLE	34566-5943	0	C	BLUE	72	71	70		68	67	66		63	62	59	57	56	55	53	34	33					
						52	51		49	48	47	46	44	42	40	39											
						73			32	30			27	26	25		22	21	20								
SALEABLE	NOT APPLICABLE	34566-5953	0	A	BLACK	71	70	69				65	64	63	62	61	60	58	57	56	55	54	53				
						52	51		49	48	47		45	44	43	42	41										
						73			32	30	29	28	27	26		24											
SALEABLE	NOT APPLICABLE	34566-5963	0	B	ST GRAY	72	71	70		68	67	66			61	60	59	58	57	56	55	54	53				
						52	51	50		48	47	46			42	41	40	39	38	37	36	35	34	33			
						73			32	31	30	29	28	27	26	25	24										
SALEABLE	NOT APPLICABLE	34566-5973	0	C	BLUE	72	71	70		68	67	66		63	62	59	57	56	55	53	34	33					
						52	51			48	47	46	44	42	40	39											
						73			32	30			27	26	25		22	21									
SALEABLE	NOT APPLICABLE	34566-5983	0	C	BLUE	52	51	50	69	48	67	66	64	62	60	57	55	54	33	34	35	18	19	20	21		
						73			32	28	27	26	25	24	23	22	21										
						16	15	14	13	12	11	10	9														
SALEABLE	NOT APPLICABLE	34566-5993	0	A	BLACK	71	70	69		67	66	65		63	62	61	60	58	57	56	55	54	53				
						52	51	50	49	48	47		45	44	43	42	41	40	39	37	36	35	34	33			
						73			32	31	30	29	28	27	26	25	24	23									
SALEABLE	NOT APPLICABLE	34566-6013	0	B	ST GRAY	51	50	49	69	48	67	65			61	60	59	58	57	54	53						
						32	31	30	29			43		40	39	37											
						73			16	15	14	13	12	11	10	9	8	7	6	5	4						
SALEABLE	NOT APPLICABLE	34566-6023	0	A	BLACK	72	71	70	69	68	67				60	59	58	57	56	54	53						
						52	51	50	49	48	47		45	44	43			40	39	38	37	36	35	34	33		
						73			32	31	30	29	28			24	23	22	21	20	19						
SALEABLE	NOT APPLICABLE	34566-6033	0	A	BLACK	70	69							63	62	61		58	57	56	55	54	53				
						52	51		49	48	47		44	43	42	41					37	36					
						73			32		29	28	27	26		10											
SALEABLE	NOT APPLICABLE	34566-6043	0	B	ST GRAY	68	67	66	65	64						58	55										
						32	30	29	28	27																	
						73			16							10											
SALEABLE	NOT APPLICABLE	34566-6053	0	B	ST GRAY	72	71	70		48	47	46		43	62	61	40										
						52	51			48	47	46		43	41	40											
						73			16	15	14																
SALEABLE	NOT APPLICABLE	34566-6063	0	C	BLUE	52	51	50	69	48	67	66	64	62	60	57	55	54	33	34	35	18	19	20	21		
						73			32	28	27	26	25	24	23	22	21										
						16	15	14	13	12	11	10	9														

MX123 52/66/73/80-WAY RECEPTACLE ASSY SEALED PIN OUT SHEET

STATUS	GM PART #	HRNS CONN ASSY			TPA	GROMMET CAP																																		
		MATERIAL/PART	WIRE DRESS OPTION	KEY OPTION Fp	COLOR OPTION Fp	NUMBERS INDICATE CAVITIES OPEN FOR CIRCUITS																																		
		NUMBER				Fp																																		
SALEABLE	NOT APPLICABLE	34566-6073	0	C	BLUE	52	51	50	69	48	67	66	64	61	60	57	54	34	33	73																				
						32	28	27	25	18	17																													
						16	15	14	13	12	11	10	9																											
SALEABLE	NOT APPLICABLE	34566-6083	0	C	BLUE	72		70		68	67	66		63	62		59	57		53	73																			
						52	51			48	47	46		44		42		40	39	37	36	34	33																	
						32	30					26	25		22	21																								
SALEABLE	NOT APPLICABLE	34566-6093	0	B	ST GRAY	72		70			67			63	62	61	60	59				73																		
						52						46		43		41	40																							
														27								20	19	18																
SALEABLE	NOT APPLICABLE	34566-6113	0	A	BLACK	72	71	70	69	68		66	65	64	63	62	61	60		58	57	56	55	54	53	73														
						52	51	50	49	48		46	45	44	43	42	41	40	39	38	37	36																		
						32	31	30	29	28	27	26	25		23	22	21	20	19	18																				
SALEABLE	NOT APPLICABLE	34566-6123	0	C	BLUE	52	51	50	69		67	66	64		62		60		57		54				73															
										48		46	45	44		42					37																			
														28	27	26																								
SALEABLE	NOT APPLICABLE	34566-6133	9	C	BLUE	72		70		68	67			63	62		59		57						73															
						52	51			48	47			44		42		40	39	38	37	36																		
										32		30				26	25	24		22	21																			
SALEABLE	NOT APPLICABLE	34566-6173	9	B	ST GRAY						67	66													73															
										48	47					41																								
										32	31	30	29		27	26	25	24		22	21			19	18	17														
SALEABLE	NOT APPLICABLE	34566-6183	9	A	BLACK							66													73															
										48	47					41																								
										32	31	30	29		27	26	25	24		22	21			19	18	17														
SALEABLE	NOT APPLICABLE	34566-6193	9	B	ST GRAY	72	71	70	69	68	67	66	65	64		62	61	60	59	58	57	56	55	54		73														
						52	51	50	49			46		44			41	40		38	37	36																		
						32	31	30	29	28	27	26	25	24			21	20																						
SALEABLE	NOT APPLICABLE	34566-6213	9	A	BLACK																				73															
										48	47					41																								
										32	31	30	29		27	26	25	24		22	21			19	18	17														
SALEABLE	NOT APPLICABLE	34566-6223	9	C	BLUE	72		70		68		66					60	59							73															
						52	51			48	47	46		44				40	39																					
										32		30			27	26	25			22	21	20																		
SALEABLE	NOT APPLICABLE	34566-6233	9	B	ST GRAY	72		70		68		66				60	59									73														
						52		50		48		46				40	39																							
										32	31	30	29	28	27	26	25	24																						
SALEABLE	NOT APPLICABLE	34566-6243	9	A	BLACK		71	70	69				64	63		60	59	58	57	56	55	54	53		73															
						52	51	50	49				45	44	43	42	41		39		37	36																		
										32		30		28		26																								
SALEABLE	NOT APPLICABLE	34566-6253	9	C	BLUE	72		70		68	67	66			62	61	60	59	57	56	55	54	53		73															
						52	51		49	48	47	46		44				40	39		37	36																		
										32		30			27	26	25	24		22	21	20																		
SALEABLE	NOT APPLICABLE	34566-6263	9	B	ST GRAY	72	71	70		68	67	66			62	61	60	59	58	57	56	55	54	53		73														
						52	51	50		48	47	46			42	41	40	39	38	37	36	35	34	33																
										32	31	30	29	28	27	26	25	24																						

MX123 52/66/73/80-WAY RECEPTACLE ASSY SEALED PIN OUT SHEET

STATUS	GM PART #	HRNS CONN ASSY			TPA	GROMMET CAP																				
		MATERIAL/PART	WIRE DRESS OPTION	KEY OPTION Fp	COLOR OPTION Fp	NUMBERS INDICATE CAVITIES OPEN FOR CIRCUITS																				
		NUMBER				Fp																				
SALEABLE	NOT APPLICABLE	34566-6273	9	B	ST GRAY	71	70	69				65	64	63	62	61	60		58	57	56	55	54	53		
						52	51	50	49	48	47		45	44	43	42	41		39				36			
						73			32		30	29	28	27	26			24							19	18
SALEABLE	NOT APPLICABLE	34566-6283	9	C	BLUE	72		70		68	67	66			63	62			59		57			53		
						52	51			48	47	46		44				40	39						34	33
						73			32		30			27	26	25			22	21						
SALEABLE	NOT APPLICABLE	34566-6293	9	B	ST GRAY	72	71	70		68	67	66			62	61	60	59	58	57	56	55	54	53		
						52	51	50		48	47	46			42	41	40	39	38	37	36	35	34	33		
						73			32	31	30	29	28	27	26	25	24									
SALEABLE	NOT APPLICABLE	34566-6313	9	B	ST GRAY	71	70	69						63	62	61	60		58	57	56	55	54	53		
						52	51	50	49					44	43	42	41		39		37	36			19	18
						73			32			29	28	27	26											3
SALEABLE	NOT APPLICABLE	34566-6323	9	B	ST GRAY	71	70	69					64	63			60	59	58	57	56	55	54	53		
						52	51	50	49				45	44	43	42	41		39		37	36			19	18
						73			32		30		28		26											
SALEABLE	NOT APPLICABLE	34566-6333	9	C	BLUE	72		70		68	67	66			63	62			59		57	56	55	53		
						52	51			48	47	46		44				40	39						34	33
						73			32		30			27	26	25			22	21					19	18
SALEABLE	NOT APPLICABLE	34566-6343	9	A	BLACK	71	70	69						63	62	61	60		58	57	56	55	54	53		
						52	51	50	49					44	43	42	41	40	39		37	36			19	18
						73			32			29	28	27	26											3
SALEABLE	NOT APPLICABLE	34566-6353	9	C	BLUE	72		70		68		66			63	62			59	58	57	56	55	53		
						52	51			48	47	46		44				40	39						34	33
						73			32		30			27	26	25		23	22	21	20					
SALEABLE	NOT APPLICABLE	34566-6363	9	B	ST GRAY	72		70		68		66					60	59				55	54	53		
						52		50		48		46					40	39					35	34	33	
						73			32	31	30	29	28	27	26	25	24	23							19	18
SALEABLE	NOT APPLICABLE	34566-6373	9	A	BLACK	71	70	69		67			64	63			60	59	58	57	56	55	54	53		
						52	51	50	49		47		45	44	43	42	41	40	39		37	36			19	18
						73			32		30		28		26			23		21						3
SALEABLE	NOT APPLICABLE	34566-6383	9	A	BLACK	72	71	70	69	68		66	65	64	63		61	60			57	56		54	53	
						52	51	50	49	48		46	45	44	43	42	41	40	39	38	37	36			34	33
						73			32	31	30	29	28					23	22	21						2
SALEABLE	NOT APPLICABLE	34566-6393	9	C	BLUE	71	70	69		67	66	65	64		62	61	60		58	57		55	54			
						52	51	50	49	48	47	46	45	44		42	41		38	37			35	34	33	
						73			32			28	27	26	25										19	18
SALEABLE	NOT APPLICABLE	34566-6413	9	B	ST GRAY	72				68	67				63	62	61	60	59				55			
						52				48	47	46		44	43		41	40		38	37	36	35			
						73					30			27									20	19	18	17
SALEABLE	NOT APPLICABLE	34566-6423	9	C	BLUE	71	70	69		67	66	65	64								56		54			
						52	51	50	49		47	46	45	44				39	38						34	
						73					31	30	29	28		26	25		23	22	21					
SALEABLE	NOT APPLICABLE	34566-6433	9	A	BLACK	72		70		67				63			60	59	58	57	56	55				
						52	51			48	47	46			43	42		40	39	38	37	36	35			
						73							28	27					22	21						18

MX123 52/66/73/80-WAY RECEPTACLE ASSY SEALED PIN OUT SHEET

STATUS	GM PART #	HRNS CONN ASSY			TPA	GROMMET CAP																					
		MATERIAL/PART	WIRE DRESS OPTION	KEY OPTION Fp	COLOR OPTION Fp	NUMBERS INDICATE CAVITIES OPEN FOR CIRCUITS																					
		NUMBER				Fp																					
SALEABLE	NOT APPLICABLE	34566-6443	9	B	ST GRAY	72	71	70	69	68	67	66	65	64	63		61	60			57	56	55				
						52	51	50	49	48	47	46	45	44	43		26	25	24	23	22	21	20	19	18	17	
						73				32	31	30	29	28		11		9	8	7	6	5	4	3	2	1	
SALEABLE	NOT APPLICABLE	34566-6453	0	C	BLUE		71	70	69		67		65	64		62	61	60			57			54			
						52	51	50	49	48	47	46	45	44		42	41				37				34	33	
						73				32				28	27	26	25									18	17
SALEABLE	NOT APPLICABLE	34566-6463	0	B	ST GRAY	72				68	67					62	61							55			
						52				48	47	46			43												
						73						30											20	19	18		
SALEABLE	NOT APPLICABLE	34566-6473	9	C	BLUE			70	69		67	66		64		62		60			57		55	54			
						52	51	50		48		46	45	44		42					37			35	34	33	
						73				32				28	27	26									19	18	17
SALEABLE	NOT APPLICABLE	34566-6483	9	A	BLACK	72	71	70	69	68		66	65	64	63		61	60			57	56		54	53		
						52	51	50	49	48		46	45	44	43			40	39	38	37	36		34	33		
						73				32	31	30	29	28		26	25		23	22	21	20					2
SALEABLE	NOT APPLICABLE	34566-6493	9	B	ST GRAY	72			70							62	61							55			
						52				48	47	46			43			41	40								
						73						30											20	19	18		
SALEABLE	NOT APPLICABLE	34566-6513	0	B	ST GRAY					68	67					62	61						55	54			
						52						46			43			40									
						73				16	15	14							8				4	3	2	1	
SALEABLE	NOT APPLICABLE	34566-6523	0	B	ST GRAY					68	67			64					59	58				54			
												46	45						39	38							
						73				32		30	29	28	27				23	22							17
SALEABLE	NOT APPLICABLE	34566-6533	9	B	ST GRAY					68	67			64													
												46	45														
						73				32		30	29	28	27												17
SALEABLE	NOT APPLICABLE	34566-6543	9	A	BLACK					68	67			64													
												46	45														
						73				32	31	30	29	28		26	25		23	22	21	20					
SALEABLE	NOT APPLICABLE	34566-6553	9	A	BLACK					67			64	63			60	59	58	57	56	55	54	53			
						52	51	50	49		47		45	44	43	42	41	40	39		37	36		34			
						73				32		30		28		26							19	18	17		
SALEABLE	NOT APPLICABLE	34566-6563	9	C	BLUE				70		66			63	62			59	58	57				53			
						52	51			48	47	46		44				40	39							34	33
						73				32		30			27	26	25		23	22	21	20					17
SALEABLE	NOT APPLICABLE	34566-6573	9	A	BLACK					67			64	63			60	59	58	57	56	55	54	53			
						52	51	50	49		47		45	44	43	42	41	40	39		37	36		34			
						73				32		30		28		26			23		21		19	18			
SALEABLE	NOT APPLICABLE	34566-6583	9	A	BLACK				70	69					63	62	61	60		58	57	56	55	54	53		
						52	51	50	49					44	43	42	41	40	39		37	36		34			
						73				32			29	28	27	26									19	18	
SALEABLE	NOT APPLICABLE	34566-6593	0	C	BLUE				69		67			64		62		60			57		55	54			
						52	51	50		48		46	45	44		42					37			35	34	33	
						73				32				28	27	26							20	19	18	17	

MX123 52/66/73/80-WAY RECEPTACLE ASSY SEALED PIN OUT SHEET

STATUS	GM PART #	HRNS CONN ASSY			TPA	GROMMET CAP																						
		MATERIAL/PART	WIRE DRESS OPTION	KEY OPTION Fp	COLOR OPTION Fp	NUMBERS INDICATE CAVITIES OPEN FOR CIRCUITS																						
		NUMBER				Fp																						
SALEABLE	NOT APPLICABLE	34566-6613	0	A	BLACK	72	71	70	69			66		64	63		61	60			57	56		54	53			
						52	51	50	49			46	45	44	43		26	25		23	22	21				34	33	
						73				32	31	30	29	28					9		7	6	5				2	1
SALEABLE	NOT APPLICABLE	34566-6623	9	B	ST GRAY					68	67			64					59	58			54					
												46	45						39	38								
						73				32		30	29	28	27					23	22							17
SALEABLE	NOT APPLICABLE	34566-6633	9	C	BLUE				69		67	66		64		62		60			57			54				
						52	51	50		48		46	45	44		42						37				34	33	
						73								28	27	26												
SALEABLE	NOT APPLICABLE	34566-6643	9	C	BLUE		71			68	67		65	64	63		61	60		58	57			54				
						52	51	50		48			45		43		41				38	37				34	33	
						73								28	27		25											18
SALEABLE	NOT APPLICABLE	34566-6653	9	B	ST GRAY	72				68						62	61	60	59					55				
						52				48	47	46		44	43		41	40		38	37	36	35					
						73						30										20	19	18				
SALEABLE	NOT APPLICABLE	34566-6663	9	A	BLACK					68		66	65	64	63		60			57	56			54				
						52	51	50	49	48		46	45	44	43	42		40	39	38	37	36				34		
						73				32	31	30	29	28		26	25		23	22	21	20						2
SALEABLE	NOT APPLICABLE	34566-6673	9	B	ST GRAY	72	71	70	69	68	67	66	65	64	63		61	60	59		57	56	55					
						52	51	50	49	48	47	46	45	44	43		41	40	39	38	37	36	35	34	33			
						73				32	31	30	29	28		26		24	23	22	21	20	19	18	17			
SALEABLE	NOT APPLICABLE	34566-6683	9	A	BLACK			70		67					63		60	59	58	57								
						52				48	47	46			43	42		40	39	38	37							
						73				32	31	30	29	28	27					22	21							2
SALEABLE	NOT APPLICABLE	34566-6693	9	C	BLUE	72	71	70	69		67	66	65	64						56				54				
						52	51	50	49		47	46	45	44					39	38						34		
						73						31	30	29	28		26	25	24	23	22	21						17
SALEABLE	TBD	34822-0063	9	A	BLACK		63	62	61	60	59					54	53		51		49		66					
							47									38	37		35		33							
						65								28			25			22	21	20	19	18	17			
SALEABLE	NOT APPLICABLE	34566-6713	9	A	BLACK	72	71	70	69	68		66	65	64	63		61	60		57	56			54	53			
						52	51	50	49	48		46	45	44	43	42	41	40	39	38	37	36				34	33	
						73				32	31	30	29	28		26	25		23	22	21							2
SALEABLE	NOT APPLICABLE	34566-6723	0	H	ST GRAY		79					74	73					67		65	64	63	62	61				
							59						53	52							25		44	43	42	41		
								38					33							27								
SALEABLE	NOT APPLICABLE	34566-6733	0	G	BLUE			78	77		75	74		72		70				64	63							
						60		58	57		55	54		52	51	50	49		47		45							
						40	39	38	37				33	32	31				27	26								
SALEABLE	NOT APPLICABLE	34566-6743	9	C	BLUE				69	68	67		65	64	63		61	60		57								
						52	51	50		48		46	45		43		41				37					34	33	
						73								28	27		25											
SALEABLE	NOT APPLICABLE	34566-6753	9	A	BLACK	72	71	70	69	68		66	65	64		61	60		57	56			54	53				
						52	51	50	49	48		46	45	44	43	42		40	39	38	37	36				34	33	
						73						31	30	29	28					23	22	21	20					2

MX123 52/66/73/80-WAY RECEPTACLE ASSY SEALED PIN OUT SHEET

STATUS	GM PART #	HRNS CONN ASSY			TPA	GROMMET CAP																						
		MATERIAL/PART	WIRE DRESS OPTION	KEY OPTION Fp	COLOR OPTION Fp	NUMBERS INDICATE CAVITIES OPEN FOR CIRCUITS																						
		NUMBER				Fp																						
SALEABLE	NOT APPLICABLE	34566-6933	9	B	ST GRY	72				68	67				63	62	61	60	59				55		53			
						52				48	47	46		44	43		41	40				38	37	36	35			
						73						30			27							22	21	20	19	18	17	
SALEABLE	NOT APPLICABLE	34566-6943	9	A	BLACK	72	71	70	69	68		66	65	64	63		61	60				57	56		54	53		
						52	51	50	49	48		46	45	44	43	42	41	40	39	38	37	36			34	33		
						73				32	31	30	29	28							23	22	21					
SALEABLE	NOT APPLICABLE	34566-6953	0	A	BLACK	72	71	70	69			66	65	64	63		61	60				57	56		54	53		
						52	51	50	49			46	45	44	43			40	39	38	37	36			34	33		
						73				32	31	30	29	28			26	25		23	22	21	20					
SALEABLE	NOT APPLICABLE	34566-6963	0	B	ST GRY	72		70		68	67					62	61							55				
						52				48	47	46			43			40								20	19	18
						73						30														4		2
SALEABLE	NOT APPLICABLE	34566-6973	0	C	BLUE		71	70	69			67		65	64		62	61	60				57		55	54		
						52	51	50	49	48	47	46	45	44		42	41							37		35	34	33
						73				32				28	27	26	25										19	18
SALEABLE	NOT APPLICABLE	34566-6983	0	C	BLUE		71		69			67		65	64		62	61	60				57		54			
						52	51	50		48	47	46	45	44		42								37		34	33	
						73								28	27	26												18
SALEABLE	NOT APPLICABLE	34566-6993	0	G	BLUE			78	77	76									67	66	65							
						40	39	38	37	36	35	34	33	32			29	28					25				21	
						20	19	18	17	16	15	14	13	12													3	1
SALEABLE	NOT APPLICABLE	34566-7013	9	A	BLACK		71	70	69					64	63	62	61	60	59	58	57	56	55	54	53			
						52	51	50	49				45	44	43	42	41		39		37	36			34			
						73				32			29	28	27	26										19	18	
SALEABLE	NOT APPLICABLE	34566-7023	0	A	BLACK	72	71	70	69	68		66	65	64		61	60				57	56		54	53			
						52	51	50	49	48		46	45	44	43			40	39	38	37	36			34	33		
						73						31	30	29	28			26	25		23	22	21	20				
SALEABLE	NOT APPLICABLE	34566-7033	0	A	BLACK			70	69					65		63	62	61	60			58	57	56	55	54	53	
						52	51		49					44	43	42	41						37	36		34		
						73				32			29	28	27	26							21			19	18	
SALEABLE	NOT APPLICABLE	34566-7043	0	B	ST GRY	72				68	67				63	62	61	60	59					55				
						52						46			43		41	40										
						73									27										20	19	18	
SALEABLE	NOT APPLICABLE	34566-7053	0	C	BLUE		71		69			67		65	64		62	61	60				57		54			
						52	51	50	49	48	47	46	45	44		42	41						37			34	33	
						73				16	15	14	13	12	11	10	9	8	7									
SALEABLE	NOT APPLICABLE	34566-7063	0	C	BLUE	72		70		68	67	66			63	62			59			57			53			
						52	51			48	47	46		44				40	39							34	33	
						73				32		30				26	25				22	21						
SALEABLE	NOT APPLICABLE	34566-7073	9	F	NATURAL				69	68											58	57						
															43	42							38	37			33	
						73							30													19	18	17
SALEABLE	NOT APPLICABLE	34566-7083	9	B	ST GRY																							
						73				16	15	14	13	12	11	10			8	7					3	2	1	

MX123 52/66/73/80-WAY RECEPTACLE ASSY SEALED PIN OUT SHEET

STATUS	GM PART #	HRNS CONN ASSY			TPA	GROMMET CAP																						
		MATERIAL/PART	WIRE DRESS OPTION	KEY OPTION Fp	COLOR OPTION Fp	NUMBERS INDICATE CAVITIES OPEN FOR CIRCUITS																						
		NUMBER				Fp																						
SALEABLE	TBD	34822-0083	9	A	BLACK	63	62	61	60	59						54	53		51		49	66						
						47									39	38	37		35									
						65									28			25				22	21	20	19	18	17	
SALEABLE	NOT APPLICABLE	34566-7253	0	B	ST GRAY	72									62	61												
						52				48	47	46		44	43		41	40										
						73																	20	19	18			
SALEABLE	NOT APPLICABLE	34566-7263	0	C	BLUE				69		67	66		64		62		60			57			54				
						52	51	50		48		46	45	44		42							37			34	33	
						73									28	27	26										18	
SALEABLE	NOT APPLICABLE	34566-7273	0	C	BLUE				69		67	66		64		62		60			57			55	54			
						52	51	50		48		46	45	44		42							37			35	34	33
						73									28	27	26										19	18
SALEABLE	NOT APPLICABLE	34566-7283	0	C	BLUE				69		67	66		64		62		60			57			55	54			
						52	51	50		48		46	45	44		42							37			35	34	33
						73									28	27	26										19	18
SALEABLE	NOT APPLICABLE	34566-7293	9	A	BLACK				69		67	66		64		62		60			57			55	54			
						52	51	50	49	48		46	45	44	43								39			34	33	
						73									32	31	30	29	28	27	26	25	24	23				
SALEABLE	NOT APPLICABLE	34566-7313	0	B	ST GRAY				69		67	66		64		62		60			57			55	54			
						52				48	47	46			43			40										
						73																		22	21	20	19	18
SALEABLE	NOT APPLICABLE	34566-7333	9	B	ST GRAY	72	71	70	69	68	67	66	65	64	63	62	61	60	59			57	56	55				
						52	51	50	49	48	47	46	45	44	43			41	40	39	38	37	36	35	34	33		
						73									32	31	30	29	28		26		24	23	22	21	20	19
SALEABLE	NOT APPLICABLE	34566-7343	9	B	ST GRAY				69		67	66		64		62		60			57			55	54			
						52				48		46	45	44	43								39	38		35		
						73									32		30	29	28	27			23	22			19	
SALEABLE	NOT APPLICABLE	34566-7353	9	C	BLUE				69		67	66		64		62		60			57			55	54			
						52	51	50		48	47	46	45	44		42								37		35	34	33
						73									32				28	27	26						19	18
SALEABLE	NOT APPLICABLE	34566-7363	0	B	ST GRAY				69		67	66		64		62		60			57			55	54			
						52				48		46		44	43			41	40									
						73																				20	19	18
SALEABLE	NOT APPLICABLE	34566-7373	0	A	BLACK	72	71	70	69	68		66	65	64		62		60			57	56		54	53			
						52	51	50	49	48		46	45	44	43	42		40	39	38	37	36			34	33		
						73									31	30	29	28		26	25		23	22	21	20		
SALEABLE	NOT APPLICABLE	34566-7383	0	C	BLUE		71	70			67	66	65	64		62		60			57			54				
						52	51	50	49	48	47		45	44			41						37			34	33	
						73									32			28	27		25							17
SALEABLE	NOT APPLICABLE	34566-7393	0	B	ST GRAY				69		67	66		64		62		60			57			55	54			
						52				48	47	46		44	43			40										
						73																				20	19	18
SALEABLE	NOT APPLICABLE	34566-7413	0	A	BLACK	72	71	70	69	68		66	65	64	63		61	60			57	56		54	53			
							51	50	49	48		46	45	44	43	42		40	39	38	37	36			34	33		
						73									32	31	30	29	28		26	25		23	22	21	20	

MX123 52/66/73/80-WAY RECEPTACLE ASSY SEALED PIN OUT SHEET

STATUS	GM PART #	HRNS CONN ASSY			TPA	GROMMET CAP																																			
		MATERIAL/PART	WIRE DRESS OPTION	KEY OPTION Fp	COLOR OPTION Fp	NUMBERS INDICATE CAVITIES OPEN FOR CIRCUITS																																			
		NUMBER				Fp																																			
SALEABLE	NOT APPLICABLE	34566-7423	0	C	BLUE	52	51	70	69	48	67	46	45	64	61	60	57	54	34	33	73			32	28	27	25	18	17												
						73			16	15	14	13	12	11	10	9	8	7																							
						72				68						62	61	60	59					55																	
SALEABLE	NOT APPLICABLE	34566-7433	0	B	ST GRAY	52				48	47	46		44	43		41	40		38	37	36	35			73			16	15	14						20	19	18	17	
						73			16	15	14							8								4															
						72				68																															
SALEABLE	NOT APPLICABLE	34566-7443	0	A	BLACK	72	71	70	69	68		66	65	64	63		60			57	56		54		73			31	30	29	28		26	25		23	22	21	20		
						73			15	14	13	12					9		7	6	5	4																			
						52	51	50	49	48		46	45	44	43	42		40	39	38	37	36																			
SALEABLE	NOT APPLICABLE	34566-7453	0	C	BLUE	72	71	70		68	67	66	65	64		61	60		58	57		54		73			67	66	65	64		61	60		58	57					
						73			16	15	14	13	12	11	10	9	8	7																							
						52	51	50	49	48	47	46	45	44				41			38	37																			
SALEABLE	NOT APPLICABLE	34566-7463	0	B	ST GRAY	72				68						62	61					55		73			68	67													
						73			16	15	14								8																						
						52				48	47	46			43			40																							
SALEABLE	NOT APPLICABLE	34566-7473	0	B	ST GRAY	72				68	67				63	62	61					55		73			68	67				63	62	61							
						73			16		14						11		8																						
						52				48	47	46			43			40																							
SALEABLE	NOT APPLICABLE	34566-7483	0	B	ST GRAY	72				68						62	61					55		73			68	67													
						73			16	15	14							8																							
						52				48	47	46			43			40																							
SALEABLE	NOT APPLICABLE	34566-7493	0	C	BLUE	52	51	50	69	48	47	46	45	44		42				37		35	34	33	73			32			28	27	26						19	18	17
						73			16	15	14	13	12	11	10	9	8	7																							
						72	71	70	69	68		66	65	64	63		61	60					57	56																	
SALEABLE	NOT APPLICABLE	34566-7513	9	A	BLACK	52	51	50	49	48		46	45	44	43		40	39	38	37	36		34	33	73			32	31	30	29	28				23	22	21	20		
						73			15	14	13	12							7	6	5	4																			
						72									64					62	61																				
SALEABLE	NOT APPLICABLE	34566-7523	0	A	BLACK	52	51			48	47	46	45		43		41	40					33		73			32		30	29		27	26	25	24					20
						73			16	15		13						11	10	9																					
						72																																			
SALEABLE	NOT APPLICABLE	34566-7533	0	G	BLUE	80	79	78								71	70			67					73			80	79	78											
						73			60	59	58	57			54			51	50	49	48	47																			
						40	39		37	36		34	33	32		30	29	28	27																						
SALEABLE	NOT APPLICABLE	34566-7543 SAME AS P/N 34566-1553	0	A	BLACK	20	19	18								9	8			5		3	2	1	73																
						73																																			
						72																																			
SALEABLE	NOT APPLICABLE	34566-7553 SAME AS P/N 34566-1983	0	B	ST GRAY	72																		73																	
						73																																			
						52																																			
SALEABLE	NOT APPLICABLE	34566-7563 SAME AS P/N 34566-1993	0	C	BLUE	72																		73																	
						73																																			
						52																																			
SALEABLE	NOT APPLICABLE	34566-7573	0	B	ST GRAY	72		70		68						62	61						55		73			68													
						73			16	15	14																														
						52				48	47	46			43			40																							

MX123 52/66/73/80-WAY RECEPTACLE ASSY SEALED PIN OUT SHEET

STATUS	GM PART #	HRNS CONN ASSY			TPA	GROMMET CAP																					
		MATERIAL/PART	WIRE DRESS OPTION	KEY OPTION Fp	COLOR OPTION Fp	NUMBERS INDICATE CAVITIES OPEN FOR CIRCUITS																					
		NUMBER				Fp																					
SALEABLE	NOT APPLICABLE	34566-7683	9	B	ST GRY	72	71	70	69	68	67	66	65	64	63	62	61	60	59		57	56	55				
						52	51	50	49	48	47	46	45	44	43		26	25	24	23	22	21	20	19	18	17	
						73				32	31	30	29	28		11		9	8	7	6	5	4	3	2	1	
SALEABLE	NOT APPLICABLE	34566-7693	9	A	BLACK	72							64		62	61			57	56	55	54					
						52	51					46	45		43		40			37		35	34				
						73				32	31	30	29		27		25					20					
SALEABLE	NOT APPLICABLE	34566-7713	9	A	BLACK	72							64		62	61			58	57	56	55	54				
						52	51			48		46	45		43		41	40			37		35	34			
						73				32		30	29		27		25					20					
SALEABLE	NOT APPLICABLE	34566-7723	9	A	BLACK	72							64		62	61			57	56	55	54	53				
						52	51			48		46	45		43		41	40			37		35	34			
						73				32		30	29		27		25					20					
SALEABLE	NOT APPLICABLE	34566-7733	9	A	BLACK	72							64		62	61			57	56	55	54	53				
						52	51			48		46	45		43		41	40			37		35	34			
						73				32		30	29		27		25					20					
SALEABLE	NOT APPLICABLE	34566-7743	0	C	BLUE	72		70		68	67	66		64	63	62	61	60	59	57							
						52	51		49	48	47	46		44		41	40	39		37	36	35	34	33			
						73				32		30			27	26	25	24		22	21	20					
SALEABLE	NOT APPLICABLE	34566-7753	0	A	BLACK		71	70	69	68	67			64	63	62	61	60	59	58	57	56	55	54	53		
						52	51	50	49			45	44	43	42	41		39	38	37	36		34				
						73				32	31		29	28	27	26	25						19	18			
SALEABLE	NOT APPLICABLE	34566-7763	0	F	NATURAL																						
						73																					
SALEABLE	NOT APPLICABLE	34566-7773	0	B	ST GRY	72		70							63	62	61	60	59								
						52						46			43		41	40									
						73									27					22	21	20	19	18			
SALEABLE	TBD	34822-0153	9	A	BLACK		63	62	61	60	59					54	53		51		49	66					
							47								38	37		35		33							
						65								28			25		22	21	20	19	18	17			
SALEABLE	NOT APPLICABLE	34566-7783	0	A	BLACK	72	71	70	69	68		66	65	64	63			60		57	56		54				
						52	51	50	49	48		46	45	44	43	42	41	40	39	38	37	36		34			
						73				32	31	30	29	28		26	25		23	22	21				2	1	
SALEABLE	NOT APPLICABLE	34566-7793	0	A	BLACK	72		70			67	66	65		63			60	59	58	57	56	55				
						52	51		49	48	47	46	45		43	42		40	39	38	37	36	35				
						73								28	27			23	22	21					18	17	
SALEABLE	NOT APPLICABLE	34566-7813	0	A	BLACK			70	69	68	67				63	62	61	60	59	58	57	56	55	54	53		
						52	51	50	49					44	43	42	41	40	39	38	37	36		34			
						73				32			29	28	27	26	25				21		19	18			
SALEABLE	NOT APPLICABLE	34566-7823	0	B	ST GRY					68	67				63	62	61	60	59								
						52				48	47	46		44	43		41	40		38	37	36	35				
						73						30			27						20	19	18				
SALEABLE	NOT APPLICABLE	34566-7833	0	B	ST GRY	72	71	70	69	68	67	66	65	64	63		61	60	59		57	56	55				
						52	51	50	49	48	47	46	45	44	43		41	40	39	38	37	36	35	34	33		
						73				32	31	30	29	28		26	25	24	23	22	21	20	19	18	17		

MX123 52/66/73/80-WAY RECEPTACLE ASSY SEALED PIN OUT SHEET

STATUS	GM PART #	HRNS CONN ASSY			TPA	GROMMET CAP																			
		MATERIAL/PART	WIRE DRESS OPTION	KEY OPTION Fp	COLOR OPTION Fp	NUMBERS INDICATE CAVITIES OPEN FOR CIRCUITS																			
		NUMBER				Fp																			
SALEABLE	NOT APPLICABLE	34566-7843	9	C	BLUE	52	71	50	49	48	67	47	65	64	45	44	62	61	60	58	57	54	33		
						73				16	15	14	13	12	11	10	9	38	37	34	33				
						72	71	70	69	68	67	66	65	64	63	62	61	60	59	58	57	56	55	54	53
SALEABLE	NOT APPLICABLE	34566-7853	9	C	BLUE	52	51	50	49	48	47	46	45	44	43	42	41	40	39	38	37	36	35		
						73				16	15	14	13	12	11	10	9	8	7	6	5	4	3	2	1
						72	71	70	69	68	67	66	65	64	63	62	61	60	59	58	57	56	55	54	53
SALEABLE	NOT APPLICABLE	34566-7863	9	C	BLUE	52	51	50	49	48	47	46	45	44	43	42	41	40	39	38	37	36	35		
						73				16	15	14	13	12	11	10	9	8	7	6	5	4	3	2	1
						72	71	70	69	68	67	66	65	64	63	62	61	60	59	58	57	56	55	54	53
SALEABLE	NOT APPLICABLE	34566-7873	9	A	BLACK	52	51	50	49	48	47	46	45	44	43	42	41	40	39	38	37	36	35		
						73				16	15	14	13	12	11	10	9	8	7	6	5	4	3	2	1
						72	71	70	69	68	67	66	65	64	63	62	61	60	59	58	57	56	55	54	53
SALEABLE	NOT APPLICABLE	34566-7883	9	A	BLACK	52	51	50	49	48	47	46	45	44	43	42	41	40	39	38	37	36	35		
						73				16	15	14	13	12	11	10	9	8	7	6	5	4	3	2	1
						72	71	70	69	68	67	66	65	64	63	62	61	60	59	58	57	56	55	54	53
SALEABLE	NOT APPLICABLE	34566-7893	9	A	BLACK	52	51	50	49	48	47	46	45	44	43	42	41	40	39	38	37	36	35		
						73				16	15	14	13	12	11	10	9	8	7	6	5	4	3	2	1
						72	71	70	69	68	67	66	65	64	63	62	61	60	59	58	57	56	55	54	53
SALEABLE	TBD	34822-0163	0	A	BLACK	52	51	50	49	48	47	46	45	44	43	42	41	40	39	38	37	36	35		
						73				16	15	14	13	12	11	10	9	8	7	6	5	4	3	2	1
						72	71	70	69	68	67	66	65	64	63	62	61	60	59	58	57	56	55	54	53
SALEABLE	NOT APPLICABLE	34566-7913	9	G	BLUE	52	51	50	49	48	47	46	45	44	43	42	41	40	39	38	37	36	35		
						73				16	15	14	13	12	11	10	9	8	7	6	5	4	3	2	1
						72	71	70	69	68	67	66	65	64	63	62	61	60	59	58	57	56	55	54	53
SALEABLE	NOT APPLICABLE	34566-7923	0	C	BLUE	52	51	50	49	48	47	46	45	44	43	42	41	40	39	38	37	36	35		
						73				16	15	14	13	12	11	10	9	8	7	6	5	4	3	2	1
						72	71	70	69	68	67	66	65	64	63	62	61	60	59	58	57	56	55	54	53
SALEABLE	NOT APPLICABLE	34566-7933	0	A	BLACK	52	51	50	49	48	47	46	45	44	43	42	41	40	39	38	37	36	35		
						73				16	15	14	13	12	11	10	9	8	7	6	5	4	3	2	1
						72	71	70	69	68	67	66	65	64	63	62	61	60	59	58	57	56	55	54	53
SALEABLE	NOT APPLICABLE	34566-7943	0	B	ST GRAY	52	51	50	49	48	47	46	45	44	43	42	41	40	39	38	37	36	35		
						73				16	15	14	13	12	11	10	9	8	7	6	5	4	3	2	1
						72	71	70	69	68	67	66	65	64	63	62	61	60	59	58	57	56	55	54	53
SALEABLE	NOT APPLICABLE	34566-7953	0	B	ST GRAY	52	51	50	49	48	47	46	45	44	43	42	41	40	39	38	37	36	35		
						73				16	15	14	13	12	11	10	9	8	7	6	5	4	3	2	1
						72	71	70	69	68	67	66	65	64	63	62	61	60	59	58	57	56	55	54	53
SALEABLE	NOT APPLICABLE	34566-7963	9	A	BLACK	52	51	50	49	48	47	46	45	44	43	42	41	40	39	38	37	36	35		
						73				16	15	14	13	12	11	10	9	8	7	6	5	4	3	2	1
						72	71	70	69	68	67	66	65	64	63	62	61	60	59	58	57	56	55	54	53
SALEABLE	NOT APPLICABLE	34566-7973	9	B	ST GRAY	52	51	50	49	48	47	46	45	44	43	42	41	40	39	38	37	36	35		
						73				16	15	14	13	12	11	10	9	8	7	6	5	4	3	2	1
						72	71	70	69	68	67	66	65	64	63	62	61	60	59	58	57	56	55	54	53
SALEABLE	NOT APPLICABLE	34566-7983	9	B	ST GRAY	52	51	50	49	48	47	46	45	44	43	42	41	40	39	38	37	36	35		
						73				16	15	14	13	12	11	10	9	8	7	6	5	4	3	2	1
						72	71	70	69	68	67	66	65	64	63	62	61	60	59	58	57	56	55	54	53

MX123 52/66/73/80-WAY RECEPTACLE ASSY SEALED PIN OUT SHEET

STATUS	GM PART #	HRNS CONN ASSY			TPA	GROMMET CAP																																																											
		MATERIAL/PART	WIRE DRESS OPTION	KEY OPTION Fp	COLOR OPTION Fp	NUMBERS INDICATE CAVITIES OPEN FOR CIRCUITS																																																											
		NUMBER				Fp																																																											
SALEABLE	NOT APPLICABLE	34566-7993	9	C	BLUE	52	51	70	69	48	67	66	64	61	60	57	54	53	52	51	50	49	48	47	46	45	44	43	42	41	40	39	38	37	36	35	34	33																											
						73				32	31	30	29	28	27	26	25	24	23	22	21	20	19	18	17	16	15	14	13	12	11	10	9	8	7	6	5	4	3	2	1																								
SALEABLE	NOT APPLICABLE	34566-8013	9	C	BLUE	52	51	71	70	48	67	66	65	64	61	60	59	57	54	53	52	51	50	49	48	47	45	44	43	42	41	40	39	38	37	36	35	34	33																										
						73				32	31	30	29	28	27	26	25	24	23	22	21	20	19	18	17	16	15	14	13	12	11	10	9	8	7	6	5	4	3	2	1																								
SALEABLE	TBD	34822-0173	9	A	BLACK	64	63	62	61	60	59	58	57	56	55	54	53	52	51	50	49	48	47	46	45	44	43	42	41	40	39	38	37	36	35	34	33																												
						65				32	31	30	29	28	27	26	25	24	23	22	21	20	19	18	17	16	15	14	13	12	11	10	9	8	7	6	5	4	3	2	1																								
SALEABLE	NOT APPLICABLE	34566-8023	9	C	BLUE	72	71	70	69	68	67	66	65	64	63	62	61	60	59	58	57	56	55	54	53	52	51	50	49	48	47	46	45	44	43	42	41	40	39	38	37	36	35	34	33																				
						73				32	31	30	29	28	27	26	25	24	23	22	21	20	19	18	17	16	15	14	13	12	11	10	9	8	7	6	5	4	3	2	1																								
SALEABLE	NOT APPLICABLE	34566-8033	9	B	ST GRAY	71	70	69	68	67	66	65	64	63	62	61	60	59	58	57	56	55	54	53	52	51	50	49	48	47	46	45	44	43	42	41	40	39	38	37	36	35	34	33																					
						73				32	31	30	29	28	27	26	25	24	23	22	21	20	19	18	17	16	15	14	13	12	11	10	9	8	7	6	5	4	3	2	1																								
SALEABLE	NOT APPLICABLE	34566-8043	9	A	BLACK	72	71	70	69	68	67	66	65	64	63	62	61	60	59	58	57	56	55	54	53	52	51	50	49	48	47	46	45	44	43	42	41	40	39	38	37	36	35	34	33																				
						73				32	31	30	29	28	27	26	25	24	23	22	21	20	19	18	17	16	15	14	13	12	11	10	9	8	7	6	5	4	3	2	1																								
SALEABLE	NOT APPLICABLE	34566-8053	9	A	BLACK	72	71	70	69	68	67	66	65	64	63	62	61	60	59	58	57	56	55	54	53	52	51	50	49	48	47	46	45	44	43	42	41	40	39	38	37	36	35	34	33																				
						73				32	31	30	29	28	27	26	25	24	23	22	21	20	19	18	17	16	15	14	13	12	11	10	9	8	7	6	5	4	3	2	1																								
SALEABLE	NOT APPLICABLE	34566-8063	9	C	BLUE	71	70	69	68	67	66	65	64	63	62	61	60	59	58	57	56	55	54	53	52	51	50	49	48	47	46	45	44	43	42	41	40	39	38	37	36	35	34	33																					
						73				32	31	30	29	28	27	26	25	24	23	22	21	20	19	18	17	16	15	14	13	12	11	10	9	8	7	6	5	4	3	2	1																								
SALEABLE	NOT APPLICABLE	34566-8073	9	B	ST GRAY	71	70	69	68	67	66	65	64	63	62	61	60	59	58	57	56	55	54	53	52	51	50	49	48	47	46	45	44	43	42	41	40	39	38	37	36	35	34	33																					
						73				32	31	30	29	28	27	26	25	24	23	22	21	20	19	18	17	16	15	14	13	12	11	10	9	8	7	6	5	4	3	2	1																								
SALEABLE	NOT APPLICABLE	34566-8083	9	B	ST GRAY	71	70	69	68	67	66	65	64	63	62	61	60	59	58	57	56	55	54	53	52	51	50	49	48	47	46	45	44	43	42	41	40	39	38	37	36	35	34	33																					
						73				32	31	30	29	28	27	26	25	24	23	22	21	20	19	18	17	16	15	14	13	12	11	10	9	8	7	6	5	4	3	2	1																								
SALEABLE	NOT APPLICABLE	34566-8093	9	A	BLACK	71	70	69	68	67	66	65	64	63	62	61	60	59	58	57	56	55	54	53	52	51	50	49	48	47	46	45	44	43	42	41	40	39	38	37	36	35	34	33																					
						73				32	31	30	29	28	27	26	25	24	23	22	21	20	19	18	17	16	15	14	13	12	11	10	9	8	7	6	5	4	3	2	1																								
SALEABLE	NOT APPLICABLE	34566-8113	9	C	BLUE	71	70	69	68	67	66	65	64	63	62	61	60	59	58	57	56	55	54	53	52	51	50	49	48	47	46	45	44	43	42	41	40	39	38	37	36	35	34	33																					
						73				32	31	30	29	28	27	26	25	24	23	22	21	20	19	18	17	16	15	14	13	12	11	10	9	8	7	6	5	4	3	2	1																								
SALEABLE	NOT APPLICABLE	34566-8123	0	G	BLUE	80	79	78	77	76	75	74	73	72	71	70	69	68	67	66	65	64	63	62	61	60	59	58	57	56	55	54	53	52	51	50	49	48	47	46	45	44	43	42	41	40	39	38	37	36	35	34	33	32	31	30	29	28	27	26	25	24	23	22	21
SALEABLE	NOT APPLICABLE	34566-8133	0	G	BLUE	80	79	78	77	76	75	74	73	72	71	70	69	68	67	66	65	64	63	62	61	60	59	58	57	56	55	54	53	52	51	50	49	48	47	46	45	44	43	42	41	40	39	38	37	36	35	34	33	32	31	30	29	28	27	26	25	24	23	22	21
SALEABLE	NOT APPLICABLE	34566-8143	0	G	BLUE	80	79	78	77	76	75	74	73	72	71	70	69	68	67	66	65	64	63	62	61	60	59	58	57	56	55	54	53	52	51	50	49	48	47	46	45	44	43	42	41	40	39	38	37	36	35	34	33	32	31	30	29	28	27	26	25	24	23	22	21

MX123 52/66/73/80-WAY RECEPTACLE ASSY SEALED PIN OUT SHEET

STATUS	GM PART #	HRNS CONN ASSY			TPA	GROMMET CAP																					
		MATERIAL/PART	WIRE DRESS OPTION	KEY OPTION Fp	COLOR OPTION Fp	NUMBERS INDICATE CAVITIES OPEN FOR CIRCUITS																					
		NUMBER				Fp																					
SALEABLE	NOT APPLICABLE	34566-8153	0	C	BLUE	72	71	70	69	68	67	66	65	64	63	62	61	60	59	58	57	56	55	34	33		
						52	51	50					28	27													18
						73			16		14	13													3		
SALEABLE	NOT APPLICABLE	34566-8163	9	B	ST GRAY					68	67			64	63			59	58			55	54				
											47	46	45	44	43				39	38				35			
						73			32	31	30	29	28	27				23	22					19		17	
SALEABLE	NOT APPLICABLE	34566-8173	0	B	ST GRAY	72		70		68	67				63	62	61	60	59								
						52						46			43		41	40									
						73								27					22	21	20	19	18				
SALEABLE	NOT APPLICABLE	34566-8183	9	H	ST GRAY																						
SALEABLE	NOT APPLICABLE	34566-8193	0	G	BLUE		79	78	77	76	75	74			71				67		65		63				
						60	59	58	57	56	55	54		52					47		45		43				
						40		38	37				33	32	31	30	29		27	26							
SALEABLE	NOT APPLICABLE	34566-8213	0	H	ST GRAY							74	73					67		65	64	63	62	61			
													53	52								44	43	42	41		
								38					33						27		25						
SALEABLE	NOT APPLICABLE	34566-8223	9	A	BLACK	72										62	61		59		57		55				
						52	51											40				37					
						73			32			29					25						20				
SALEABLE	NOT APPLICABLE	34566-8233	9	G	BLUE				77	76	75	74	73	72		70	69	68		66	65	64	63	62	61		
										56	55		53	52						46	45		43	42			
								38	37	36	35	34			31					26				23	22	21	
SALEABLE	NOT APPLICABLE	34566-8243	9	G	BLUE	20	19		17	16	15	14	13		10			7	6		4			1			
									77	76	75	74	73	72		70	69	68		66	65	64	63	62	61		
										56	55		53	52						46	45		43	42			
SALEABLE	NOT APPLICABLE	34566-8253	9	G	BLUE				77	76	75	74	73	72		70	69	68		66	65	64	63	62	61		
										56	55		53	52						46	45		43	42			
								38	37	36	35	34			31					26				23	22	21	
SALEABLE	NOT APPLICABLE	34566-8263	9	G	BLUE				77	76	75	74	73	72		70	69	68		66	65	64	63	62	61		
										56	55		53	52						46	45		43	42			
								38		36	35	34			31					26				23	22	21	
SALEABLE	NOT APPLICABLE	34566-8273	9	G	BLUE				77	76	75	74	73	72		70	69	68		66	65	64	63	62	61		
										56	55		53	52						46	45		43	42			
								38		36	35	34			31					26				23	22	21	
SALEABLE	NOT APPLICABLE	34566-8283	9	G	BLUE	80	79	78							71				67								
						60	59	58	57			54			51	50	49	48	47				44			41	
						40	39						33	32		30	29	28	27			25	24				
SALEABLE	NOT APPLICABLE	34566-8283	9	G	BLUE			18						12	11		9	8			5		3	2			
									77	76	75	74	73	72		70	69	68		66	65	64	63	62	61		
										56	55		53	52						46	45		43	42			
SALEABLE	NOT APPLICABLE	34566-8293	9	A	BLACK				71	70	69	68	67	66	65		63		60	59	58		36	35	34	33	
								50	49	48	47			44		42				39	38				19	18	17
						73						31			28				26			24	23	22	21		3
SALEABLE	NOT APPLICABLE	34566-8313	9	A	BLACK		71	70	69		67	66	65		63			60	59	58							
								50	49	48	47			44		42	41		39	38				36	35	34	33
						73						31			28				26			24	23	22	21		19

MX123 52/66/73/80-WAY RECEPTACLE ASSY SEALED PIN OUT SHEET

STATUS	GM PART #	HRNS CONN ASSY			TPA	GROMMET CAP																						
		MATERIAL/PART	WIRE DRESS OPTION	KEY OPTION Fp	COLOR OPTION Fp	NUMBERS INDICATE CAVITIES OPEN FOR CIRCUITS																						
		NUMBER				Fp																						
SALEABLE	NOT APPLICABLE	34566-8323	9	A	BLACK	71	70	69	68	67	66	65		63		60							53					
								50	49		47			44		42		39	38				36			33		
						73						31			28		26		24	23	22	21		19	18	17		
SALEABLE	NOT APPLICABLE	34566-8333	9	A	BLACK	71	70	69	68	67	66	65		63		60							53					
								50	49	48	47			44		42	41		39	38				36			33	
						73						31			28		26		24	23	22	21		19	18	17		
SALEABLE	NOT APPLICABLE	34566-8343	9	A	BLACK	71	70	69	68	67	66	65		63		60							53					
								50	49		47			44		42		39	38				36	35	34	33		
						73						31			28		26		24	23	22	21		19	18	17		
SALEABLE	NOT APPLICABLE	34566-8353	9	A	BLACK	72								64		62	61					57	56	55	54	53		
						52	51						46	45		43		41	40				37					
						73						32		30	29		27		25					20				
SALEABLE	NOT APPLICABLE	34566-8363	9	A	BLACK	72								64		62	61					57	56	55	54	53		
						52	51						46	45		43		41	40				37					
						73						32		30	29		27		25					20				
SALEABLE	NOT APPLICABLE	34566-8373	9	A	BLACK	72								64		62	61					57	56	55	54	53		
						52	51						46	45		43		41	40				37					
						73						32		30	29		27		25					20				
SALEABLE	NOT APPLICABLE	34566-8383	9	A	BLACK	72								64		62	61					57	56	55	54	53		
						52	51						46	45		43		41	40				37					
						73						32		30	29		27		25					20				
SALEABLE	NOT APPLICABLE	34566-8393	0	A	BLACK	72		70						64		62	61					57	56	55	54	53		
						52	51		49	48					43								36	35	34	33		
						73						31	30	29	28	27			24	23	22	21	20	19	18	17		
SALEABLE	NOT APPLICABLE	34566-8413	0	A	BLACK	72		70						64		62	61					57	56	55	54	53		
						52	51		49	48					43								36	35	34	33		
						73						31	30	29	28	27			24	23	22	21	20	19	18	17		
SALEABLE	NOT APPLICABLE	34566-8423	0	C	BLUE				69					64		62	61	60				57			54			
						52	51	50	49	48		46	45	44		42	41					37				34	33	
						73									28	27	26	25										
SALEABLE	NOT APPLICABLE	34566-8433	0	H	ST GRAY		79	78	77																61			
						20													9				5					1
SALEABLE	NOT APPLICABLE	34566-8443	0	C	BLUE		71	70									61	60	59	58	57				54			
						52	51	50		48	47		45	44		41		39	38	37						34	33	
						73						32			28	27		25		23							18	17
SALEABLE	NOT APPLICABLE	34566-8453	0	A	BLACK	72	71	70	69	68		66	65	64	63		60					57	56			54		
						52	51	50	49	48		46	45	44	43	42		40	39	38	37	36				34		
						73						32	31	30	29	28					23	22	21	20				
SALEABLE	NOT APPLICABLE	34566-8463	0	B	ST GRAY	72		70								62	61	60	59					55				
						52				48	47	46		44	43		41	40				38	37	36	35			
						73							30									22	21	20	19	18		
SALEABLE	NOT APPLICABLE	34566-8473	0	C	BLUE		71	70								62	61	60				58	57		54			
						52	51	50	49	48	47		45	44		42	41				38	37			35	34	33	
						73						32			28	27	26	25								19	18	17

MX123 52/66/73/80-WAY RECEPTACLE ASSY SEALED PIN OUT SHEET

STATUS	GM PART #	HRNS CONN ASSY			TPA	GROMMET CAP																					
		MATERIAL/PART	WIRE DRESS OPTION	KEY OPTION Fp	COLOR OPTION Fp	NUMBERS INDICATE CAVITIES OPEN FOR CIRCUITS																					
		NUMBER				Fp																					
SALEABLE	NOT APPLICABLE	34566-8483	0	A	BLACK	72	71	70	69	68		66	65	64	63		61	60			57	56		54	53		
						52	51	50	49	48		46	45	44	43	42			40	39	38	37	36		34	33	
						73				32	31	30	29	28						23	22	21	20				2
SALEABLE	NOT APPLICABLE	34566-8493	0	B	ST GRAY	72		70		68	67					62	61	60	59				55				
						52				48	47	46		44	43			40									33
						73						30								22	21	20	19	18	17		
SALEABLE	NOT APPLICABLE	34566-8513	9	A	BLACK	72	71	70	69	68		66	65	64	63		61	60			57	56		54	53		
						52	51	50	49	48		46	45	44	43			40	39	38	37	36		34	33		
						73				32	31	30	29	28					24	23	22						
SALEABLE	NOT APPLICABLE	34566-8523	9	B	ST GRAY	72		70		68						62	61						55				
						52				48	47	46			43			40									
						73						30								22	21	20	19	18	17		
SALEABLE	NOT APPLICABLE	34566-8533	9	C	BLUE			70		67	66	65	64			61	60			57			54				
						52	51	50	49	48	47		45	44			41				37			34	33		
						73				32				28	27			25								18	17
SALEABLE	NOT APPLICABLE	34566-8543	9	C	BLUE		71		69		67	66	65	64			61	60			57		54				
						52	51	50	49	48	47	46	45	44							37			34	33		
						73				32				28	27												
SALEABLE	NOT APPLICABLE	34566-8553	0	B	ST GRAY					67	66	65	64			61	60			57			54				
						52	51	50	49	48	47	46	45	44											34	33	
						73				32				28	27												
SALEABLE	NOT APPLICABLE	34566-8563	0	A	BLACK					67						60			57			54					
						52	51			48	47	46			43	42		40	39	38	37	36	35				
						73								28						22	21				18	17	
SALEABLE	NOT APPLICABLE	34566-8573	0	B	ST GRAY	72	71	70	69	68	67	66	65	64	63		61	60	59		57	56	55				
						52	51	50	49	48	47	46	45	44	43		41	40	39	38	37	36	35			33	
						73				32	31	30	29	28				26		24	23	22	21	20	19		
SALEABLE	NOT APPLICABLE	34566-8583	0	C	BLUE	72	71	70	69		67	66	65	64			60				56		54				
						52	51	50	49		47	46	45	44			40	39	38					34			
						73					31	30		28		26	25	24	23	22	21					17	
SALEABLE	NOT APPLICABLE	34566-8593	0	B	ST GRAY	72				68						62	61	60	59			55					
						52				48	47	46			43		41	40			38	37	36	35			
						73						30								22	21	20	19	18			
SALEABLE	TBD	34822-0183	0	A	BLACK	64	63	62	61	60	59					54	53		51		49	66					
																		38	37		35	33					
						65					15	14	13							8	7			4	3	2	1
SALEABLE	TBD	34822-0193	0	A	BLACK	64	63								54	53		51		49	66						
																		38	37		35	33					
						65								28					24	23		21	20	19	18	17	
SALEABLE	TBD	34822-0203	0	A	BLACK					60	59					54	53		51		49	66					
																		38	37		35	33					
						65					31			28					24	23	22	21	20	19	18	17	
SALEABLE	TBD	34822-0213	0	A	BLACK	64	63	62	61	60	59					54	53		51		49	66					
																		38	37		35	33					
						65					31			28					24	23	22	21	20	19	18	17	

MX123 52/66/73/80-WAY RECEPTACLE ASSY SEALED PIN OUT SHEET

STATUS	GM PART #	HRNS CONN ASSY			TPA	GROMMET CAP																					
		MATERIAL/PART	WIRE DRESS OPTION	KEY OPTION Fp	COLOR OPTION Fp	NUMBERS INDICATE CAVITIES OPEN FOR CIRCUITS																					
		NUMBER				Fp																					
SALEABLE	NOT APPLICABLE	34566-8613	0	C	BLUE	52	71	70			67	66	65	64			61	60	59	58	57			54			
							51	50		48	47			45	44			41	40	39	38	37				34	33
						73				32				28	27			25		23							18
SALEABLE	NOT APPLICABLE	34566-8623	9	C	BLUE					68			65		63	62	61		59	58	57	56	55		53		
										48			45		43	42	41					37	36	35	34	33	
						73				32	31													20	19	18	
SALEABLE	NOT APPLICABLE	34566-8633	0	B	ST GRAY	72										62	61										
						52				48	47	46			43			40									
						73							30									22	21	20	19	18	17
SALEABLE	NOT APPLICABLE	34566-8643	0	C	BLUE		71	70			67	66		64			61	60			57			54			
						52	51	50	49	48			45	44			41			37						34	33
						73				32				28	27			25									18
SALEABLE	NOT APPLICABLE	34566-8653	9	C	BLUE		71		69		67	66	65	64	63		61	60			57						
						52	51	50		48	47	46	45		43		41			37						34	33
						73								28	27			25									
SALEABLE	NOT APPLICABLE	34566-8663	0	B	ST GRAY	72	71	70	69					64	63		61	60			58	57	56	55			
						52	51	50	49					43								38	37	36			33
						73				32			30	29	28		26	25	24	23	22	21	20				
SALEABLE	NOT APPLICABLE	34822-0223	0	A	BLACK	64	63	62	61	60	59					54	53		51		49	66					
														38	37		35		33								
						65					31			28				24	23	22	21	20	19	18	17		
SALEABLE	NOT APPLICABLE	34566-8673	0	F	NATURAL	72		70		68	67	66			63	62			59		57				53		
						52	51		49	48	47	46		44			41	40	39		37	36	35	34	33		
						73						30			27	26	25	24		22	21	20					
SALEABLE	NOT APPLICABLE	34566-8683	0	B	ST GRAY	72		70		68	67	66			63	62			59		57				53		
						52	51		49	48	47	46		44			41	40	39		37	36	35	34	33		
						73				32		30			27	26	25	24		22	21	20					
SALEABLE	NOT APPLICABLE	34566-8693	0	A	BLACK					68	67	66			63	62			59		57			53			
						52	51		49	48	47	46		44			41	40	39		37	36	35	34	33		
						73				32		30			27	26	25	24		22	21	20					
SALEABLE	NOT APPLICABLE	34566-8713	9	B	ST GRAY	72	71	70	69					64	63			61	60			58	57	56	55		
						52	51	50	49					43								38	37	36			33
						73				32		30	29	28		26	25	24	23	22	21	20					
SALEABLE	NOT APPLICABLE	34566-8723	0	C	BLUE		71	70				66		64			61	60			57			54			
						52	51	50	49	48			45	44			41			37						34	33
						73				32				28	27			25									18
SALEABLE	NOT APPLICABLE	34566-8733	0	A	BLACK	72	71	70	69	68		66	65	64	63			60			57	56			54		
						52	51	50	49	48		46	45	44	43	42		40	39	38	37	36				34	
						73				32	31	30	29	28					23	22	21	20					
SALEABLE	NOT APPLICABLE	34566-8743	0	C	BLUE	72	71	70	69		67	66		64						39	38						
						52	51	50	49		47	46		44													
						73						30	29	28	27	26	25	24	23	22	21						
SALEABLE	NOT APPLICABLE	34566-8753	0	B	ST GRAY	72	71	70	69	68	67	66	65	64	63		61	60			58	57	56	55	54	53	
						52	51	50	49	48	47	46	45	44	43			40				37	36	35	34	33	
						73				32		30	29	28		26	25	24			21			19			

MX123 52/66/73/80-WAY RECEPTACLE ASSY SEALED PIN OUT SHEET

STATUS	GM PART #	HRNS CONN ASSY			TPA	GROMMET CAP																					
		MATERIAL/PART	WIRE DRESS OPTION	KEY OPTION Fp	COLOR OPTION Fp	NUMBERS INDICATE CAVITIES OPEN FOR CIRCUITS																					
		NUMBER				Fp																					
SALEABLE	NOT APPLICABLE	34566-8763	0	A	BLACK	72	71	70				67	66						59	58	57	56	55	54	53		
						52	51	50				47	46								39	37		36	35		33
						73			32	31	30	29	28	27	26						21					18	17
SALEABLE	12672857	34822-0243	9	A	BLACK	64	63	62	61	60	59						54	53		51		49	66				
							47									38	37		35		33						
						65							28					25	24		22	21	20	19	18	17	
SALEABLE	NOT APPLICABLE	34822-0253	0	A	BLACK		63	62	61	60	59					54	53		51		49	66					
															38	37		35		33							
						65							28					24	23	22	21	20	19	18	17		
SALEABLE	NOT APPLICABLE	34822-0263	9	C	BLUE	64	63	62		60	59					54	53		51		49	66					
						48	47	46	45						39	37		36	35	34	33						
						65			32	30	29	28	27	26	25	24	23	22	21				19	18	17		
SALEABLE	NOT APPLICABLE	34822-0273	9	A	BLACK	64	63									54	53		51		49	66					
							47								38	37		35		33							
						65							28							22		20	19	18	17		
SALEABLE	NOT APPLICABLE	34822-0283	0	A	BLACK				61	60	59				56	55				51		49	66				
						65			32																		
SALEABLE	NOT APPLICABLE	34822-0293	0	A	BLACK	64	63									54	53		51		49	66					
							47								38	37		35		33							
						65							28							22		20	19	18	17		
SALEABLE	NOT APPLICABLE	34566-8773	9	B	ST GRAY	72		70		68						62	61	60	59					55			
						52				48	47	46				43			40								
						73															22	21	20	19	18	17	
SALEABLE	NOT APPLICABLE	34566-8783	9	A	BLACK	72	71	70	69	68			66	65	64	63		61	60			57	56		54	53	
						52	51	50	49	48			46	45	44	43			40	39	38	37	36		34	33	
						73			32	31	30	29	28							23	22	21					
SALEABLE	NOT APPLICABLE	34566-8793	9	C	BLUE		71	70			67	66	65				61	60			57			54			
						52	51	50	49	48	47		45	44			41			37					34	33	
						73			32				28	27			25									18	17
SALEABLE	NOT APPLICABLE	34566-8813	9	B	ST GRAY	72	71	70	69	68	67			65	64	63		61	60	59		57	56	55	54	53	
						52	51	50	49	48	47	46	45	44	43	42			40	39			36	35	34	33	
						73			32	31	30	29	28	27	26	25	24	23	22	21							
SALEABLE	NOT APPLICABLE	34566-8823	9	C	BLUE	72	71	70	69		67	66		64				60							54		
						52	51	50	49		47	46		44				40	39								
						73							28	27	26	25	24	23	22	21							
SALEABLE	NOT APPLICABLE	34566-8833	9	C	BLUE	72		70		68	67	66			63	62			59		57				54	53	
						52	51		49	48	47	46		44			41	40	39		37	36	35	34	33		
						73			32				27	26	25	24		22	21	20							
SALEABLE	NOT APPLICABLE	34566-8843	0	C	BLUE	72	71	70	69		67	66		64											54		
						52	51	50	49		47	46		44			41		39	38							
						73							28	27	26	25	24	23	22	21							
SALEABLE	NOT APPLICABLE	34566-8853	0	B	ST GRAY	72				68	67				63	62	61	60	59					55			
						52				48	47	46		44	43		41	40		38	37	36	35				
						73							27							22	21	20	19	18			

MX123 52/66/73/80-WAY RECEPTACLE ASSY SEALED PIN OUT SHEET

STATUS	GM PART #	HRNS CONN ASSY			TPA	GROMMET CAP																							
		MATERIAL/PART	WIRE DRESS OPTION	KEY OPTION Fp	COLOR OPTION Fp	NUMBERS INDICATE CAVITIES OPEN FOR CIRCUITS																							
		NUMBER				Fp																							
SALEABLE	NOT APPLICABLE	34566-9143	9	F	NATURAL	72	71	70			67	66	65	64	63	62	61	60	59			56	55	54	53				
						52	51	50	49	48	47	46	45	44										36	35	34			
						73				32	31		29	28	27	26	25	24	23	22	21	20							
SALEABLE	NOT APPLICABLE	34566-9153	9	B	ST GRY						66					62				58									
															41			38	37										
						73																	20	19	18	17			
SALEABLE	NOT APPLICABLE	34566-9163	9	B	ST GRY					68	67	66	65			62		60	59					54	53				
										48	47	46	45	44		42	41	40	39					35	34				
						73					31				27										19	18	17		
SALEABLE	NOT APPLICABLE	34566-9173	0	B	ST GRY								65			62				58									
																41			38	37									
						73																		5			19	18	17
SALEABLE	NOT APPLICABLE	34822-0363	9	C	BLUE				61			58																	
										44	43		41	40		38								20					
						65					31																		
SALEABLE	NOT APPLICABLE	34822-0373	9	A	BLACK	64	63	62	61	60						55			52	51		49							
						48	47	46	45							38													
						65				32		30	29		27										22	21	20	19	18
SALEABLE	NOT APPLICABLE	34822-0383	9	A	BLACK	64	63	62	61	60			57					52	51		49								
						48	47	46	45					40															
						65				32		30	29		27										22	21	20	19	18
SALEABLE	NOT APPLICABLE	34822-0393	0	A	BLACK	64	63	62	61	60			57					52	51		49								
						48	47	46	45							38													
						65				32		30	29		27										22	21	20	19	18
SALEABLE	NOT APPLICABLE	34822-0403	9	A	BLACK	64	63									54	53		51		49								
															38	37		35		33									
						65					31			28											22		20	19	18
SALEABLE	NOT APPLICABLE	34822-0413	0	A	BLACK											54	53		51		49								
															38	37		35		33									
						65								28											22		20	19	18
SALEABLE	NOT APPLICABLE	34822-0423	9	A	BLACK											54	53		50										
										44	43	42	41	40	39		37	36	35	34	33								
						65					31			28			26	25	24	23									
SALEABLE	NOT APPLICABLE	34566-9183	9	B	ST GRY	72	71	70	69	68	67		65	64	63	62	61	60	59		57	56	55	54	53				
						52	51	50	49	48	47	46	45	44	43	42		40	39				36	35	34	33			
						73				32	31	30	29	28	27	26	25	24	23	22	21							19	
SALEABLE	NOT APPLICABLE	34566-9193	9	F	NATURAL				69	68										58	57								
															43	42													
						73						30															19	18	17
SALEABLE	NOT APPLICABLE	34822-0433	0	A	BLACK	64	63	62		60	59		57	56	55	54	53	52	51	50	49								
						48	47	46	45				42			39		37	36	35	34	33							
						65				32		30	29	28	27	26	25	24	23	22	21						20	19	18
SALEABLE	NOT APPLICABLE	34822-0443	0	A	BLACK	64	63	62		60	59		57	56	55	54	53	52	51	50	49								
						48	47	46	45				42			39		37	36	35	34	33							
						65				32	31	30	29	28	27	26	25	24	23	22	21						20	19	18

MX123 52/66/73/80-WAY RECEPTACLE ASSY SEALED PIN OUT SHEET

STATUS	GM PART #	HRNS CONN ASSY			TPA	GROMMET CAP																							
		MATERIAL/PART	WIRE DRESS OPTION	KEY OPTION Fp	COLOR OPTION Fp	NUMBERS INDICATE CAVITIES OPEN FOR CIRCUITS																							
		NUMBER				Fp																							
SALEABLE	NOT APPLICABLE	34566-9323	9	A	BLACK	72									64		62	61		59	58	57	56	55	54	53			
						52	51				48		46	45		43		41	40							20			
						73				32		30	29		27		25										4	3	
SALEABLE	NOT APPLICABLE	34566-9333	9	A	BLACK	72									64		62	61		59	58	57	56	55	54	53			
						52	51				48		46	45		43		41	40							20			
						73				32		30	29		27		25										4	3	
SALEABLE	NOT APPLICABLE	34566-9343	9	C	BLUE	72		70	69	68		66				63	62				58			56	55		53		
									49			46			43	42		40				38			36	35			
						73					31	30	29			26		24				22	21			20	19		17
SALEABLE	NOT APPLICABLE	34822-0503	0	A	BLACK	64		62	61	60	59	58				54	53		51										
						48	47								38	37	36		34										
						65						30	29	28			26		24			21							17
SALEABLE	NOT APPLICABLE	34822-0513	9	A	BLACK		63	62	61		59					54	53					49							
															38	37		35			33								
						65					31			28				24			22	21			20	19	18	17	
SALEABLE	NOT APPLICABLE	34566-9353	9	A	BLACK	72									64		62	61			58	57	56	55	54	53			
						52	51				48		46	45		43		41	40						37		35	34	
						73				32		30	29		27		25									20			
SALEABLE	NOT APPLICABLE	34566-9363	9	A	BLACK	72									64		62	61				57	56	55	54	53			
						52	51					46	45		43			40						37		35	34		
						73				32		30	29		27		25								20				
SALEABLE	NOT APPLICABLE	34566-9373	9	G	BLUE	80														66			64						
							59		57								49												
							39										30												
SALEABLE	NOT APPLICABLE	34566-9383	9	A	BLACK	72	71	70	69	68					64	63	62	61		59	58	57	56	55	54	53			
						52	51	50		48	47	46	45	44	43		41	40	39	38	37					35	34	33	
						73				32		30	29		27	26	25	24								20	19	18	17
SALEABLE	NOT APPLICABLE	34566-9393	0	B	ST GRAY	72	71	70	69	68	67		65	64	63		61	60	59			57	56	55	54	53			
						52	51	50	49	48	47	46	45	44	43	42		40	39					36	35	34	33		
						73				32	31	30	29	28	27	26	25	24	23	22	21	20							
SALEABLE	NOT APPLICABLE	34566-9413	9	H	ST GRAY																								
SALEABLE	NOT APPLICABLE	34566-9423	0	A	BLACK	72	71	70			67	66									58	57	56	55	54	53			
						52	51	50			47	46											39		37	36	35	33	
						73				32	31	30	29	28	27	26												18	17
SALEABLE	NOT APPLICABLE	34566-9433	0	B	ST GRAY	72	71	70	69	68	67	66	65	64	63		61				58	57	56	55	54	53			
						52	51	50	49	48	47	46	45	44				40	39					37	36	35	34	33	
						73						30	29	28	27	26	25	24			21								
SALEABLE	NOT APPLICABLE	34566-9443	9	B	ST GRAY	72	71	70	69	68	67		65	64	63	62	61	60	59			57	56	55	54	53			
								50	49	48	47	46		44	43	42		40	39					36	35	34	33		
						73				32	31	30	29	28	27	26	25	24	23	22	21								
SALEABLE	NOT APPLICABLE	34566-9453	0	A	BLACK	72	71	70	69		67			64			61	60	59			57	56	55	54	53			
						52	51						45	44			41	40	39	38	37	36	35	34					
						73						31	30	29		27	26	25			22					19	18		

MX123 52/66/73/80-WAY RECEPTACLE ASSY SEALED PIN OUT SHEET

STATUS	GM PART #	HRNS CONN ASSY			TPA	GROMMET CAP																				
		MATERIAL/PART	WIRE DRESS OPTION	KEY OPTION Fp	COLOR OPTION Fp	NUMBERS INDICATE CAVITIES OPEN FOR CIRCUITS																				
		NUMBER				Fp																				
SALEABLE	NOT APPLICABLE	34566-9633	9	B	ST GRAY	72	71	70	69	68	67		65	64	63		61	60	59		57	56	55	54	53	
						52	51	50	49	48	47	46	45	44	43	42		40	39				36	35	34	33
						73				32	31	30	29	28	27	26	25	24	23	22	21	20				3
SALEABLE	NOT APPLICABLE	34566-9643	9	A	BLACK				69					64	63		61		59							
						52				48				44	43		41		39	38				35	34	
						73						30	29							10						5
SALEABLE	NOT APPLICABLE	34566-9653	9	G	BLUE	80													66	65						
							59		57																	
							39									30										
SALEABLE	NOT APPLICABLE	34566-9663	0	B	ST GRAY	72	71	70	69	68	67	66	65	64	63		61			58	57	56	55	54	53	
						52	51	50	49	48	47	46	45	44			40				37	36	35	34	33	
						73				32		30	29	28		26	25	24			21					
SALEABLE	NOT APPLICABLE	34822-0533	9	C	BLUE	64	63			60	59		57	56	55		53	52	51	50	49	66				
						48	47	46	45			42			39	38		36	35	34	33					
						65				32		30	29	28	27	26	25	24	23	22			20			18
SALEABLE	NOT APPLICABLE	34822-0543	0	A	BLACK	64	63	62	61	60	59					54	53		51		49	66				
							47								38	37		35			33					
						65							28			25	24		22	21		20	19	18	17	
SALEABLE	NOT APPLICABLE	34822-0553	0	A	BLACK	64	63								54	53		51		49	66					
														38	37		35		33							
						65					31		28				24	23		21		20	19	18	17	
SALEABLE	NOT APPLICABLE	34822-0563	0	C	BLUE	64	63	62		60	59		57	56	55	54	53	52	51	50	49	66				
						48	47	46	45			42			39		37	36	35	34	33					
						65				32		30	29	28	27	26		24	23	22				19	18	17
SALEABLE	NOT APPLICABLE	34566-9673	0	C	BLUE	72	71	70	69		67	66	65	64				60			56			54		
						52	51	50	49		47	46	45	44				40	39	38					34	
						73					31	30	28			26	25	24	23	22	21	20				
SALEABLE	NOT APPLICABLE	34566-9683	0	B	ST GRAY	72	71	70	69	68	67	66	65	64	63		61	60		57	56	55	54			
						52	51	50	49	48	47	46	45	44	43		41	40		38	37	36	35		33	
						73				32	31	30	29	28		26		24	23	22	21	20	19			
SALEABLE	NOT APPLICABLE	34566-9693	0	A	BLACK	72		70			67					63			60	59	58	57	56	55	53	
						52	51			48	47				43	42		40	39	38	37	36	35			33
						73							28													
SALEABLE	NOT APPLICABLE	34566-9713	0	B	ST GRAY					68	67	66	65	64					59	58	57		55	54	53	
							51	50	49	48		46	45		43	42		40	39	38	37			35		33
						73				32	31	30				26		24	23	22		20				
SALEABLE	NOT APPLICABLE	34566-9723	0	B	ST GRAY																					
							51	50	49	48	47	46	45		43			40			37	36				
						73				32		30	29	28		26	25	24			21			19		
SALEABLE	NOT APPLICABLE	34566-9733	0	A	BLACK	72	71	70			67	66						59						53		
						52	51	50			47	46						39			37			35		33
						73						30	29	28	27	26				21						
SALEABLE	NOT APPLICABLE	34822-0573	0	A	BLACK	64	63									54	53		51		49	66				
															38	37		35		33						
						65							28					24		22		20	19	18	17	

MX123 52/66/73/80-WAY RECEPTACLE ASSY SEALED PIN OUT SHEET

STATUS	GM PART #	HRNS CONN ASSY			TPA	GROMMET CAP																							
		MATERIAL/PART	WIRE DRESS OPTION	KEY OPTION Fp	COLOR OPTION Fp	NUMBERS INDICATE CAVITIES OPEN FOR CIRCUITS																							
		NUMBER				Fp																							
SALEABLE	NOT APPLICABLE	34822-0653	0	A	BLACK	64	63	62	61		59					54	53			49	66								
											31			28				24		22	21	20	19	18	17				
						65					15	14	13	12				8	7				4	3	2	1			
SALEABLE	NOT APPLICABLE	34566-9833	9	B	ST GRY	72	71	70	69	68	67			64	63		61			58	57	56	55	54	53				
						52	51	50	49	48	47			44	43		41			38	37	36				33			
						73					32		30	29	28		26	25	24	23	22	21	20						
SALEABLE	NOT APPLICABLE	34566-9843	9	A	BLACK	72	71	70			67	66	65	64	63	62	61		59					55	54	53			
						52	51	50			47	46	45	44	43	42	41	40	39						37	36	35	34	33
						73							30	29														18	17
SALEABLE	NOT APPLICABLE	34566-9853	9	B	ST GRY	72	71	70	69	68	67			65	64	63	62	61	60	59	58	57	56	55	54	53			
						52	51	50	49	48	47	46	45	44	43	42		40	39					36	35	34	33		
						73					32	31	30	29	28	27	26	25	24	23	22	21	20						
SALEABLE	NOT APPLICABLE	34566-9863	0	B	ST GRY	72	71	70	69	68	67			65	64	63	62	61	60	59		57	56	55	54	53			
						52	51	50	49	48	47	46	45	44	43	42		40	39					36	35	34	33		
						73					32	31	30	29	28	27	26	25	24	23	22	21							
SALEABLE	NOT APPLICABLE	34566-0004	0	A	BLACK	72	71	70	69		67			64	63		61	60	59		57	56	55	54	53				
						52	51			48			45	44	43		41	40	39	38	37	36	35	34	33				
						73					31	30	29		27	26	25		22						19	18			
SALEABLE	NOT APPLICABLE	34566-0014	0	G	BLUE	80	79	78	77		75								66	65	64		62						
							59		57										46				43	42	41				
							39	38	37		35		33	32		30				26	25	24			22	21			
SALEABLE	NOT APPLICABLE	34566-0024	0	G	BLUE	20		18	17	16	15			12				8	7	6	5		3	2	1				
SALEABLE	NOT APPLICABLE	34566-0034	0	G	BLUE	80	79	78			75							66	65	64		62							
							59		57				53						46				43	42	41				
							39	38	37		35		33	32		30				26	25	24			22	21			
SALEABLE	NOT APPLICABLE	34566-0044	0	A	BLACK	72	71	70	69		67			64			61	60	59		57	56	55	54	53				
						52	51			48			45	44			41	40	39	38	37	36	35	34	33				
						73					31	30	29		27	26	25		22					19	18				
SALEABLE	NOT APPLICABLE	34566-0054	0	G	BLUE	80	79	78	77		75							66	65	64		62							
							59		57										46				43	42	41				
							39	38	37		35		33			30				26	25	24			22	21			
SALEABLE	NOT APPLICABLE	34566-0064	0	A	BLACK	72	71	70	69		67			64	63		61	60	59		57	56	55	54	53				
						52	51			48			45	44	43		41	40	39	38	37	36	35	34					
						73					31	30	29		27	26	25		22					19	18				
SALEABLE	NOT APPLICABLE	34566-0084	0	A	BLACK			70	69		67			64			61	60	59		57	56	55	54	53				
						52	51			48			45	44			41	40	39	38	37	36	35	34	33				
						73					31	30	29		27	26	25		22					19					
SALEABLE	NOT APPLICABLE	34566-0094	0	B	ST GRY	72	71	70	69	68	67			65	64	63	62	61	60	59		57	56	55	54	53			
						52	51	50	49	48	47	46	45	44	43	42		40	39				36	35	34	33			
						73					32	31	30	29	28	27	26	25	24	23	22	21							
SALEABLE	NOT APPLICABLE	34566-0104	0	B	ST GRY	72	71	70	69	68	67			65	64	63	62	61	60	59		57	56	55	54	53			
								50	49	48	47	46		44	43	42		40	39				36	35	34	33			
						73					32	31	30	29	28	27	26	25	24	23	22	21							

