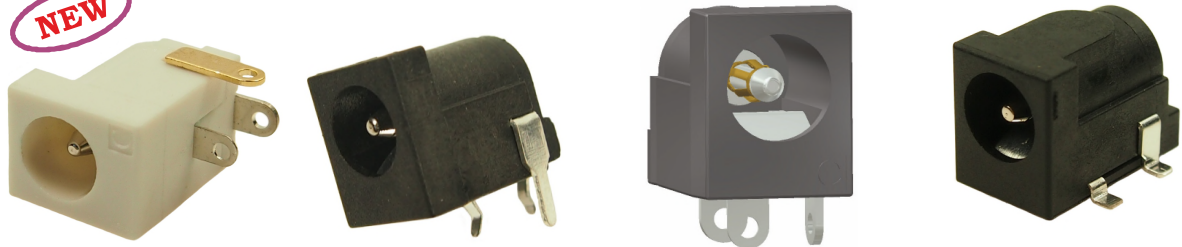


CLIFF

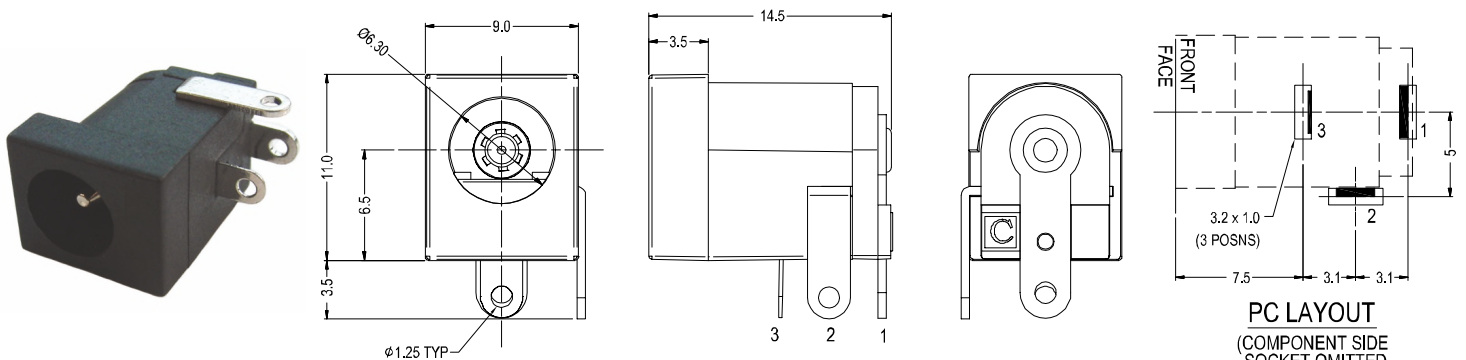
DC10L DUAL DC SOCKET Accepts 2.1mm & 2.5mm Plugs

NEW



DC10L NOW AVAILABLE IN WHITE

- Body material is PBT for superior temperature characteristics.
- Contacts are Copper alloy / Tin plated.
- Available in 90° PCB mounting or Solder tag / Chassis mounting.
- RoHS compliant.
- UK Patent No: 2447648, USA Patent No: 7648380



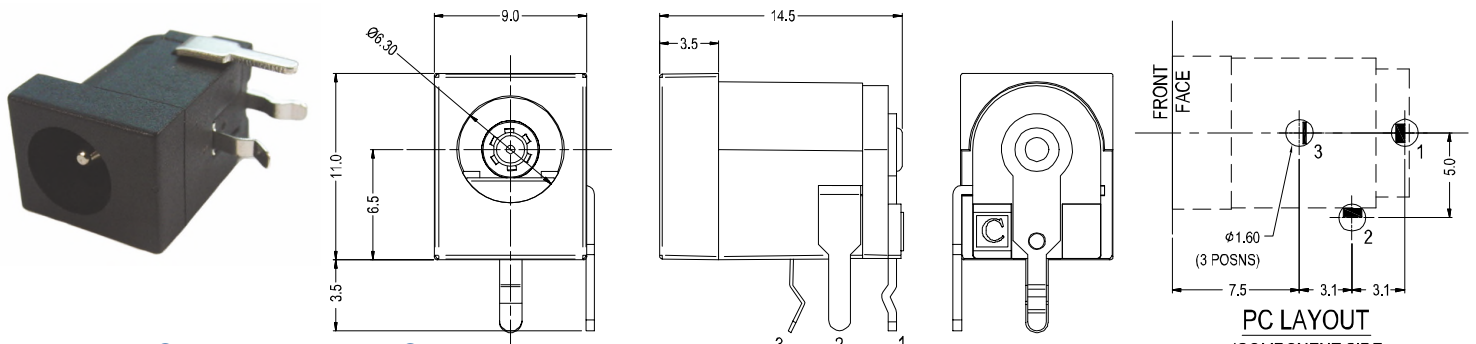
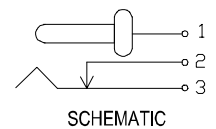
**Part No. FC681465 - BLACK
FCR681466 - WHITE**

SPECIFICATION

RATED: 5A / 12V DC.

LIFE: 5,000 INSERTIONS MINIMUM.

INSULATION RESISTANCE BETWEEN ANY OPEN CONTACT: >100MW @ 500V DC.

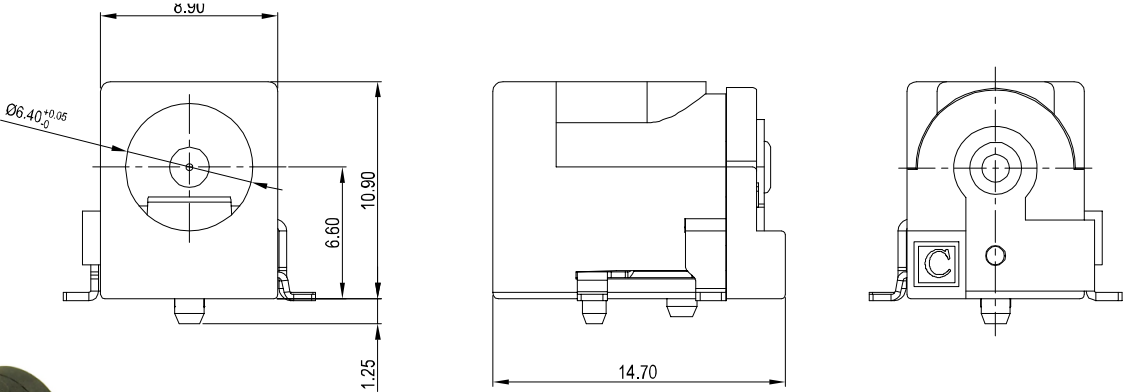


**Part No. FC681465P - BLACK
FCR681466P - WHITE**



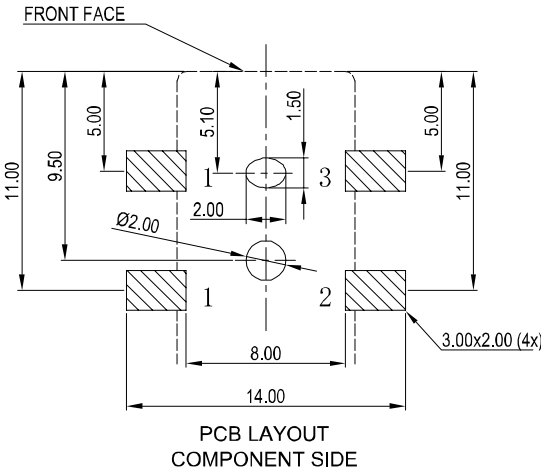
DC10LS SMD DUAL DC SOCKET

Accepts 2.1mm & 2.5mm Plugs



Part No. FC681465S

Also supplied taped
Part No. FC681465ST

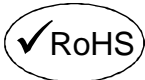


SPECIFICATION

RATED: 2A / 12V DC.
INSERTION / WITHDRAWAL FORCE: 0.3-2 kgf.
LIFE: 5,000 INSERTIONS MINIMUM.
CONTACT RESISTANCE:
INITIAL: PLUG / CONTACT <50mΩ, CONTACT / SHUNT <30mΩ.
AFTER LIFE TEST: PLUG / CONTACT <100mΩ, CONTACT / SHUNT <60mΩ.

For further information, contact sales@cliffuk.co.uk

Cliff Electronic Components Limited,
76 Holmethorpe Avenue, Holmethorpe Ind. Estate,
Redhill, Surrey RH1 2PF U.K.
Tel: +44 (0)1737 771375 Fax: +44 (0)1737 766012



www.cliffuk.co.uk