

MODEL NUMBER	DESCRIPTION	SCREWS SUPPLIED	FIGURE
BJ157F-2C	2 HOLE, \varnothing .103 CLEARANCE	—	1
BJ157F-2T	2 HOLE, THREADED 3-56 UNF-2B	—	
BJ157F-2CS	2 HOLE, \varnothing .103 CLEARANCE	PAN HEAD 3-56 X 5/16	
BJ157F-2TS	2 HOLE, THREADED 3-56 UNF-2B	PAN HEAD 3-56 X 5/16	
BJ157F-4C	4 HOLE, \varnothing .103 CLEARANCE	—	2
BJ157F-4T	4 HOLE, THREADED 3-56 UNF-2B	—	
BJ157F-4CS	4 HOLE, \varnothing .103 CLEARANCE	PAN HEAD 3-56 X 5/16	
BJ157F-4TS	4 HOLE, THREADED 3-56 UNF-2B	PAN HEAD 3-56 X 5/16	

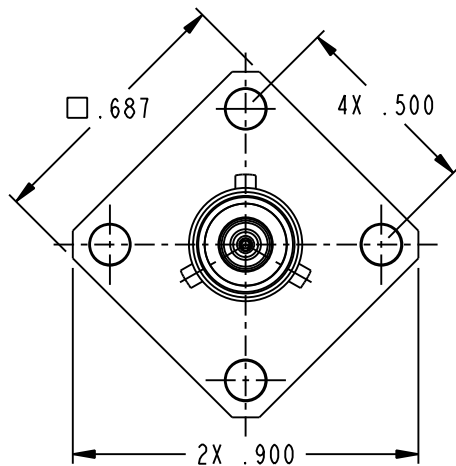
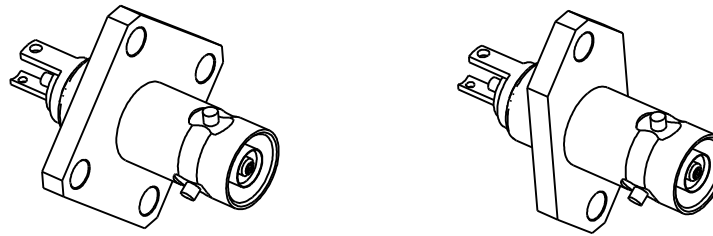


FIGURE 2
BJ157F-4C SHOWN

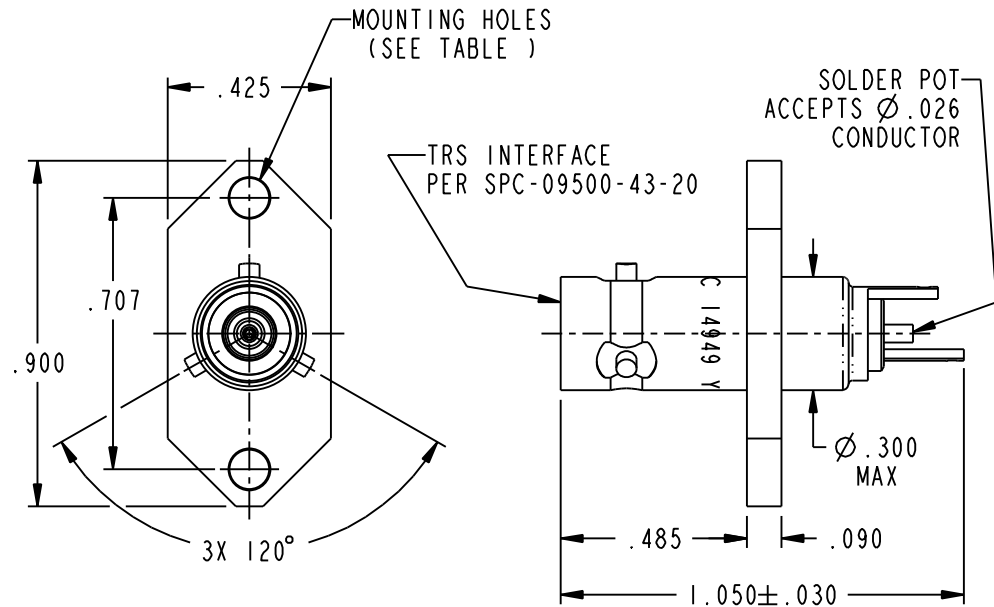


FIGURE 1
BJ157F-2C SHOWN

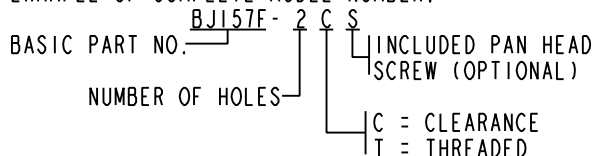
NOTES: UNLESS OTHERWISE SPECIFIED.

1. MATERIAL & FINISH:
 - 1.1 BODY: NICKEL PLATED BRASS
 - 1.2 INSULATOR: PTFE (TEFLON)
 - 1.3 INTERMEDIATE CONTACT: GOLD PLATED BRASS
 - 1.4 DIELECTRIC: PTFE (TEFLON)
 - 1.5 CENTER CONTACT: GOLD PLATED BERYLLIUM COPPER
 - 1.6 SCREWS: STAINLESS STEEL

2. ELECTRICAL:
 - 2.1 FREQUENCY (MAX): 500 MHz
 - 2.2 IMPEDANCE: NON-CONSISTENT

3. PANEL THICKNESS (MAX): .187

4. EXAMPLE OF COMPLETE MODEL NUMBER:



 <small>This PROPRIETARY Document is property of Cinch Connectivity Solutions. It is confidential in nature, non-transferable, and issued with the clear understanding that it is not to be traced or copied without permission and is returnable upon demand.</small> <small>INTERPRET DRAWING IN ACCORDANCE WITH ASME Y14.5-2009.</small>	3RD ANGLE PROJECTION 	TROMPETER	
	RoHS2 <input checked="" type="checkbox"/> 2011/65/EU <small>UNLESS OTHERWISE SPECIFIED UNITS: INCH</small> .XX ± .02 .XXX ± .010 ANGLES ± 2°	Title: TRS 2 OR 4 HOLE FLANGE MOUNT BULKHEAD MOUNT JACK Model No.: BJ157F-XXX Size: A	DO NOT SCALE DRAWING