

**NOTES:**  
**ELECTRICAL**

1. VOLTAGE RATING : 30 VDC RMS
2. CURRENT RATING : 0.5AMP MAX PER CONTACT
3. CONTACT RESISTANCE : 30 MILLIOHMS MAX.
4. INSULATION RESISTANCE : 1000 MEGOHMS MIN
5. WITHSTANDING VOLTAGE : 500 VAC RMS 60Hz , 1MIN
6. OPERATING LIFE : 10000 CYCLES MIN @ 500 VCD

**MECHANICAL :**

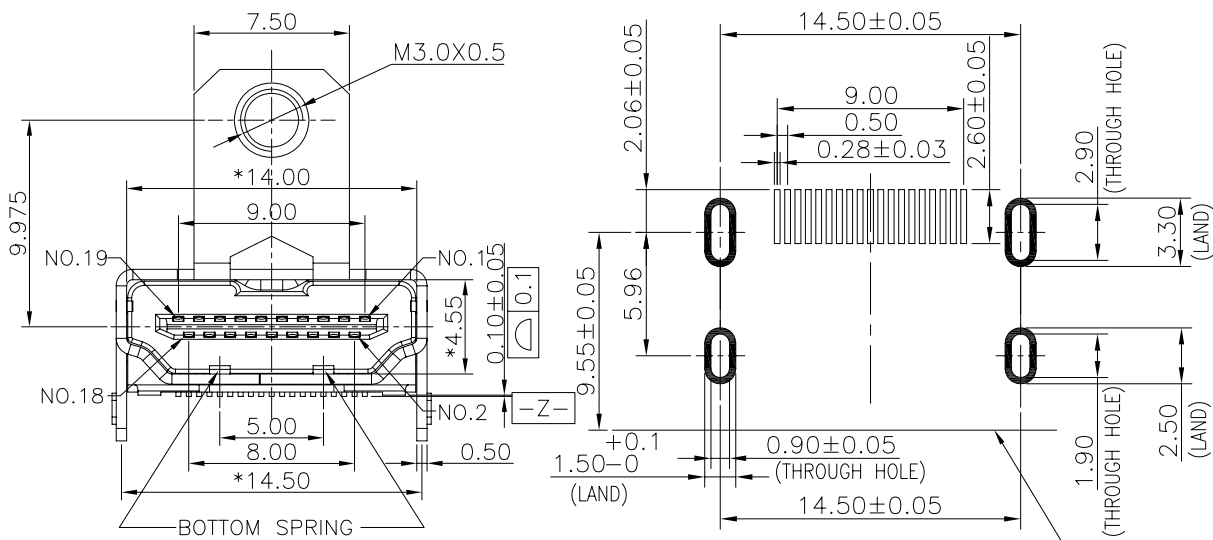
1. HOUSING MATERIAL : NYLON+30%G.F UL94V-0.COLOR:BLACK.
2. CONTACT MATERIAL : PHOSPHOR BRONZE 0.20mm THICKNESS
3. PLATING : 1: CONTACT AREA - SELECTIVE GOLD PLATING  
2: TAILS- 120U" MIN OVER NICKEL.
4. SHIELD MATERIAL : PHOSPHOR BRONZE 0.50mm THICKNESS
5. PLATING : PLATED NICKEL.

**ENVIRONMENTAL:**

1. STORAGE : -40°C TO +85°C
2. OPERATION : -40°C TO +85°C
3. IR REFLOW PEAK SOLDERING TEMPERATURE: 255°C TO 265°C(5-10 SECONDS).
4. RoHS COMPLIANT.
5. FRE OLD DRAWING NUMBER:GE813027-LA.

**TABLE**

RoHS PART NUMBER	REV	HS'G MATERIAL	COLOR	UTP/STP TYPE	PIN NUMBER	PLATING Au
E810K-SAY203-L	A	NYLON+GF30%	BLACK	STP/DIP FEET TYPE	19 PINS	15U"
E810K-SAY204-L	A	NYLON+GF30%	BLACK	STP/DIP FEET TYPE	19 PINS	30U"



PCB Layout Component Side Shown

The drawing Can Only Supply To Customer

DETACHED LISTS	MM (INCH)	<b>RoHS Compliant</b>				
	TOLERANCES EXCEPT AS NOTED		TITLE <b>HDMI CONNECTOR WITH PANEL A TYPE</b>			
	MM					
.0 ± 0.2	±	DFTO Yumei		DRAWING NO. CE810K-SAY20X-L		
.00 ± 0.15	±	DATE 02/14/2007		/PART NO. E810K-SAY20X-L		
.000 ± 0.075	±	SCALE : 2.5:1		DO NOT SCALE DRAWING		
ANGLES ± 0.5		SHEET 1		OF 1		
THIRD ANGLE PROJECTION						