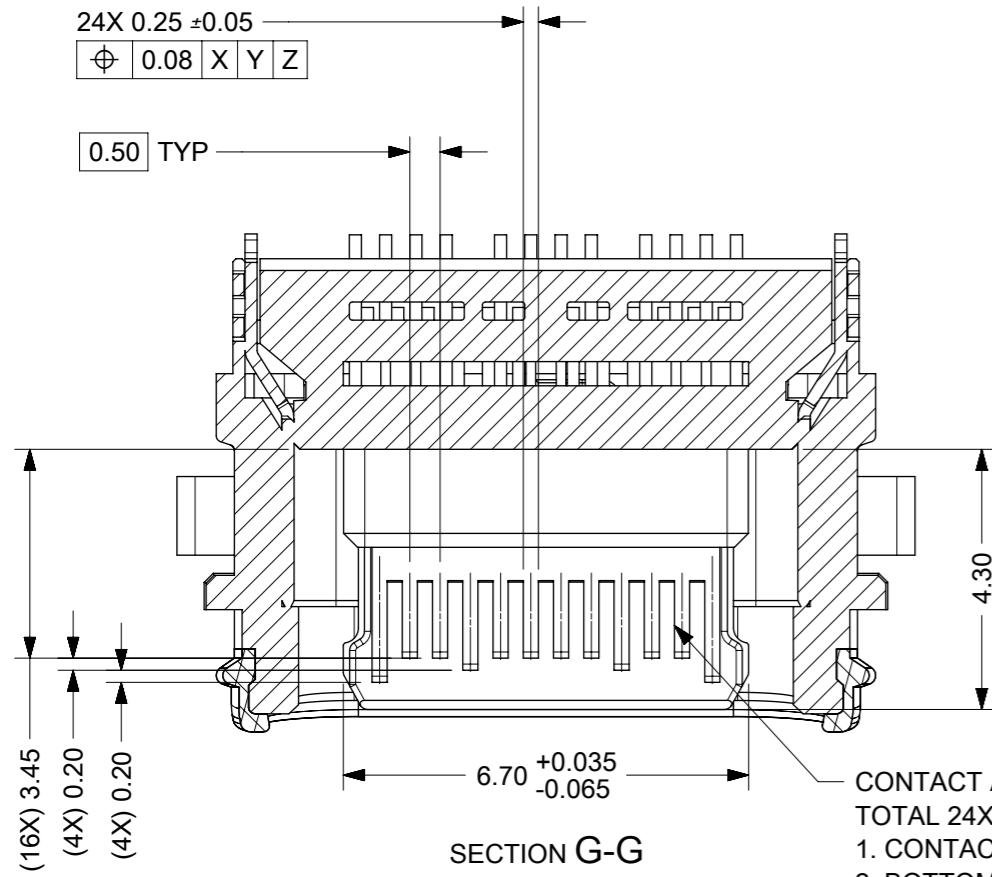
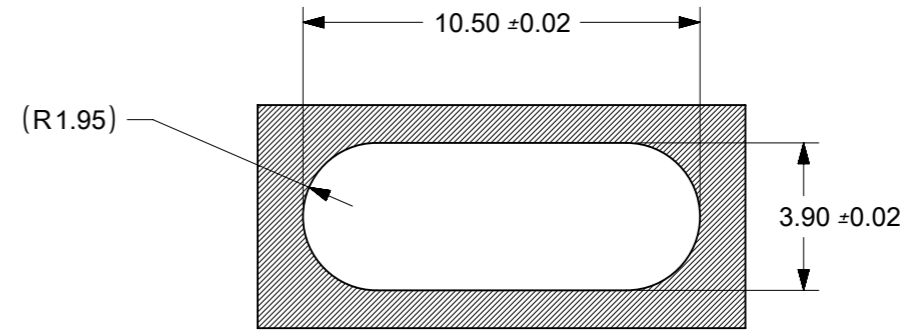


THIS DRAWING CONTAINS INFORMATION THAT IS PROPRIETARY TO MOLEX ELECTRONIC TECHNOLOGIES, LLC AND SHOULD NOT BE USED WITHOUT WRITTEN PERMISSION

2017/02/27	2017/05/02	GENERAL TOLERANCES (UNLESS SPECIFIED)		DIMENSION UNITS	SCALE	molex [®]				
		ANGULAR TOL ± 3.0 °		MM	10:1					
EC NO: 116015 DRWN: RLI09 CHK'D: APPR: RZHANG	RZHANG	4 PLACES	±	DRWN BY	DATE	24PIN TYPE C RECEPTACLE				
		3 PLACES	±	RLI09	2016/08/17					
		2 PLACES	± 0.2	CHK'D BY	DATE	PRODUCT CUSTOMER DRAWING				
		1 PLACE	± 0.2	APPR BY	DATE					
0 PLACES	±	RZHANG	2016/09/14	SERIES	MATERIAL NUMBER	CUSTOMER				
DRAFT WHERE APPLICABLE MUST REMAIN WITHIN DIMENSIONS		DRAWING SIZE	THIRD ANGLE PROJECTION	202410		2024100002				
D	REV			A3	DOCUMENT NUMBER		DOC TYPE	DOC PART	SHEET NUMBER	
					2024100001		PSD	000	1 OF 4	



CONTACT AREA PLATING:
 TOTAL 24X TERMINALS
 1. CONTACT SURFACE PLATED Au 0.75um MIN.
 2. BOTTOM AND TWO SIDE SURFACES PLATED GOLD FLASH

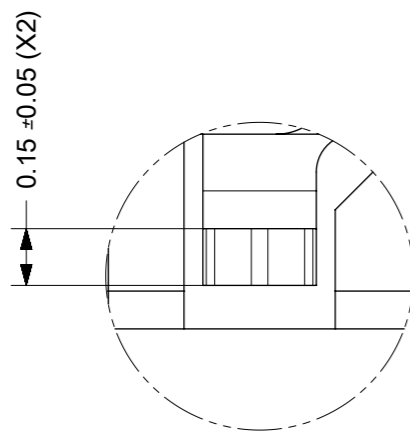


RECOMMENDED OPENING DIMENSIONS OF CASE MATING AREA WITH SEALING RING

NOTES:

1. MATERIAL AND PLATING SEE TABLE
2. PRODUCT SPEC REFER TO 2024100002
3. PACKAGE SPEC REFER TO 2024100007
4. SOLDER TAIL POSITION BE CONTROLLED BY GAUGE
5. PRODUCT COMPLANT TO ROHS DIERTIVE 2011/65/EU AND ELV DIRECTIVE 2000/53/EC

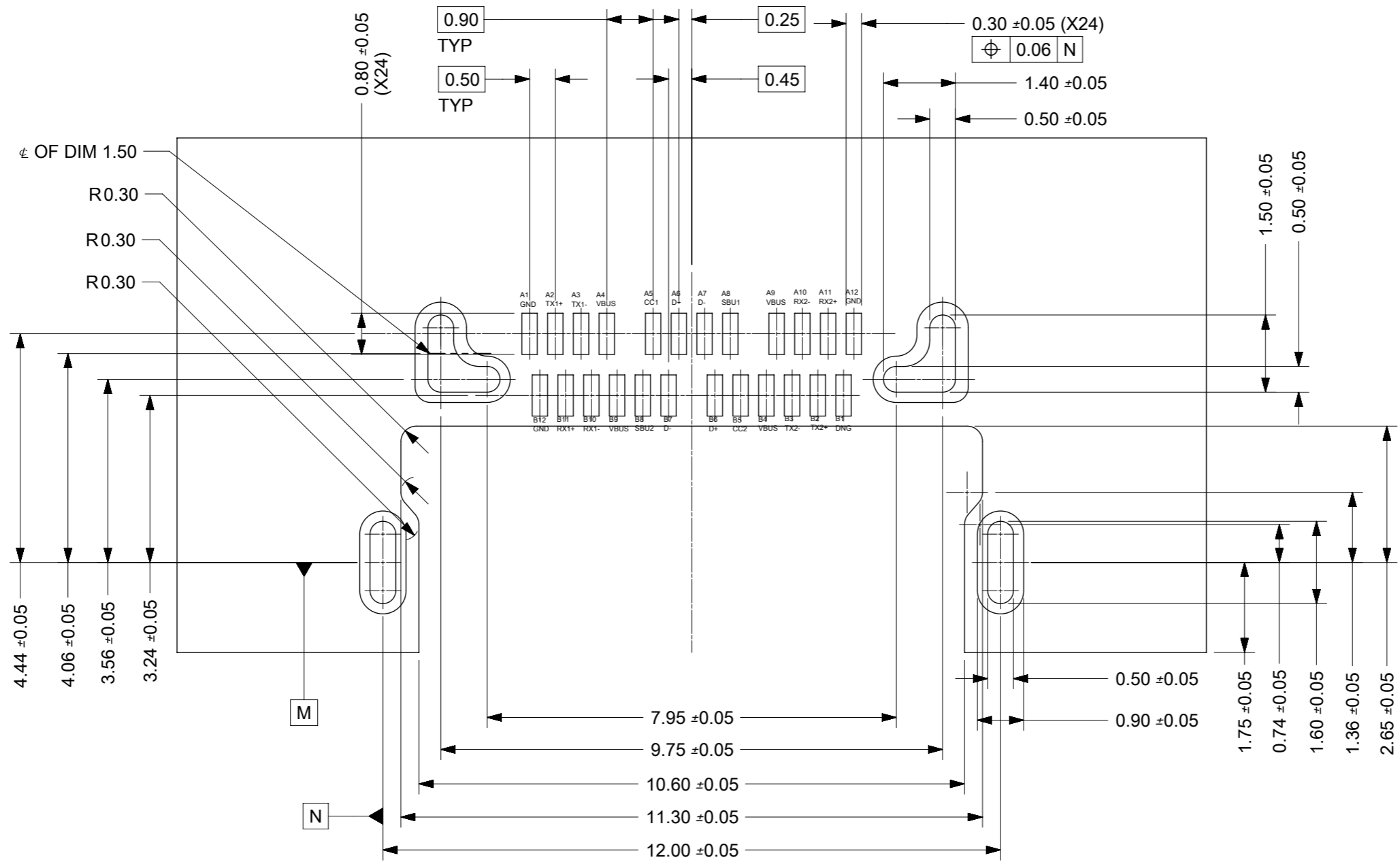
ITEM	PART NAME	MATERIAL	REMARK
1	L-TERMINAL	COPPER ALLOY	CONTACT AREA: DETAILS REFER TO DRAWING SOLDER TAIL: 0.025 MICROMETER MIN. GOLD PLATING UNDER PLATING: 2 MICROMETER MIN. NICKEL PLATING OVERALL
2	U-TERMINAL	COPPER ALLOY	
3	MID BLADE	STAINLESS STEEL	1 MICROMETR MIN. SOLDERABLE NICKEL PLATING OVERALL
4	I/M TONGUE	PLASTIC	UL94V-0
5	O/M RESIN SHELL	PLASTIC	UL94V-0
6	O/M METAL SHELL	STAINLESS STEEL	1 MICROMETR MIN. SOLDERABLE NICKEL PLATING OVERALL
7	MAIN SHELL	STAINLESS STEEL	1 MICROMETR MIN. SOLDERABLE NICKEL PLATING OVERALL
8	LIM	RUBBER	N/A



DETAIL D
SCALE 50:1

THIS DRAWING CONTAINS INFORMATION THAT IS PROPRIETARY TO MOLEX ELECTRONIC TECHNOLOGIES, LLC AND SHOULD NOT BE USED WITHOUT WRITTEN PERMISSION

EC NO: 116015 DRWN: RLI09 CHK'D: REV APPR: RZHANG	2017/02/27	GENERAL TOLERANCES (UNLESS SPECIFIED) ANGULAR TOL ± 3.0 ° 4 PLACES ± 3 PLACES ± 2 PLACES ± 0.2 1 PLACE ± 0.2 0 PLACES ± DRAFT WHERE APPLICABLE MUST REMAIN WITHIN DIMENSIONS	DIMENSION UNITS	SCALE	molex®					
	2017/05/02		MM	1:1						
				DRWN BY	DATE	24PIN TYPE C RECEPTACLE				
				RLI09	2016/08/17					
				CHK'D BY	DATE	PRODUCT CUSTOMER DRAWING				
				APPR BY	DATE	SERIES	MATERIAL NUMBER	CUSTOMER		
				RZHANG	2016/09/14	202410	2024100002			
				DRAWING SIZE	THIRD ANGLE PROJECTION	DOCUMENT NUMBER		DOC TYPE	DOC PART	SHEET NUMBER
				A3		2024100001		PSD	000	2 OF 4

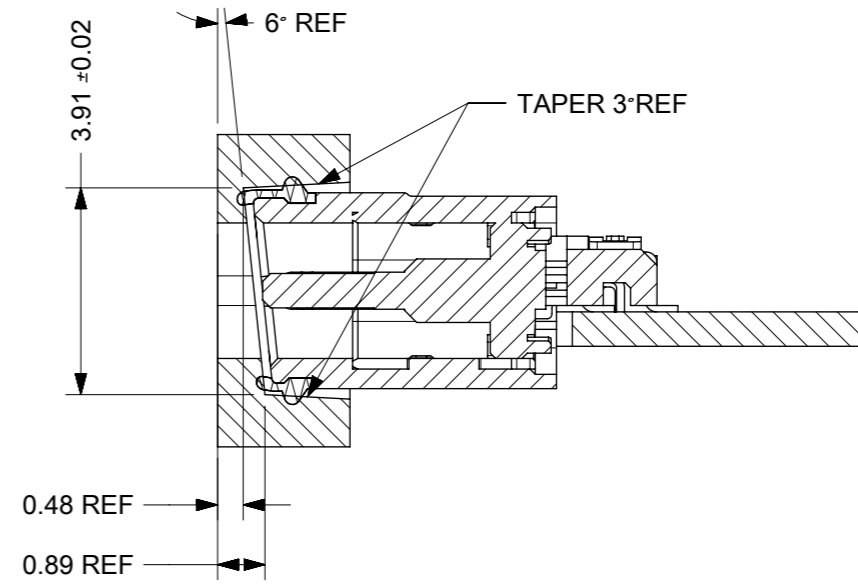
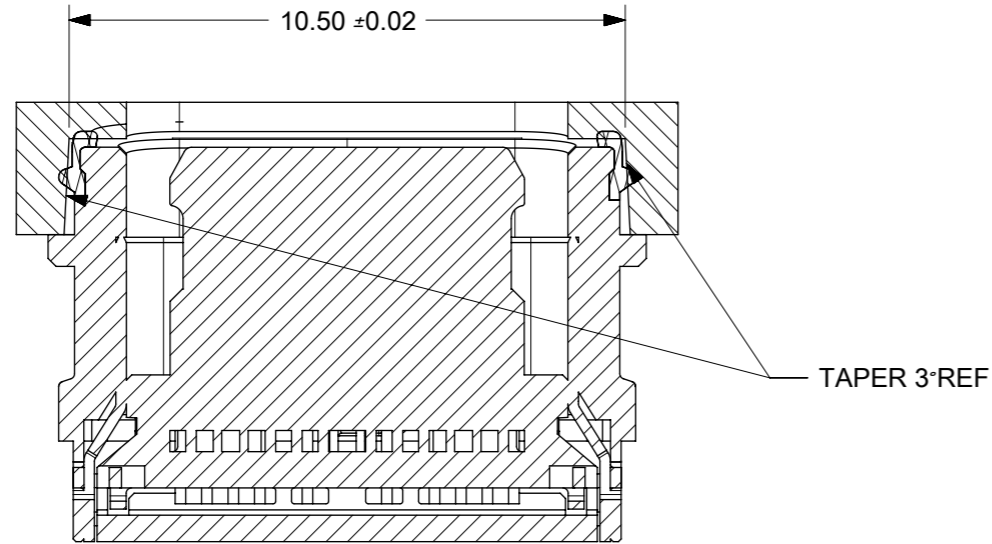
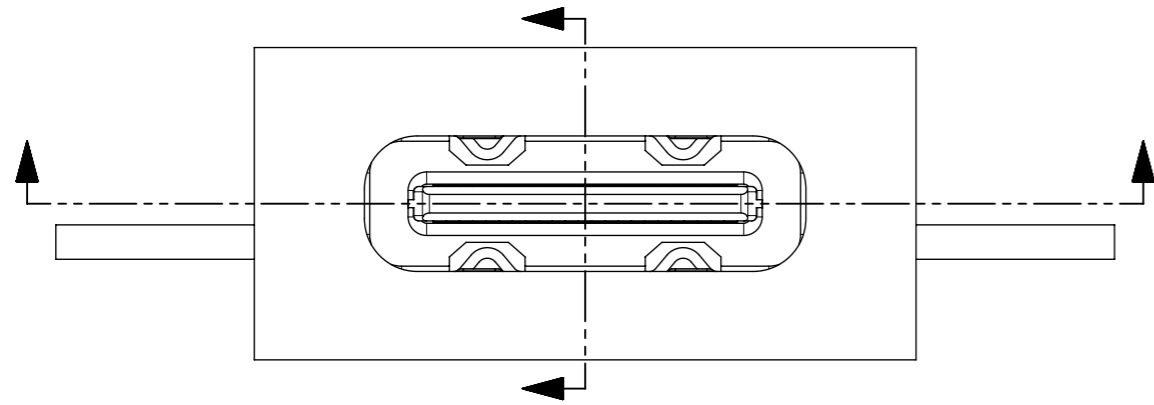


RECOMMENDED PCB LAYOUT

THIS DRAWING CONTAINS INFORMATION THAT IS PROPRIETARY TO MOLEX ELECTRONIC TECHNOLOGIES, LLC AND SHOULD NOT BE USED WITHOUT WRITTEN PERMISSION

EC NO: 116015 DRWN: RLI09 CHK'D: APPR: RZHANG	2017/02/27	GENERAL TOLERANCES (UNLESS SPECIFIED) ANGULAR TOL ± 3.0 ° 4 PLACES ± 3 PLACES ± 2 PLACES ± 0.2 1 PLACE ± 0.2 0 PLACES ± DRAFT WHERE APPLICABLE MUST REMAIN WITHIN DIMENSIONS	DIMENSION UNITS	SCALE					
	2017/05/02		MM	10:1					
	REV		DATE	DRWN BY	DATE	24PIN TYPE C RECEPTACLE			
	D			RLI09	2016/08/17				
				CHK'D BY	DATE	PRODUCT CUSTOMER DRAWING			
		RZHANG	2016/09/14						
		APPR BY	DATE	DRAWING SIZE	THIRD ANGLE PROJECTION	SERIES	MATERIAL NUMBER	CUSTOMER	
				A3		202410	2024100002		
						DOCUMENT NUMBER	DOC TYPE	DOC PART	SHEET NUMBER
						2024100001	PSD	000	3 OF 4

CONNECTOR VS MIAN CASE RELATIVE POSITION



THIS DRAWING CONTAINS INFORMATION THAT IS PROPRIETARY TO MOLEX ELECTRONIC TECHNOLOGIES, LLC AND SHOULD NOT BE USED WITHOUT WRITTEN PERMISSION

EC NO: 116015 DRWN: RLI09 CHK'D: APPR: RZHANG	2017/02/27	GENERAL TOLERANCES (UNLESS SPECIFIED) ANGULAR TOL ± 3.0 ° 4 PLACES ± 3 PLACES ± 2 PLACES ± 0.2 1 PLACE ± 0.2 0 PLACES ± DRAFT WHERE APPLICABLE MUST REMAIN WITHIN DIMENSIONS	DIMENSION UNITS	SCALE				
	2017/05/02		MM	7:1				
	REV		DRWN BY	DATE	24PIN TYPE C RECEPTACLE			
	D		RLI09	2016/08/17				
			CHK'D BY	DATE	PRODUCT CUSTOMER DRAWING			
	RZHANG	2016/09/14						
	APPR BY	DATE	SERIES	MATERIAL NUMBER	CUSTOMER			
			202410	2024100002				
			DRAWING SIZE	THIRD ANGLE PROJECTION	DOCUMENT NUMBER	DOC TYPE	DOC PART	SHEET NUMBER
			A3		2024100001	PSD	000	4 OF 4