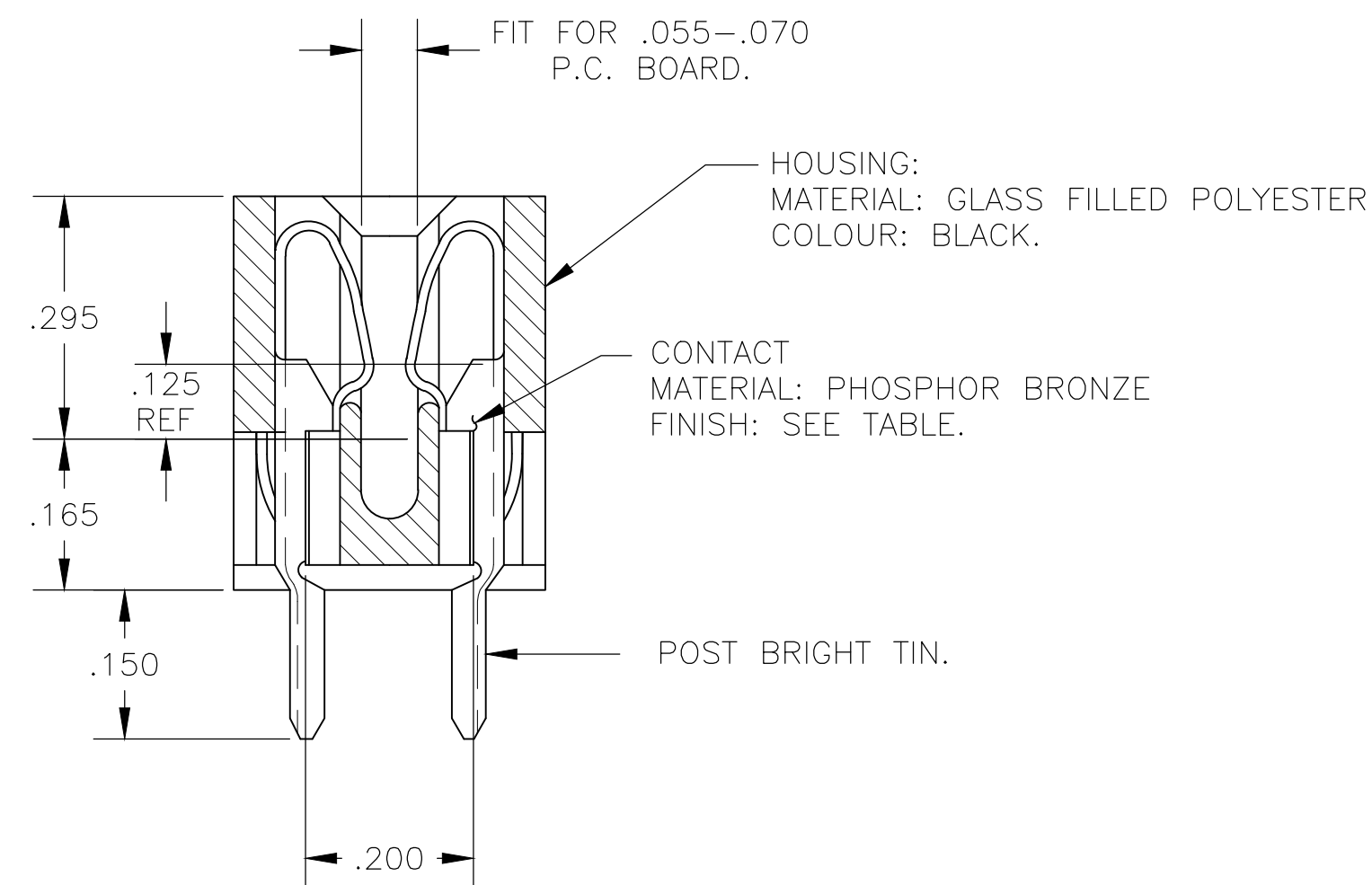
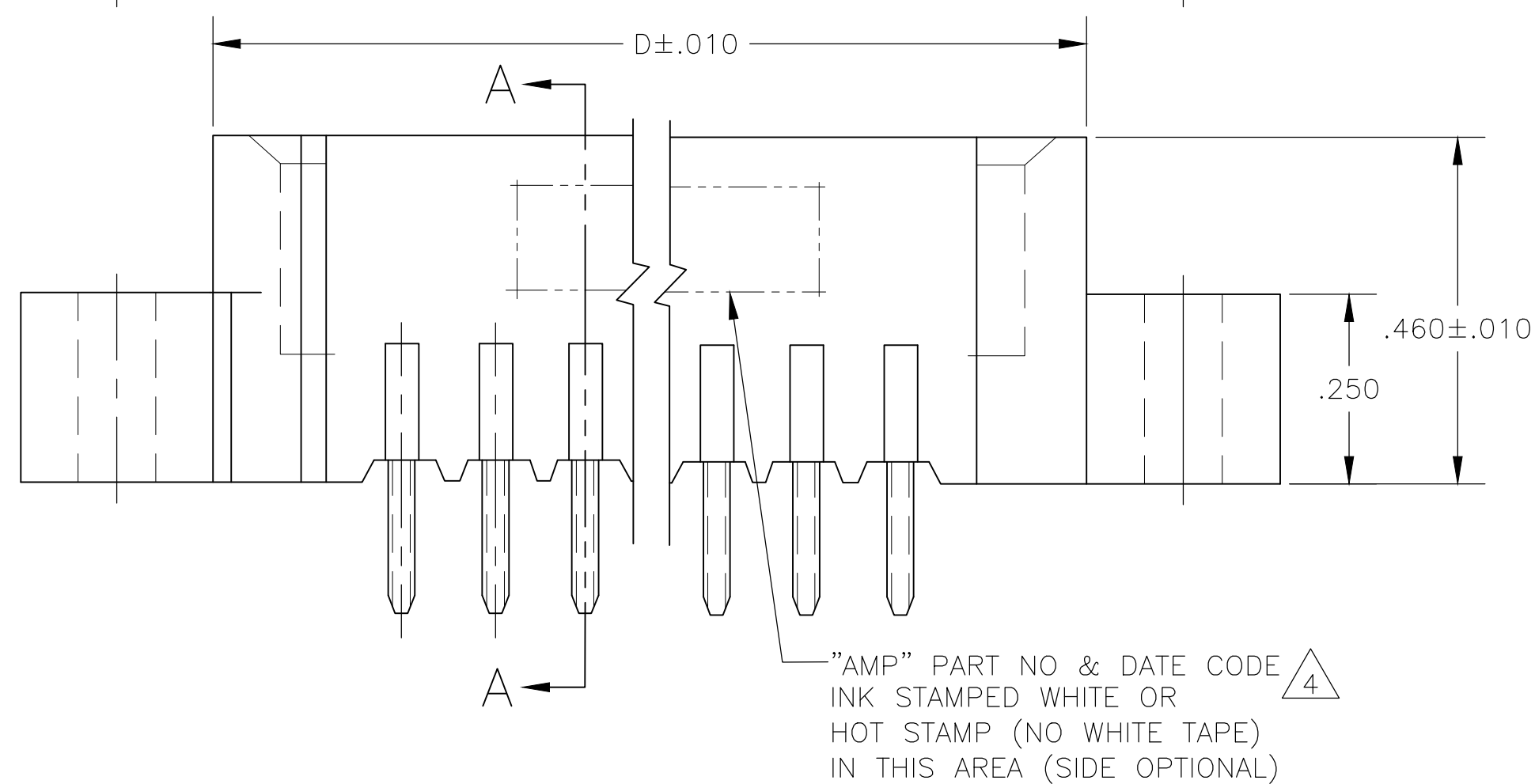
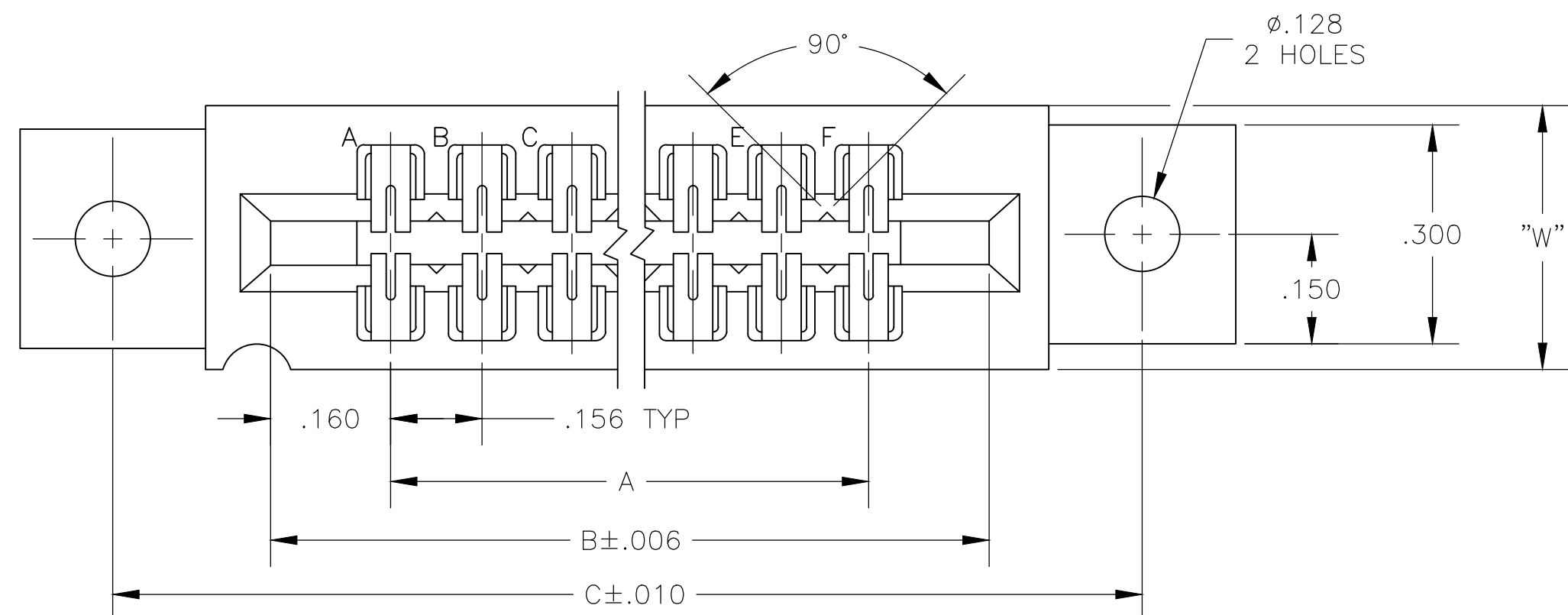
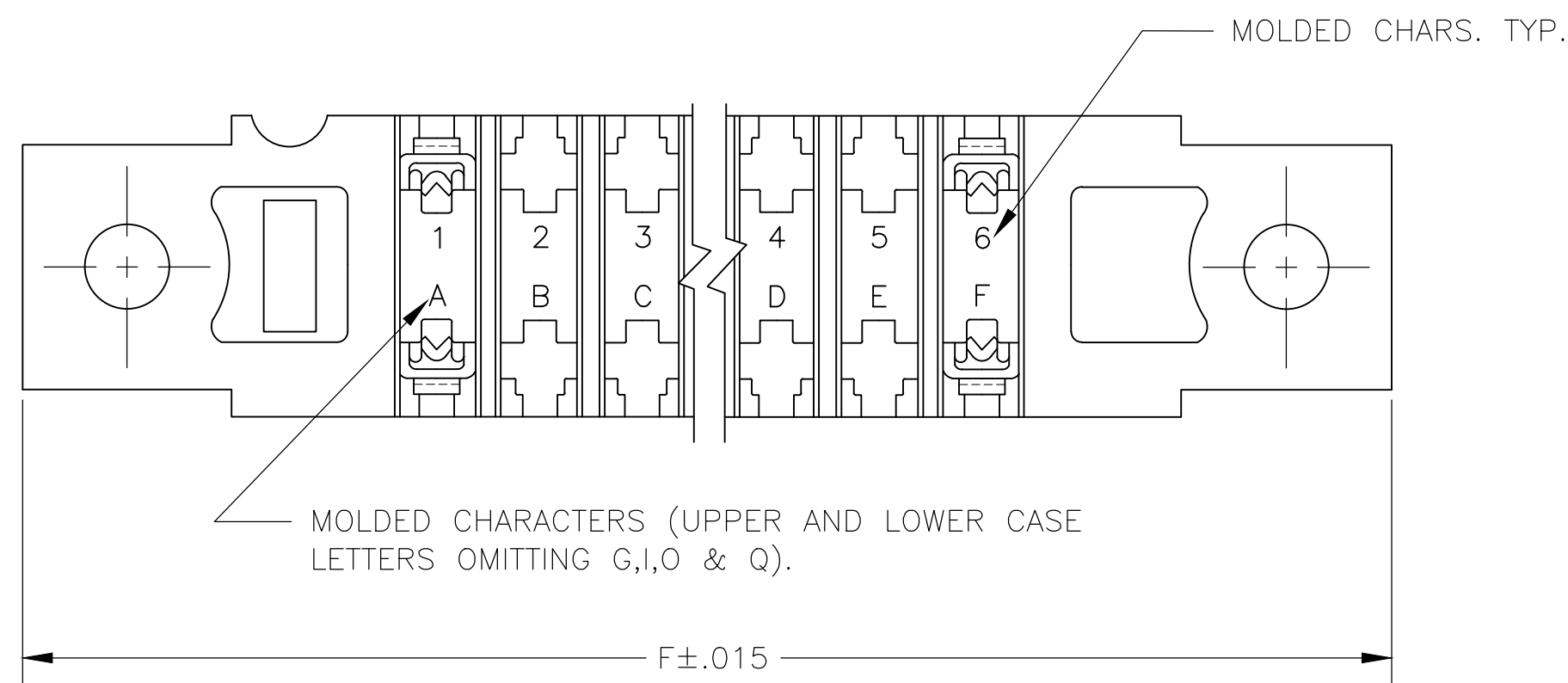


THIS DRAWING IS UNPUBLISHED. RELEASED FOR PUBLICATION  
 © COPYRIGHT - By - ALL RIGHTS RESERVED.

LOC		DIST		REVISIONS			
P	LTR	DESCRIPTION		DATE	DWN	APVD	
AD	00	M4	REVISED PER ECO-20-000170	21MAY2020	KR	JO	



SECTION A-A



MOLDED CHARACTERS (UPPER AND LOWER CASE LETTERS OMITTING G,I,O & Q).

THIS DRAWING IS A CONTROLLED DOCUMENT.		DWN	19MAR75		TE Connectivity		
DIMENSIONS: INCHES		CHK	20MAR75		NAME		
TOLERANCES UNLESS OTHERWISE SPECIFIED:		APVD	20MAR75		HOUSING ASSY, LOW PROFILE, EDGE CONNECTOR, FLOW SOLDER, FOR .052 DIA. HOLE,		
0 PLC ± - 1 PLC ± - 2 PLC ± - 3 PLC ± .005 4 PLC ± - ANGLES ± -		PRODUCT SPEC		SIZE	CAGE CODE	DRAWING NO	RESTRICTED TO
MATERIAL SEE CALL-OUT		FINISH SEE CALL-OUT	WEIGHT	A2	00779	C=530655	
CUSTOMER DRAWING				SCALE	4:1	SHEET	1 OF 2
				REV	M4		

THIS DRAWING IS UNPUBLISHED. RELEASED FOR PUBLICATION  
 © COPYRIGHT - By - ALL RIGHTS RESERVED.

LOC		DIST		REVISIONS			
AD	00	P	LTR	DESCRIPTION	DATE	DWN	APVD
		-		SEE SHEET 1	-	-	-

- △1 .000015 MIN GOLD OVER .000050 MIN. NICKEL IN CONTACT AREA.
- △2 .000030 MIN GOLD OVER .00005 MIN. NICKEL IN CONTACT AREA.
- △3 SELECTIVELY LOADED, OMIT CONTACTS IN CIRCUIT CAVITIES 14,16,18,S AND U
- △4 ALL PARTS ASSEMBLED IN MEXICO MUST BE STAMPED "ASSY IN MEXICO" THE WORD "MEXICO" CAN BE SUBSTITUTED ONLY WHERE PART SIZE PROHIBTS STAMPING "ASSY IN MEXICO", INK STAMP COLOUR WHITE OR HOT STAMP (NO WHITE TAPE) 115-9009, APPROX. WHERE SHOWN, SIDE OPTIONAL.
- △5 MATTE TIN PLATED CONTACT TAILS.
- △6 OBSOLETE PARTS: OBSOLETE CIS STREAMLINING PER D.RENAUD/D.SINISI

△5	-	43	6.552	6.872	7.307	7.012	.437	7.557	△6	<del>8-530655-3</del>
△5	-	28	4.212	4.532	4.967	4.672	.370	5.217	△6	<del>8-530655-2</del>
△5	-	36	5.460	5.780	6.215	5.920	.437	6.465	△6	<del>8-530655-0</del>
△5	-	30	4.524	4.844	5.279	4.984	.437	5.529		7-530655-9
△5	-	22	3.276	3.596	4.031	3.736	.370	4.281		7-530655-6
△5	-	18	2.652	2.972	3.407	3.112	.370	3.657		7-530655-5
△5	-	15	2.184	2.504	2.939	2.644	.370	3.189		7-530655-4
△5	-	12	1.716	2.036	2.471	2.176	.370	2.721		7-530655-3
△5	-	10	1.404	1.724	2.159	1.864	.370	2.409		7-530655-2
△5	-	6	.780	1.100	1.535	1.240	.370	1.785		7-530655-1
	-	18	2.652	2.972	3.407	3.112	.370	3.657		<del>3-530655-4</del>
	1-530655-3	43	6.552	6.872	7.307	7.012	.437	7.557		3-530655-3
	1-530655-2	28	4.212	4.532	4.967	4.672	.370	5.217		3-530655-2
	1-530655-1	44	6.708	7.028	7.463	7.168	.437	7.713		3-530655-1
	1-530655-0	36	5.460	5.780	6.215	5.920	.437	6.465		3-530655-0
	530655-9	30	4.524	4.844	5.279	4.984	.437	5.529	△6	2-530655-9
	530655-8	25	3.744	4.064	4.499	4.204	.370	4.749		2-530655-8
	530655-7	24	3.588	3.908	4.343	4.048		4.593		2-530655-7
	530655-6	22	3.276	3.596	4.031	3.736		4.281		2-530655-6
	530655-5	18	2.652	2.972	3.407	3.112		3.657		2-530655-5
	530655-4	15	2.184	2.504	2.939	2.644		3.189		2-530655-4
	530655-3	12	1.716	2.036	2.471	2.176		2.721		2-530655-3
	530655-2	10	1.404	1.724	2.159	1.864		2.409		2-530655-2
	530655-1	6	.780	1.100	1.535	1.240		1.785		2-530655-1
△1	PART NO	NO.OF. POSITION	A	B	C	D	W	F	△2	PART NO

OBSOLETE

THIS DRAWING IS A CONTROLLED DOCUMENT.		DWN	19MAR75	<b>STE</b> TE Connectivity
		CHK	20MAR75	
DIMENSIONS: INCHES		APVD	20MAR75	NAME HOUSING ASSY, LOW PROFILE, EDGE CONNECTOR, FLOW SOLDER, FOR .052 DIA. HOLE .156X.200 CTRS.
TOLERANCES UNLESS OTHERWISE SPECIFIED: 0 PLC ± - 1 PLC ± - 2 PLC ± - 3 PLC ± - 4 PLC ± - ANGLES ± -		PRODUCT SPEC		
MATERIAL SEE CALL-OUT		FINISH SEE CALL-OUT	WEIGHT	SIZE A2
		CUSTOMER DRAWING		CAGE CODE 00779
		SCALE 1:1		DRAWING NO C-530655
		SHEET 2 OF 2		RESTRICTED TO -
		REV M4		