

13 12 11 10 9 8 7 6 5 4 3 2 1

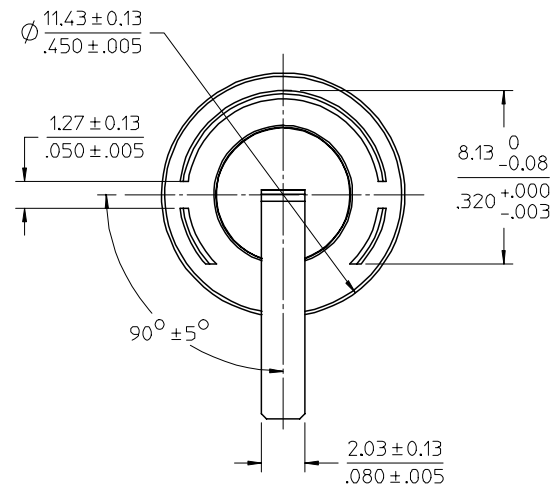
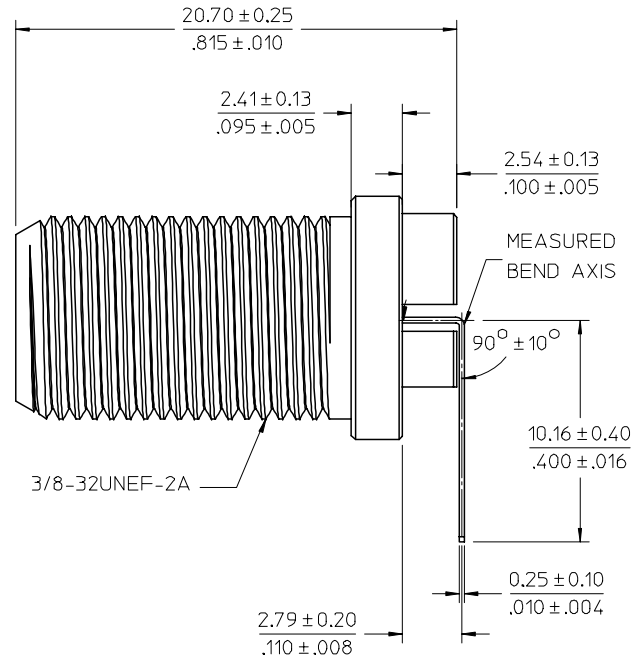
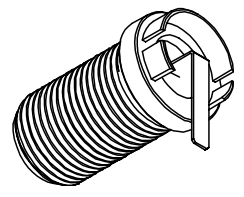
J
I
H
G
F
E
D
C
B
A

MATERIALS AND FINISHES

BODY BRASS
PLATED TIN

CENTER CONTACT
PHOSPHOR BRONZE
PLATED TIN

INSULATOR VALOX 310 SEO (WHITE)



PS-73598-0080	PERFORMANCE
SPECIFICATION	DESCRIPTION

LOAD TO WM
EC NO: URF2008-0189
DRAWN/CLL: 2007/10/15
CHKD: 2007/10/16
APPR: MJIANG
REV: 1

QUALITY SYMBOLS
 $\nabla=0$
 $\nabla=0$

GENERAL TOLERANCES (UNLESS SPECIFIED)

	mm	INCH
4 PLACES	± .15	± .005
3 PLACES	± .10	± .004
2 PLACES	± .075	± .003
1 PLACE	± .05	± .002

ANGULAR ± 2 °

DRAFT WHERE APPLICABLE
MUST REMAIN
WITHIN DIMENSIONS

DIMENSION STYLE
MM/IN

DRAWN BY	DATE
LILY	1991/09/25
CHECKED BY	DATE
SAM	1991/09/25
APPROVED BY	DATE
WALLY	1991/09/25

MATERIAL NO.
89713-0134

SCALE

DESIGN UNITS
METRIC

THIRD ANGLE PROJECTION

F PCB 75 OHM
RECEPTACLE
F-PCB

molex MOLEX INCORPORATED

DOCUMENT NO.
SD-89713-0134

SHEET NO.
1 OF 1

THIS DRAWING CONTAINS INFORMATION THAT IS PROPRIETARY TO MOLEX
INCORPORATED AND SHOULD NOT BE USED WITHOUT WRITTEN PERMISSION

12 11 10 9 8 7 6 5 4 3 2 1