

MATERIALS AND FINISHES

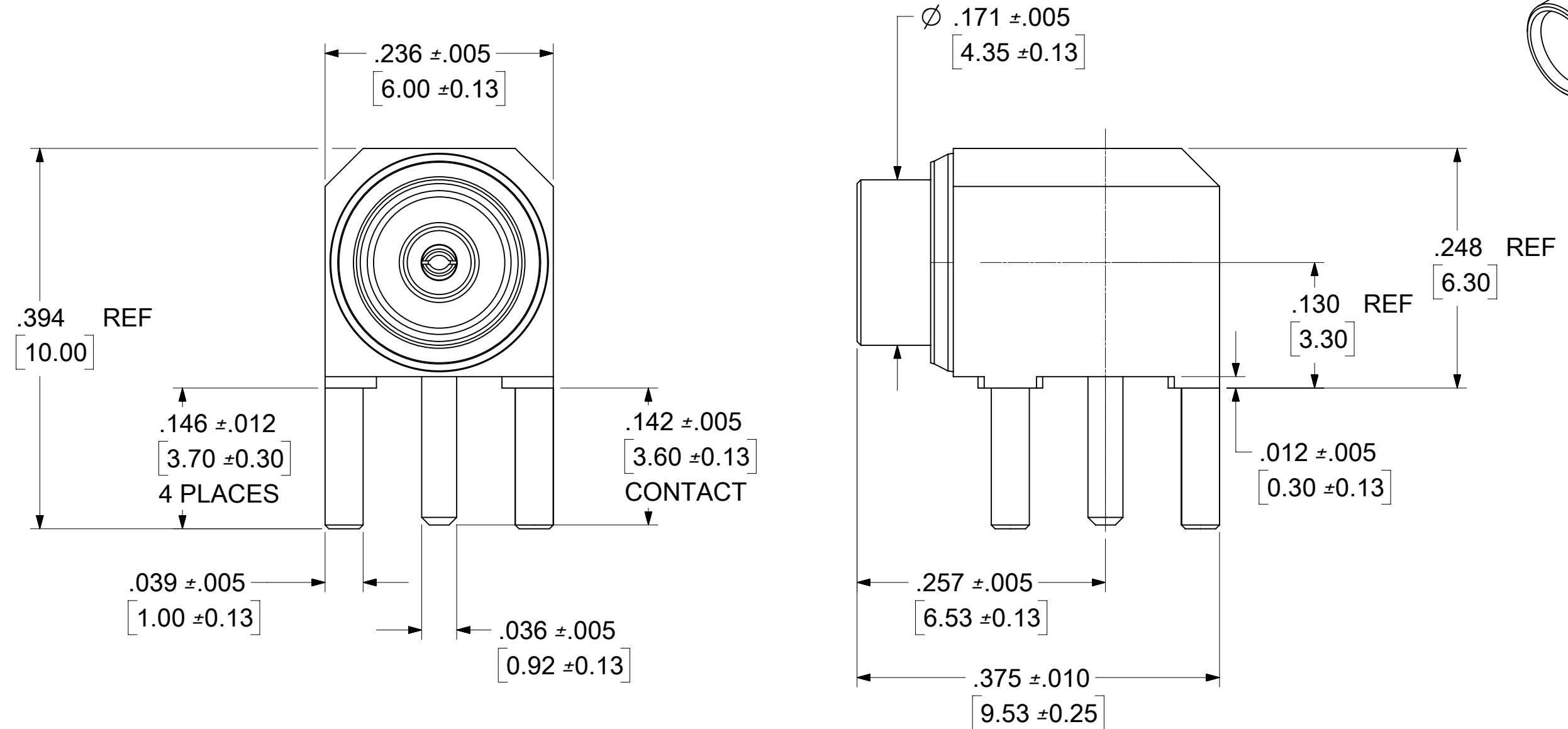
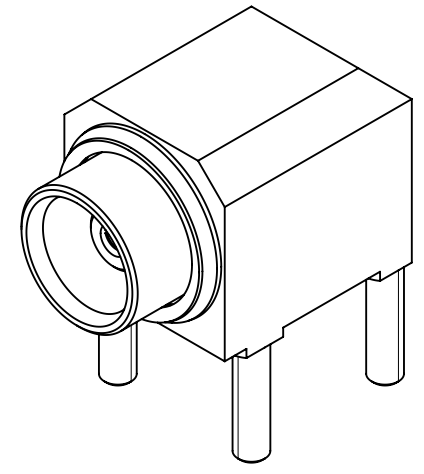
(73366-0030)
FRONT BODY BRASS
PLATED NICKEL

(73366-0032)
FRONT BODY BRASS
PLATED GOLD

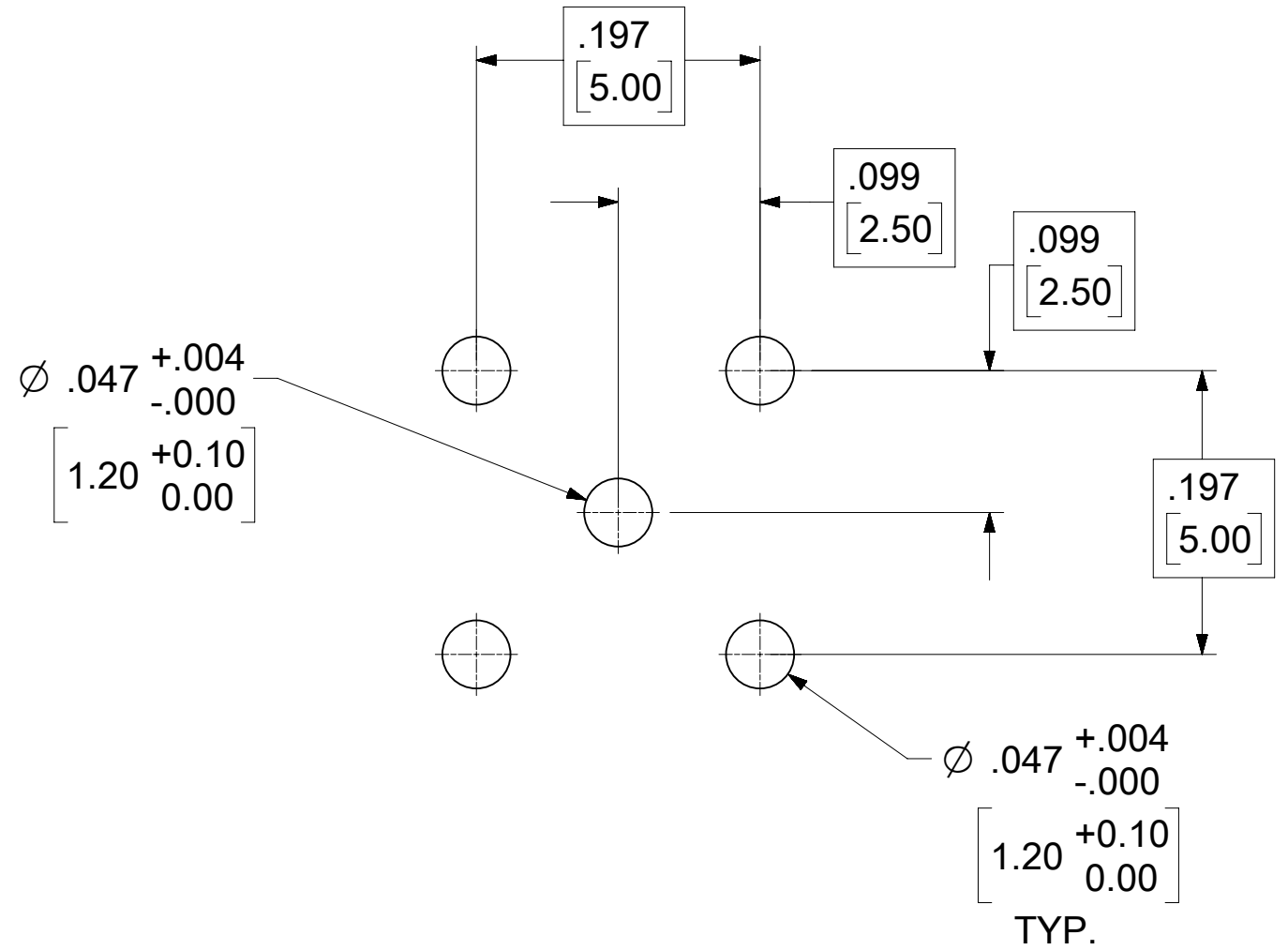
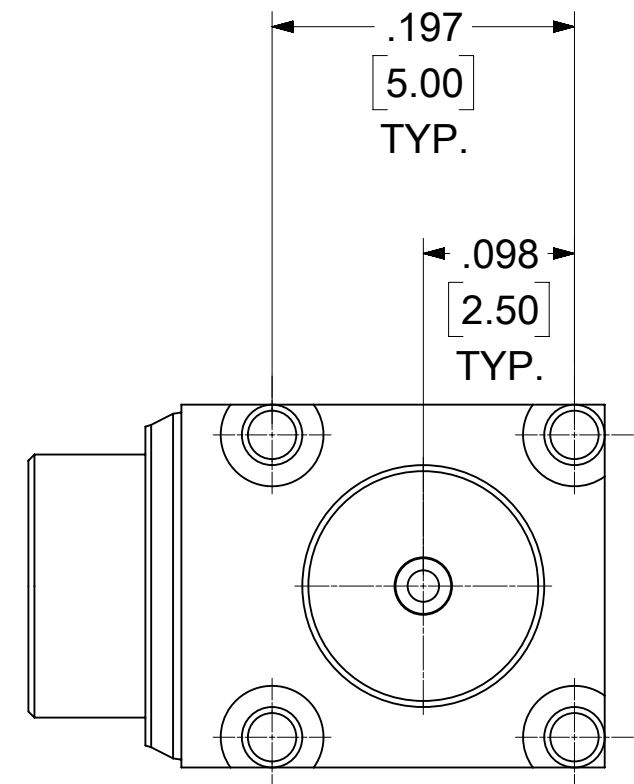
CENTER CONTACT BERYLLIUM COPPER
PLATED GOLD

INSULATOR TEFLON

HOUSING ZINC ALLOY
PLATED TIN



VOID →	73366-0036	73366-0032 PACKED BY TRAY (54CAV.)
	73366-0035	73366-0030 PACKED ONE PER BAG
VOID →	73366-0034	73366-0031 SMALL TRAY (20 CAV.)
	73366-0033	73366-0030 SMALL TRAY (20 CAV.)
	73366-0032	TAPE & REEL
VOID →	73366-0031	TRAY (80 CAV.)
	73366-0030	TRAY (80 CAV.)
	PART NO.	PACKAGING DESCRIPTION



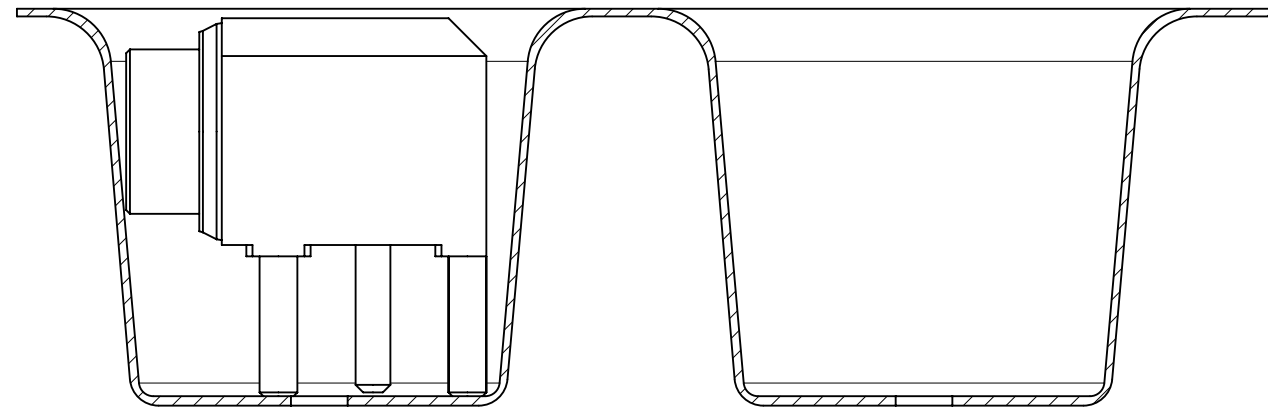
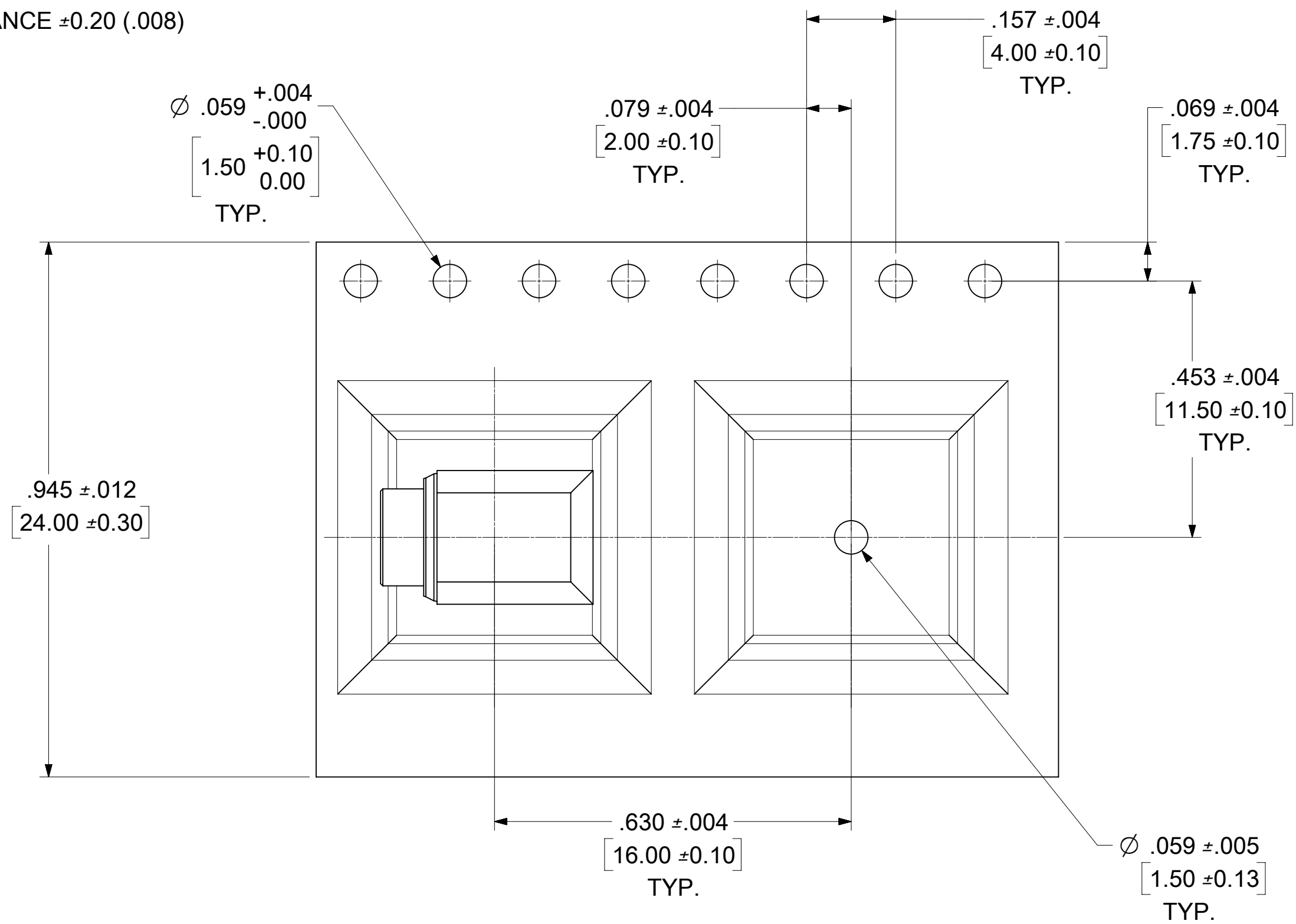
RECOMMENDED MOUNTING PATTERN

PS-89675-1830	PRODUCT SPECIFICATION
SPECIFICATION	DESCRIPTION

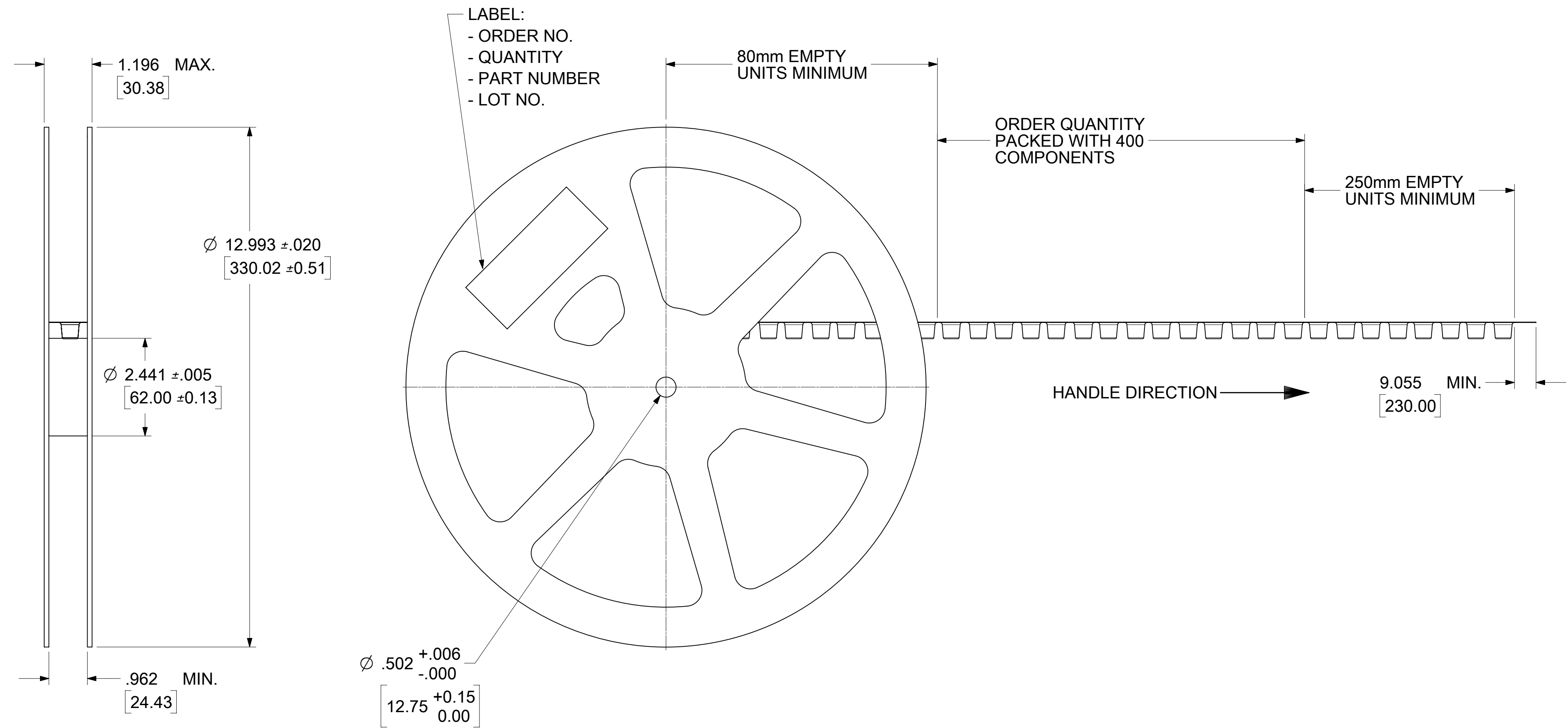
D	2020/03/26	VOID -0031 & -0034 PER EWR13695-A
C9	2019/04/06	MIGRATE TO ECTR; SHEET1: TOL. $.146 \pm .012$ WAS $.005$; SHEET2: TOL. $.945 \pm .012$ WAS $.004$; SHEET3: PACKING QTY 400 WAS 750 (TYPO); PER EWR 12988
REV.	DATE	DESCRIPTION

FUNCTIONAL SYMBOLS FA = 0 FC = 0 FD = 0	THIS DRAWING CONTAINS INFORMATION THAT IS PROPRIETARY TO MOLEX ELECTRONIC TECHNOLOGIES, LLC AND SHOULD NOT BE USED WITHOUT WRITTEN PERMISSION		CURRENT REV DESC:		
	DIMENSION UNITS	SCALE			
DIVISIONAL SYMBOLS	INCH	NTS			MCX JACK R/A PCB 50 OHM MCX-J/RA/PCB
	GENERAL TOLERANCES (UNLESS SPECIFIED)				
	ANGULAR TOL	± 2.0°			PRODUCT CUSTOMER DRAWING
	4 PLACES	±	EC NO: 634743	2020/03/26	DOCUMENT NUMBER
	3 PLACES	±	DRWN: CWEI02	2020/04/15	
	2 PLACES	±	CHK'D: YCHENG	2020/04/15	DOC TYPE
	1 PLACE	±	APPR: YCHENG		DOC PART
	0 PLACES	±	INITIAL REVISION:		REVISION
			DRWN: JTSAO	2005/04/04	
			APPR: MHUANG	2005/04/06	
DRAFT WHERE APPLICABLE MUST REMAIN WITHIN DIMENSIONS	THIRD ANGLE PROJECTION	DRAWING	SERIES	MATERIAL NUMBER	CUSTOMER
		C-SIZE	73366	SEE TABLE	GENERAL MARKET
					SHEET NUMBER
					1 OF 3

NOTES:
 1. PACKAGING DETAILS FOR 73366-0032
 2. 10 PITCHES CUMULATIVE TOLERANCE ±0.20 (.008)



FUNCTIONAL SYMBOLS $\nabla_A = 0$ $\nabla_C = 0$ $\nabla_P = 0$ DIVISIONAL SYMBOLS 4 PLACES ± 3 PLACES ± 2 PLACES ± 1 PLACE ± 0 PLACES ±	THIS DRAWING CONTAINS INFORMATION THAT IS PROPRIETARY TO MOLEX ELECTRONIC TECHNOLOGIES, LLC AND SHOULD NOT BE USED WITHOUT WRITTEN PERMISSION		DIMENSION UNITS: INCH SCALE: NTS		CURRENT REV DESC:						
	GENERAL TOLERANCES (UNLESS SPECIFIED) ANGULAR TOL ± 2.0°		EC NO: 634743 DRWN: CWEI02 CHK'D: YCHENG APPR: YCHENG		2020/03/26 2020/04/15 2020/04/15					MCX JACK R/A PCB 50 OHM MCX-J/RA/PCB	
	DRAFT WHERE APPLICABLE MUST REMAIN WITHIN DIMENSIONS		THIRD ANGLE PROJECTION		DRAWING: C-SIZE		SERIES: 73366		PRODUCT CUSTOMER DRAWING		
	DOCUMENT NUMBER: SD-73366-003		DOC TYPE: PSD		DOC PART: 001		REVISION: D		INITIAL REVISION: DRWN: JTSAO APPR: MHUANG 2005/04/04 2005/04/06		
MATERIAL NUMBER: SEE TABLE		CUSTOMER: GENERAL MARKET		SHEET NUMBER: 2 OF 3		DOCUMENT NUMBER: SD-73366-003		DOC TYPE: PSD			



FUNCTIONAL SYMBOLS	THIS DRAWING CONTAINS INFORMATION THAT IS PROPRIETARY TO MOLEX ELECTRONIC TECHNOLOGIES, LLC AND SHOULD NOT BE USED WITHOUT WRITTEN PERMISSION										
	DIMENSION UNITS	SCALE	CURRENT REV DESC:							molex	
$\frac{F}{A} = 0$	INCH	NTS	EC NO: 634743								
$\frac{F}{C} = 0$	GENERAL TOLERANCES (UNLESS SPECIFIED)		DRWN: CWEI02 2020/03/26								
$\frac{F}{P} = 0$	ANGULAR TOL ± 2.0°		CHK'D: YCHENG 2020/04/15								
DIVISIONAL SYMBOLS	4 PLACES	±	APPR: YCHENG 2020/04/15							PRODUCT CUSTOMER DRAWING	
	3 PLACES	±	INITIAL REVISION:							DOCUMENT NUMBER	
	2 PLACES	±	DRWN: JTSAO 2005/04/04							SD-73366-003	
	1 PLACE	±	APPR: MHUANG 2005/04/06							DOC TYPE DOC PART REVISION	
0 PLACES	±	DRAFT WHERE APPLICABLE MUST REMAIN WITHIN DIMENSIONS							PSD 001 D		
THIRD ANGLE PROJECTION		DRAWING	SERIES	MATERIAL NUMBER	CUSTOMER	SHEET NUMBER					
		C-SIZE	73366	SEE TABLE	GENERAL MARKET	3 OF 3					