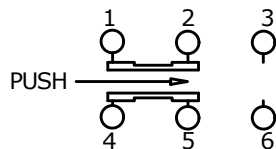
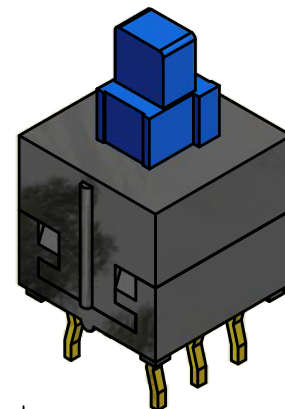
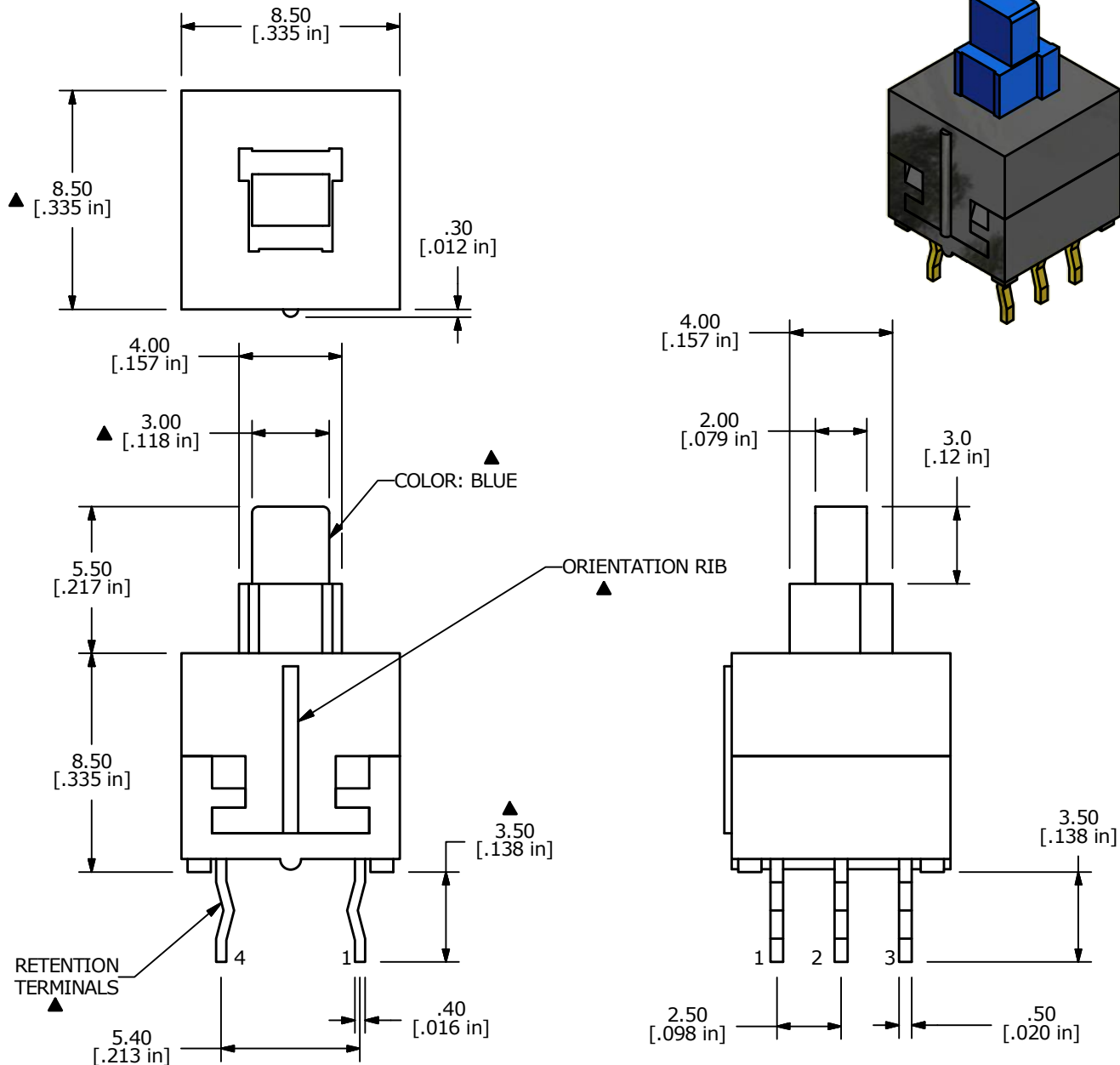


SWITCH FUNCTION	
POS. 1	POS. 2
ON	(ON)
2-1, 5-4	2-3, 5-6



NOTES:

1. ALL DIMENSIONS IN MM [INCH]
2. GENERAL TOLERANCE: X.X $\pm$ 0.4  
X.XX $\pm$ 0.25
3. TERMINAL NUMBERS FOR REF. ONLY
- ▲ 4. RATING: 0.1A @ 30VDC
5. TRAVEL: FULL = 2.5 mm
6. OPERATING FORCE: 220 $\pm$  50gf
7. ELECTRICAL LIFE: 10,000 CYCLES
8. ▲ DENOTES CRITICAL PARAMETER
9. CONTACT MATERIAL: SILVER
10. 2002/95/EC (RoHS) COMPLIANT



E	22312	UPDATED COLOR FROM IVORY TO BLUE	5/20/16	MJR
D	19697	UPDATE TERM. #'s	2/21/11	BGL
C	18030	Redrawn and force was 180	3/19/08	rc
REV	PCR NO	DESCRIPTION	DATE	BY



TITLE TL2201OAXB				
SCALE 4:1	DATE 3/19/2008	DR rc	DWG P010347	REV E

THE INFORMATION CONTAINED IN THIS DOCUMENT IS PROPRIETARY TO E-SWITCH AND IS NOT TO BE COPIED OR TRANSFERRED