

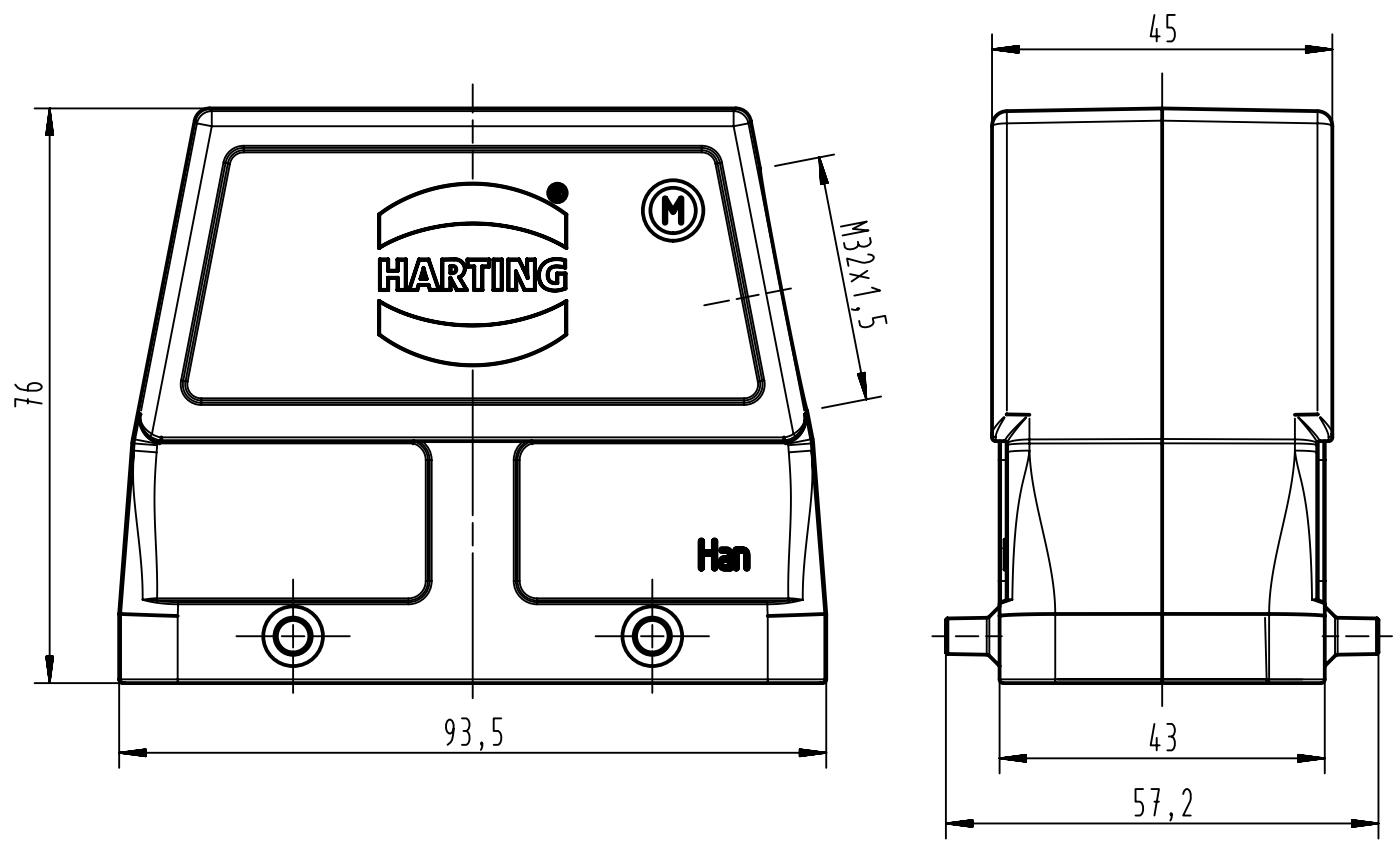
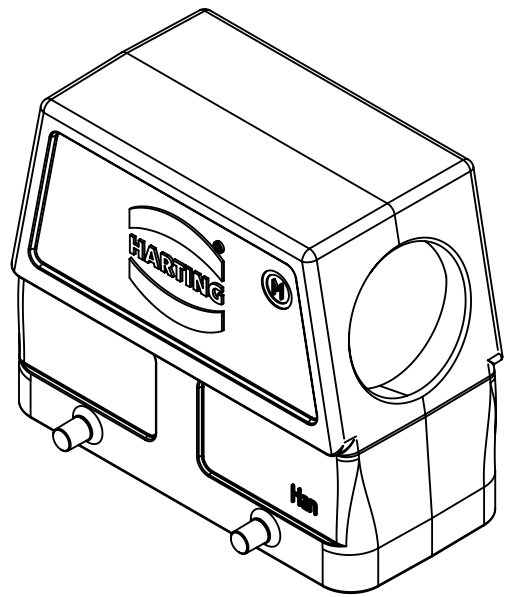
1 2 3 4 5 6

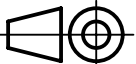

A

B

C

D



 All Dimensions in mm Original Size DIN A4	Scale 1:1		Free size tol.		Ref.	
					Sub. TB 19 30 016 0527 v. 16.11.00	
 All rights reserved Department EL PD - DE	Created by HOLLERT		Inspected by BERGHORN		Standardisation TIEMANNA	
	Date 2013-05-27		State Final Release			
Title Han B Hood Side Entry HC 4 Pegs M32					Doc-Key / ECM-Nr. 100222547/UGD/002/B 500000061018	
Type TB					Number 19 30 016 0527	
HARTING Electric GmbH & Co. KG D-32339 Espelkamp					Rev. B Page 1/1	