

4

3

2

1

THIS DRAWING IS UNPUBLISHED.

RELEASED FOR PUBLICATION

20

© COPYRIGHT 20 BY -

ALL RIGHTS RESERVED.

REVISIONS

| P | LTR | DESCRIPTION | DATE | DWN | APVD |
|---|-----|-----------------|-----------|-----|------|
| | A | INITIAL RELEASE | 23JUN2015 | DL | CW |
| | A1 | ECR-17-001721 | 14FEB2017 | YC | CW |
| | B | ECR-20-008190 | 10OCT2020 | WQR | CW |

NOTES:

1. TECHNICAL CHARACTERISTICS:
 HOUSING MATERIAL: DIE CAST ALUMINIUM ALLOY
 SURFACE TREATMENT: POWDER COATED, GREY
 DEGREE OF PROTECTION: IP65 (MATED)

注释:

1. 技术参数:
 下壳材料: 铝合金
 表面处理: 粉末喷涂, 灰色
 防护等级: IP65 (配合)

TYPE 1: TI660163XXX-100 HI6B-SDRHM-LB-PG/M
 类型 1: TI660163XXX-100 HI6B下壳, 表面安装, 彩锌单扣,
 PG/M, 高结构, 带金属保护盖, 灰色粉末喷涂

THIS DRAWING IS A CONTROLLED DOCUMENT.

| DIMENSIONS: | TOLERANCES UNLESS OTHERWISE SPECIFIED: |
|-------------|--|
| mm | |
| | 0 PLC ±- |
| | 1 PLC ±- |
| | 2 PLC ±- |
| | 3 PLC ±- |
| | 4 PLC ±- |
| | ANGLES ±- |
| | FINISH ±- |
| MATERIAL | - |
| | - |

DWN 23JUN2015

DAVID LI

CHK 23JUN2015

CHRIS WANG

APVD 23JUN2015

XIANG XU

PRODUCT SPEC

108-137013

APPLICATION SPEC

114-137013

WEIGHT

-

Customer Drawing

NAME HI6B-SDRHM-LB-PG/M

TE Connectivity

| SIZE | CAGE CODE | DRAWING NO | RESTRICTED TO |
|------|-----------|------------------|---------------|
| A3 | - | ©-TI66016XXXXX00 | - |

SCALE 1:2 SHEET 1 OF 3 REV B

1470-19 (3/13)

THIS DRAWING IS UNPUBLISHED.

RELEASED FOR PUBLICATION

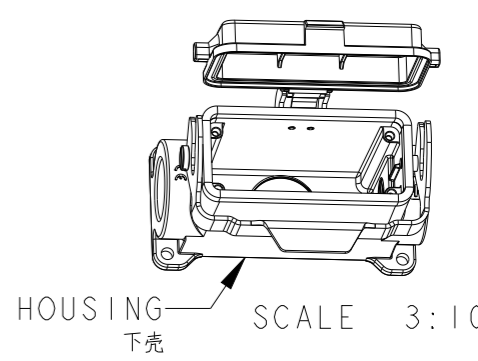
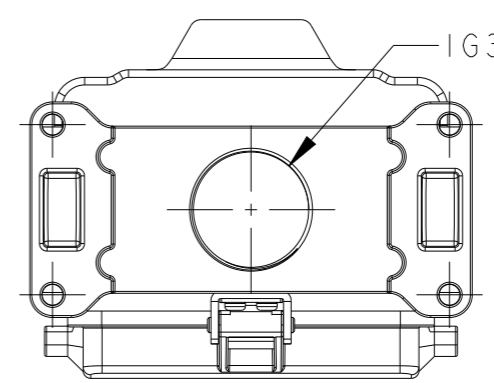
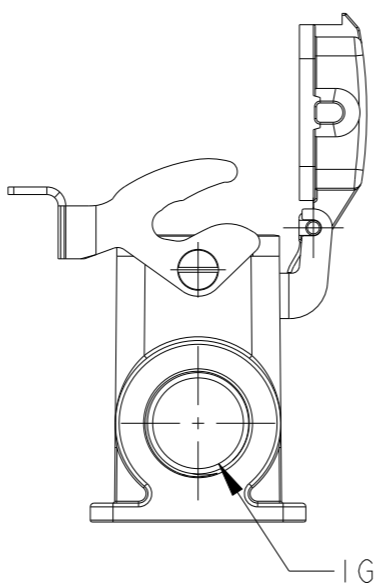
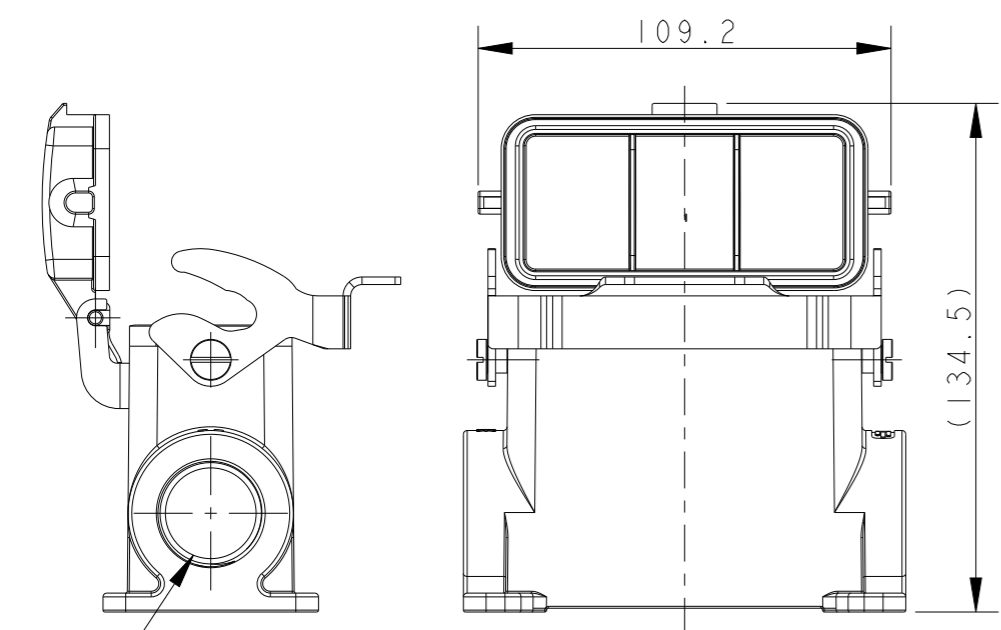
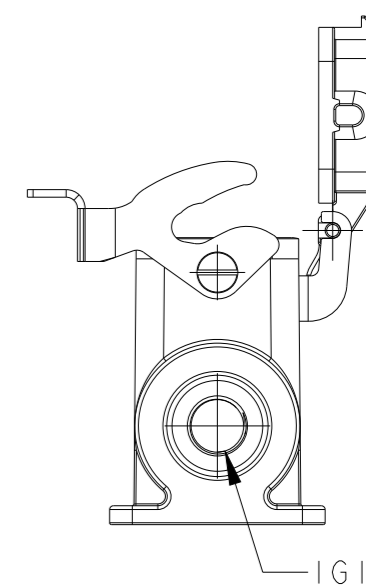
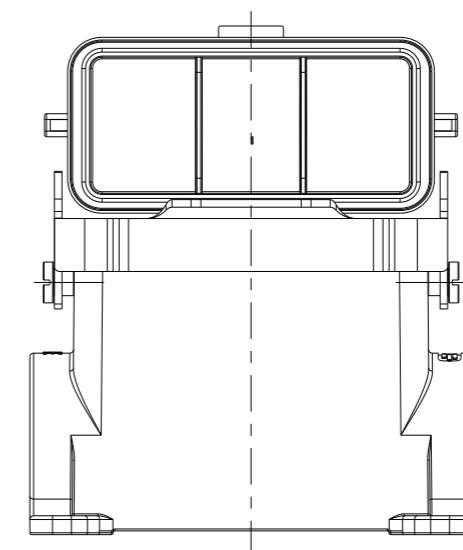
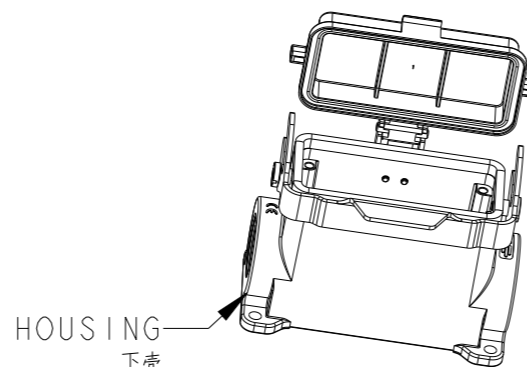
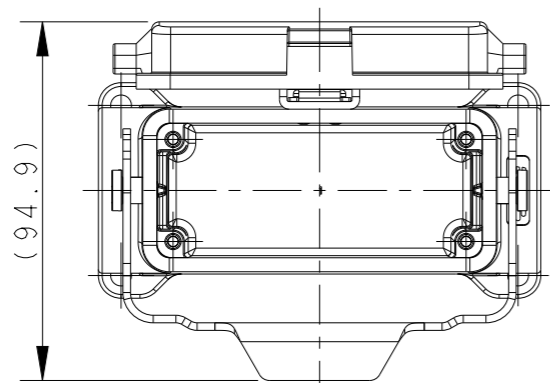
20

© COPYRIGHT 20 BY -

ALL RIGHTS RESERVED.

REVISIONS

| P | LTR | DESCRIPTION | DATE | DWN | APVD |
|---|-----|-------------|------|-----|------|
| - | - | SEE SHEET 1 | - | - | - |
| | | | | | |
| | | | | | |



TYPE 2: T1660163XXX-000 HI6B-SDRH-LB-PG/M
 OTHER SPEC REFER TO TYPE 1
 类型 2: T1660163XXX-000HI6B下壳, 表面安装, 彩锌单扣, PG/M,
 高结构, 带塑料保护盖, 灰色粉末喷涂, 其余规范参照类型 1

TYPE 3: T1660160932-000 HI6B-SDRH-LB-M32/PG9
 OTHER SPEC REFER TO TYPE 2
 类型 3: T1660160932-000 HI6B下壳, 表面安装, 彩锌单扣, 侧出PG9,
 底出M32, 高结构, 带塑料保护盖, 灰色粉末喷涂, 其余规范参照类型 2

THIS DRAWING IS A CONTROLLED DOCUMENT.

| DIMENSIONS: | TOLERANCES UNLESS OTHERWISE SPECIFIED: |
|-----------------|--|
| mm | |
| | 0 PLC ±- |
| | 1 PLC ±- |
| | 2 PLC ±- |
| | 3 PLC ±- |
| | 4 PLC ±- |
| | ANGLES ±- |
| MATERIAL | FINISH |
| - | - |
| - | - |

| | |
|------------------|------------|
| DWN | 23JUN2015 |
| DAVID LI | |
| CHK | 23JUN2015 |
| CHRIS WANG | |
| APVD | 23JUN2015 |
| XIANG XU | |
| PRODUCT SPEC | 108-137013 |
| APPLICATION SPEC | 114-137013 |
| WEIGHT | - |
| Customer Drawing | |

| | | | | |
|-----------------|-----------|--------------------|---------------|---------------|
| TE Connectivity | | NAME | | RESTRICTED TO |
| | | HI6B-SDRHM-LB-PG/M | | |
| SIZE | CAGE CODE | DRAWING NO | RESTRICTED TO | |
| A3 | - | ©-T166016XXXXX00 | - | |
| SCALE | | SHEET | OF | REV |
| 1:2 | | 2 | 3 | B |

THIS DRAWING IS UNPUBLISHED.

RELEASED FOR PUBLICATION 20

REVISIONS

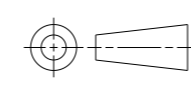
© COPYRIGHT 20 BY - ALL RIGHTS RESERVED.

| P | LTR | DESCRIPTION | DATE | DWN | APVD |
|---|-----|-------------|------|-----|------|
| | - | SEE SHEET 1 | - | - | - |
| | | | | | |
| | | | | | |
| | | | | | |

NOTES:
 SEE SHEET 1
 注释:
 参照 SHEET 1

| PART NUMBER 料号 | PART DESCRIPTION 描述 | IG1 | IG2 | IG3 | TYPE 类型 |
|-------------------|---|------|------|-----|---------------|
| TI660163121-100 | H16B HOUSING, SURFACE MOUNTED, METAL SINGLE LOCKING, PG21, HIGH CONSTRUCTION, METAL PROTECTION COVER, POWDER COATED, GREY H16B下壳, 表面安装, 彩锌单扣, PG21, 高结构, 带金属保护盖, 灰色粉末喷涂 | PG21 | - | - | TYPE 1 类型1 |
| TI660163129-100 | H16B HOUSING, SURFACE MOUNTED, METAL SINGLE LOCKING, PG29, HIGH CONSTRUCTION, METAL PROTECTION COVER, POWDER COATED, GREY H16B下壳, 表面安装, 彩锌单扣, PG29, 高结构, 带金属保护盖, 灰色粉末喷涂 | PG29 | - | - | |
| TI660163132-100 | H16B HOUSING, SURFACE MOUNTED, METAL SINGLE LOCKING, M32, HIGH CONSTRUCTION, METAL PROTECTION COVER, POWDER COATED, GREY H16B下壳, 表面安装, 彩锌单扣, M32, 高结构, 带金属保护盖, 灰色粉末喷涂 | M32 | - | - | |
| TI660163221-100 | H16B HOUSING, SURFACE MOUNTED, METAL SINGLE LOCKING, 2PG21, HIGH CONSTRUCTION, METAL PROTECTION COVER, POWDER COATED, GREY H16B下壳, 表面安装, 彩锌单扣, 2PG21, 高结构, 带金属保护盖, 灰色粉末喷涂 | PG21 | PG21 | - | |
| TI660163229-100 | H16B HOUSING, SURFACE MOUNTED, METAL SINGLE LOCKING, 2PG29, HIGH CONSTRUCTION, METAL PROTECTION COVER, POWDER COATED, GREY H16B下壳, 表面安装, 彩锌单扣, 2PG29, 高结构, 带金属保护盖, 灰色粉末喷涂 | PG29 | PG29 | - | |
| TI660163232-100 | H16B HOUSING, SURFACE MOUNTED, METAL SINGLE LOCKING, 2M32, HIGH CONSTRUCTION, METAL PROTECTION COVER, POWDER COATED, GREY H16B下壳, 表面安装, 彩锌单扣, 2M32, 高结构, 带金属保护盖, 灰色粉末喷涂 | M32 | M32 | - | TYPE 2 类型2 |
| TI660163121-000 | H16B HOUSING, SURFACE MOUNTED, METAL SINGLE LOCKING, PG21, HIGH CONSTRUCTION, PLASTIC PROTECTION COVER, POWDER COATED, GREY H16B下壳, 表面安装, 彩锌单扣, PG21, 高结构, 带塑料保护盖, 灰色粉末喷涂 | PG21 | - | - | |
| TI660163129-000 | H16B HOUSING, SURFACE MOUNTED, METAL SINGLE LOCKING, PG29, HIGH CONSTRUCTION, PLASTIC PROTECTION COVER, POWDER COATED, GREY H16B下壳, 表面安装, 彩锌单扣, PG29, 高结构, 带塑料保护盖, 灰色粉末喷涂 | PG29 | - | - | |
| TI660163125-000 | H16B HOUSING, SURFACE MOUNTED, METAL SINGLE LOCKING, M25, HIGH CONSTRUCTION, PLASTIC PROTECTION COVER, POWDER COATED, GREY H16B下壳, 表面安装, 彩锌单扣, M25, 高结构, 带塑料保护盖, 灰色粉末喷涂 | M25 | - | - | |
| TI660163132-000 | H16B HOUSING, SURFACE MOUNTED, METAL SINGLE LOCKING, M32, HIGH CONSTRUCTION, PLASTIC PROTECTION COVER, POWDER COATED, GREY H16B下壳, 表面安装, 彩锌单扣, M32, 高结构, 带塑料保护盖, 灰色粉末喷涂 | M32 | - | - | |
| TI660163221-000 | H16B HOUSING, SURFACE MOUNTED, METAL SINGLE LOCKING, 2PG21, HIGH CONSTRUCTION, PLASTIC PROTECTION COVER, POWDER COATED, GREY H16B下壳, 表面安装, 彩锌单扣, 2PG21, 高结构, 带塑料保护盖, 灰色粉末喷涂 | PG21 | PG21 | - | |
| TI660163229-000 | H16B HOUSING, SURFACE MOUNTED, METAL SINGLE LOCKING, 2PG29, HIGH CONSTRUCTION, PLASTIC PROTECTION COVER, POWDER COATED, GREY H16B下壳, 表面安装, 彩锌单扣, 2PG29, 高结构, 带塑料保护盖, 灰色粉末喷涂 | PG29 | PG29 | - | |
| TI660163232-000 | H16B HOUSING, SURFACE MOUNTED, METAL SINGLE LOCKING, 2M32, HIGH CONSTRUCTION, PLASTIC PROTECTION COVER, POWDER COATED, GREY H16B下壳, 表面安装, 彩锌单扣, 2M32, 高结构, 带塑料保护盖, 灰色粉末喷涂 | M32 | M32 | - | |
| TI660160932-000 | H16B HOUSING, SURFACE MOUNTED, METAL SINGLE LOCKING, SIDE ENTRY PG9, BOTTOM ENTRY M32, HIGH CONSTRUCTION, PLASTIC PROTECTION COVER, POWDER COATED, GREY / H16B下壳, 表面安装, 彩锌单扣, 侧出PG9, 底出M32, 高结构, 带塑料保护盖, 灰色粉末喷涂 | PG9 | - | M32 | |
| | | | | | |

THIS DRAWING IS A CONTROLLED DOCUMENT.

| | |
|---|--|
| DIMENSIONS: mm | TOLERANCES UNLESS OTHERWISE SPECIFIED: |
|  | 0 PLC ±- |
| | 1 PLC ±- |
| | 2 PLC ±- |
| | 3 PLC ±- |
| | 4 PLC ±- |
| | ANGLES ±- |
| MATERIAL | FINISH |
| - | - |
| - | - |

| | |
|------------------|------------|
| DWN | 23JUN2015 |
| DAVID LI | |
| CHK | 23JUN2015 |
| CHRIS WANG | |
| APVD | 23JUN2015 |
| XIANG XU | |
| PRODUCT SPEC | 108-137013 |
| APPLICATION SPEC | 114-137013 |
| WEIGHT | - |
| CUSTOMER DRAWING | |

STE TE Connectivity

NAME: H16B-SDRHM-LB-PG/M

| | | | |
|------|-----------|------------------|---------------|
| SIZE | CAGE CODE | DRAWING NO | RESTRICTED TO |
| A3 | - | ©-TI66016XXXXX00 | - |

SCALE: 1:2 SHEET: 3 OF 3 REV: B