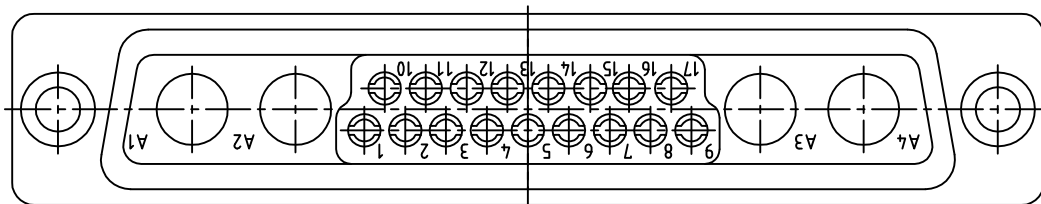
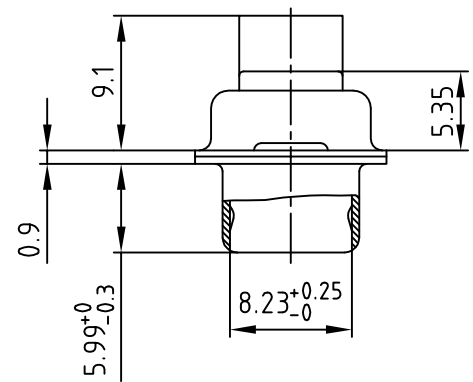
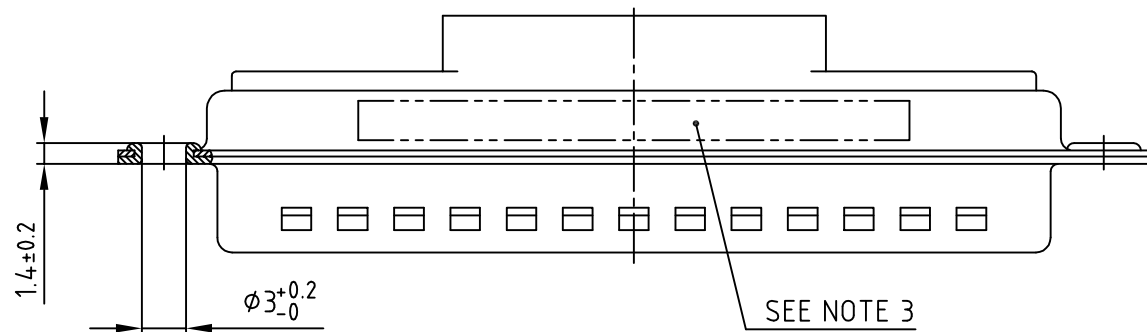
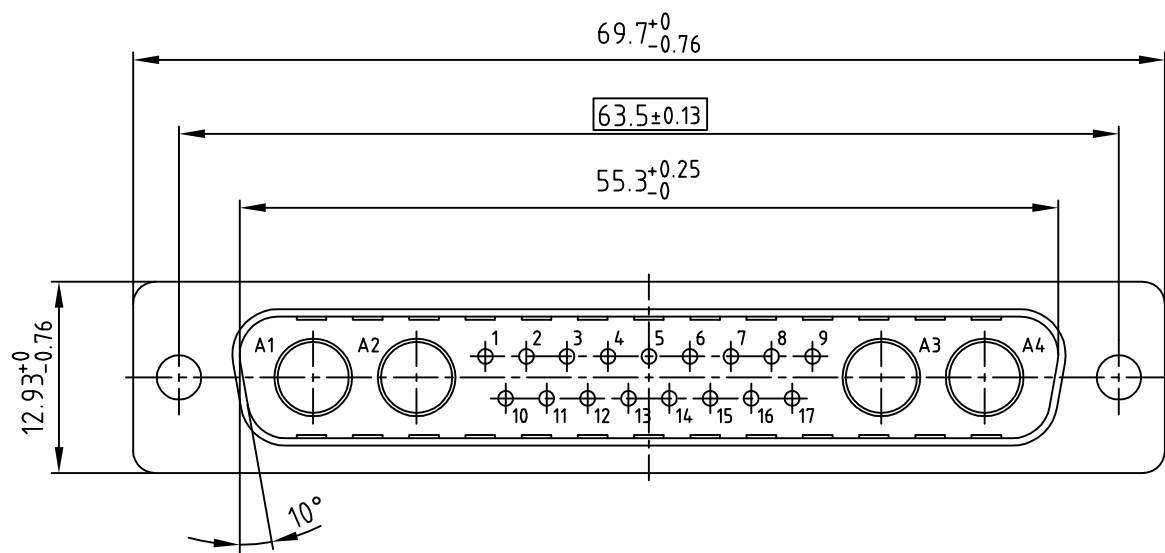


used for: D-SUB COMBINATION CRIMP



NOTES:

1. METALSHELLS: STEEL: TIN PLATED
2. INSULATORS: PBTP GF UL 94 V-0; BLACK
3. CONNECTOR IS PART MARKED: PART NO: CONEC Y/WW
4. = CRITICAL DIMENSION: SPC

THIS DRAWING MAY NOT BE COPIED OR REPRODUCED IN ANY WAY, AND MAY NOT BE PASSED ON TO A THIRD PARTY WITHOUT WRITTEN PERMISSION. OWNERSHIP AND COPYRIGHT OF CONEC GmbH DO NOT ALTER CAD DRAWING BY HAND				tolerance		scale: 2:1			
						material: SEE NOTES			
				1999	date	name	title: D-SUB COMBINATION MALE CRIMP STYLE 21WA4P		
				drawn	06.05.	Barcinski			
				appd.	06.05.	Mickenbecker			
				norm				dwg no: AutoCAD/REL.14 DIN-A	
				d-old					
						13K1P6A		sh:1/1	
rev.	description	date				name	part no: 321WA4P XK99A10X		