

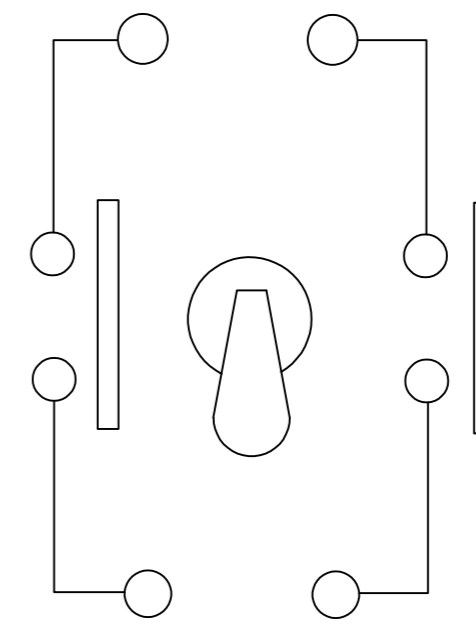
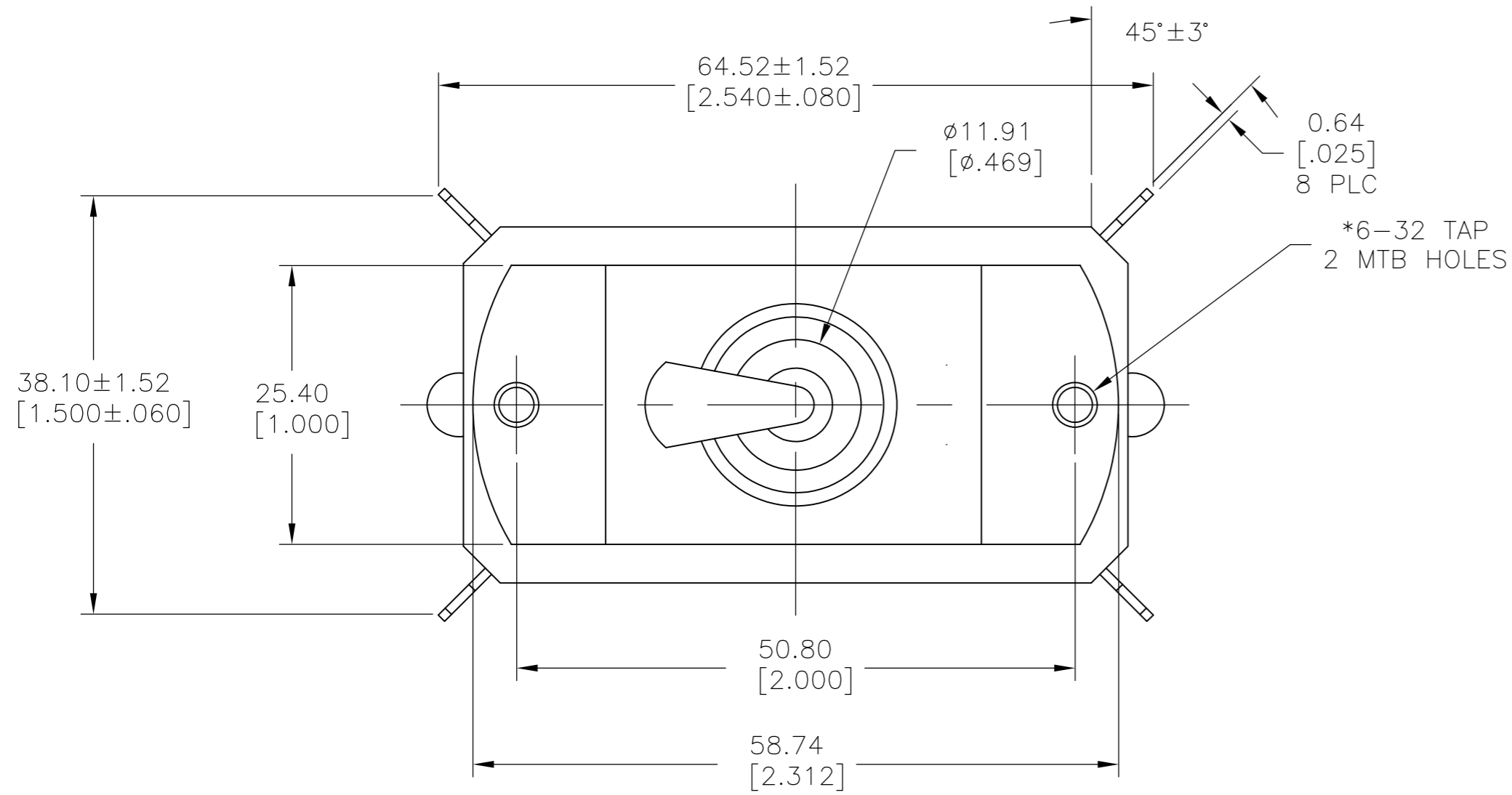
THIS DRAWING IS UNPUBLISHED. RELEASED FOR PUBLICATION
 © COPYRIGHT - By - ALL RIGHTS RESERVED.

LOC		DIST		REVISIONS			
P	LTR	DESCRIPTION		DATE	DWN	APVD	
-	-	A	NEW DRAWING	31OCT12	KH	PO	

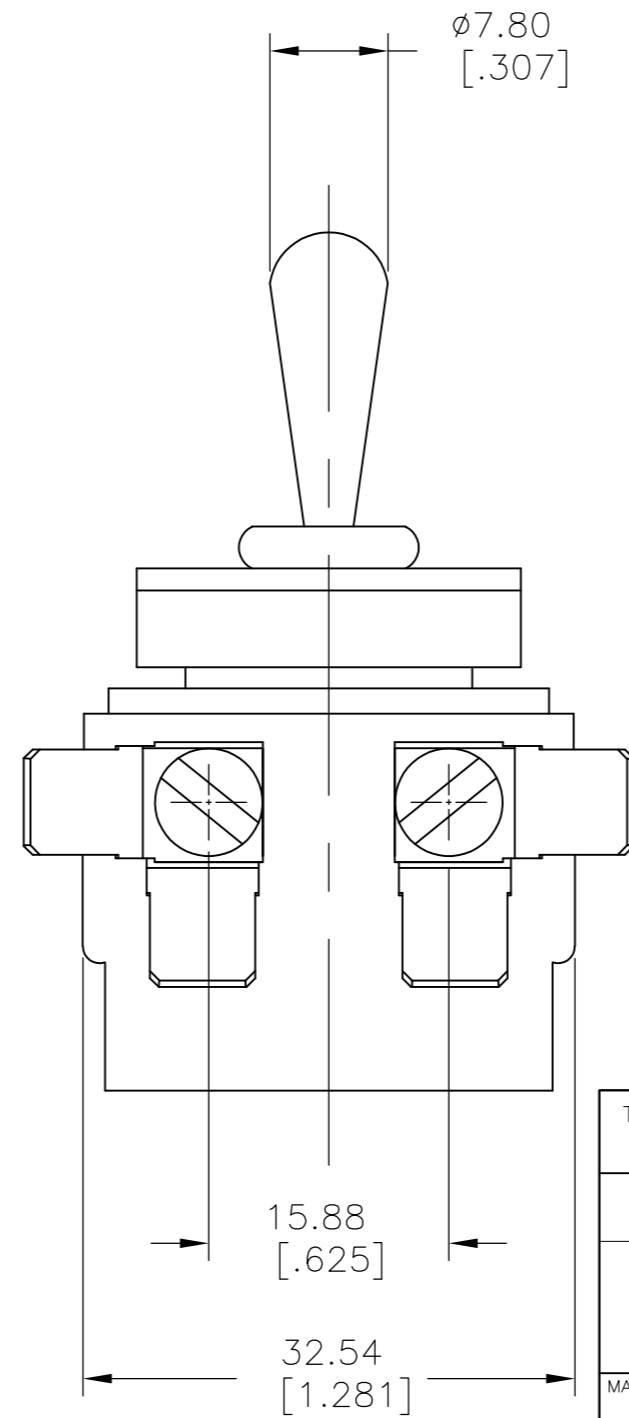
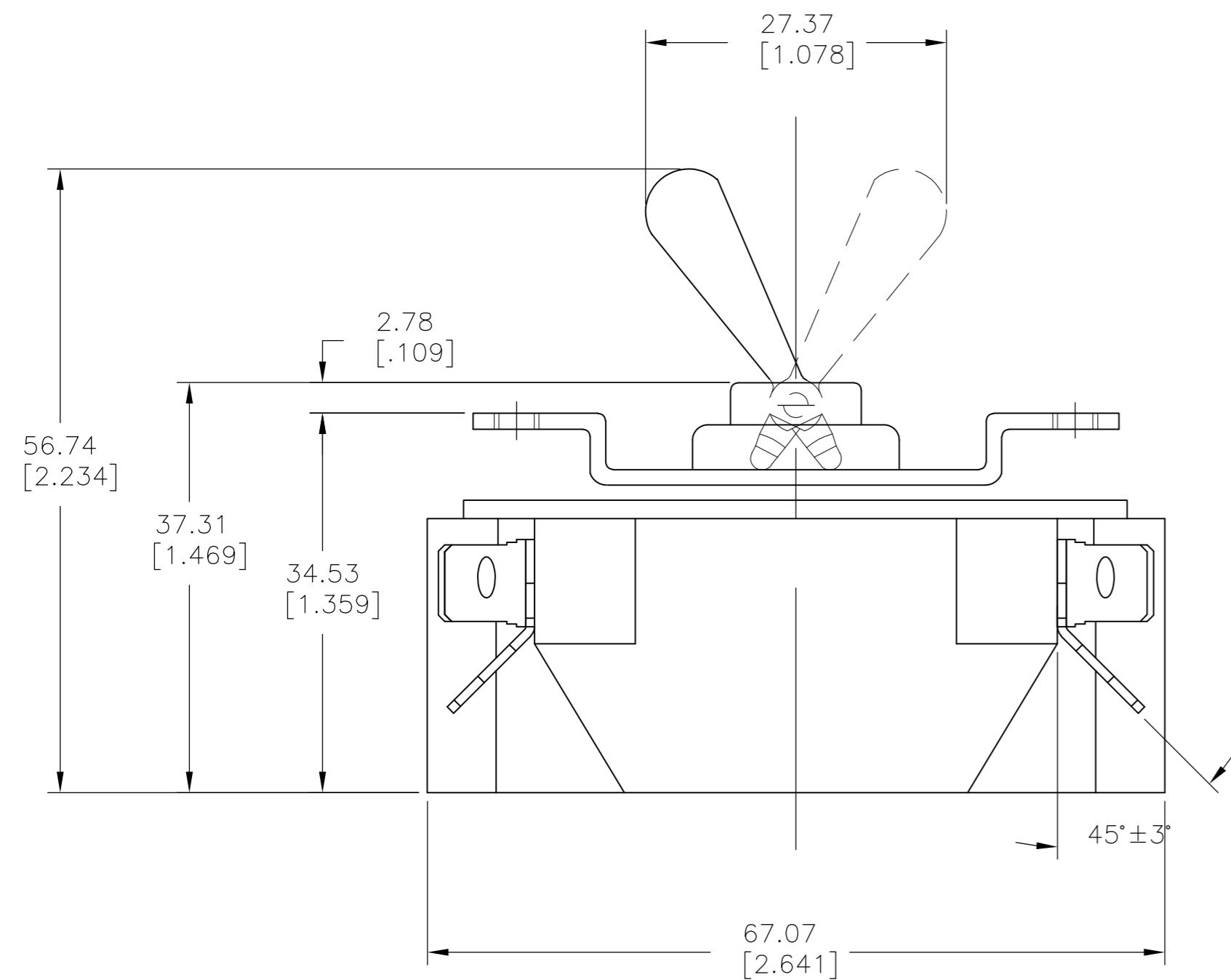
SPECIFICATIONS:

DOUBLE POLE-2 SINGLE THROW

20AMP 250 VOLT
 TABS TO MEET SPECIFICATIONS FOR AMP
 INC 250 SERIES FASTONS



CIRCUIT DIAGRAM



THIS DRAWING IS A CONTROLLED DOCUMENT.		DWN	KIRAN HOLAL	31OCT12						
DIMENSIONS:		CHK	OTT PETER	31OCT12				NAME		
mm [INCHES]		APVD	OTT PETER	31OCT12				PRODUCT SPEC		
TOLERANCES UNLESS OTHERWISE SPECIFIED:		APPLICATION SPEC						TOGGLE SWITCH		
0 PLC	± -	WEIGHT			SIZE	CAGE CODE	DRAWING NO	RESTRICTED TO		
1 PLC	± -	MATERIAL			A2	00779	C=1520241	-		
2 PLC	± -	FINISH			CUSTOMER DRAWING			SCALE		
3 PLC	± -	MATERIAL			SCALE 1:1			SHEET		
4 PLC	± -	MATERIAL			SCALE 1:1			1 of 1		
ANGLES	± -	MATERIAL			SCALE 1:1			REV		
MATERIAL		MATERIAL			SCALE 1:1			A		

1520241-1
 PART NUMBER

TE Connectivity

TOGGLE SWITCH