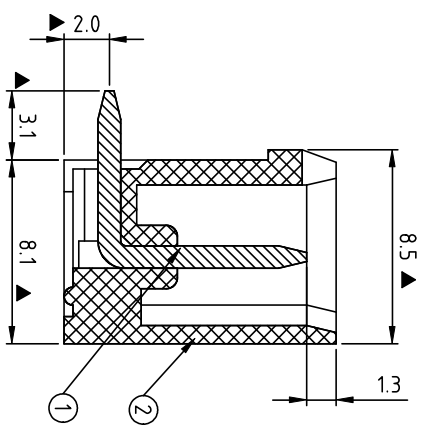


DIMENSION

Dim A	(N+2) × 5.08
Dim B	(N-1) × 5.08
Dim C	(N-1) × 5.08+10.16
Dim D	(N-1) × 5.08+5.48

N = Number of poles

2p-6p	±0.15
7p-12p	±0.25
13p-16p	±0.35
17p-24p	±0.40



REV	SIGN	DATE	DESCRIPTION	APPROVER
B		2018-01-02	Initial release	Zhuhua

THIS IS CAD DRAWING. DO NOT REVISE MANUALLY!!!

Material:

- Item ① Contact pin: Copper, Tin plated
- Item ② Insulator(housing): Thermoplastic (UL94V-0)
- Item ③ With flange nut: Brass ,M2.5

Electrical:

- Voltage rating: 300V
- Current rating: 20A
- Withstanding Voltage: 1.6 KV
- Operating temperature: -40°C to +115°C
- Wave soldering temperature: 260°C±5°C/5 Sec
- Safety Approval:
- Critical dimension: ▲



00 XX 5 5 X A XXXX G

- No. OF POLES
- 02: 2 POLES
- 24: 24 POLES
- 0 Black (RAL9005)
- 2 Red (RAL3001/D)
- 3 Orange(RAL2011/P)
- 4 Yellow(RAL1018/A)
- 5 Green(RAL6018/T)
- 6 Blue (RAL5015/A)
- 8 Grey(RAL7035/D)
- 9 White(RAL1102)
- C Green(RAL6018/U)

Any special item by customer request, please contact sales department

Amphenol ANYTEK

CUSTOMER COPY

ALL RIGHTS RESERVED. REPRODUCTION OR ISSUE TO THIRD PARTIES IN ANY FORM WHATSOEVER IS NOT PERMITTED WITHOUT WRITTEN AUTHORITY FROM THE PROPRIETOR. PROPERTY OF ANYTEK TECHNOLOGY CO., LTD.

TITLE	00 5.08mm 90° /With Flange Series 特殊封装 (反向)		DWG NO.	800071439	Tolerance
PART NO.	00xx55AxxxxG	DESIGNED	Zhuhua	2018.01.02	±0.50
CHECKED		DRAWN	Zhuhua	2018.01.02	±0.30
APPROVED		CUST. NO.			±0.10
		SHEET: 01/01	REV: B		±1°