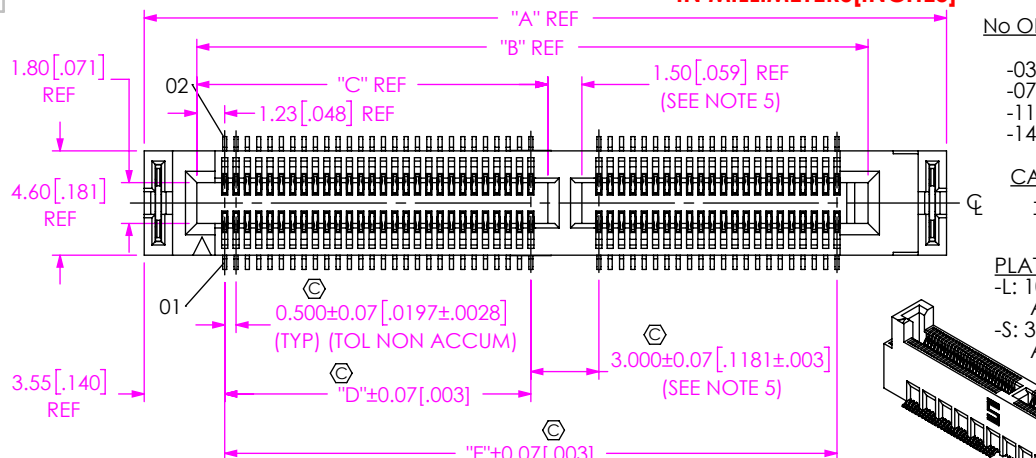


DO NOT
SCALE FROM
THIS PRINT



No OF POSITIONS
(PER ROW)
-030, -040, -050, -060,
-070, -080, -090, -100,
-110, -120, 130,
-140, -150

CARD THICKNESS
-01: FOR .062"
THICK BOARD

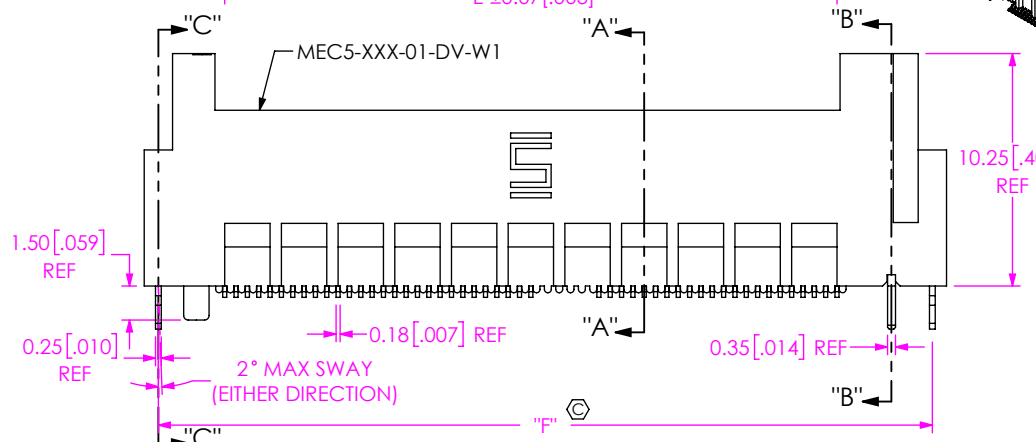
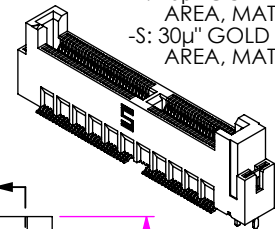
PLATING SPECIFICATION
-L: 10µ" GOLD IN CONTACT
AREA, MATTE TIN TAIL
-S: 30µ" GOLD IN CONTACT
AREA, MATTE TIN TAIL

PACKAGING:
BLANK: TRAY (SEE NOTES 3 & 7)
-TR: TAPE & REEL (SEE NOTES 3, 7 & 8)
(REQUIRED FOR POS: 030~100,
UNAVAILABLE FOR POS: 110~150)
-FR: FULL REEL QTY TAPE & REEL
(SEE NOTES 3, 7 & 8)

-K: POLYIMIDE FILM PAD
(SEE FIG 2, SHT 2)

OPTION:
-W1: WELD TAB THROUGH HOLE
(SEE FIG 1) (REQUIRED)

ROW SPECIFICATION
-DV: DOUBLE VERTICAL



NO OF POS	"A"	"B"	"C"	"D"	"E"
-030	22.88 [0.901]	17.10 [0.673]	N/A	N/A	14.500 [0.5709]
-040	27.88 [1.098]	22.10 [0.870]	N/A	N/A	19.500 [0.7677]
-050	35.38 [1.393]	29.60 [1.165]	15.48 [0.609]	13.500 [0.5315]	27.000 [1.0630]
-060	40.38 [1.590]	34.60 [1.362]	17.98 [0.708]	16.000 [0.6299]	32.000 [1.2598]
-070	45.38 [1.787]	39.60 [1.559]	20.48 [0.806]	18.500 [0.7283]	37.000 [1.4567]
-080	50.38 [1.983]	44.60 [1.756]	22.98 [0.905]	21.000 [0.8268]	42.000 [1.6535]
-090	55.38 [2.180]	49.60 [1.953]	25.48 [1.003]	23.500 [0.9252]	47.000 [1.8504]
-100	60.38 [2.377]	54.60 [2.150]	27.98 [1.102]	26.000 [1.0236]	52.000 [2.0472]
-110	65.38 [2.574]	59.60 [2.346]	30.48 [1.200]	28.500 [1.1220]	57.000 [2.2441]
-120	70.38 [2.771]	64.60 [2.543]	32.98 [1.298]	31.000 [1.2205]	62.000 [2.4409]
-130	75.38 [2.968]	69.60 [2.740]	35.48 [1.397]	33.500 [1.3189]	67.000 [2.6378]
-140	80.38 [3.165]	74.60 [2.937]	37.98 [1.495]	36.000 [1.4173]	72.000 [2.8346]
-150	85.38 [3.361]	79.60 [3.134]	40.48 [1.594]	38.500 [1.5157]	77.000 [3.0315]

NO OF POS	"F"	"G"	"H"	"J"
-030	21.63 [0.852]	18.16 [0.715]	N/A	14.500 [0.5709]
-040	26.63 [1.048]	23.16 [0.912]	N/A	19.500 [0.7677]
-050	34.13 [1.344]	30.66 [1.207]	13.500 [0.5315]	27.000 [1.0630]
-060	39.13 [1.541]	35.66 [1.404]	16.000 [0.6299]	32.000 [1.2598]
-070	44.13 [1.737]	40.66 [1.601]	18.500 [0.7283]	37.000 [1.4567]
-080	49.13 [1.934]	45.66 [1.798]	21.000 [0.8268]	42.000 [1.6535]
-090	54.13 [2.131]	50.66 [1.994]	23.500 [0.9252]	47.000 [1.8504]
-100	59.13 [2.328]	55.66 [2.191]	26.000 [1.0236]	52.000 [2.0472]
-110	64.13 [2.525]	60.66 [2.388]	28.500 [1.1220]	57.000 [2.2441]
-120	69.13 [2.722]	65.66 [2.585]	31.000 [1.2205]	62.000 [2.4409]
-130	74.13 [2.919]	70.66 [2.782]	33.500 [1.3189]	67.000 [2.6378]
-140	79.13 [3.115]	75.66 [2.979]	36.000 [1.4173]	72.000 [2.8346]
-150	84.13 [3.312]	80.66 [3.176]	38.500 [1.5157]	77.000 [3.0315]

NOTES:
FIG 1
MEC5-050-01-X-DV-W1-K SHOWN

1. Ⓢ REPRESENTS A CRITICAL DIMENSION.
2. MINIMUM PUSHOUT FORCE: 0.5 LBS FOR C-400, WT-25; 1.0 LBS FOR C-403.
3. 030~100 POSITIONS PARTS TO BE PACKAGED IN TAPE & REEL, 110~150 POSITIONS PARTS TO BE PACKAGED IN TRAY.
4. MATING CARD MUST HAVE LEAD-IN. SEE SAMTEC FOOTPRINT FOR SPECIFICATIONS.
5. POLARIZATION RIB IS NOT PRESENT ON -030 & -040 POSITIONS.
6. NOTE DELETED.
7. ORDERS WILL BE PACKAGED ACCORDING TO THE SAMTEC PACKAGING EFFICIENCY STANDARDS (SPES) FOUND ON WWW.SAMTEC.COM.
8. ATTACH LABEL TO EACH REEL.

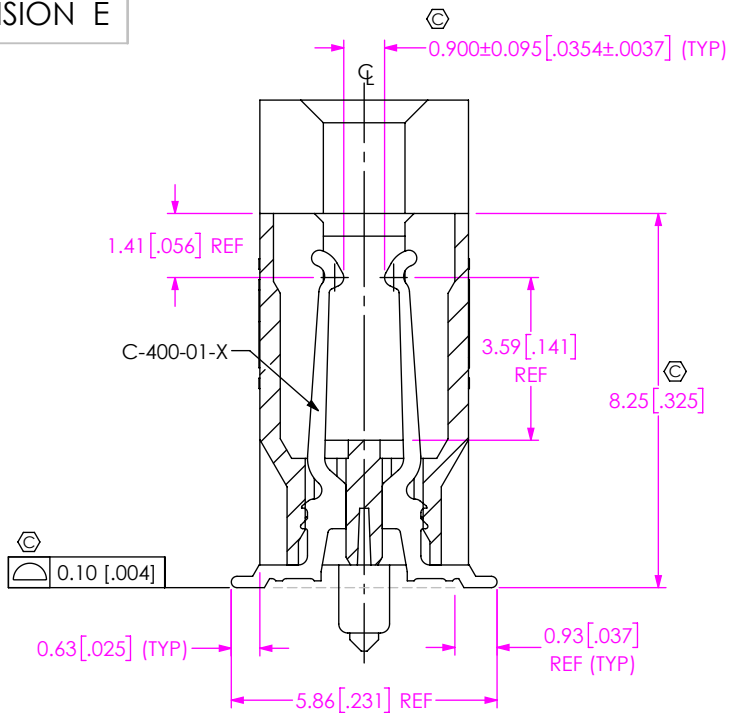
UNLESS OTHERWISE SPECIFIED,
DIMENSIONS ARE IN MILLIMETERS.
TOLERANCES ARE:
DECIMALS ANGLES
X.X: ±0.3 [0.1]
X.XX: ±0.10 [0.04]
X.XXX: ±0.051 [0.020]

PROPRIETARY NOTE
THIS DOCUMENT CONTAINS CONFIDENTIAL AND
PROPRIETARY INFORMATION AND ALL DESIGN,
MANUFACTURING, REPRODUCTION, USE, PATENT RIGHTS
AND SALES RIGHTS ARE EXPRESSLY RESERVED BY SAMTEC,
INC. THIS DOCUMENT SHALL NOT BE DISCLOSED, IN WHOLE
OR PART, TO ANY UNAUTHORIZED PERSON OR ENTITY NOR
REPRODUCED, TRANSFERRED OR INCORPORATED IN ANY
OTHER PROJECT IN ANY MANNER WITHOUT THE EXPRESS
WRITTEN CONSENT OF SAMTEC, INC.

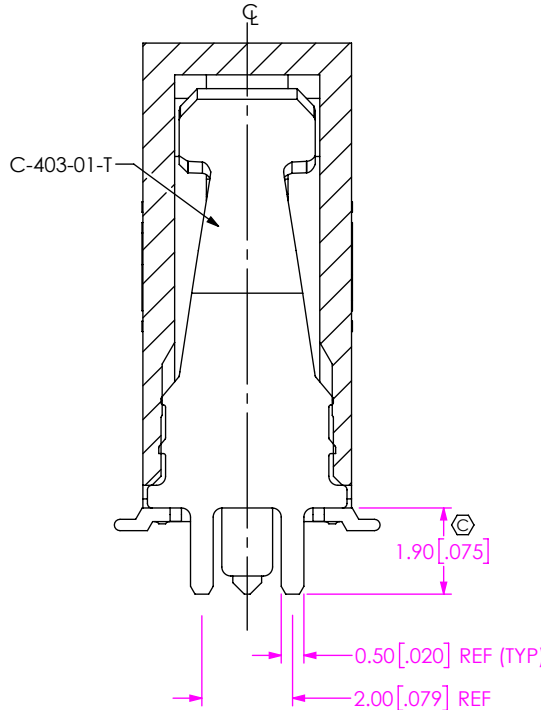
MATERIAL: DO NOT SCALE DRAWING SHEET SCALE: 3:1
INSULATOR: LCP, UL 94 V0, COLOR: BLACK
CONTACT: Cu ALLOY
WELD TAB: BRASS ALLOY

520 PARK EAST BLVD, NEW ALBANY, IN 47150
PHONE: 812-944-6733 FAX: 812-948-5047
e-Mail: info@SAMTEC.com code 53322

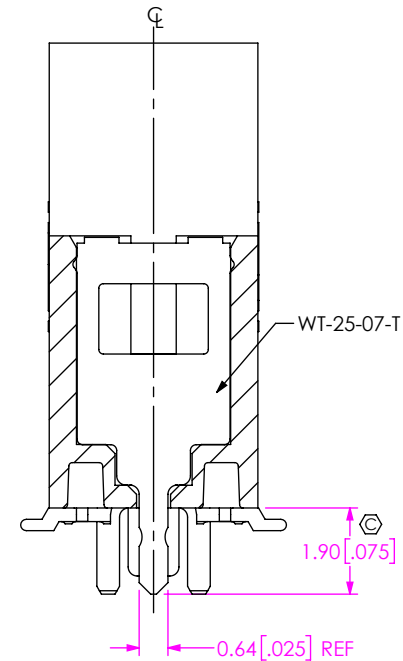
DESCRIPTION:
0.5mm HIGH SPEED EDGE CARD ASSEMBLY
DWG. NO.
MEC5-XXX-XX-X-DV-XX-K-XX
BY: JESSIE W 5/29/2015 SHEET 1 OF 3



SECTION "A"-"A"
SCALE 6 : 1



SECTION "B"-"B"
SCALE 6 : 1



SECTION "C"-"C"
SCALE 6 : 1

TABLE 2	
NO OF POS	"K"
-030	8.05 [0.317]
-040	10.55 [0.415]
-050	14.30 [0.563]
-060	16.80 [0.661]
-070	19.30 [0.760]
-080	21.80 [0.858]
-090	24.30 [0.957]
-100	26.80 [1.055]
-110	29.30 [1.154]
-120	31.80 [1.252]
-130	34.30 [1.350]
-140	36.80 [1.449]
-150	39.30 [1.547]

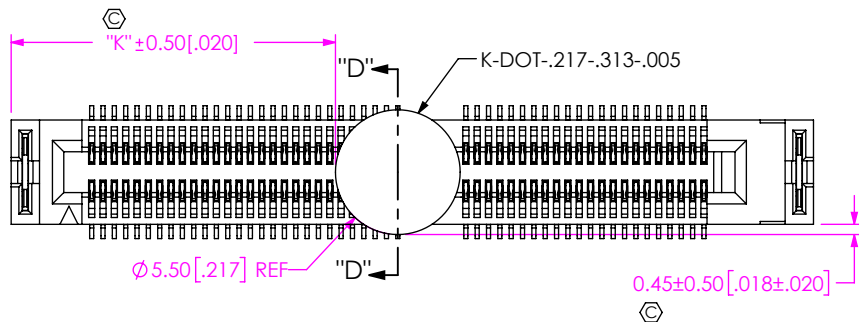
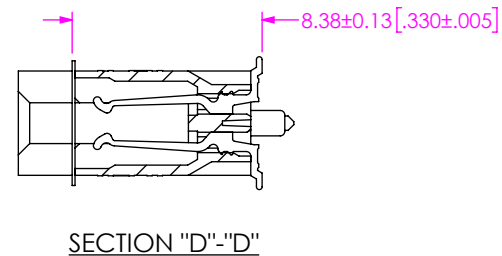


FIG 2
MEC5-050-01-X-DV-W1-K SHOWN
(DIFFERENT AS SHOWN, OTHERWISE SAME AS FIG 1)



SECTION "D"-"D"

PROPRIETARY NOTE
THIS DOCUMENT CONTAINS CONFIDENTIAL AND PROPRIETARY INFORMATION AND ALL DESIGN, MANUFACTURING, REPRODUCTION, USE, PATENT RIGHTS AND SALES RIGHTS ARE EXPRESSLY RESERVED BY SAMTEC, INC. THIS DOCUMENT SHALL NOT BE DISCLOSED, IN WHOLE OR PART, TO ANY UNAUTHORIZED PERSON OR ENTITY NOR REPRODUCED, TRANSFERRED OR INCORPORATED IN ANY OTHER PROJECT IN ANY MANNER WITHOUT THE EXPRESS WRITTEN CONSENT OF SAMTEC, INC.

DO NOT SCALE DRAWING

SHEET SCALE: 3:1

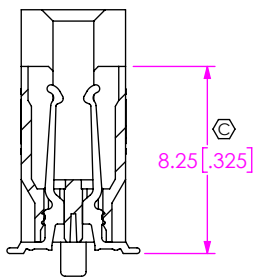
samtec

520 PARK EAST BLVD. NEW ALBANY, IN 47150
PHONE: 812-944-6733 FAX: 812-948-5047
e-Mail info@SAMTEC.com code 55322

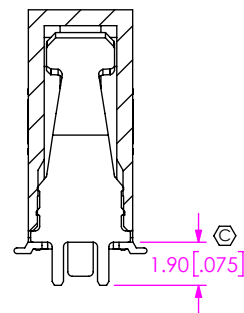
DESCRIPTION:
0.5mm HIGH SPEED EDGE CARD ASSEMBLY

DWG. NO.
MEC5-XXX-XX-X-DV-XX-K-XX

BY: JESSIE W 5/29/2015 SHEET 2 OF 3



IN-PROCESS 1
CUT COMB/ FILL C-400-01-X
& BREAK OFF



IN-PROCESS 2
FILL C-403-01-T & BREAK OFF

PROPRIETARY NOTE
 * THIS DOCUMENT CONTAINS CONFIDENTIAL AND PROPRIETARY INFORMATION AND ALL DESIGN, MANUFACTURING, REPRODUCTION, USE, PATENT RIGHTS AND SALES RIGHTS ARE EXPRESSLY RESERVED BY SAMTEC, INC. THIS DOCUMENT SHALL NOT BE DISCLOSED, IN WHOLE OR PART, TO ANY UNAUTHORIZED PERSON OR ENTITY NOR REPRODUCED, TRANSFERRED OR INCORPORATED IN ANY OTHER PROJECT IN ANY MANNER WITHOUT THE EXPRESS WRITTEN CONSENT OF SAMTEC, INC. *



520 PARK EAST BLVD, NEW ALBANY, IN 47150
 PHONE: 812-944-6733 FAX: 812-948-5047
 e-Mail info@SAMTEC.com code 55322

DO NOT SCALE DRAWING

SHEET SCALE: 3:1

DESCRIPTION:
 0.5mm HIGH SPEED EDGE CARD ASSEMBLY

DWG. NO.
MEC5-XXX-XX-X-DV-XX-K-XX

BY: JESSIE W 5/29/2015 SHEET 3 OF 3