

DETAILS

Product Number	C15920_STRADELLA-8-HV-CY
Family	Stradella
Type	Lens array
Color	clear
Diameter	49,49 x 49,49 mm
Height	4,91 mm
Style	rectang
Optic Material	PMMA
Holder Material	
Fastening	screw
Status	production ready
ROHS Compliant	Yes
Date Updated	10/03/2017



OPTICAL PROPERTIES

LED	Viewing Angle	Light Beam	Efficiency	cd/lm	Connector
XT-E	125+126 deg	Wide-Area...	94 %	0.340	-

H G F E D C B A

4

3

2

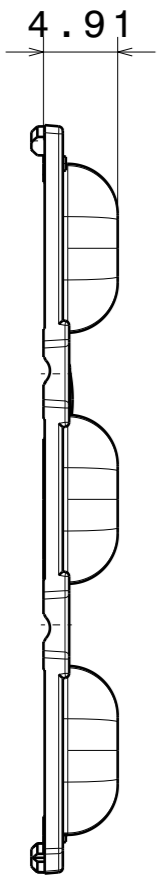
1

4

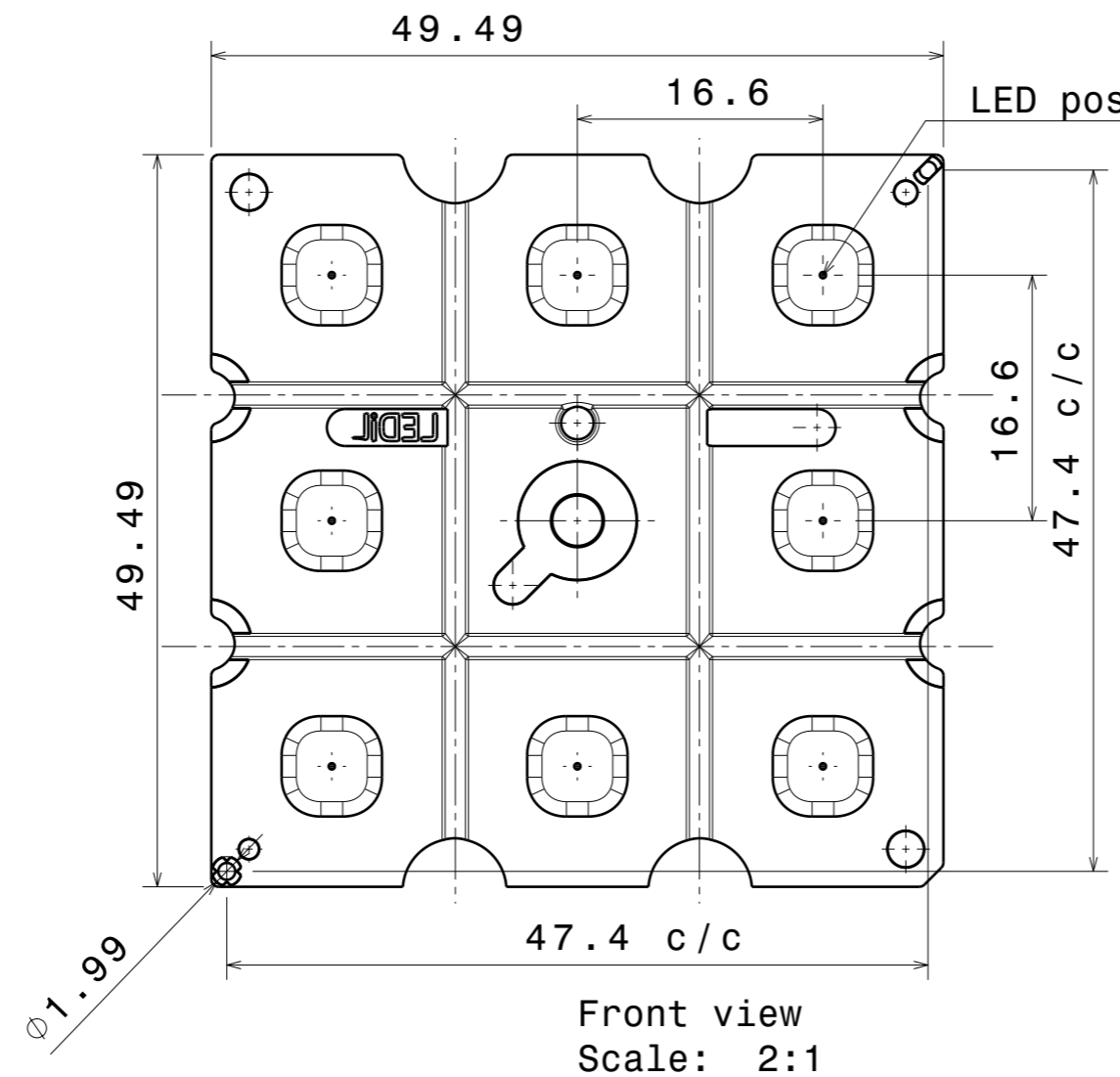
3

2

1

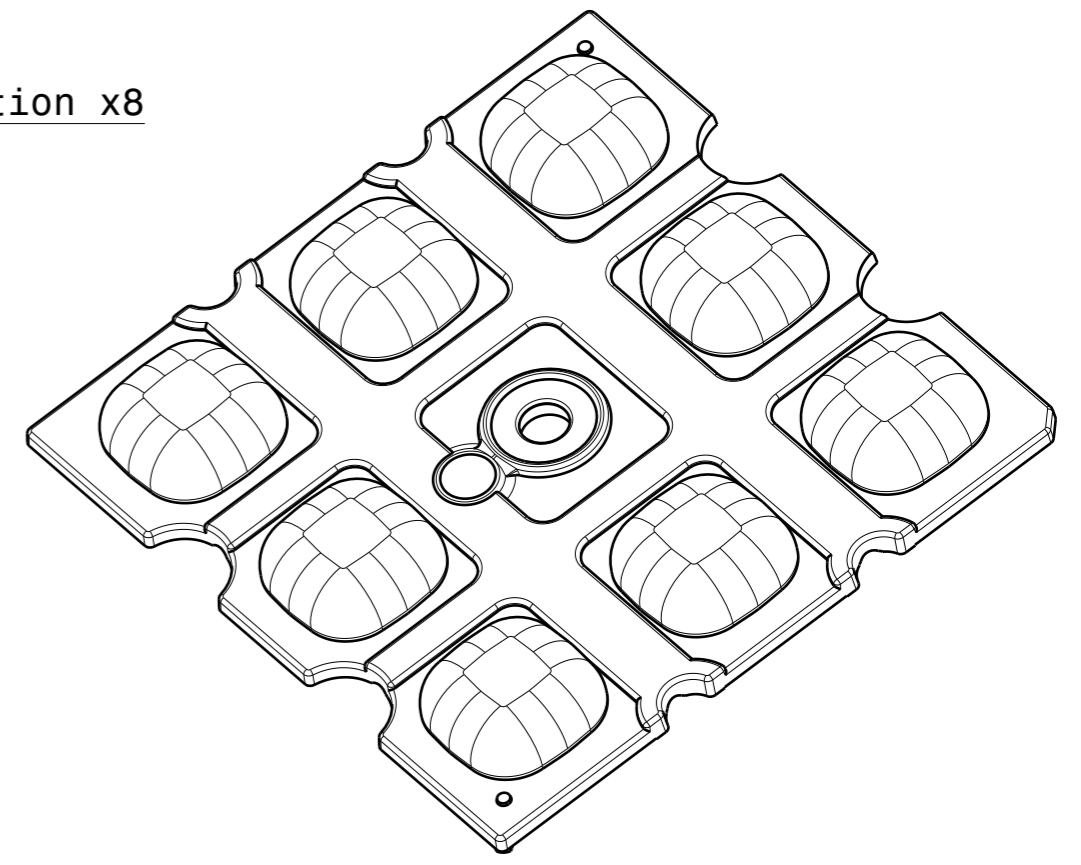


Right view
Scale: 2:1



Front view
Scale: 2:1

LED position x8



Isometric view
Scale: 2:1

Tolerances if not otherwise shown
According to DIN ISO 2768-1
Linear measures:
Up to 30mm class M, otherwise class C.
According to DIN ISO 2768-2
Form and position: class L

LEDiL	LediL Oy		
	Salorankatu 10 FIN 24240 SALO Finland		

THIRD ANGLE PROJECTION:

DRAWING TITLE
Datasheet_STRADELLA-8-HV-CY

This drawing is the property of LEDiL Oy. It may not be reproduced, copied or communicated without a written agreement with LEDiL Oy.

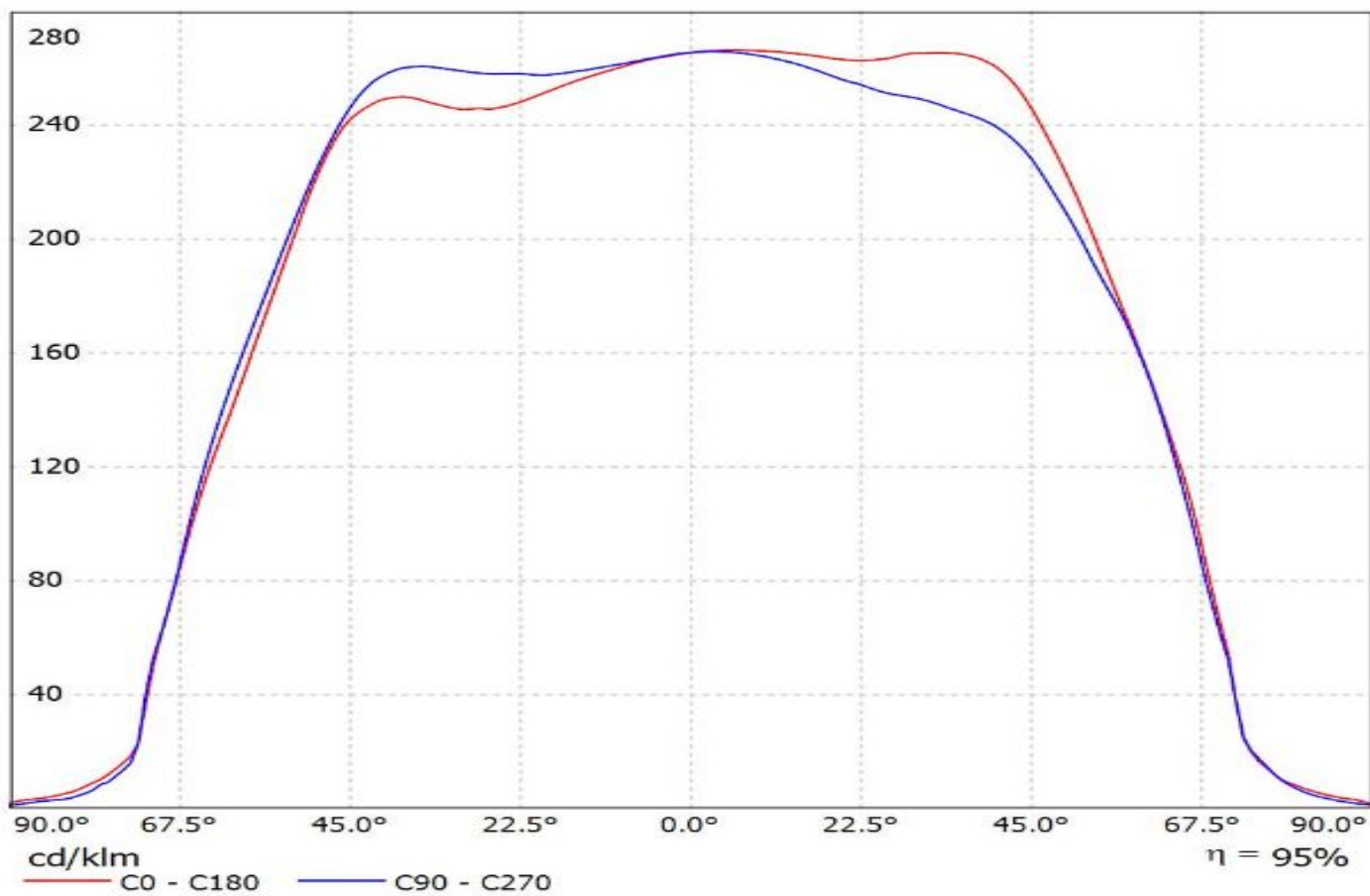
SIZE	PART NUMBER		
A3	C15920		

SCALE	1:1	WEIGHT	g	SHEET	1/1
--------------	------------	---------------	----------	--------------	------------

H G F E D C B A

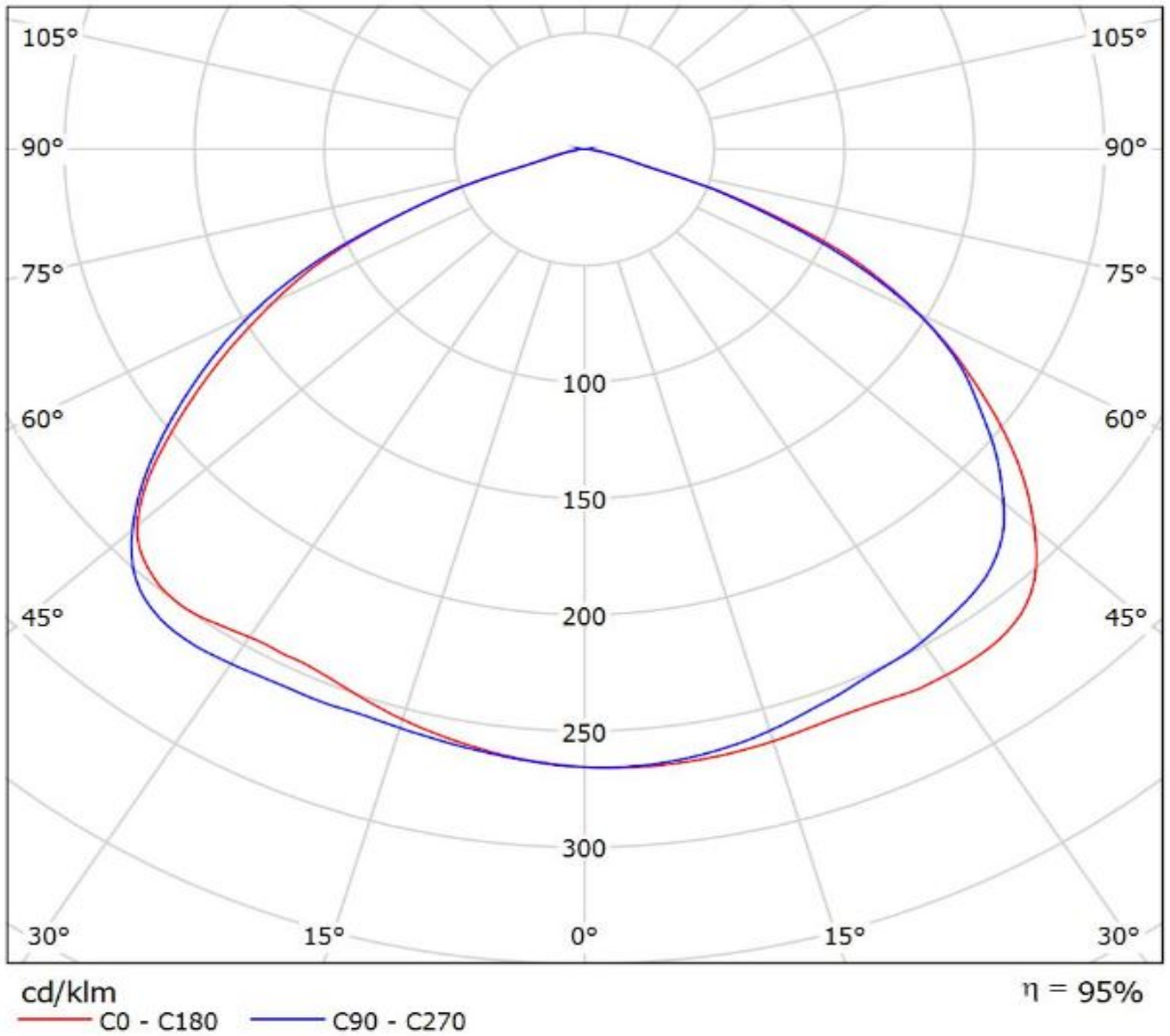
Luminaire: Ledil C15920_STRADELLA-8-HV-CY_(XT-E)_Cav2

Lamps: 1 x Cree_XT-E_x8_(XTEAWT-0-2A0-R30-FB0001)_796.323lm@250mA_P=5.966W_I=0.250A



Luminaire: Ledil C15920_STRADELLA-8-HV-CY_(XT-E)_Cav2

Lamps: 1 x Cree_XT-E_x8_(XTEAWT-0-2A0-R30-FB0001)_796.323lm@250mA_P=5.966W_I=0.250A



NOTE: The typical divergence will be changed by different color, chip size and chip position tolerance. The typical total divergence is the full angle measured where the luminous intensity is half of the peak value.