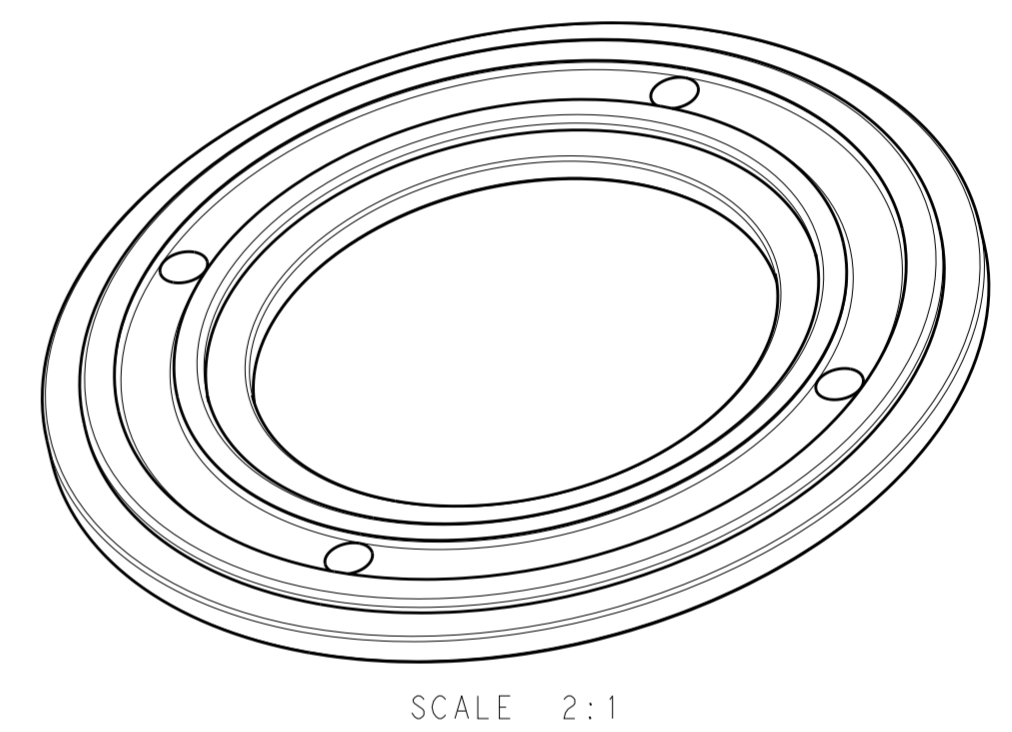
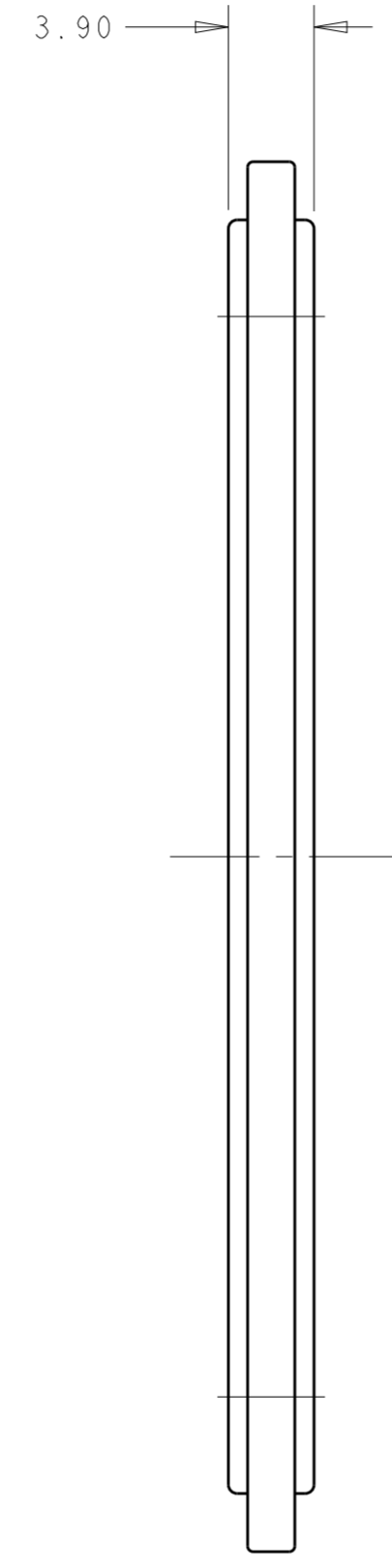
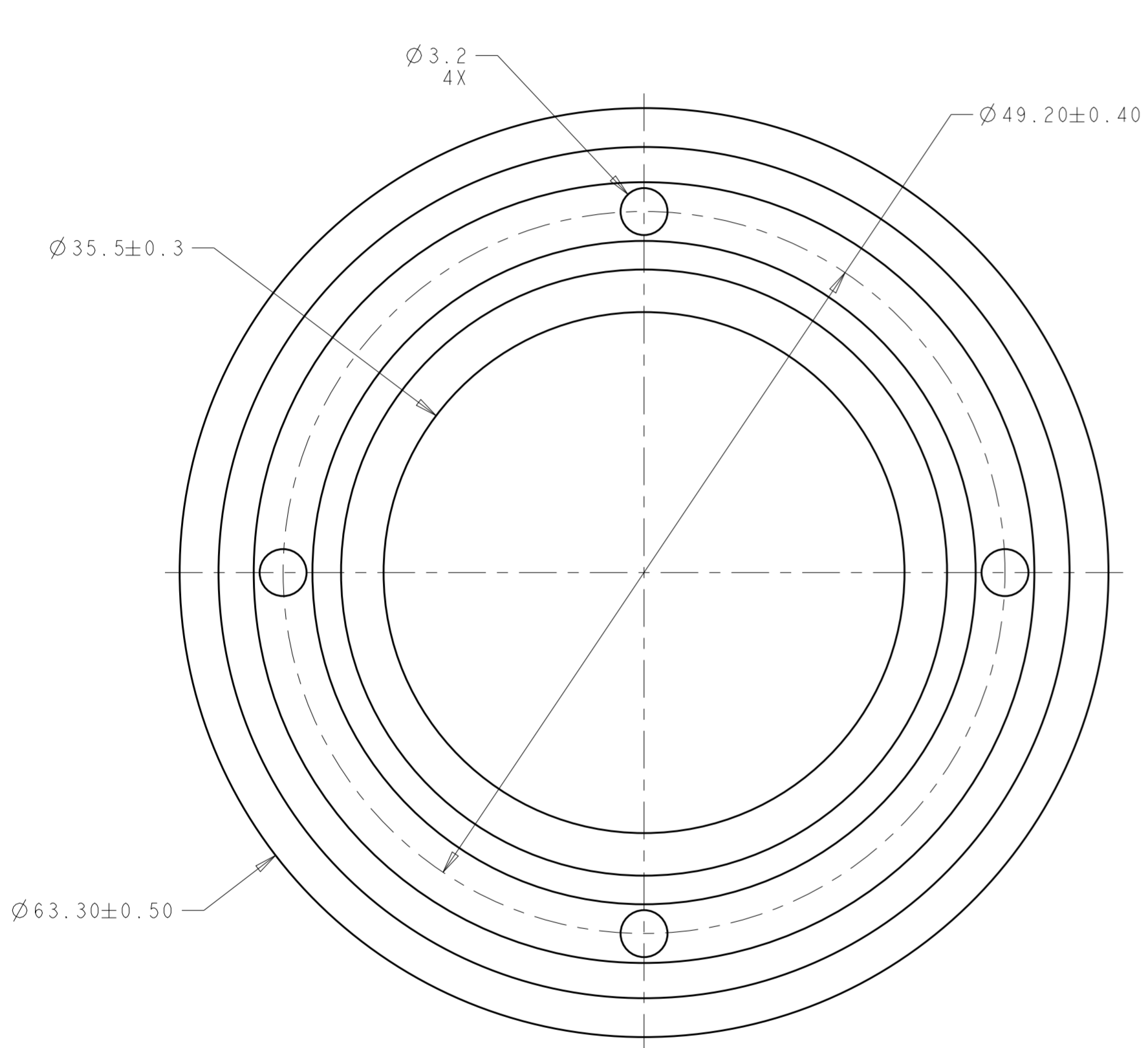


THIS DRAWING IS UNPUBLISHED. RELEASED FOR PUBLICATION 20
 © COPYRIGHT 20 BY - ALL RIGHTS RESERVED.

REVISIONS					
P	LTR	DESCRIPTION	DATE	DWN	APVD
4		ADJUST TOLERANCE PER FAI	13JUL2018	CD	EH
A		ECR-18-011649	24JUL2018	GCM	DD
A1		ECO-18-014097	07SEP2018	GCM	DD
A2		ECO-18-017192	31OCT2018	SR	DD

- 1 MATERIAL: SILICON, COLOR: BLACK
- 2. MUST COMPLY WITH DIRECTIVE 2002/95/EC (ROHS)



2332473-1
PART NO.

THIS DRAWING IS A CONTROLLED DOCUMENT.		DWN C. DAILY 16MAR2018	STE TE Connectivity															
		CHK M. STOLLER 16MAR2018																
DIMENSIONS: mm		TOLERANCES UNLESS OTHERWISE SPECIFIED:		NAME GASKET, SEALING TOOL-LESS ROTATABLE DIMMING RECEPTACLE														
<table border="0"> <tr><td>0 PLC</td><td>±</td></tr> <tr><td>1 PLC</td><td>±0.2</td></tr> <tr><td>2 PLC</td><td>±0.13</td></tr> <tr><td>3 PLC</td><td>±</td></tr> <tr><td>4 PLC</td><td>±</td></tr> <tr><td>ANGLES</td><td>±1°</td></tr> <tr><td>FINISH</td><td>-</td></tr> </table>		0 PLC	±	1 PLC	±0.2	2 PLC	±0.13	3 PLC	±	4 PLC	±	ANGLES	±1°	FINISH	-	APVD -	PRODUCT SPEC 108-133114	SIZE A2
0 PLC	±																	
1 PLC	±0.2																	
2 PLC	±0.13																	
3 PLC	±																	
4 PLC	±																	
ANGLES	±1°																	
FINISH	-																	
MATERIAL -		APPLICATION SPEC 114-133114	WEIGHT -	CAGE CODE 200779														
		CUSTOMER DRAWING	SCALE 1:1	DRAWING NO. C-2332473														
			SHEET 1 OF 1	REV A2														