

NOTES:

1. MATERIAL:

CAGE: NICKEL SILVER, THICKNESS: 0.25mm
 CONNECTOR HOUSING: GLASS FILLED, LIQUID CRYSTAL POLYMER (LCP), UL 94V-0
 COLOR: BLACK
 OVERMOLDED TERMINAL HOUSING: GLASS FILLED, LIQUID CRYSTAL POLYMER (LCP),
 UL 94V-0, COLOR: BLACK
 TERMINALS: TIN BRASS
 LIGHT PIPES: POLYCARBONATE, UL 94V-0, COLOR: CLEAR
 LIGHT PIPE HOUSING: ZINC

2. FINISH:

LIGHT PIPE HOUSING: 150 MICROMETERS MINIMUM NICKEL OVER 150 MICROMETERS MINIMUM COPPER
 TERMINALS: CONTACT AREA: 0.76 MICROMETERS MINIMUM HARD GOLD
 OVER 1.27 MICROMETERS MINIMUM NICKEL.
 COMPLIANT TAIL - 0.76 - 1.52 MICROMETERS MATTE TIN
 OVER 0.76 - 1.52 MICROMETERS NICKEL

3. REFER TO PS-75310-001 PRODUCT SPEC FOR ALL ELECTRICAL, MECHANICAL AND ENVIRONMENTAL SPECIFICATIONS.

4. LIGHT PIPE PAD LAYOUT IS FOR 0805 LOW-PROFILE LED PACKAGE, FOR OTHER RECOMMENDED LAYOUTS REFER TO MOLEX'S REPORT TS-75310-001.

5. REFER TO PK-76352-001 FOR ALL PACKAGING SPECIFICATIONS.

6. ALL EXTERIOR SURFACES TO BE CLASS "B" SURFACE EXCEPT THE UNDER SIDE OF THE CAGE WHERE THE PCB WOULD BE LOCATED AND AS NOTED. THE SURFACES TO CONFORM TO THE MOLEX COSMETIC DOC PS-45499-002.

7. THE OVERALL CAGE WIDTH AT THE VERTICAL CENTER OF THE FRONT EDGE WILL FALL WITHIN THIS DIMENSION: 114.80 ± 0.30 MM. THIS PORTION OF THE CAGE WILL FLEX INWARD AS THE CAGE IS BEING INSERTED INTO THE BEZEL OPENING.

8. REFER TO AS-76090-001 FOR HIGH SPEED ROUTING RECOMMENDATIONS.

9. DATE CODE LOCATION IS SHOWN ABOVE.

DATE CODE FORMAT: DDDY MX A1

DDD = DAY OF THE YEAR

Y = YEAR

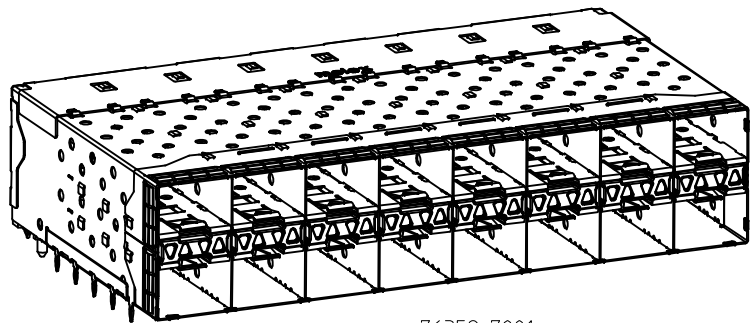
MX = MOLEX

A = ALPHA CHARACTER - INDICATES MANUFACTURING LINE

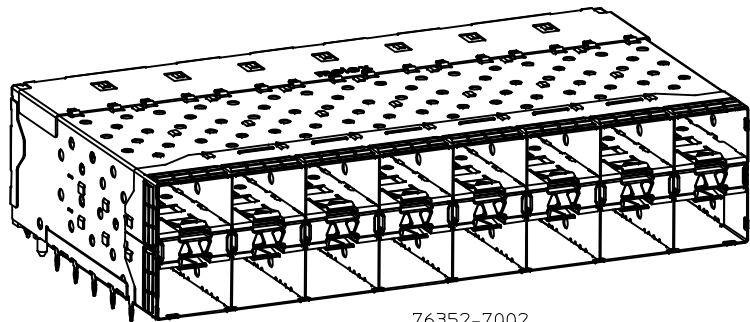
1 = NUMERIC CHARACTER - INDICATES PRODUCTION SHIFT

PART NUMBER	LIGHTPIPE CONFIGURATION - SEE SHEET 2
763527001	4 LIGHT PORTS
763527002	INNER 2 PORTS
763527003	OUTER 2 PORTS

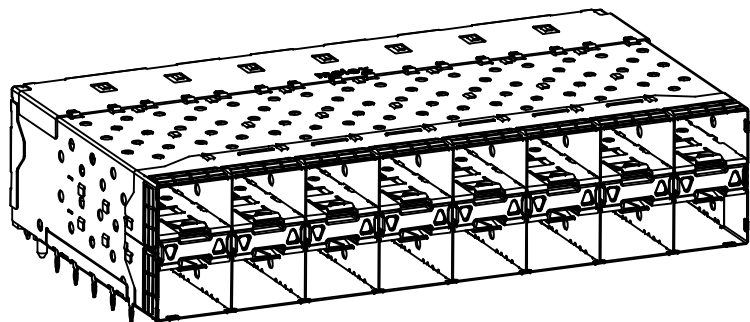
ADD -7003 EC NO: UCP2014-0426 DRWN:BBARKER 2013/07/29 CHKD: APPR:SMILLER 2015/12/22 DESCRIPTION	QUALITY SYMBOLS	GENERAL TOLERANCES (UNLESS SPECIFIED)	DIMENSION STYLE MM ONLY	SCALE 2:1	DESIGN UNITS METRIC	THIRD ANGLE PROJECTION
	▽=0	mm INCH	DRAWN BY DATE MSIBARRA 2010/09/03	TITLE	STACKED SFP+ 2X8 ASS'Y WITH METAL EMI GASKET LIGHTPIPES-IMPROVED EMI molex DOCUMENT NO. SD-76352-0002 SHEET NO. 1 OF 5	
	▽=0	4 PLACES ± --- ± ---	CHECKED BY DATE DMORGAN 2010/09/03			
	▽=0	3 PLACES ± --- ± ---	APPROVED BY DATE SMILLER 2010/10/06			
▽=0	2 PLACES ± 0.13 ± ---	MATERIAL NO. SEE TABLE				
		0 PLACE ± ±	SIZE C	THIS DRAWING CONTAINS INFORMATION THAT IS PROPRIETARY TO MOLEX. INCORPORATED AND SHOULD NOT BE USED WITHOUT WRITTEN PERMISSION		
		ANGULAR ± 5 °	DRAFT WHERE APPLICABLE MUST REMAIN WITHIN DIMENSIONS			



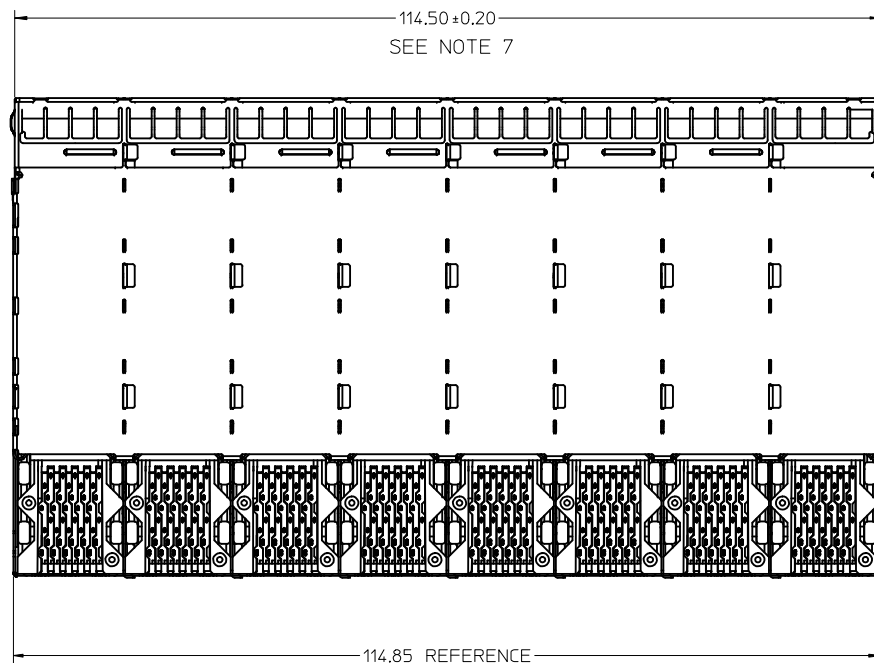
76352-7001
WITH INNER & OUTER LIGHT PIPE PORTS



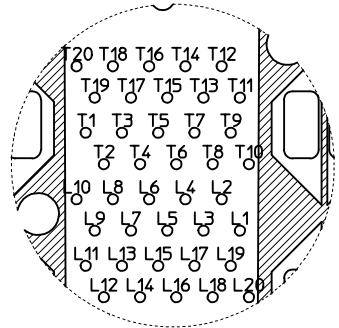
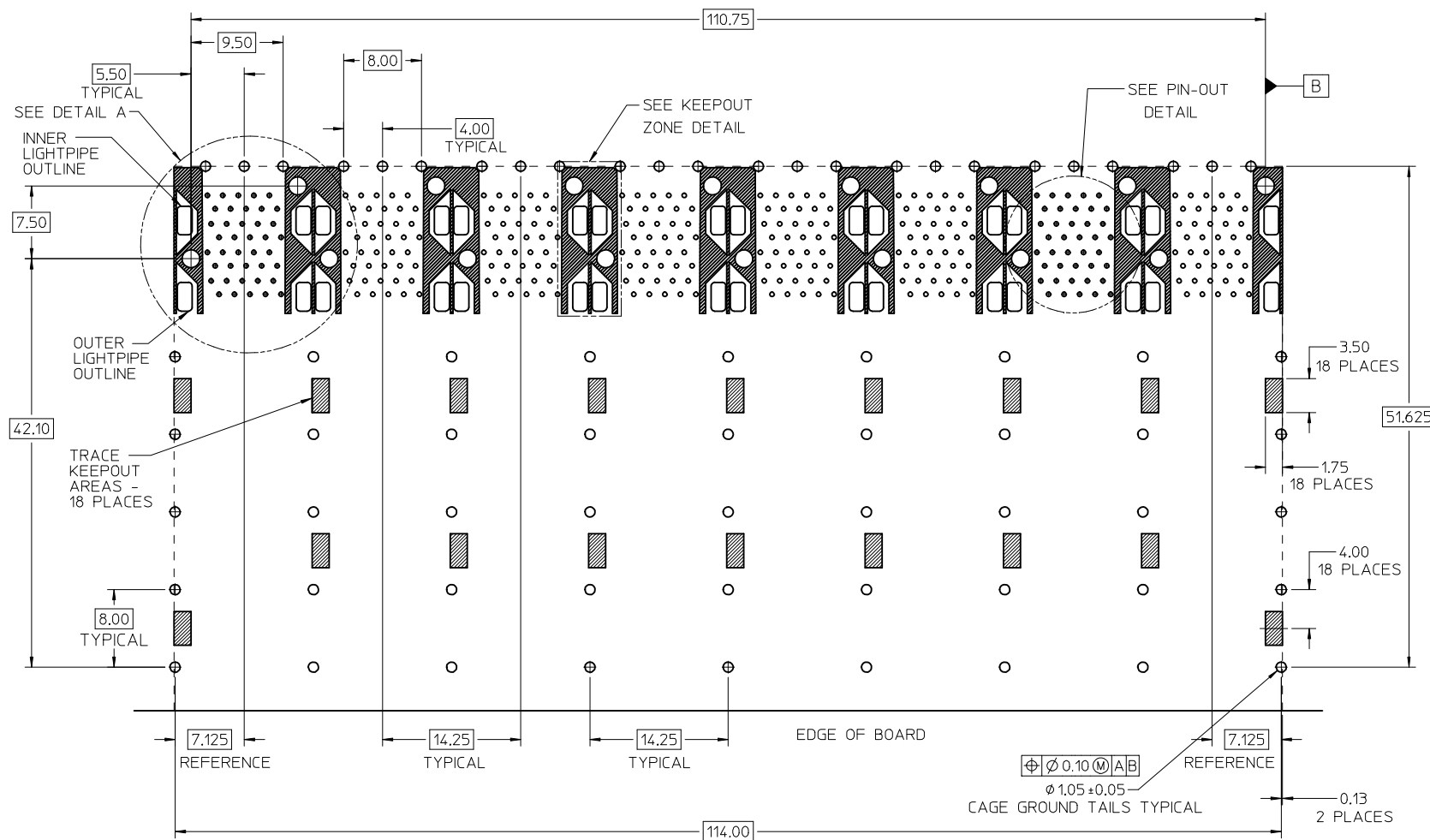
76352-7002
WITH INNER LIGHT PIPE PORTS



76352-7003
WITH OUTER LIGHT PIPE PORTS



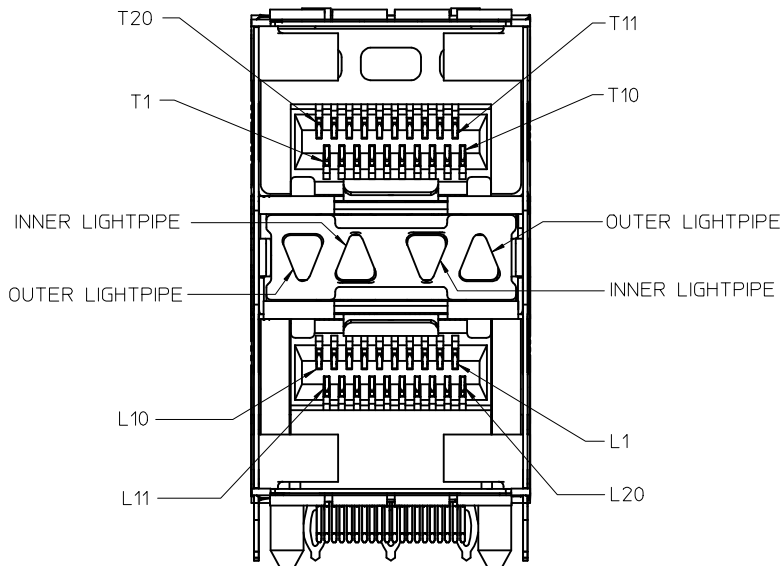
SEE SHEET 1 EC NO: UCP2014-0426 DRWN:BBARKER 2013/07/29 CHKD: APPR:SMILLER 2015/12/22	QUALITY SYMBOLS	GENERAL TOLERANCES (UNLESS SPECIFIED)		DIMENSION STYLE MM ONLY		SCALE 2:1	DESIGN UNITS METRIC	THIRD ANGLE PROJECTION	
	▽=0	mm	INCH	DRAWN BY MSIBARRA	DATE 2010/09/03	TITLE STACKED SFP+ 2X8 ASS'Y WITH METAL EMI GASKET LIGHTPIPES-IMPROVED EMI		DOCUMENT NO. SD-76352-0002 SHEET NO. 2 OF 5	
	▽=0	4 PLACES ± ---	± ---	CHECKED BY DMORGAN	DATE 2010/09/03				
	▽=0	3 PLACES ± ---	± ---	APPROVED BY SMILLER	DATE 2010/10/06				
▽=0	2 PLACES ± 0.13	± ---	MATERIAL NO.						
		1 PLACE ± 0.25	± ---	DRAFT WHERE APPLICABLE MUST REMAIN WITHIN DIMENSIONS		SEE TBL, SHT 1			
		0 PLACE ±	±			SIZE C	THIS DRAWING CONTAINS INFORMATION THAT IS PROPRIETARY TO MOLEX INCORPORATED AND SHOULD NOT BE USED WITHOUT WRITTEN PERMISSION		



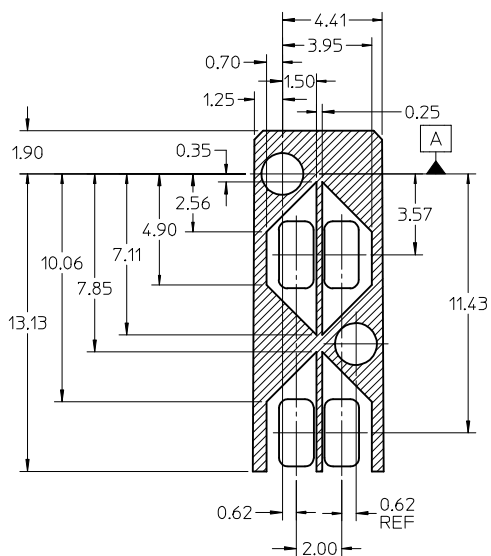
CONNECTOR PIN-OUT
COMPONENT SIDE OF BOARD

RECOMMENDED PCB LAYOUT - COMPONENT SIDE
 RECOMMENDED PCB THICKNESS - 2.63 MM (.093 INCH)
 THE ENTIRE AREA OF THE CONNECTOR FOOTPRINT
 TO BE CONSIDERED THE KEEP OUT AREA FOR COMPONENTS
 (OTHER THAN LIGHT PIPE LED'S)
 THIS AREA IS INDICATED BY THE DASHED LINE

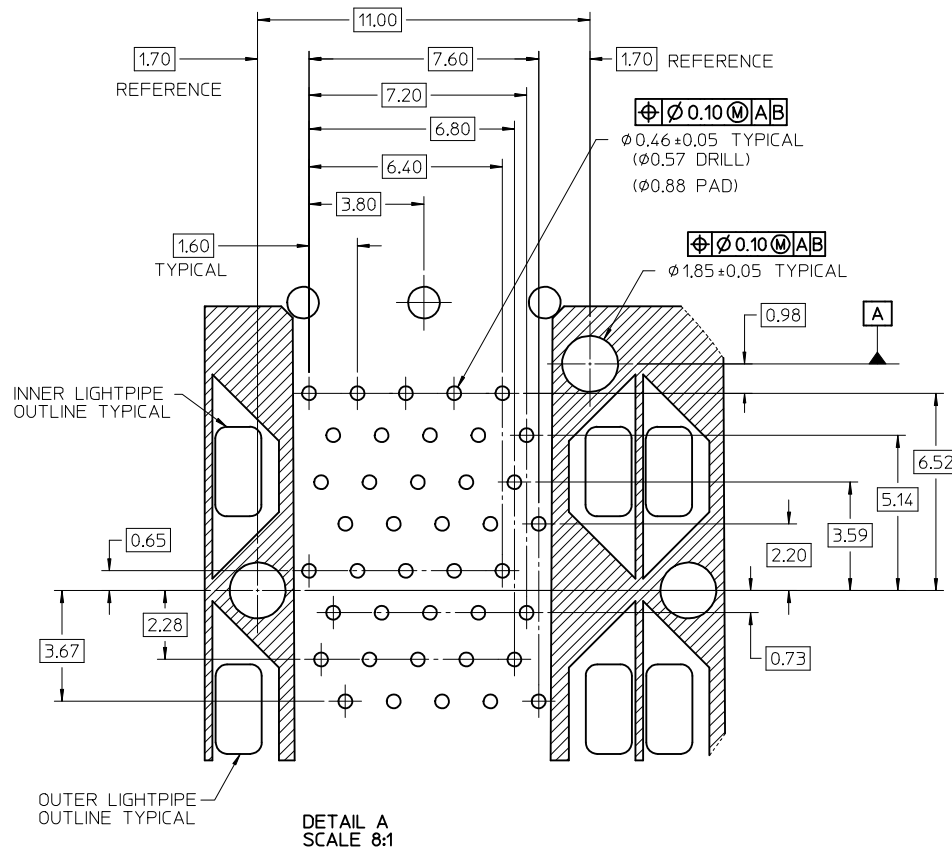
SEE SHEET 1 EC NO: UCP2014-0426 DRWN:BBARKER 2013/07/29 CHKD: APPR:SMILLER 2015/12/22	QUALITY SYMBOLS	GENERAL TOLERANCES (UNLESS SPECIFIED)	DIMENSION STYLE MM ONLY	SCALE 3:1	DESIGN UNITS METRIC	THIRD ANGLE PROJECTION
	▽=0	mm INCH	DRAWN BY DATE MSIBARRA 2010/09/03	TITLE	STACKED SFP+ 2X8 ASS'Y WITH METAL EMI GASKET LIGHTPIPES-IMPROVED EMI molex	
	▽=0	4 PLACES ± --- ± ---	CHECKED BY DATE DMORGAN 2010/09/03	DOCUMENT NO.		
	▽=0	3 PLACES ± --- ± ---	APPROVED BY DATE SMILLER 2010/10/06	SHEET NO.		
▽=0	2 PLACES ± 0.13 ± ---	MATERIAL NO.	3 OF 5			
		1 PLACE ± 0.25 ± ---	SEE TBL, SHT 1	SD-76352-0002		
		0 PLACE ± ±		THIS DRAWING CONTAINS INFORMATION THAT IS PROPRIETARY TO MOLEX INCORPORATED AND SHOULD NOT BE USED WITHOUT WRITTEN PERMISSION		



DETAIL B
SCALE 5:1
CIRCUIT NUMBERING
AND LIGHTPIPE
IDENTIFICATION

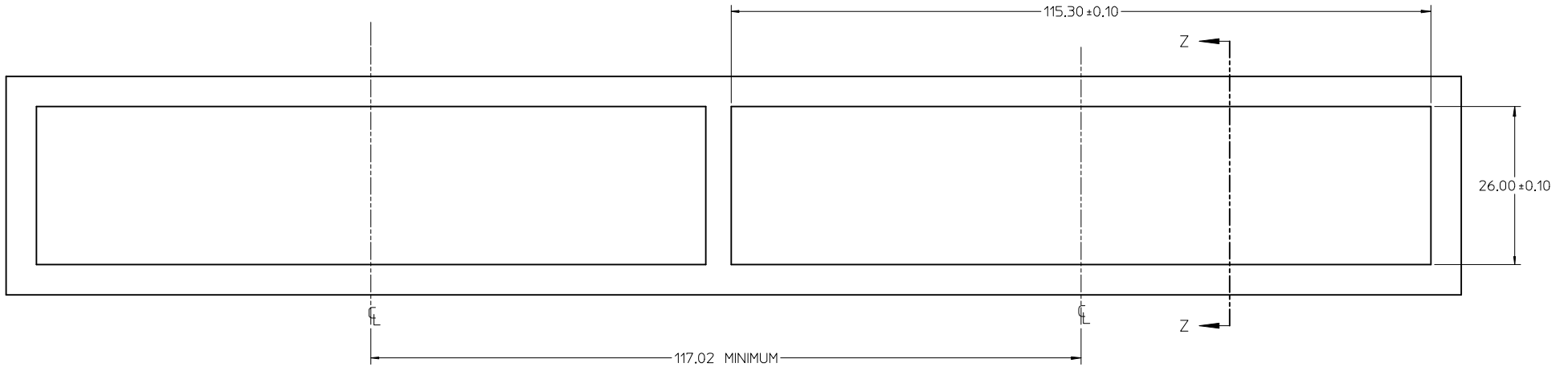


DETAIL - LIGHT PIPE AND OTHER ZONES
THE HATCHED AREA IN THIS VIEW INDICATES ZONES
THAT ARE OCCUPIED BY THE PLASTIC HOUSING THAT
SEATS AGAINST THE PCB AND BY THE VERTICAL METAL
CAGE WALL THAT STOPS JUST SHORT OF THE PCB

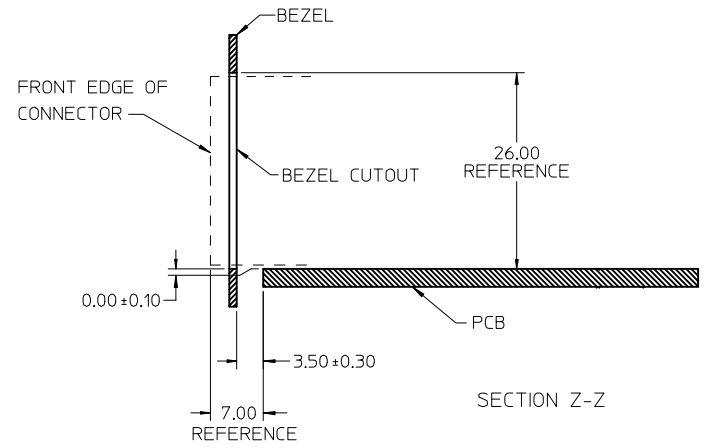


DETAIL A
SCALE 8:1

SEE SHEET 1 EC NO: UCP2014-0426 DRWN:BBARKER 2013/07/29 CHKD: APPR:SMILLER 2015/12/17	QUALITY SYMBOLS $\nabla = 0$ $\nabla = 0$ $\nabla = 0$	GENERAL TOLERANCES (UNLESS SPECIFIED) <table border="1"> <tr> <th></th> <th>mm</th> <th>INCH</th> </tr> <tr> <td>4 PLACES</td> <td>\pm ---</td> <td>\pm ---</td> </tr> <tr> <td>3 PLACES</td> <td>\pm ---</td> <td>\pm ---</td> </tr> <tr> <td>2 PLACES</td> <td>± 0.13</td> <td>\pm ---</td> </tr> <tr> <td>1 PLACE</td> <td>± 0.25</td> <td>\pm ---</td> </tr> <tr> <td>0 PLACE</td> <td>\pm</td> <td>\pm</td> </tr> </table>		mm	INCH	4 PLACES	\pm ---	\pm ---	3 PLACES	\pm ---	\pm ---	2 PLACES	± 0.13	\pm ---	1 PLACE	± 0.25	\pm ---	0 PLACE	\pm	\pm	DIMENSION STYLE MM ONLY DRAWN BY DATE MS IBARRA 2010/09/03 CHECKED BY DATE DMORGAN 2010/09/03 APPROVED BY DATE SMILLER 2010/10/06	SCALE 5:1 DESIGN UNITS METRIC THIRD ANGLE PROJECTION	TITLE STACKED SFP+ 2X8 ASS'Y WITH METAL EMI GASKET LIGHTPIPES-IMPROVED EMI molex
		mm	INCH																				
	4 PLACES	\pm ---	\pm ---																				
	3 PLACES	\pm ---	\pm ---																				
2 PLACES	± 0.13	\pm ---																					
1 PLACE	± 0.25	\pm ---																					
0 PLACE	\pm	\pm																					
DRAFT WHERE APPLICABLE MUST REMAIN WITHIN DIMENSIONS	MATERIAL NO. SEE TBL, SHT 1	DOCUMENT NO. SD-76352-0002	SHEET NO. 4 OF 5																				
THIS DRAWING CONTAINS INFORMATION THAT IS PROPRIETARY TO MOLEX INCORPORATED AND SHOULD NOT BE USED WITHOUT WRITTEN PERMISSION																							



BEZEL CUT-OUT DETAIL
RECOMMENDED BEZEL THICKNESS: 0.8MM - 2.6MM



SEE SHEET 1 EC NO: UCP2014-0426 DRWN:BBARKER 2013/07/29 CHKD: APPR:SMILLER 2015/12/17	QUALITY SYMBOLS	GENERAL TOLERANCES (UNLESS SPECIFIED)	DIMENSION STYLE MM ONLY		SCALE 2:1	DESIGN UNITS METRIC	THIRD ANGLE PROJECTION
	▽=0	4 PLACES ± --- ± ---	mm	INCH	DRAWN BY MSIBARRA	DATE 2010/09/03	STACKED SFP+ 2X8 ASS'Y WITH METAL EMI GASKET LIGHTPIPES-IMPROVED EMI molex DOCUMENT NO. SD-76352-0002 SHEET NO. 5 OF 5
	▽=0	3 PLACES ± --- ± ---			CHECKED BY DMORGAN	DATE 2010/09/03	
	▽=0	2 PLACES ± 0.13 ± ---			APPROVED BY SMILLER	DATE 2010/10/06	
	1 PLACE ± 0.25 ± ---			MATERIAL NO.			
		0 PLACE ± ±			ANGULAR ± 5 °		
D	DESCRIPTION	DRAFT WHERE APPLICABLE MUST REMAIN WITHIN DIMENSIONS		SIZE C	SEE TBL, SHT 1 THIS DRAWING CONTAINS INFORMATION THAT IS PROPRIETARY TO MOLEX INCORPORATED AND SHOULD NOT BE USED WITHOUT WRITTEN PERMISSION		