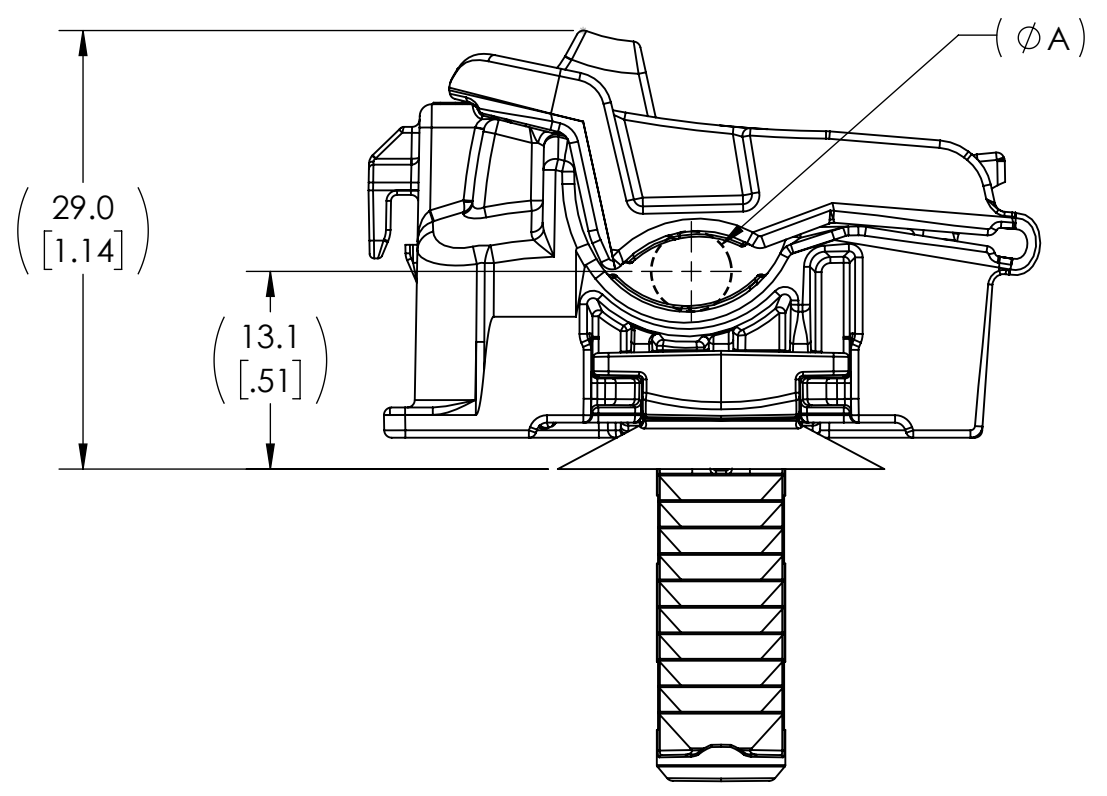
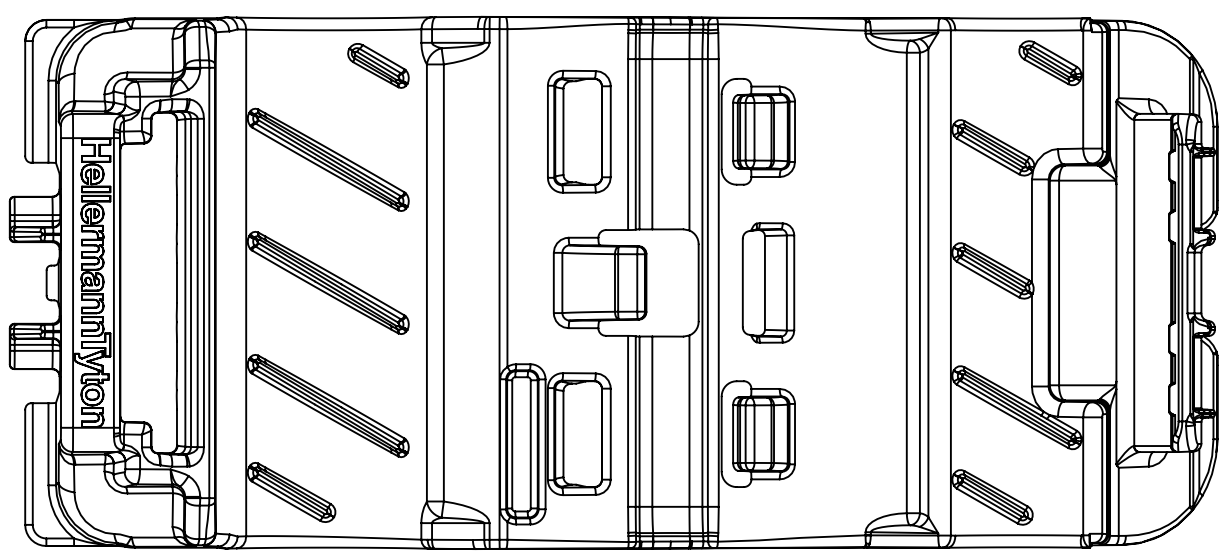
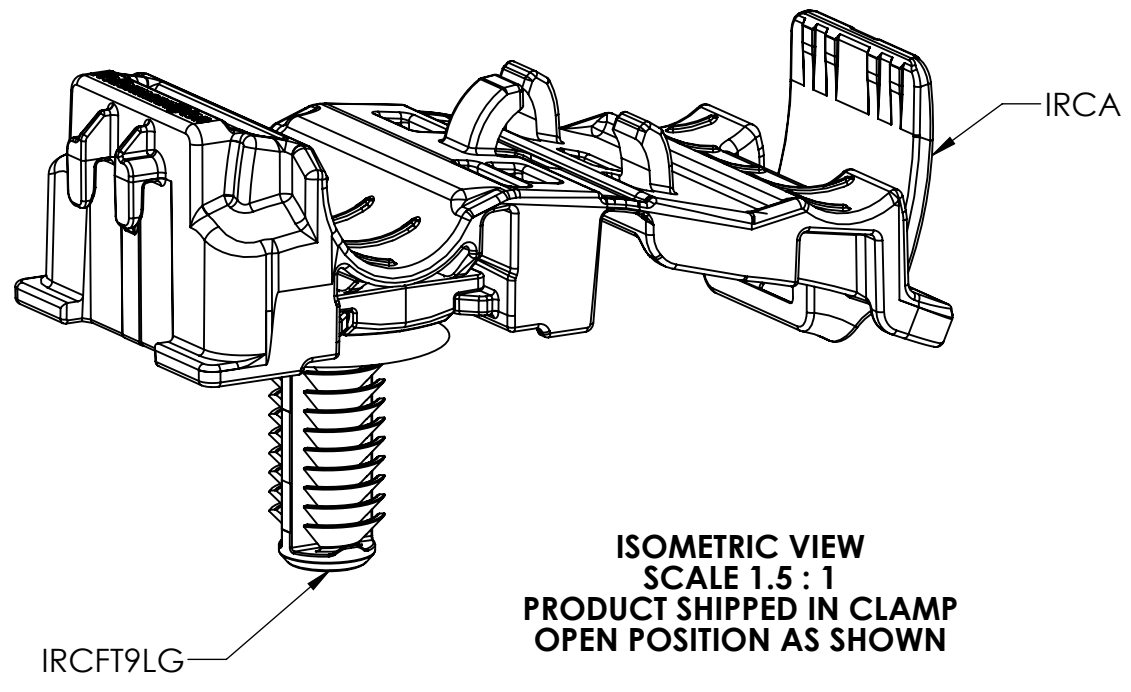
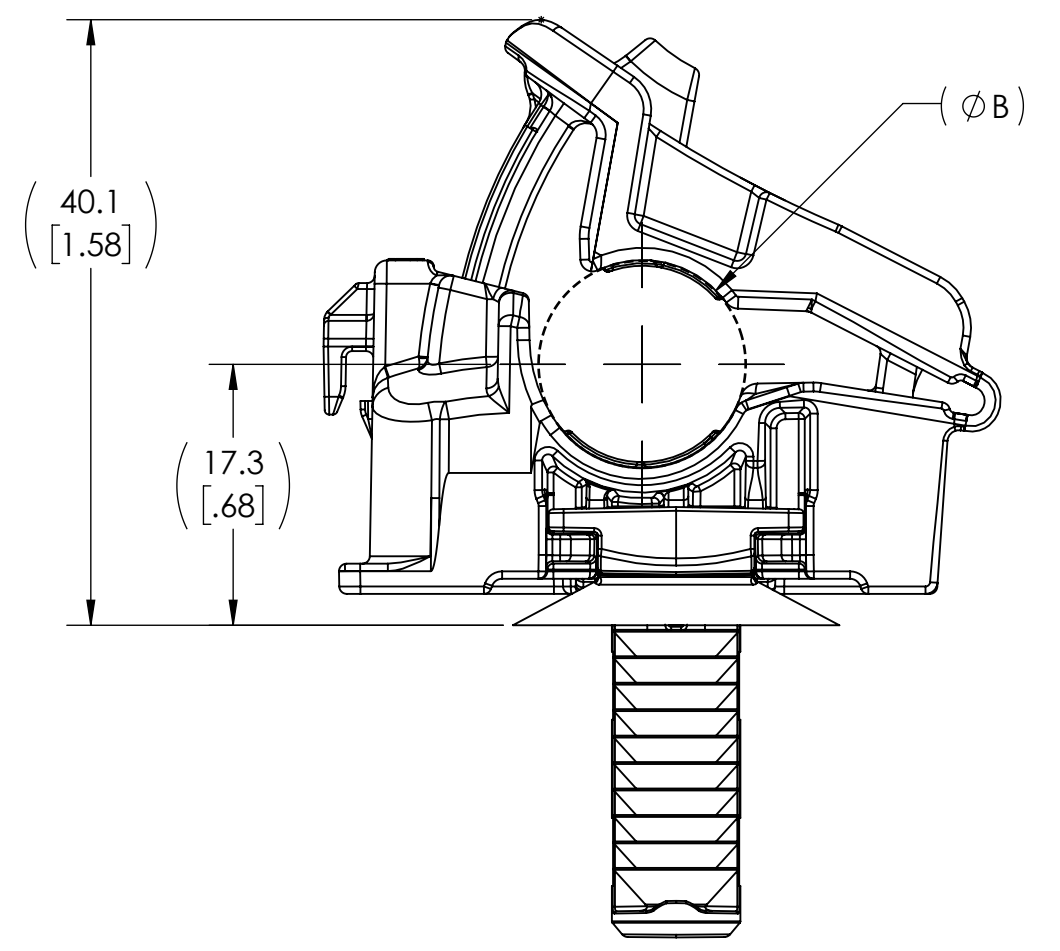
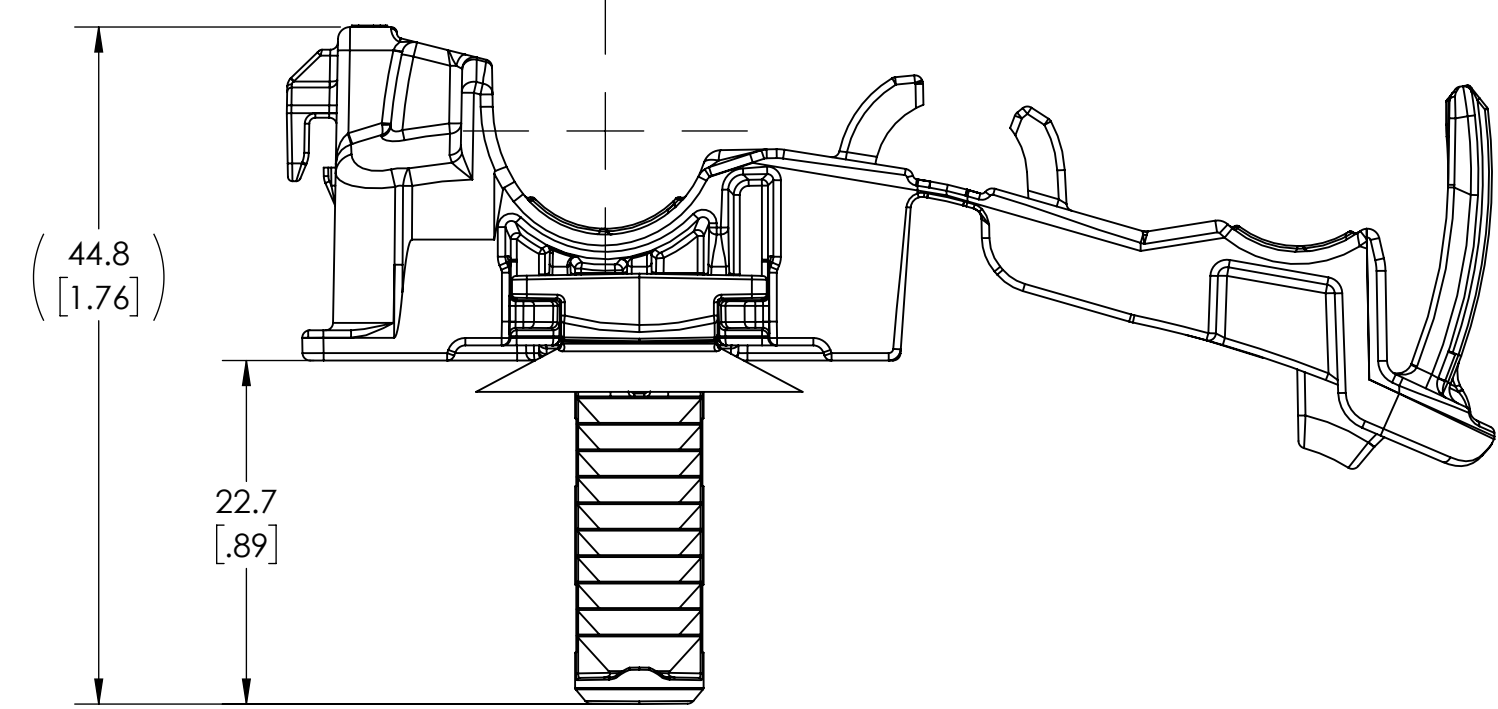
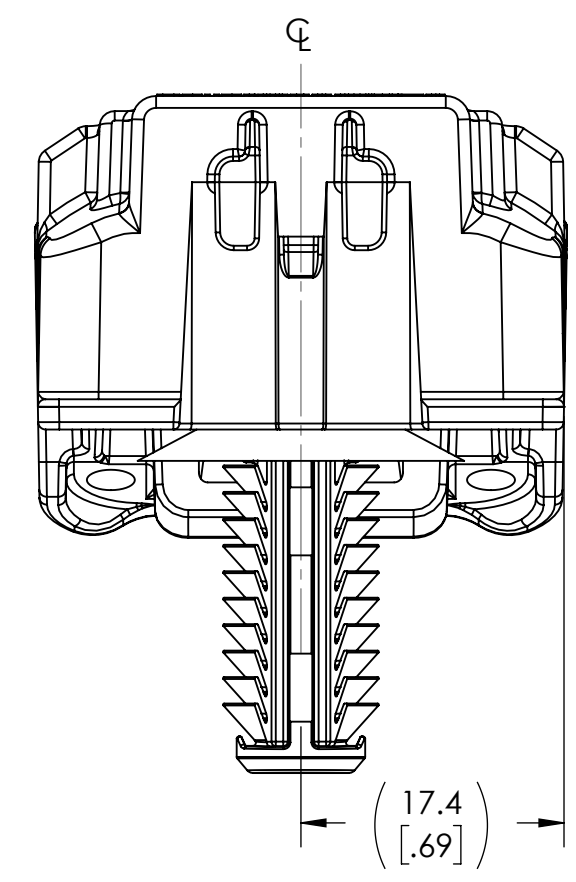


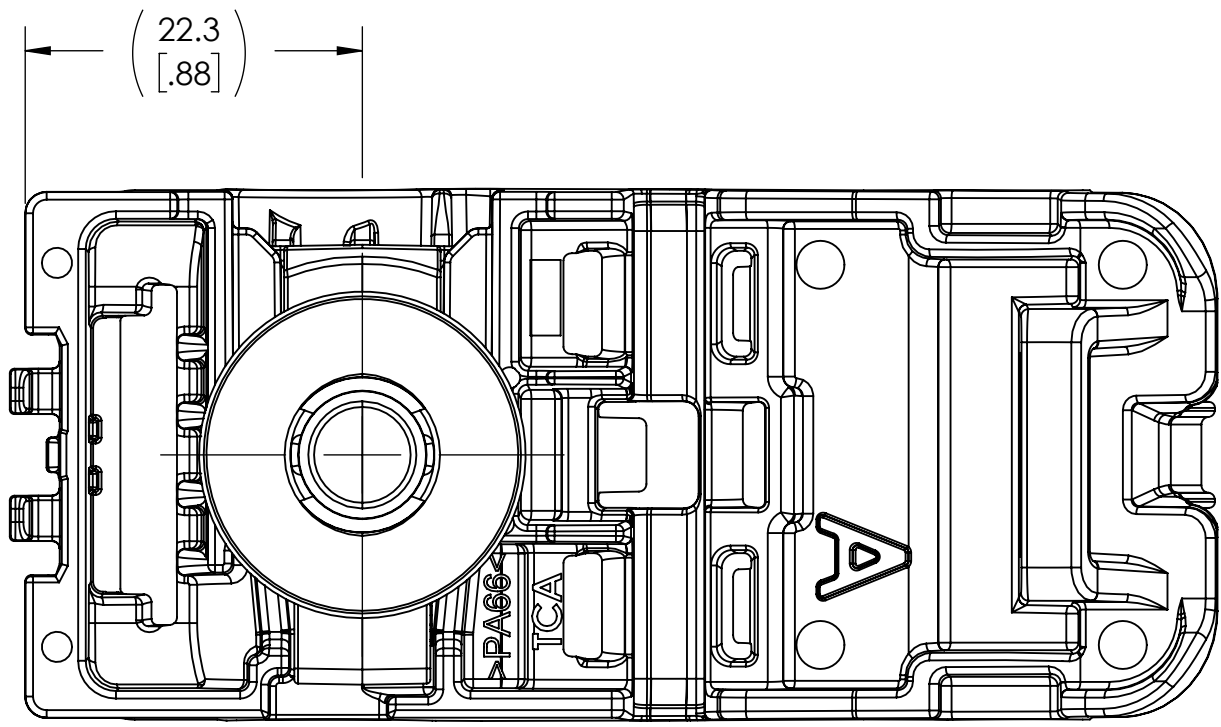
Revision level			Revision Record	Changed	Date	Approved	Date
Drawing	State	Part					
00.0	Design Release		SEE ECN# 015255	MHT	06/28/2019	CTF	06/28/2019



MINIMUM BUNDLE DIAMETER



MAXIMUM BUNDLE DIAMETER



- REFERENCE:**
- SHEET METAL THICKNESS RANGE: 0.6mm - 12.7mm
  - APPLICABLE HOLE SIZE: A. 9.0mm +/-0.4

GLOBAL PART DESCRIPTION	BUNDLE TYPES	(A) MINIMUM DIAMETER	(B) MAXIMUM DIAMETER	IRCA CLAMP			IRCFT9LG CONNECTOR CLIP		
				DRAWING	MATERIAL	COLOR	DRAWING	MATERIAL	COLOR
IRCAFT9LG-PA66HIRHSUV-BK	SOFT	6.2 [.24]	13.7 [.54]	16-1639-001-CSU	PA66HIRHSUV	BLACK	16-1645-050-CSU	PA66HIRHSUV	BLACK
	HARD	5.4 [.21]	12.9 [.51]						

Notes	Material	Units: millimeters	The copyright of this drawing is reserved by HellermannTyton. It is issued on condition that it is not reproduced, copied, or disclosed to a third party, either wholly or in part, without the consent of HellermannTyton.	Drawn	MHT	06/24/2019	Article/Type-No	IRCAFT9LG		Scale	2:1
	SEE CHART	Dimension without tolerances details to:		Approved	CTF	06/24/2019	Title	INLINE RATCHET P-CLAMP A WITH 9mm LONG FIR TREE		Project Number	PRP19-0321
		.xxx = ±.013		HellermannTyton North America Email: corp@htamericas.com Web: www.hellermann.tyton.com	Drawing-No	19-0321-101-CSU		Production : Phase	Format	C	
		.xx = ±.13			Sheet	1/1					
.x = ±.3											
None = ±.8											
< = ±0.5*											
Dimension Formatted mm{in}											