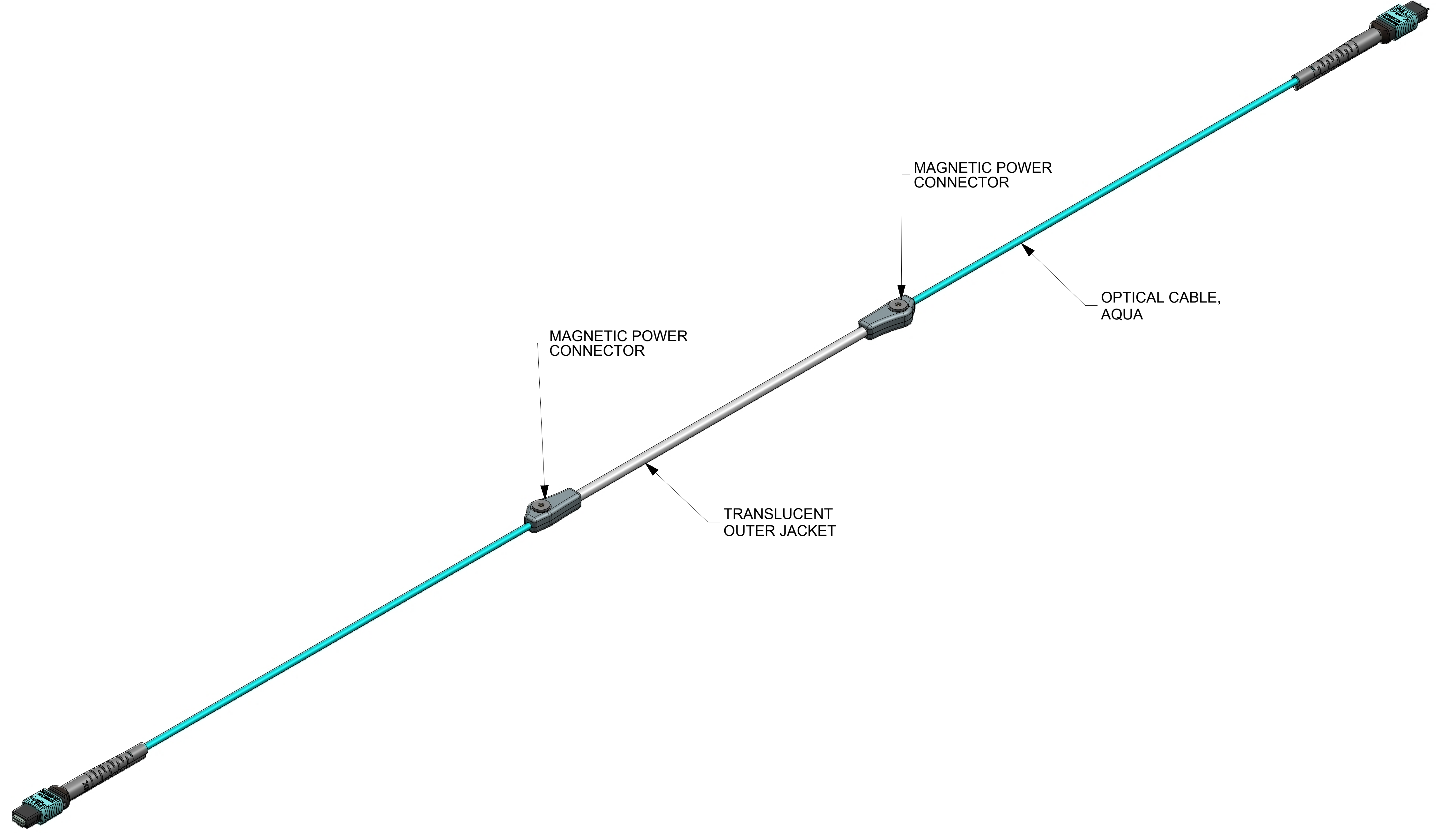
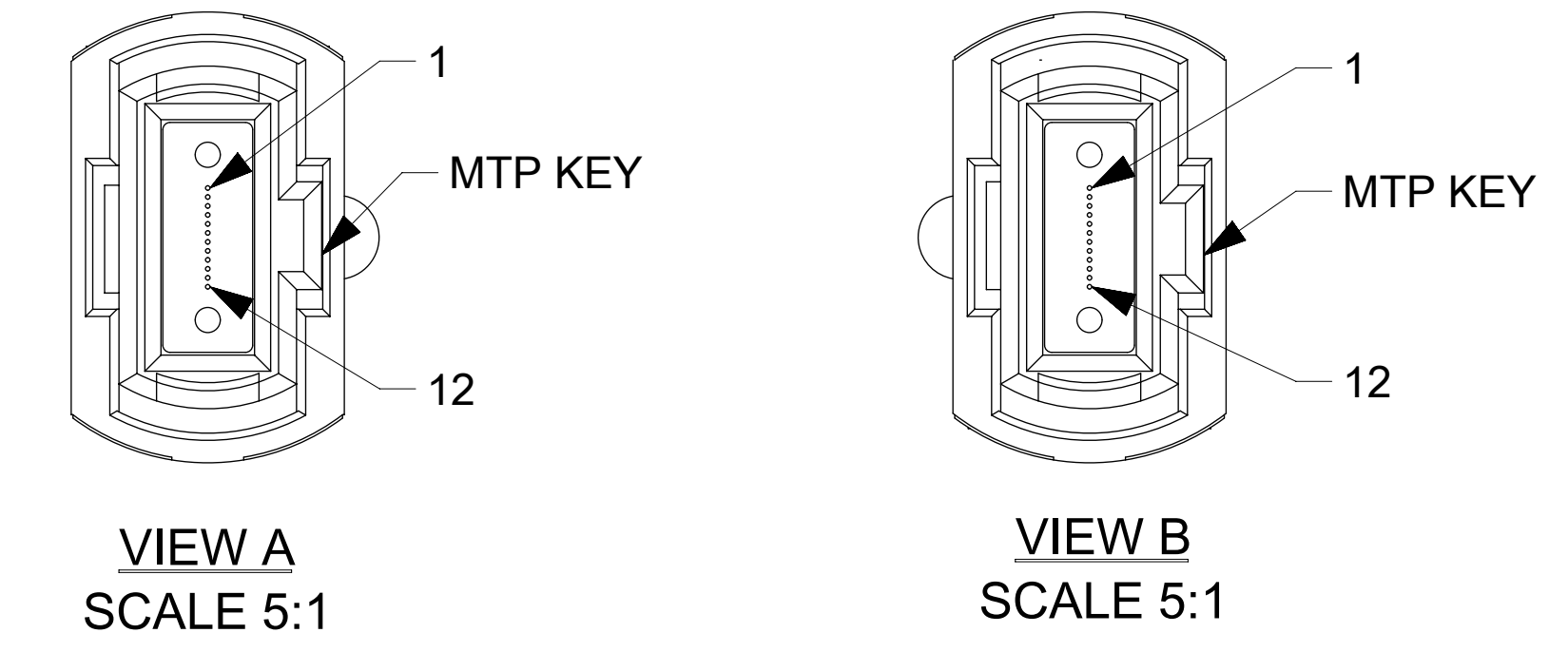
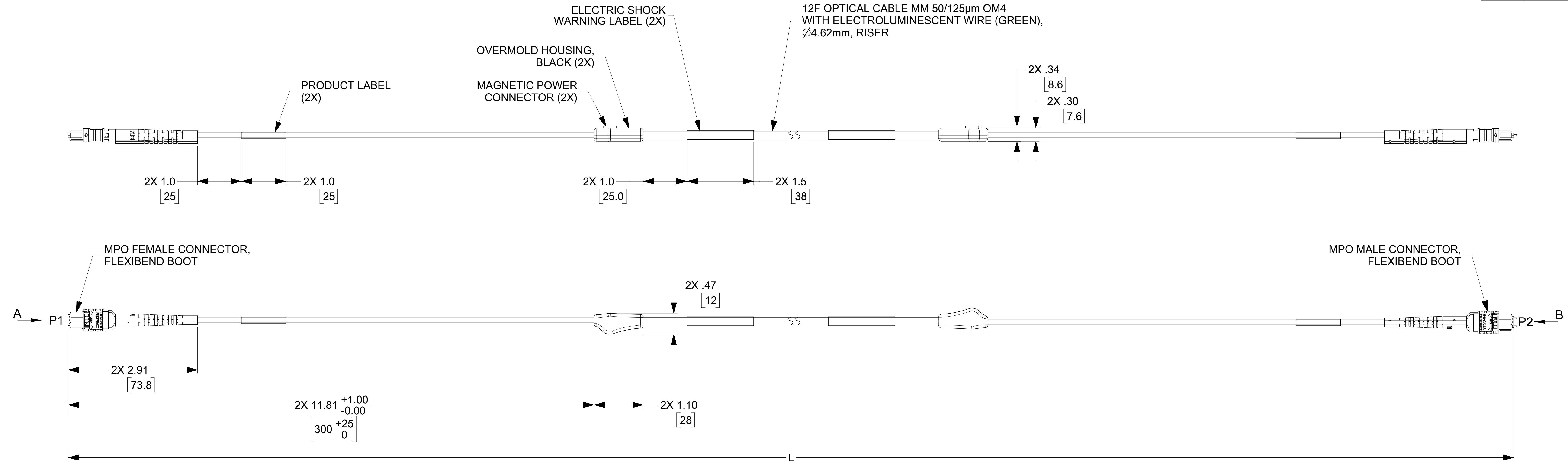
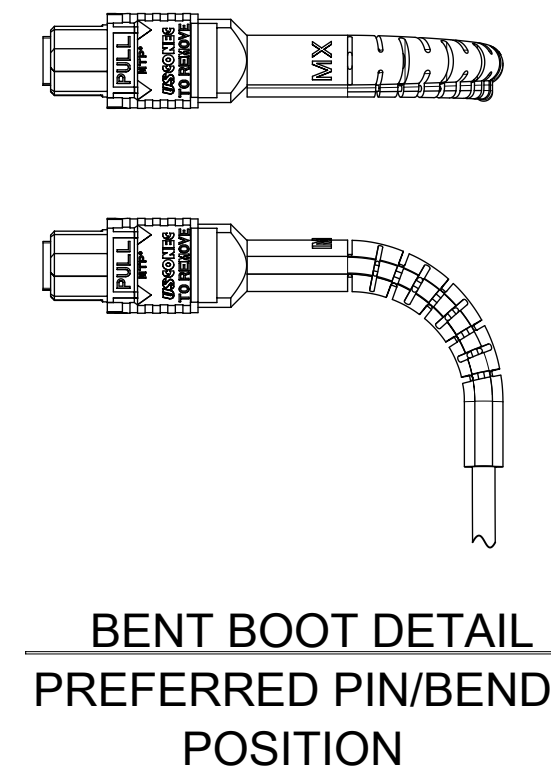


LumaLink CABLE P/N	LENGTH L (ft)	LumaLink CABLE P/N	LENGTH L (ft)
1062837301	5.0 +0.67/-0	1062837343	205.0 +4.1/-0
1062837302	8.0 +0.67/-0	1062837344	210.0 +4.2/-0
1062837303	10.0 +0.67/-0	1062837345	215.0 +4.3/-0
1062837305	15.0 +0.67/-0	1062837346	220.0 +4.4/-0
1062837306	20.0 +0.67/-0	1062837347	225.0 +4.5/-0
1062837307	25.0 +0.67/-0	1062837348	230.0 +4.6/-0
1062837308	30.0 +1.0/-0	1062837349	235.0 +4.7/-0
1062837309	35.0 +1.0/-0	1062837350	240.0 +4.8/-0
1062837310	40.0 +1.0/-0	1062837351	245.0 +4.9/-0
1062837311	45.0 +1.0/-0	1062837352	250.0 +5.0/-0
1062837312	50.0 +1.0/-0	1062837353	255.0 +5.1/-0
1062837313	55.0 +1.0/-0	1062837354	260.0 +5.2/-0
1062837314	60.0 +1.0/-0	1062837355	265.0 +5.3/-0
1062837315	65.0 +1.3/-0	1062837356	270.0 +5.4/-0
1062837316	70.0 +1.4/-0	1062837357	275.0 +5.5/-0
1062837317	75.0 +1.5/-0	1062837358	280.0 +5.6/-0
1062837318	80.0 +1.6/-0	1062837359	285.0 +5.7/-0
1062837319	85.0 +1.7/-0	1062837360	290.0 +5.8/-0
1062837320	90.0 +1.8/-0	1062837361	295.0 +5.9/-0
1062837321	95.0 +1.9/-0	1062837362	300.0 +6.0/-0
1062837322	100.0 +2.0/-0	1062837363	305.0 +6.1/-0
1062837323	105.0 +2.1/-0	1062837364	310.0 +6.2/-0
1062837324	110.0 +2.2/-0	1062837365	315.0 +6.3/-0
1062837325	115.0 +2.3/-0	1062837366	320.0 +6.4/-0
1062837326	120.0 +2.4/-0	1062837367	325.0 +6.5/-0
1062837327	125.0 +2.5/-0		
1062837328	130.0 +2.6/-0		
1062837329	135.0 +2.7/-0		
1062837330	140.0 +2.8/-0		
1062837331	145.0 +2.9/-0		
1062837332	150.0 +3.0/-0		
1062837333	155.0 +3.1/-0		
1062837334	160.0 +3.2/-0		
1062837335	165.0 +3.3/-0		
1062837336	170.0 +3.4/-0		
1062837337	175.0 +3.5/-0		
1062837338	180.0 +3.6/-0		
1062837339	185.0 +3.7/-0		
1062837340	190.0 +3.8/-0		
1062837341	195.0 +3.9/-0		
1062837342	200.0 +4.0/-0		



- NOTES:
1. DIMENSIONS ARE IN in/[mm].
  2. CONNECTOR ENDCAPS ARE NOT SHOWN BUT INCLUDED.
  3. MAX. INSERTION LOSS PER CONNECTOR AT 850nm: 0.5dB. CABLE ATTENUATION 3.0 dB/km MAX. IS NOT UNINCLUDED. MAX. RETURN LOSS AT 850nm: -20dB.
  4. OPERATING TEMPERATURE: 0° TO +60°C.
  5. BOTH PRODUCT LABELS ARE PRINTED WITH MOLEX P/N AND SERIAL NUMBER.
  6. PRELIMINARY RELEASE - PRODUCT HAS NOT BEEN FULLY QUALIFIED.



SYMBOLS		THIS DRAWING CONTAINS INFORMATION THAT IS PROPRIETARY TO MOLEX ELECTRONIC TECHNOLOGIES, LLC AND SHOULD NOT BE USED WITHOUT WRITTEN PERMISSION	
▽ = 0	DIMENSION UNITS	SCALE	CURRENT REV DESC:
▽ = 0	HYBRID	1:1	
▽ = 0	GENERAL TOLERANCES (UNLESS SPECIFIED)		
▽ = 0	ANGULAR TOL ± °		EC NO: 178225
▽ = 0	4 PLACES ±		2018/06/19
▽ = 0	3 PLACES ±		DRWN: IGUMIN
▽ = 0	2 PLACES ±		2018/06/21
▽ = 0	1 PLACE ±		CHK'D: IGUMIN
▽ = 0	0 PLACES ±		2018/06/21
⊠ = 0	DRAFT WHERE APPLICABLE MUST REMAIN WITHIN DIMENSIONS	THIRD ANGLE PROJECTION	INITIAL REVISION:
■ = 0			DRWN: IGUMIN
▽ = 0			2018/01/03
			APPR: IGUMIN
			2018/05/18
DOCUMENT NUMBER		DOC TYPE	DOC PART
1062837301		PSD	000
REVISION		B	
MATERIAL NUMBER		CUSTOMER	SHEET NUMBER
SEE TABLE		VERIZON	1 OF 1