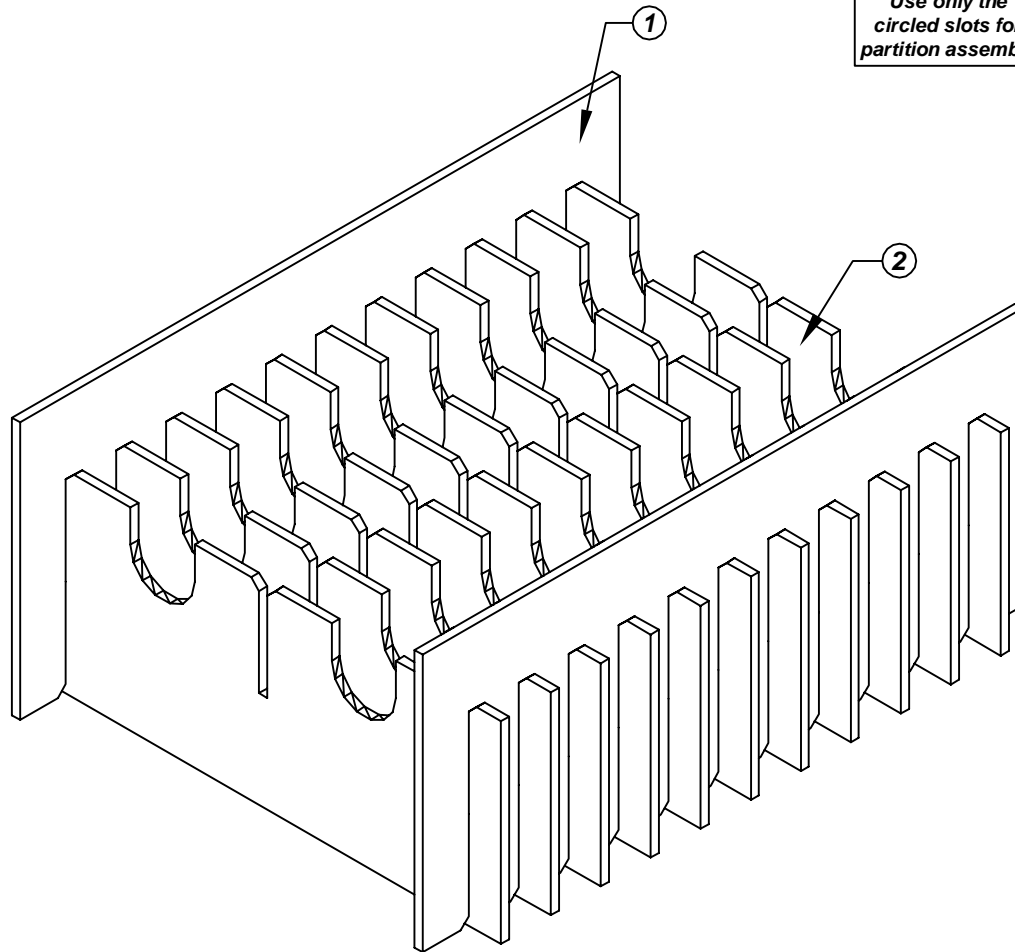
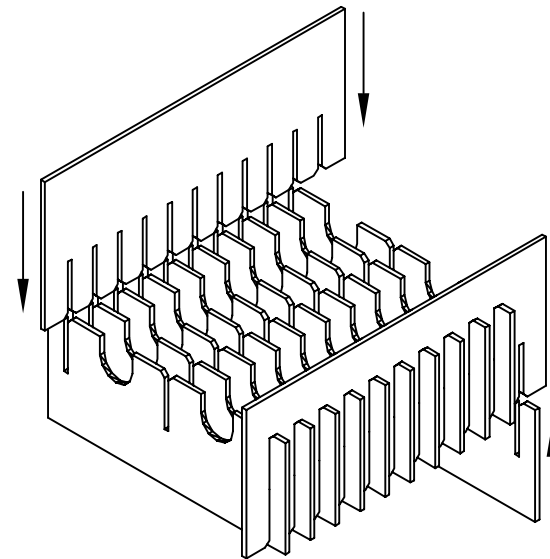
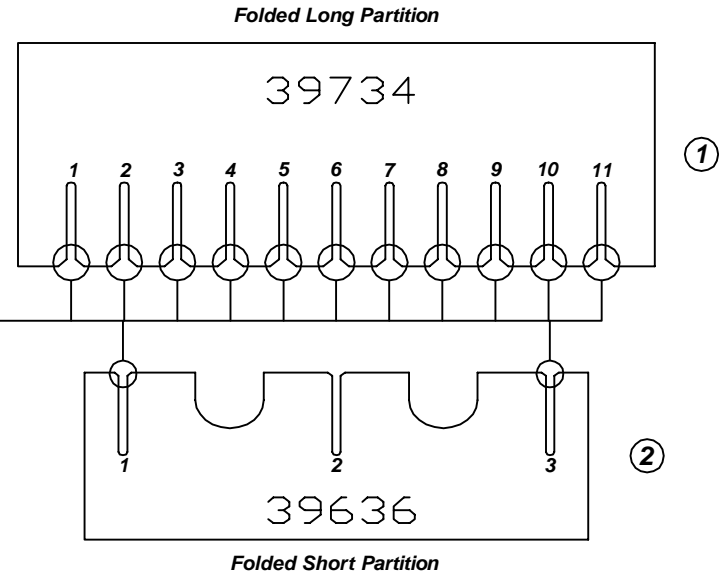


Assembly Instructions for - 37386



Use only the circled slots for partition assembly



Made in America

| | | | | |
|----------|-----------------|----------------------------------|---|------------|
| F/N ① | Part # 39734 | Dimensions: 16-1/4" x 18-5/8" | Description: 468-HLP-12 Long Partition | Qty: 2 |
| F/N ② | Part # 39636 | Dimensions: 12" x 14-3/4" | Description: 406/468-HSP Short Partition | Qty: 11 |

37386 - 12 Cell Inplant Handler Cell Size - 8" x 12-3/4" x 1 1/4"

Notes:
For use with the following storage container & lid:
37527 - Storage Container
37554 - Lid

PROTEKTIVE PAK
13520 MONTE VISTA AVENUE, CHINO, CA 91710
PHONE (909) 627-2578, FAX (909) 363-7331
ProtektivePak.com



DRAWING NUMBER
IPH-37386

DATE
Nov.
2007