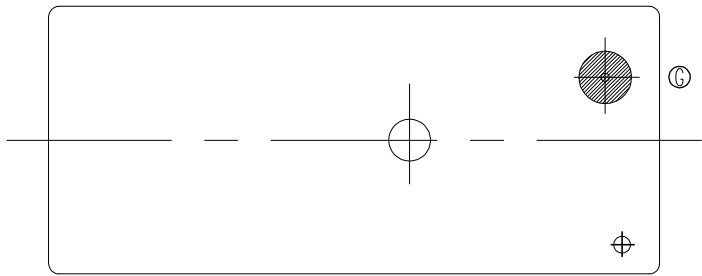


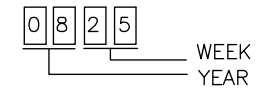
THIS DRAWING IS UNPUBLISHED. RELEASED FOR PUBLICATION
 © COPYRIGHT - By TE Connectivity ALL RIGHTS RESERVED.

LOC HB
 DIST -

REVISIONS						
P	LTR	DESCRIPTION	DATE	DWN	APVD	
F		1.UPDATE TE LOGO&BYE LOGO 2.ADD LINE IDENTIFICATION 3.TERMINALS TOLERANCE CLARIFICATION&VENT HOLE CHANGE	ECO-12-005726	06-APR-12	D.L	BH.Y
G		CHANGE THE VENT HOLE SHAPE FROM RECTANGLE TO CIRCLE ONE	ECO-13-015347	16-DEC-13	XL,Y	B,F



NOTES:
 1.LOT NO. SYSTEM AS FOLLOWING:

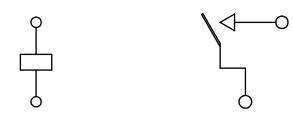


2.GENERAL TOLERANCE AS FOLLOWING:

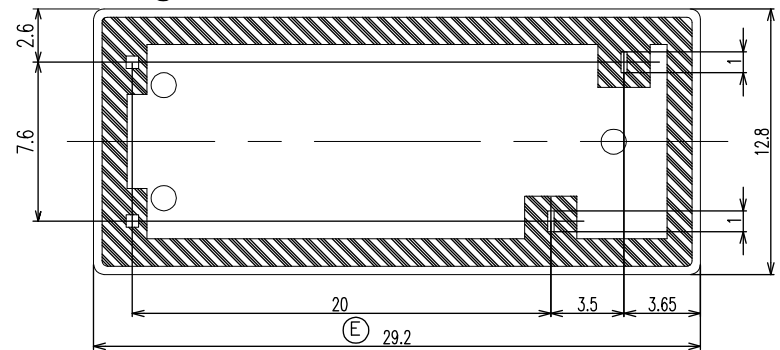
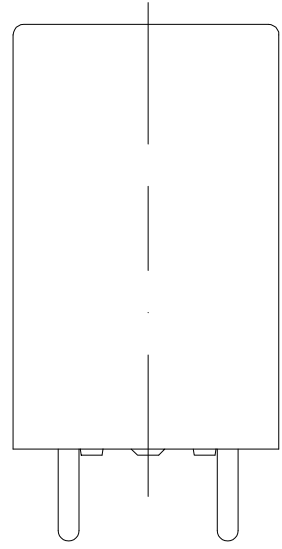
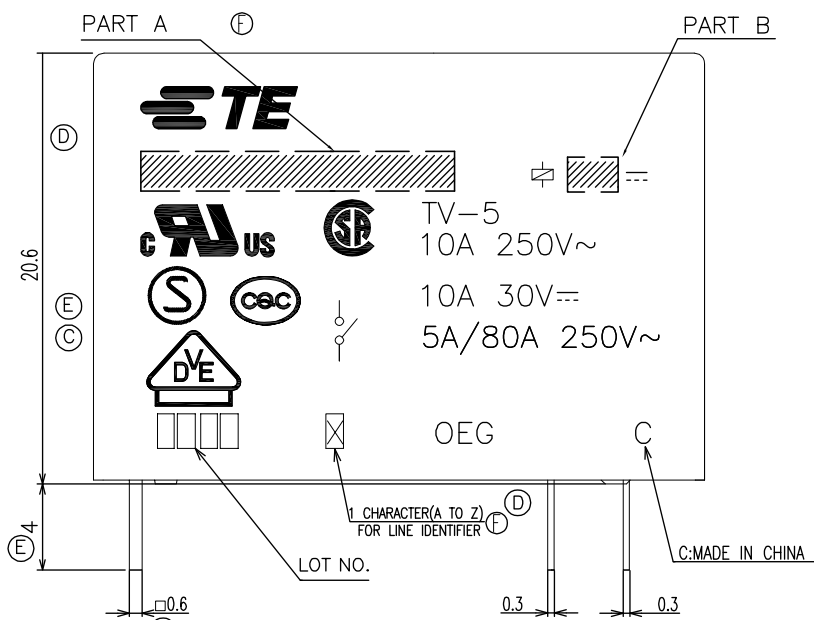
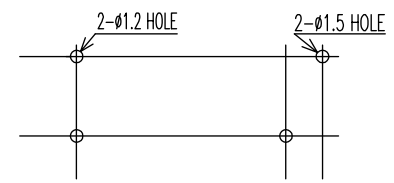
TOLERANCE	
0~0.99mm	± 0.1
1mm~2.99mm	± 0.2
3mm MIN.	± 0.3

3.TERMINAL DIMENSION IS NOT INCLUDING SOLDER TIP.
 4. -SH-: WASHABLE TYPE
 -SS-: PLASTIC SEALED TYPE
 5.FOR THE TIN-PLATING OF THE PINS:
 +0.1mm FOR WIDTH,THICKNESS AND DIAMETER.
 +0.5mm FOR LENGTH.

CONNECTION DIAGRAM
 (BOTTOM VIEW)



DRILLING DIAGRAM(2/1)
 (BOTTOM VIEW)



THIS DRAWING IS A CONTROLLED DOCUMENT.		DWN YANG.XIAO			
DIMENSIONS: mm		CHK ZHANG.XIAONING			
TOLERANCES UNLESS OTHERWISE SPECIFIED:		APVD C.H.HSU		NAME	
0 PLC ± -		PRODUCT SPEC		OMIT-1M SPEC,000 CUSTOMER DRAWING	
1 PLC ± -		APPLICATION SPEC		SIZE	
2 PLC ± -		WEIGHT		CAGE CODE	
3 PLC ± -		CUSTOMER DRAWING		DRAWING NO	
4 PLC ± -		SCALE 4:1		SHEET 1 of 2	
ANGLES ± -		REV G		RESTRICTED TO	
FINISH					

THIS DRAWING IS UNPUBLISHED. RELEASED FOR PUBLICATION
 © COPYRIGHT - By TE Connectivity ALL RIGHTS RESERVED.

LOC	DIST	REVISIONS			
P	LTR	DESCRIPTION	DATE	DWN	APVD
HB	-	SEE SHEET 1	-	-	-

4-1419123-3	OMIT-SH-124LM	24V	OMIT-SH-124LM	j
3-1419123-6	OMIT-SH-112DM	12V	OMIT-SH-112DM	i
3-1419123-7	OMIT-SH-112LM	12V	OMIT-SH-112LM	h
2-1419145-3	OMIT-SH-109LM	9V	OMIT-SH-109LM	g
5-1419123-6	OMIT-SS-148DM	48V	OMIT-SS-148DM	f
5-1419123-4	OMIT-SS-124DM	24V	OMIT-SS-124DM	e
5-1419123-5	OMIT-SS-124LM	24V	OMIT-SS-124LM	d
4-1419123-9	OMIT-SS-112LM	12V	OMIT-SS-112LM	c
4-1419123-6	OMIT-SS-109LM	9V	OMIT-SS-109LM	b
4-1419123-5	OMIT-SS-105LM	5V	OMIT-SS-105LM	a
TE PART NO	PART A	PART B	DESCRIPTION	No.

RELAY TYPE

		UV RESIN	UV SEAL	17
		EPOXY RESIN	SEAL	16
		—	TAPE	15
UL94 V-0		PBT	CASE	14
CLASS E		UEW	MAGNETIC WIRE	13
UL94 V-0		PET	BASE	12
UL94 V-0		PBT	BOBBIN	11
	SOLDER DIP	CP WIRE	COIL TERMINAL	10
UL94 V-0		PPS	CARD	9
		Ag ALLOY	MOVABLE CONTACT	8
		Ag ALLOY	STATIONARY CONTACT	7
		Cu ALLOY	HINGE SPRING	6
	SOLDER DIP	Cu ALLOY	STATIONARY TERMINAL	5
	SOLDER DIP	Cu ALLOY	MOVABLE SPRING	4
		STEEL	CORE	3
		STEEL	ARMATURE	2
		STEEL	YOKE	1
INCOMBUSTIBILITY	TREATMENT	MATERIAL	DESCRIPTION	ITEM

THIS DRAWING IS A CONTROLLED DOCUMENT.		DWN YANG.XIAO	TE TE Connectivity		
DIMENSIONS: mm		CHK ZHANG.XIAONING			
TOLERANCES UNLESS OTHERWISE SPECIFIED:		APVD C.H.HSU	NAME OMIT-1M SPEC,000 CUSTOMER DRAWING		
0 PLC ±-		PRODUCT SPEC	SIZE		
1 PLC ±-		APPLICATION SPEC	CAGE CODE	DRAWING NO	RESTRICTED TO
2 PLC ±-		WEIGHT	A3	00779	C=3-1419123-7
3 PLC ±-			SCALE 4:1 SHEET 2 of 2 REV G		
4 PLC ±-					
ANGLES ±-					
FINISH					
MATERIAL			CUSTOMER DRAWING		