

Inductive sensor

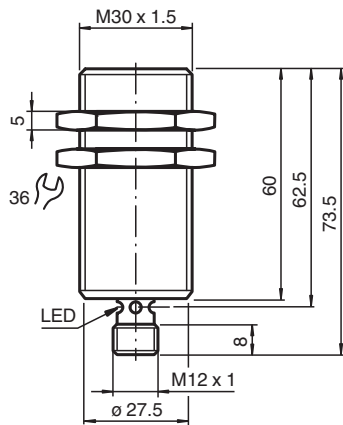
NEB22-30GM60-E2-V1



- 22 mm quasi flush
- Increased operating distance



Dimensions



Technical Data

| General specifications | | |
|----------------------------|-------|--------------------|
| Switching function | | Normally open (NO) |
| Output type | | PNP |
| Rated operating distance | s_n | 22 mm |
| Installation | | quasi flush |
| Output polarity | | DC |
| Assured operating distance | s_a | 0 ... 17.8 mm |
| Reduction factor r_{AI} | | 0.25 |
| Reduction factor r_{Cu} | | 0.22 |
| Reduction factor r_{304} | | 0.65 |
| Output type | | 3-wire |
| Nominal ratings | | |
| Installation conditions | | |
| A | | 6 mm |
| B | | 37 mm |
| C | | 66 mm |
| F | | 80 mm |

Release date: 2022-06-21 | Date of issue: 2022-06-21 | Filename: 023490_eng.pdf

Refer to "General Notes Relating to Pepperl+Fuchs Product Information".

Pepperl+Fuchs Group
www.pepperl-fuchs.com

USA: +1 330 486 0001
fa-info@us.pepperl-fuchs.com

Germany: +49 621 776 1111
fa-info@de.pepperl-fuchs.com

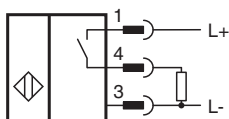
Singapore: +65 6779 9091
fa-info@sg.pepperl-fuchs.com

PEPPERL+FUCHS

Technical Data

| | | |
|---|-------|--|
| Operating voltage | U_B | 10 ... 30 V |
| Switching frequency | f | 0 ... 150 Hz |
| Hysteresis | H | ≤ 10 % |
| Reverse polarity protection | | reverse polarity protected |
| Short-circuit protection | | pulsing |
| Voltage drop | U_d | ≤ 5 V |
| Operating current | I_L | 0 ... 200 mA |
| Off-state current | I_r | ≤ 0.1 mA |
| No-load supply current | I_0 | ≤ 10 mA |
| Switching state indicator | | LED, yellow |
| Functional safety related parameters | | |
| MTTF _d | | 213 a |
| Mission Time (T _M) | | 20 a |
| Diagnostic Coverage (DC) | | 0 % |
| Compliance with standards and directives | | |
| Standard conformity | | |
| Standards | | EN 60947-5-2:2007 IEC 60947-5-2:2007 Non-standard connector assignment |
| Approvals and certificates | | |
| UL approval | | cULus Listed, General Purpose |
| CSA approval | | cCSAus Listed, General Purpose |
| CCC approval | | CCC approval / marking not required for products rated ≤36 V |
| Ambient conditions | | |
| Ambient temperature | | -25 ... 70 °C (-13 ... 158 °F) |
| Mechanical specifications | | |
| Connection type | | Connector plug M12 x 1 , 4-pin |
| Housing material | | chromium plated brass |
| Sensing face | | PBT |
| Degree of protection | | IP67 |

Connection



Connection Assignment

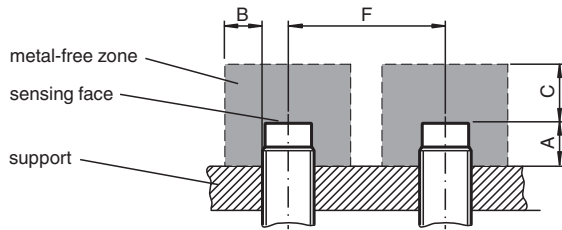


Connection Assignment


Wire colors in accordance with EN 60947-5-2

| | | |
|---|----|---------|
| 1 | BN | (brown) |
| 2 | WH | (white) |
| 3 | BU | (blue) |
| 4 | BK | (black) |

Installation



Accessories

| | | |
|---|--------------------|---|
|  | BF 30 | Mounting flange, 30 mm |
|  | V1-G-2M-PUR | Female cordset single-ended M12 straight A-coded, 4-pin, PUR cable grey |
|  | V1-W-2M-PUR | Female cordset single-ended M12 angled A-coded, 4-pin, PUR cable grey |

Release date: 2022-06-21 Date of issue: 2022-06-21 Filename: 023490_eng.pdf

Refer to "General Notes Relating to Pepperl+Fuchs Product Information".