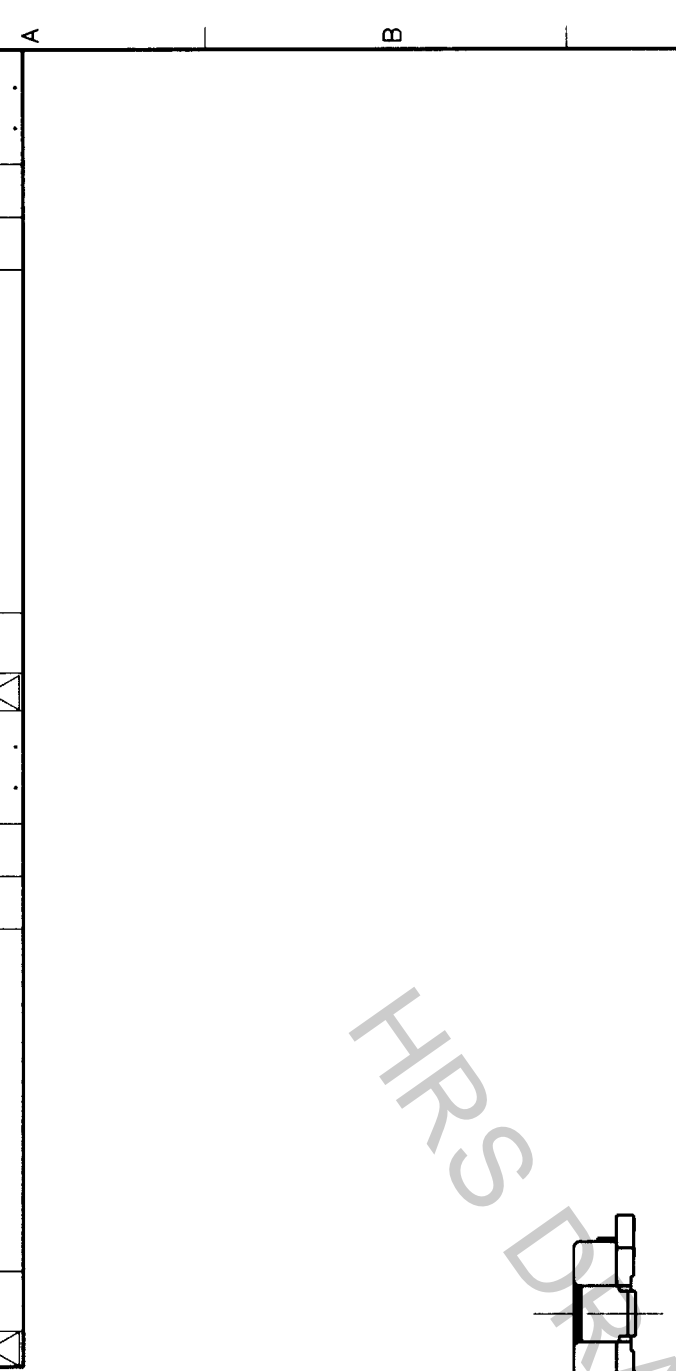
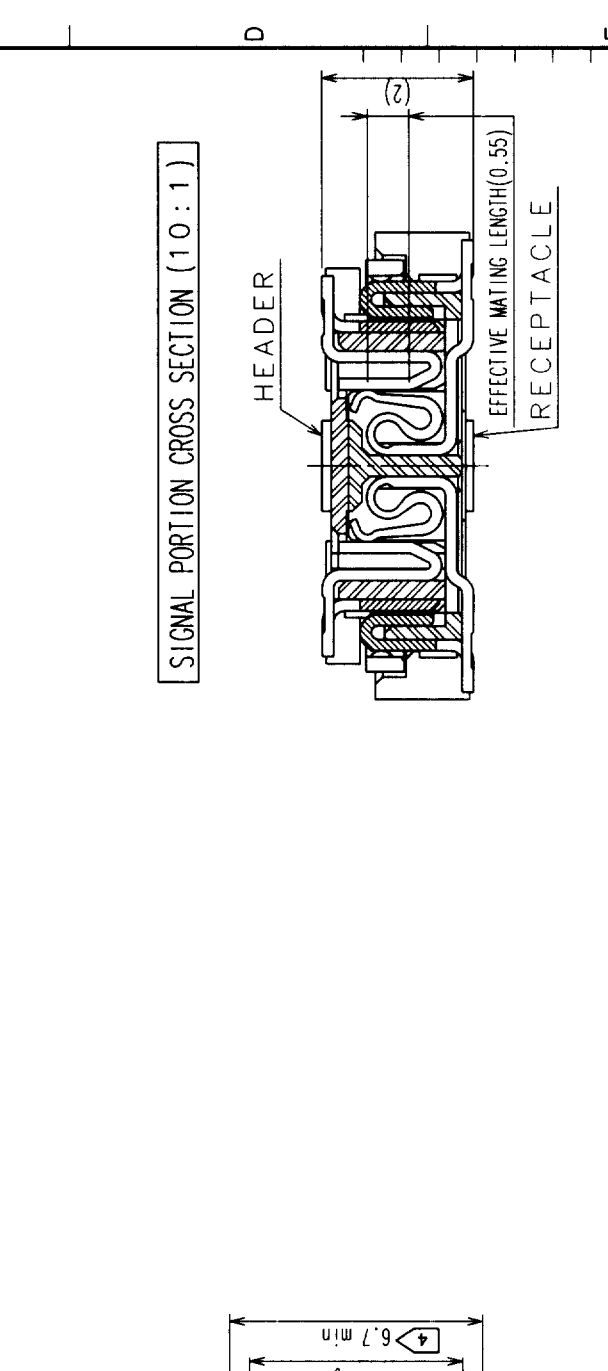


6	7	8
COUNT DESCRIPTION OF REVISIONS	BY CHKD	DATE



RECOMMENDED LAND PATTERN DIMENSION OF PCB



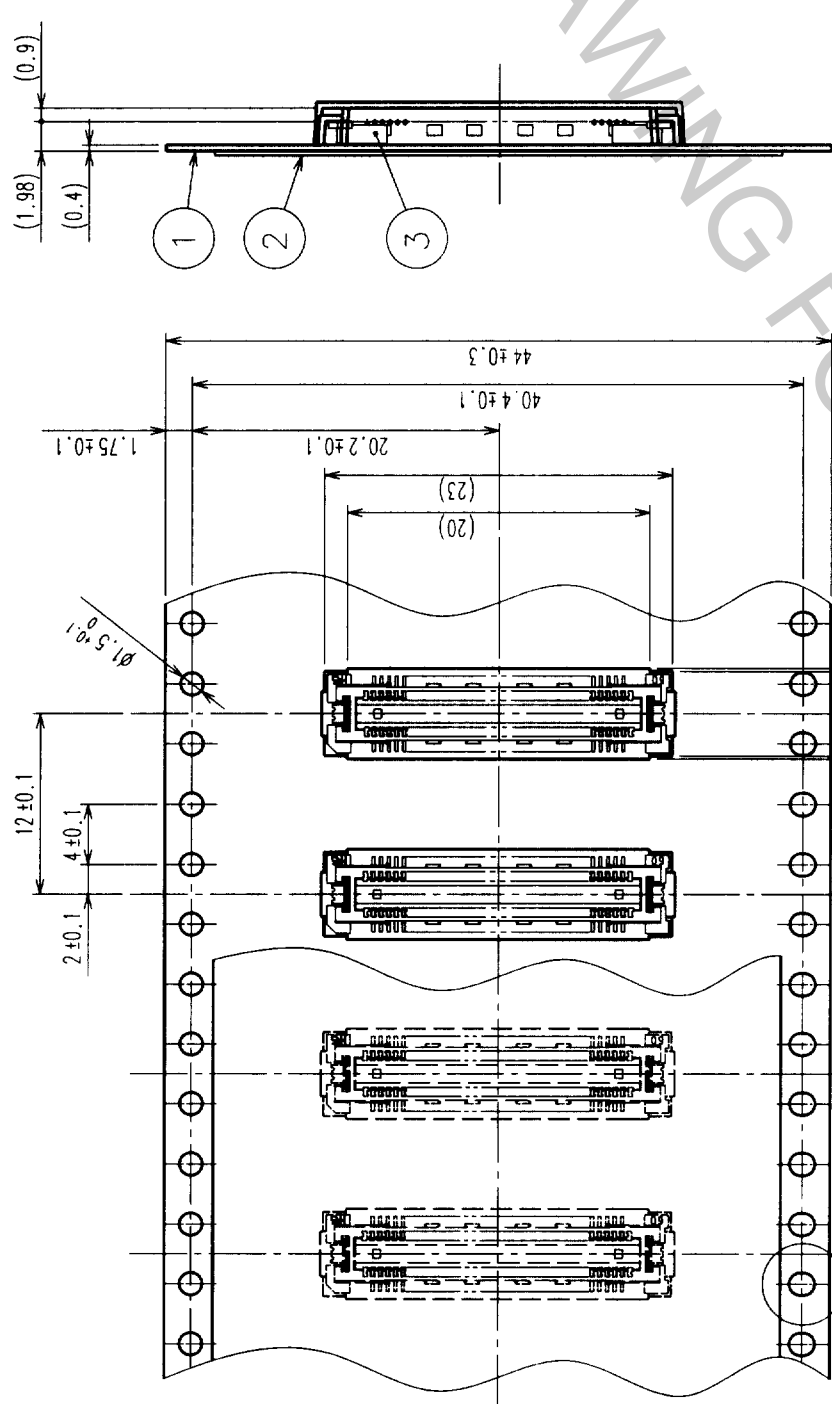
- NOTES
- 1 SMT LEAD-COPLANARITY: 0.1 MAX.
  - 2 THIS PRODUCT HAS NO POLARITY TO PATTERN FOR MOUNTING.  
 MAKE SURE WIDTH OF PATTERN IS WITHIN THAT OF LAND ,OR LEAD MAY TOUCH PATTERN. (THIS APPLIES TO HATCHED AREA.)  
 DO NOT MOUNT OTHER DEVICES ONTO [ ] AREA ,OR MATING PAIR CANNOT BE MATED.  
  - 3 TO BE EMBOSSED CARRIER TAPED AS SPECIFIED IN SHEET 2.

2	COPPER ALLOY	CONTACT AREA: GOLD (0.1µm) OVER NICKEL
1	LCP	LEAD: GOLD FLASH OVER NICKEL
NO.	MATERIAL	FINISH, REMARKS
3	PHOSPHOR BRONZE	TIN PLATED
CODE NO. (OLD)	CL	
DRAWN	DESIGNED	CHECKED
APPROVED	APPROVED	RELEASED
DRAWING NO.	EDC3-152104-01	PART NO.
SCALE	5 : 1	FX11LB-68P-SV (21)
UNITS	mm	CODE NO.
		CL573-0052-5-21

TO	
PCK	

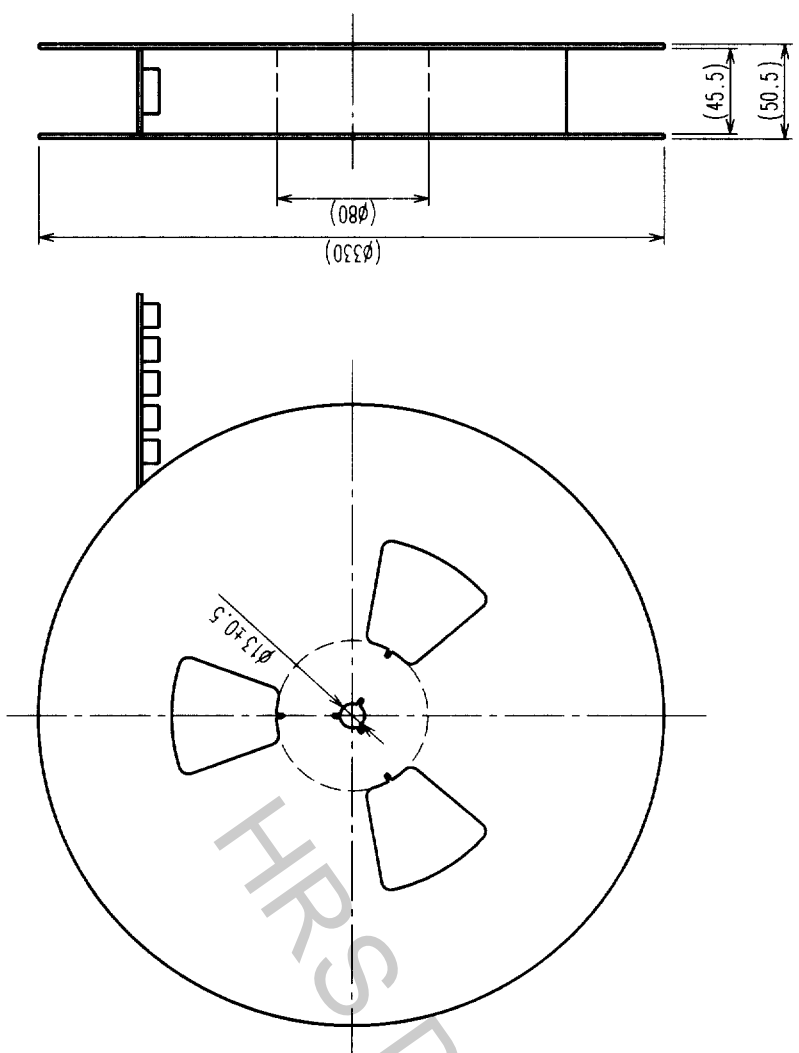
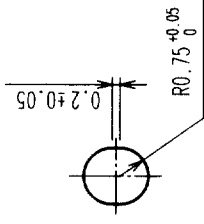
COUNT	DESCRIPTION OF REVISIONS	BY	CHKD	DATE	COUNT	DESCRIPTION OF REVISIONS	BY	CHKD	DATE
△					△				
△					△				
△					△				

REELED DIMENSION (Free)



THE DIRECTION OF PULLING OUT →

A (5:1)



- NOTES 1 REEL: 1000 CONNECTORS.
- 2 MINIMUM 10 COMPARTMENTS FROM BOTH REEL ENDS REMAIN EMPTY.
- 3 THIS PRODUCT HAS NO POLARITY TO TAPE AND REEL PACKAGING.

2		TOP COVER TAPE		3		3		3		3		3	
PET		EMBOSSED CARRIER TAPE		(CONNECTOR)		NO.		MATERIAL		FINISH, REMARKS		FINISH, REMARKS	
1		PS		NO.		NO.		DESIGNED		CHECKED		APPROVED	
NO.		MATERIAL		FINISH, REMARKS		DRAWN		DESIGNED		CHECKED		APPROVED	
CODE NO. (OLD)		CL		DRAWING FOR PACKING		DRAWN		DESIGNED		CHECKED		APPROVED	
						Mitsuharu M. Sakai		Mitsuharu M. Sakai		Mitsuharu M. Sakai		Mitsuharu M. Sakai	
						99.10.26		99.10.26		99.10.26		99.10.26	
DRAWING NO.		EDC3-152104-01		PART NO.		FX11LB-68P-SV(21)							
SCALE		2 : 1		CODE NO.		CL573-0052-5-21							
UNITS		mm		HIROSE ELECTRIC CO., LTD									

TO	
PCK	