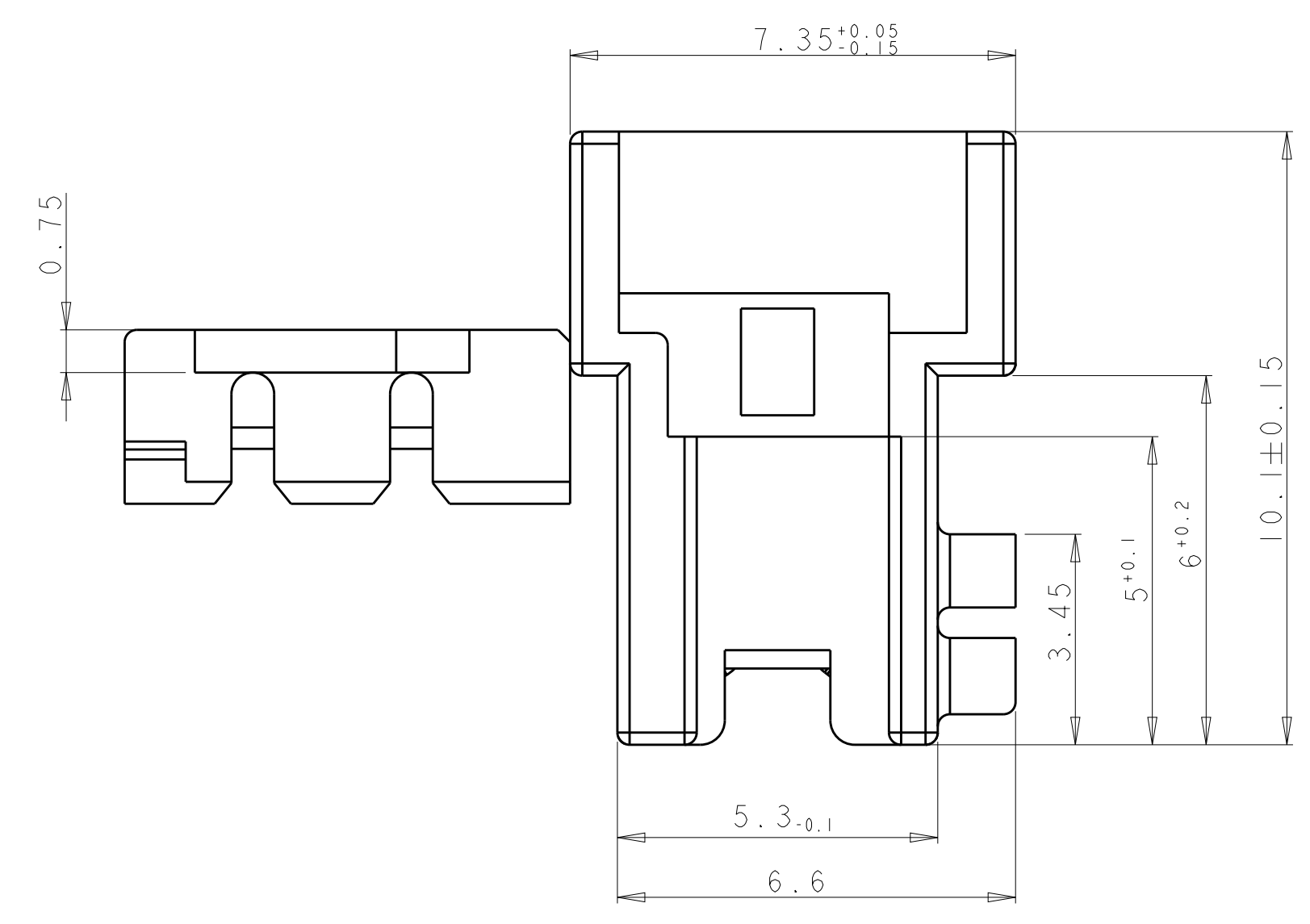
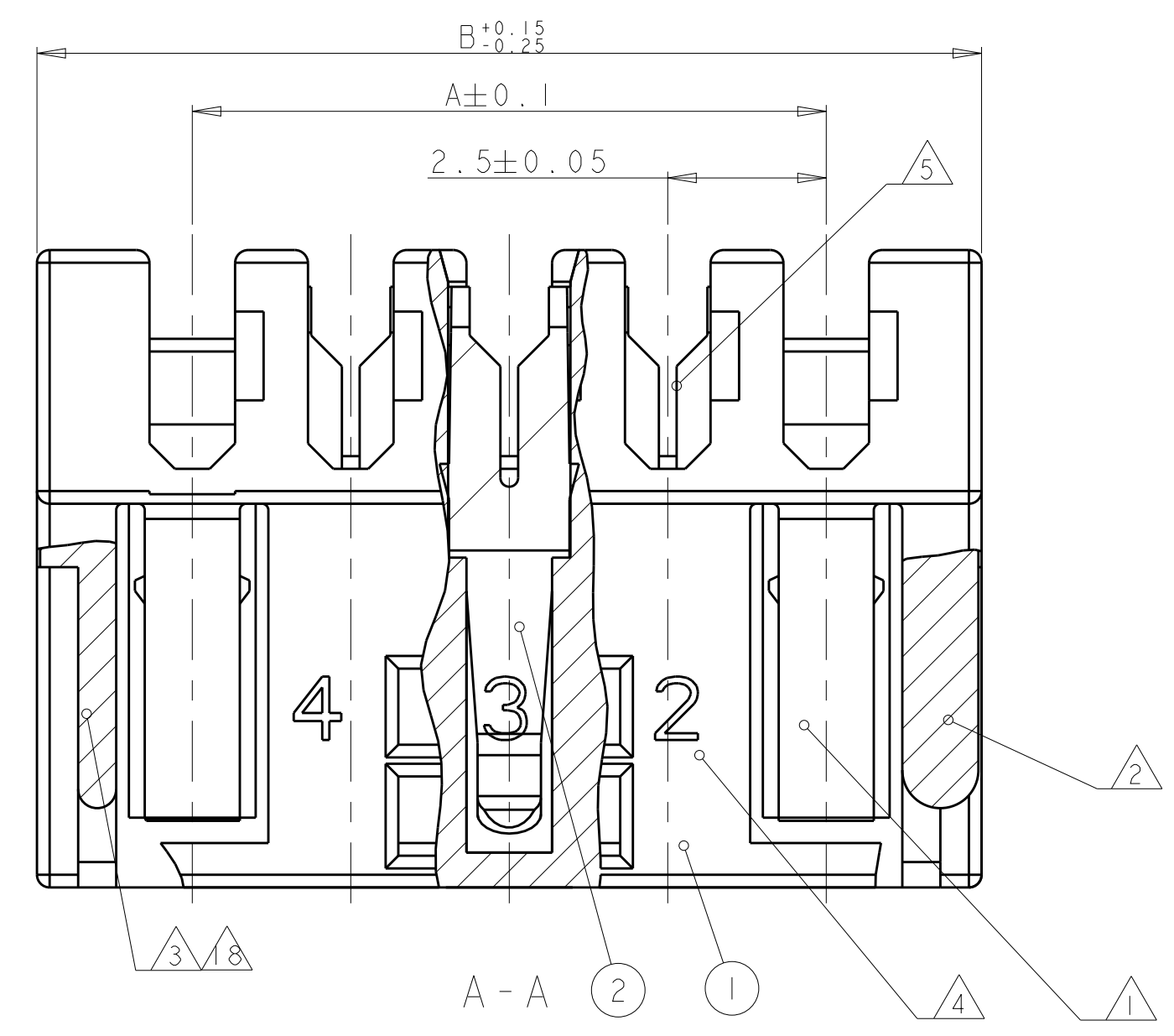
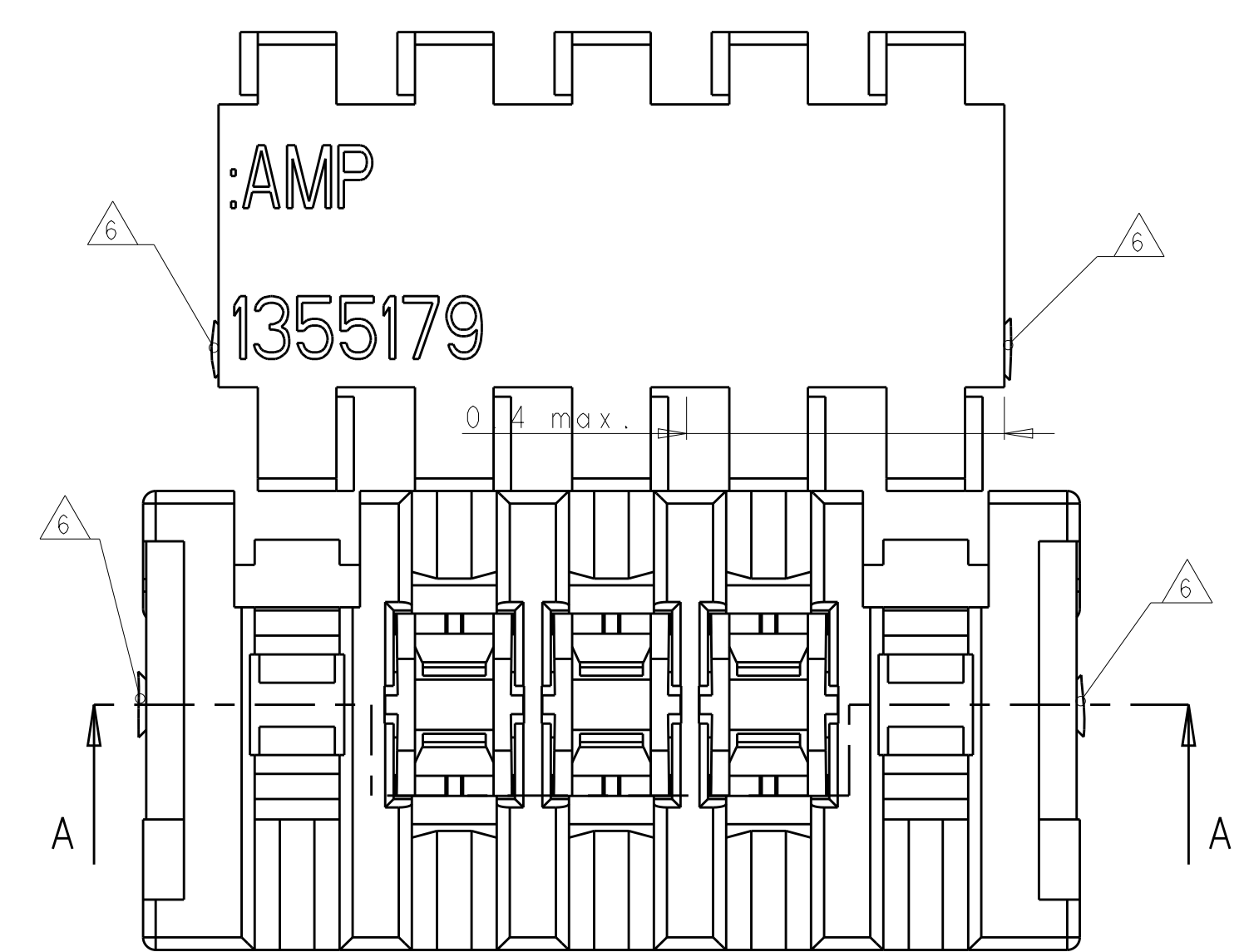


REVISIONS				
P.	LTH	DESCRIPTION	DATE	DWN APVD
C4		REVISED PER ECO009-027197	02FEB2010	KK HMR
C5		ECR-16-005727	20APR2016	KD RR
C6		ECR-16-017578	15DEC2016	KD RR



- 8 ONLY FOR 3-1355181-2, REMOVED THE POLARIZATION RIB ON LAST CAVITY
- 7 PRELIMINARY - NOT RELEASED FOR PRODUCTION
- 6 OBSOLETE PARTS: OBSOLETE CIS STREAMLINING PER D.RENAUD/D.SINISI
- 5 DIMENSION OF THE PADS ON BOTH SIDES OF THE SLOT (NOTE 13), MIRRORED  
Leiterbahnbemassung beidseitig vom Schlitz (Note 13), spiegelbildlich
- 14 DIMENSION IN BRACKET ONLY USED WITH AMP DUOPLUG 2.5 mm FEMALE CONNECTOR.  
Masse in Klammer nur geeignet fuer AMP DUOPLUG 2.5 mm Federleisten.
- 3 SLOT FOR ADDITIONAL KEYING RIB  
Schlitz fuer zusaetzliche Kodierrippe
- 2 ADDITIONAL KEYING RIB BETWEEN CAVITY NO.  
Zusaetzliche Kodierrippe zwischen Kammer Nr.
- 1 REDUCTION OF PAD WIDTH OF ALL PADS AS SHOWN IS POSSIBLE.  
Verjuengung aller Leiterbahnen wie dargestellt moeglich.
- 0 INCLUSIVE COPPER CLADDING:  
Inklusive Kupferkaschierung:
- 9 PCB PREFERABLY CHAMFERED.  
Leiterplatte vorzugsweise angefast.
- 8 SLOT FOR KEYING RIB.  
Schlitz fuer Kodierrippe.
- 7 SLOT FOR POLARIZATION RIB.  
Schlitz fuer Polarisierungsrippe.
- 6 CUTTING AREA FROM PRODUCING PROCESS.  
Schnittbereich durch Herstellungsprozess.
- 5 SLOT ACCEPT STRANDED WIRE 7x0.25mm=0.35mm².  
SEE APPLICATION SPECIFICATION 114-18049.  
Schlitz geeignet fuer Leitungen 7x0.25mm=0.35mm².  
Siehe Verarbeitungsanweisung 114-18049.
- 4 CAVITY NO.  
Kammer Nr.
- 3 POLARIZATION RIB  
Polarisierungsrippe
- 2 KEYING RIB  
Kodierrippe
- 1 LOCKING LATCH BEFORE FIRST AND AFTER LAST CAVITY. BY TWO POSITION CONNECTOR AT CAVITY NO. 2.  
Rasthaken vor erster und nach letzter Kammer. Bei dem 2 poligen Stecker bei Kammer Nr. 2.

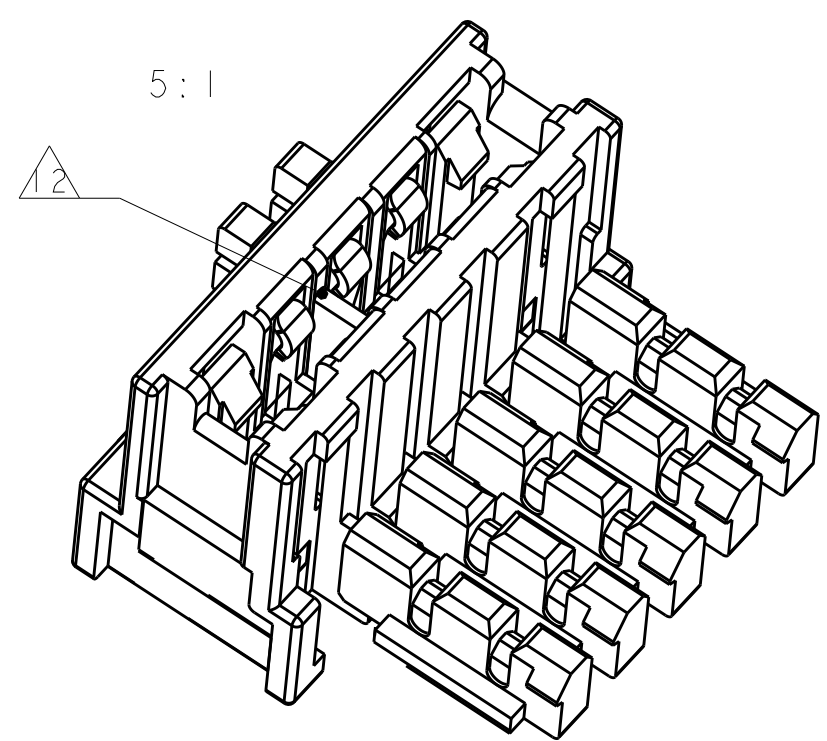
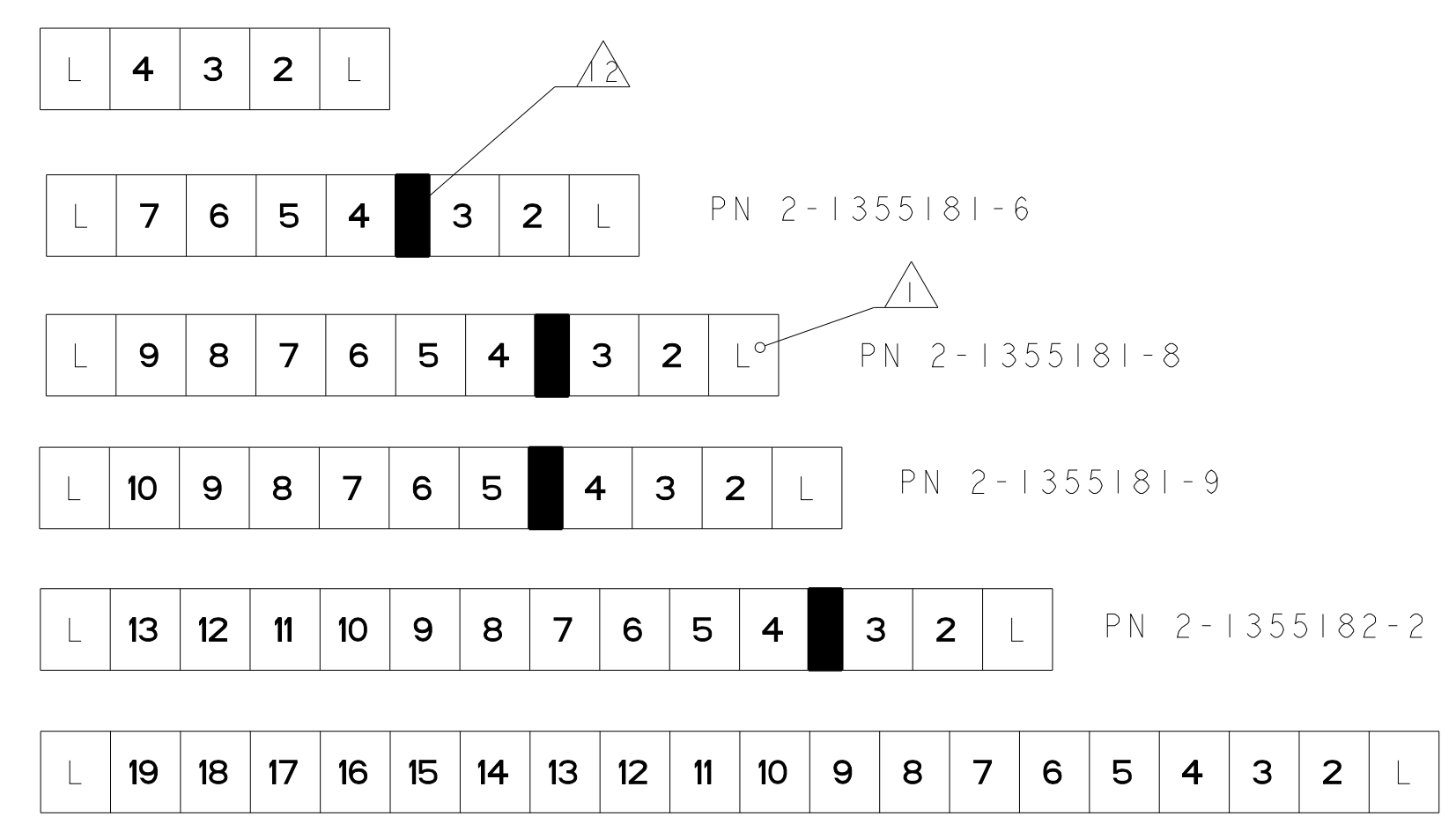


**LOCKING AND KEYING PLAN**  
Rasthaken und Kodierschema

SPECIAL VERSION 2 POSN.  
Sondervariante 2 pol.

PN 1-355181-2

Variante  
3 pol. - 18 pol.



	POS.	DIM A	DIM B	KEYING	PN
	Polzahl	Mass A	Mass B	Kodierung	Bestell-Nr.
OBSOLETE	18	47.5	52.4	-	<del>1-1355182-8</del>
OBSOLETE	17	45	49.9	-	<del>1-1355182-7</del>
	16	42.5	47.4	-	1-1355182-6
OBSOLETE	15	40	44.9	-	<del>1-1355182-5</del>
	14	37.5	42.4	-	1-1355182-4
OBSOLETE	13	35	39.9	-	<del>1-1355182-3</del>
	12	32.5	37.4	3+4	2-1355182-2
				-	1-1355182-2
OBSOLETE	11	30	34.9	-	<del>1-1355182-1</del>
	10	27.5	32.4	-	1-1355181-0
OBSOLETE	9	25	29.9	4+5	<del>2-1355181-9</del>
				-	1-1355181-9
	8	22.5	27.4	3+4	2-1355181-8
				-	1-1355181-8
	7	20	24.9	-	1-1355181-7
	6	17.5	22.4	3+4	2-1355181-6
				-	1-1355181-6
	5	15	19.9	-	1-1355181-5
	4	12.5	17.4	-	1-1355181-4
	3	10	14.9	-	1-1355181-3
	2	5	9.9	-	<del>3-1355181-2</del>
				-	1-1355181-2

SEE TABLE Siehe Tabelle	2	CONTACT/Kontakt	CuSn	TINNED/vorverzinnt
PN Bestell-Nr.	1	HOUSING/Federleistegehäuse	PBT	NATUR
				FINISH/Oberflaeche COLOR/Farbe

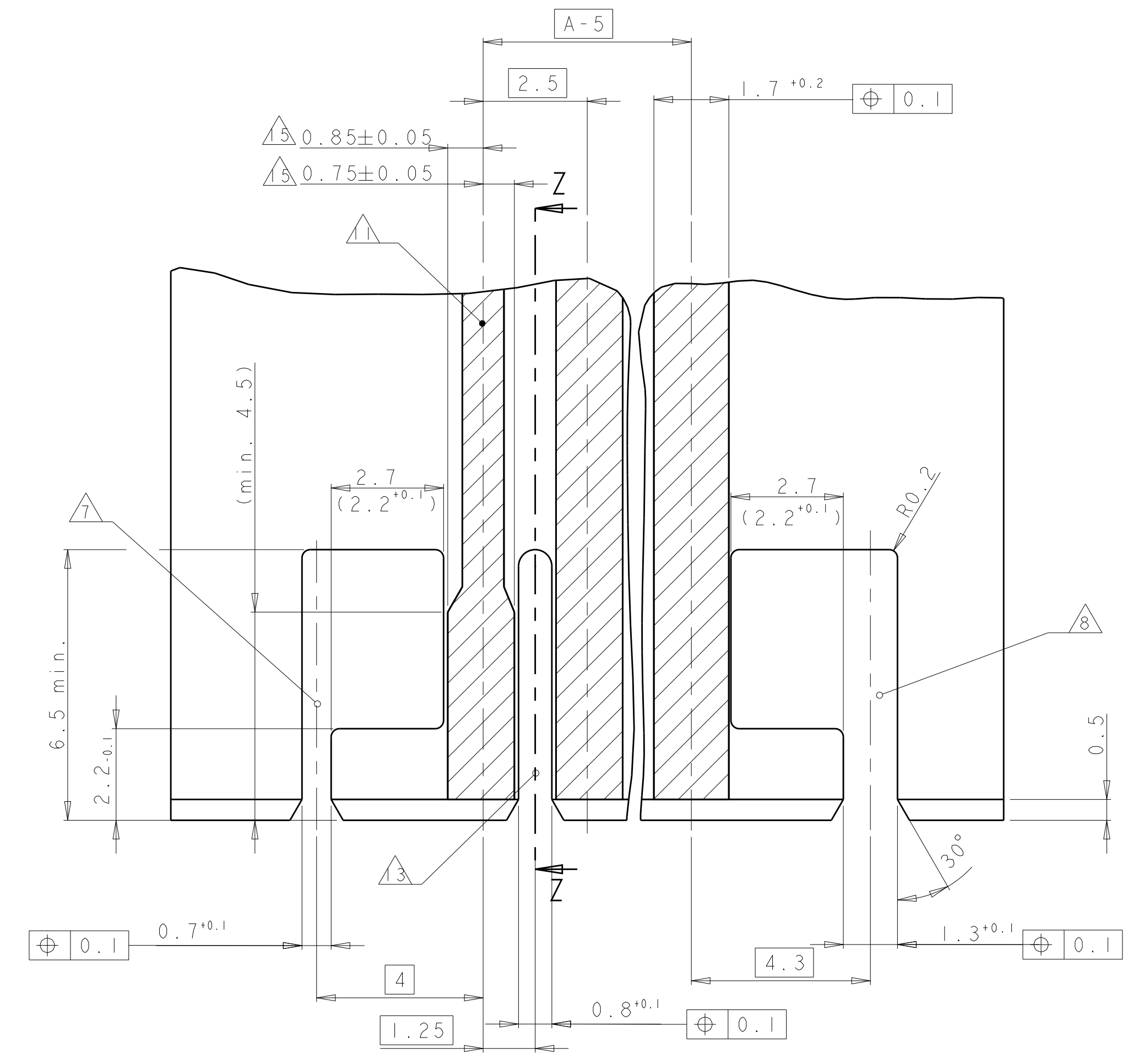
DIMENSIONS: mm		TOLERANCES UNLESS OTHERWISE SPECIFIED:	
0 PLC	±0.2	1 PLC	±0.2
2 PLC	±0.2	3 PLC	±0.2
4 PLC	±0.2	ANGLES	±0.2

THIS DRAWING IS A CONTROLLED DOCUMENT.	DWN Reber	16MRZ99
	CHK Schnaubelt	06JUL99
	APVD	

PRODUCT SPEC	NAME	AMP DUOPLUG 2.5 TM WITH PCB LOCKING DEVICE DGB 11
APPLICATION SPEC	SIZE	CAGE CODE DRAWING NO
	114-18049-1	A100779C=1355181
WEIGHT	CUSTOMER DRAWING	SCALE 10:1 SHEET 1 OF 2 REV C6

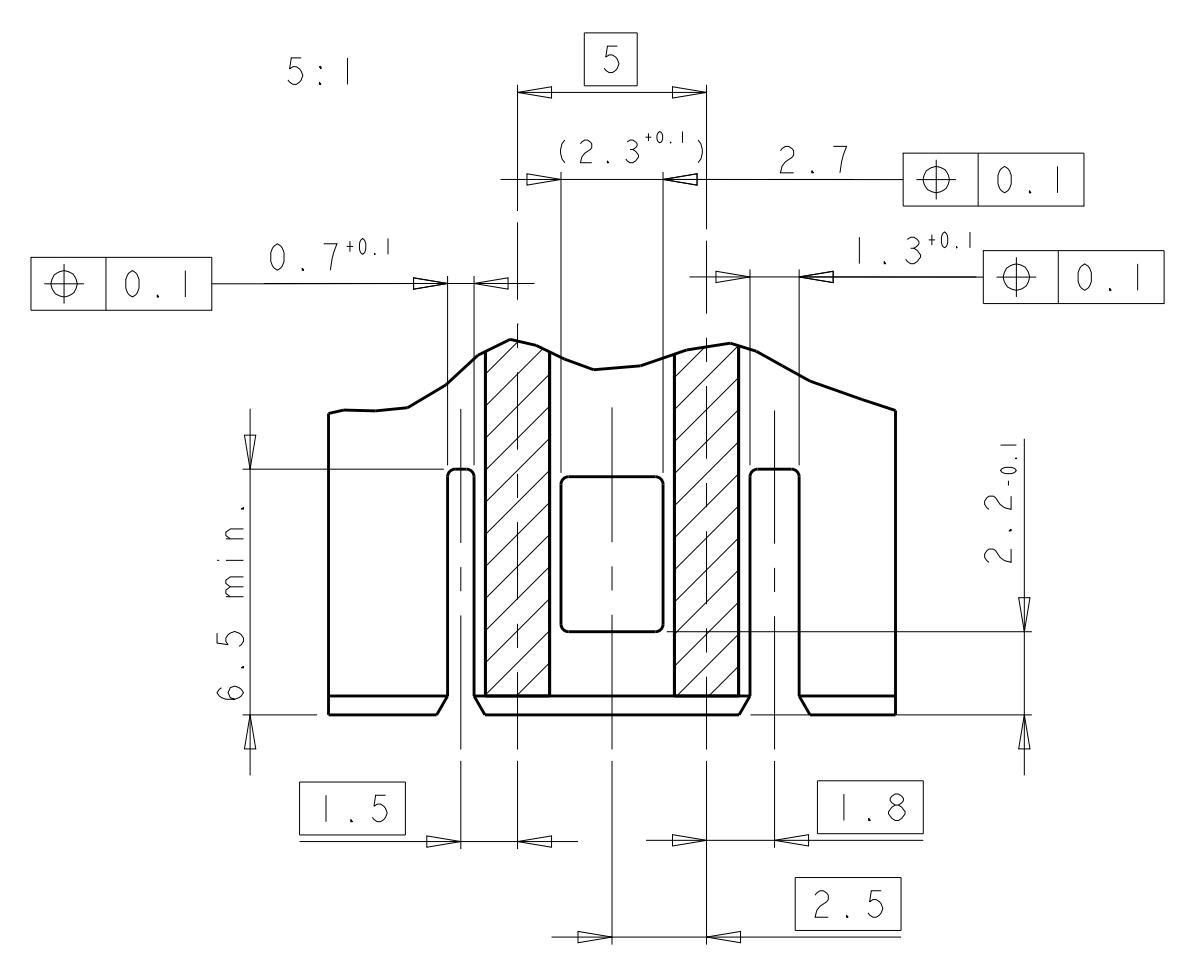
REVISIONS				
P.	LTN.	DESCRIPTION	DATE	APVD.
-	-	SEE SHEET 1	-	-

PCB LAYOUT  
 Leiterplattenanschluss

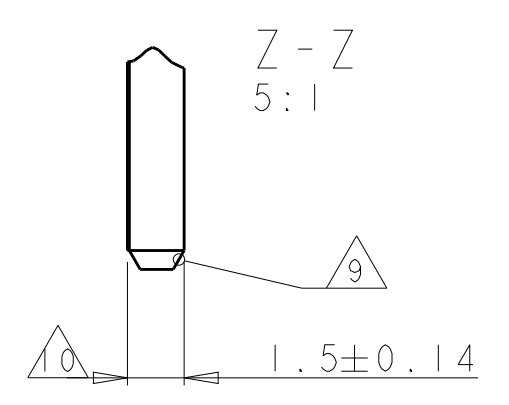
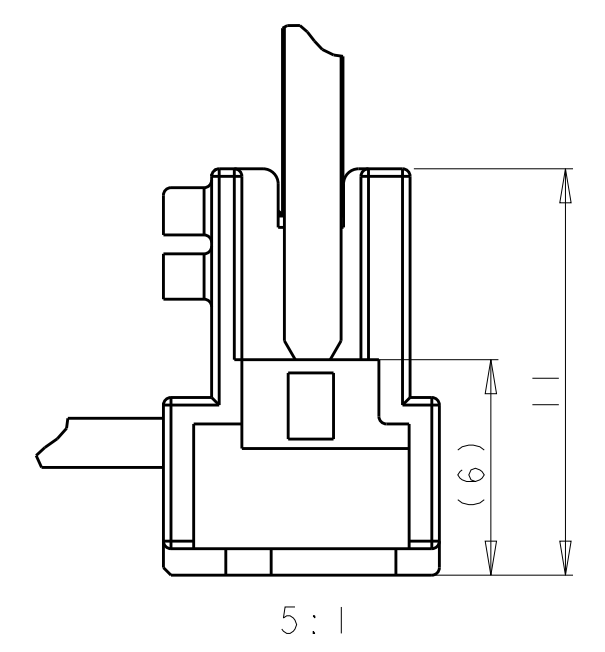
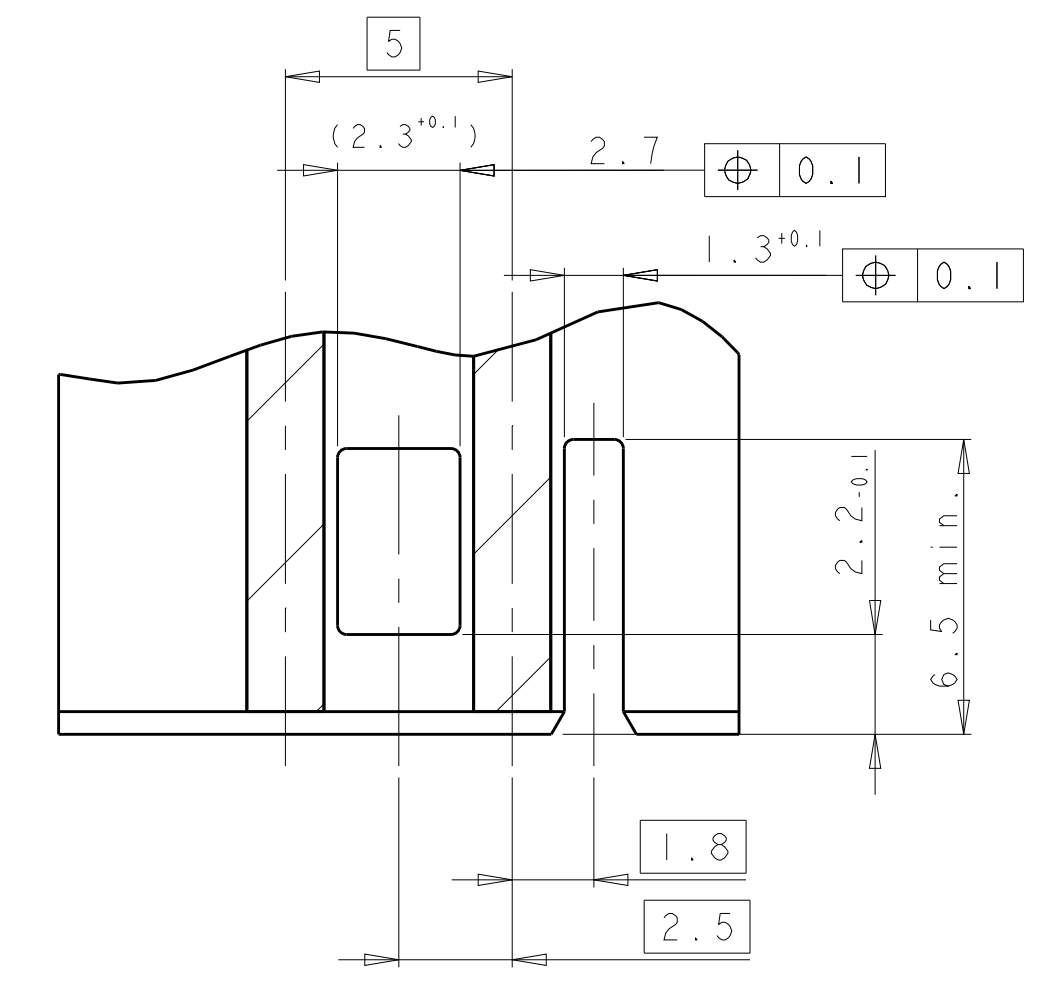


TOLERANCES UNLESS OTHERWISE SPEC. ±0.1 mm  
 Freimasstoleranz ±0.1 mm

SPECIAL VERSION 2 POSN.  
 Sondervariante 2 pol.



3-1355181-2



THIS DRAWING IS A CONTROLLED DOCUMENT.		DWN Weber CHK Schnaubelt	16MRZ99 06JUL99	TE Connectivity
DIMENSIONS: mm		TOLERANCES UNLESS OTHERWISE SPECIFIED:		
		0 PLC ±0.2	1 PLC ±0.2	PRODUCT SPEC
		2 PLC ±0.2	3 PLC ±0.2	APPLICATION SPEC
		4 PLC ±0.2	ANGLES ±0.2	FINISH ±0.2
MATERIAL SEE TABLE	FINISH SEE TABLE	CUSTOMER DRAWING		NAME AMP DUOPLUG 2.5 WITH PCB LOCKING DEVICE DGB 11
		SIZE A100779	CAGE CODE C=1355181	RESTRICTED TO
		SCALE 10:1	SHEET 2 OF 2	REV C6