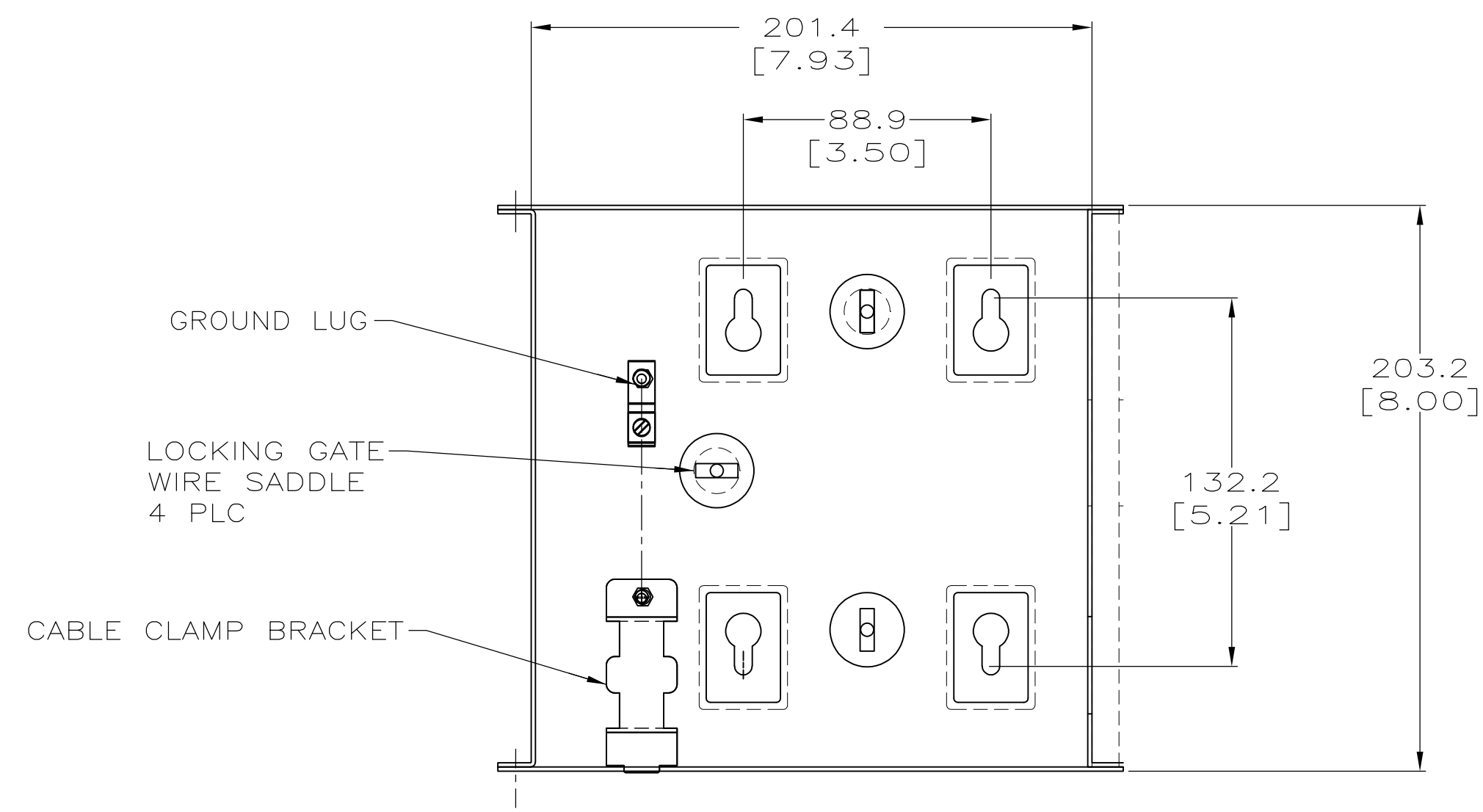
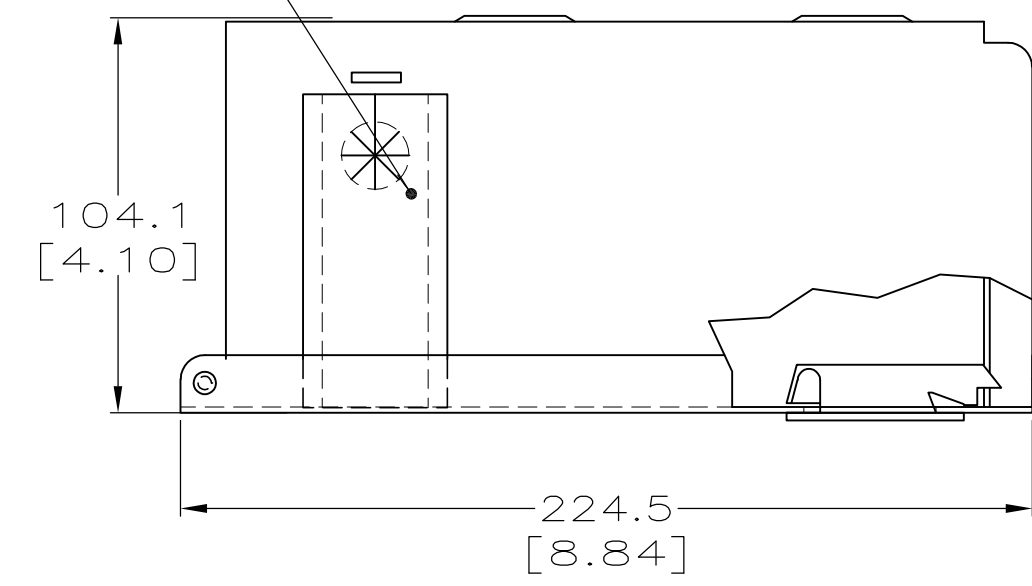


LOC	DIST	REVISIONS			
P	LTR	DESCRIPTION	DATE	DWN	APVD
CE	16	C	ECO-13-003340	26FEB2013	JM TE

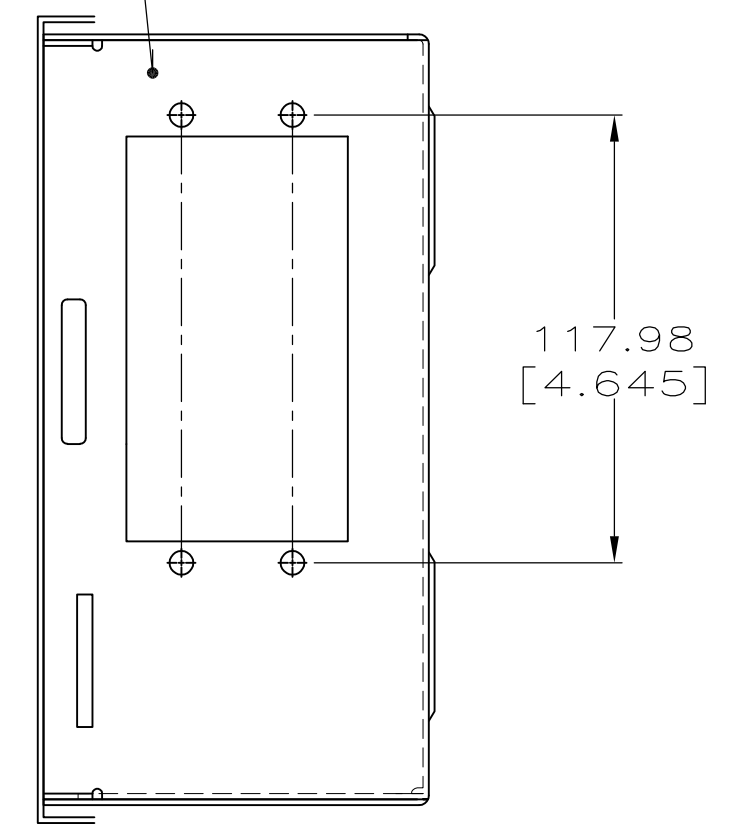
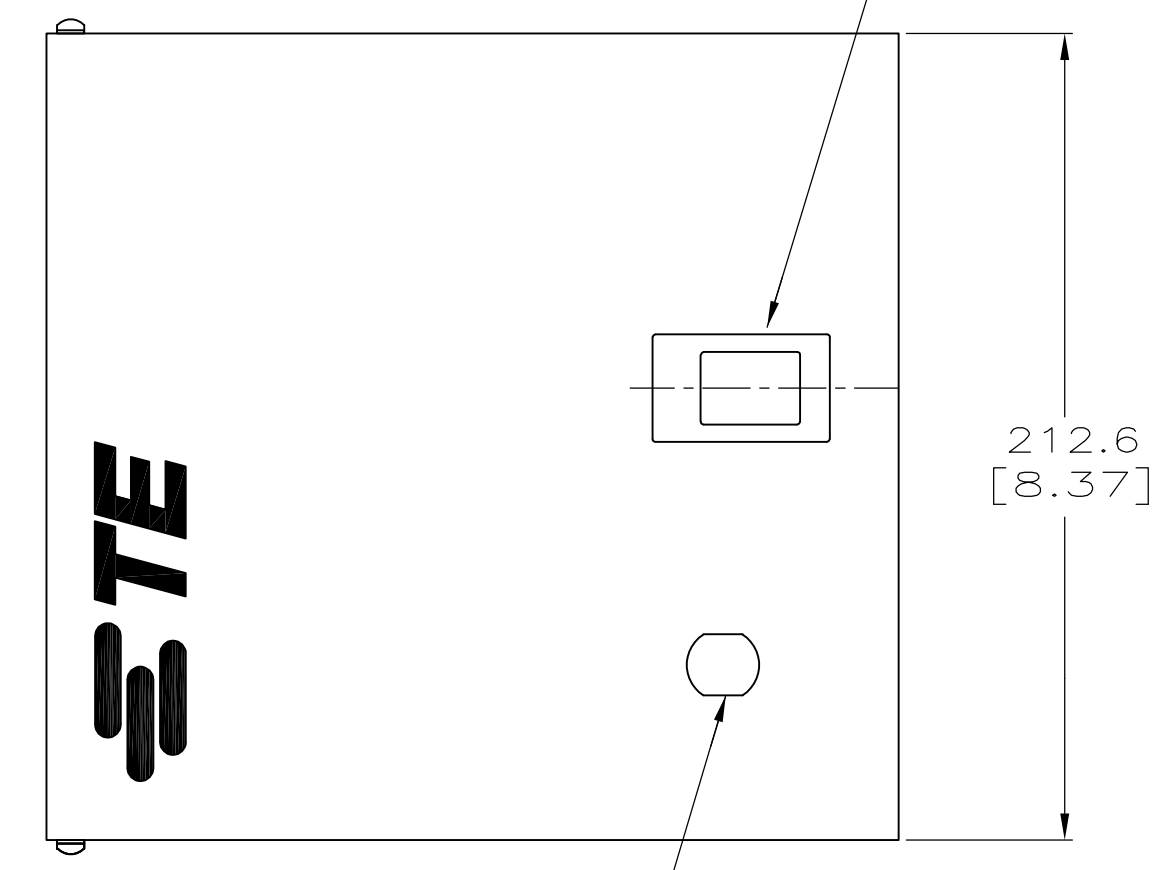
GROMMET  
2 PLC



DOORS NOT SHOWN IN THIS VIEW

LATCH

PANEL WILL ACCEPT SNAP-IN ADAPTER PLATES ONLY



KNOCKOUT FOR OPTIONAL KEY LOCK P/N 559501-2

- THE FOLLOWING LABELS ARE BAGGED AND PLACED INSIDE THE ENCLOSURE
  - 2 DANGER LABELS
  - 2 12-LINE "FIBER PATCH PORTS" LABELS
- FOUR SCREWS ARE PROVIDED FOR MOUNTING ENCLOSURE

BLACK ENAMEL PAINT	1278323-2
LT ALMOND ENAMEL PAINT	1278323-1
FINISH	PART NO

THIS DRAWING IS A CONTROLLED DOCUMENT.		DWN	J W DAVIS	9-1-98
DIMENSIONS: mm [in]		CHK	M WOOD	9-1-98
TOLERANCES UNLESS OTHERWISE SPECIFIED:		APVD	S BUCHTER	9-1-98
0 PLC	±-	PRODUCT SPEC		
1 PLC	±-	APPLICATION SPEC		
2 PLC	±1.0[.04]	WEIGHT		
3 PLC	±-	CUSTOMER DRAWING		
4 PLC	±-	SCALE 1:2 SHEET 1 OF 1 REV C		
ANGLES	±-	SIZE A2 CAGE CODE 00779 DRAWING NO 1278323		
FINISH	-	AMP Incorporated Harrisburg, PA 17105-3608		
MATERIAL	STEEL	ENCLOSURE, WALL MOUNT SINGLE DOOR, 12 PORT		