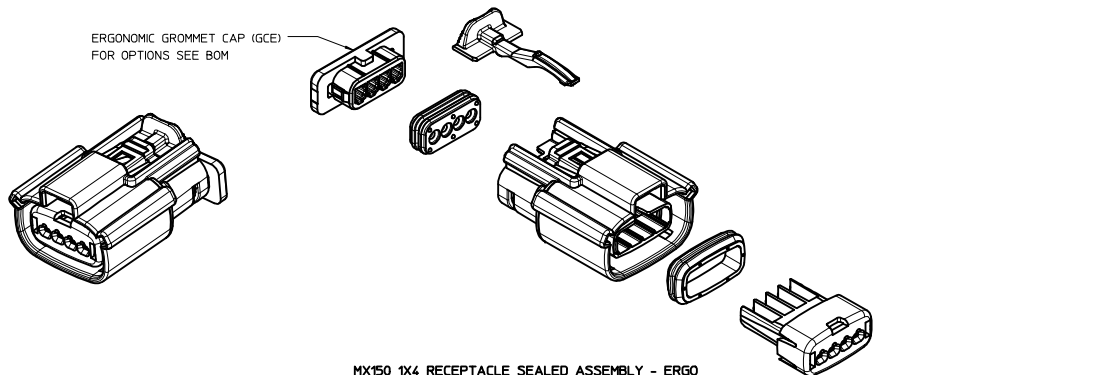
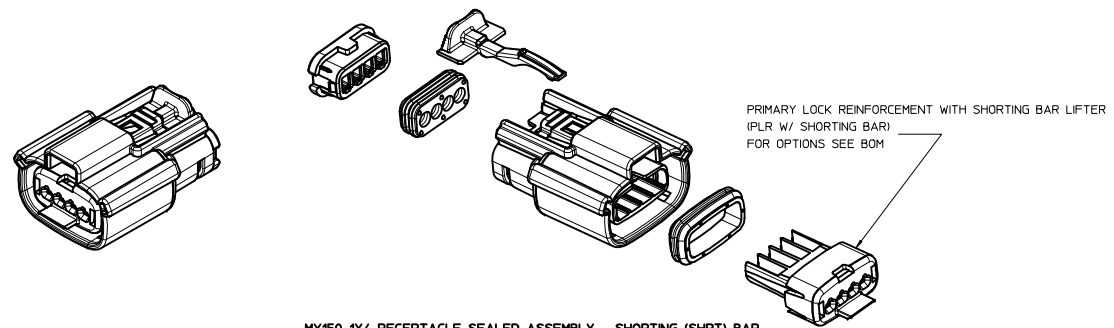


MX150 1X4 RECEPTACLE SEALED ASSEMBLY - STANDARD (STD)



MX150 1X4 RECEPTACLE SEALED ASSEMBLY - ERGO  
UNLESS COMPONENT NOTED, SEE STANDARD ASSEMBLY



MX150 1X4 RECEPTACLE SEALED ASSEMBLY - SHORTING (SHRT) BAR  
UNLESS COMPONENT NOTED, SEE STANDARD ASSEMBLY

TABLE OF CONTENTS	
SHEET NO.	SHEET DESCRIPTION
1	NOTES
2	KEY CONFIGURATIONS
3	RECEPTACLE SEALED ASSEMBLY
4-5	BOM

NOTES: VALID UNLESS OTHERWISE SPECIFIED

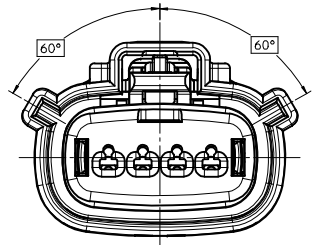
1. GENERAL:
  - a. APPLICATION SPECIFICATION SEE: AS-33472-100
    - CONTAINS: PRODUCT INTRODUCTION, PRODUCT SUMMARY, CONNECTOR ASSEMBLY, PACKAGING INFORMATION, CONNECTOR MATING, SERVICE INSTRUCTIONS, ELECTRICAL CONTINUITY CHECKING, CRIMPING, AND TROUBLESHOOTING.
    - STANDARD (NON-SHRT) CONFIGURATIONS DESIGNED TO MATE WITH DEVICE CONNECTION AS SPECIFIED IN DRAWING SD-33481-041 AND EWCAP 150-S-004-1-203, AVAILABLE AT <http://ewcap.uscarteams.org/>
    - SHORTING BAR CONFIGURATIONS DESIGNED TO MATE WITH BLADE SEALED ASSEMBLY SPECIFIED IN DRAWING SD-31280-200
    - FOR 1.5mm RECEPTACLE TERMINALS TO BE USED WITH THIS ASSEMBLY, SEE MOLEX DRAWING SD-33012-002.
    - SYSTEM TO BE USED WITH WIRE WITHIN DIAMETER RANGE OF 1.2mm TO 2.69mm.
    - ASSEMBLY SHIPPED WITH PLR AND CPA IN PRE-LOCK POSITION (SEE SECTION Z-Z PRE-LOCK).
    - IN THE EVENT THAT THE PLR IS FOUND IN THE SEATED (FINAL LOCK) POSITION, REFER TO MOLEX SPECIFICATION PS-34646-001, AVAILABLE AT [www.molex.com](http://www.molex.com) <<http://www.molex.com>>.
    - ASSEMBLY CONFORMS TO SAE/USCAR-2 REV 4 WITH THE FOLLOWING EXCEPTIONS: ENGAGEMENT FORCE TO MOVE CPA FROM PRE-LOCK TO FINAL LOCK POSITION WHEN UNMATED: 40N MIN, 40N MAX.
    - DISENGAGEMENT FORCE TO MOVE CPA FROM FINAL LOCK TO PRE-LOCK POSITION: 3N MIN, 40N MAX.
    - TERMINAL INSERTION FORCE FOR WIRE DIAMETER ABOVE 2.5mm AND NOT EXCEEDING 2.69mm SHALL NOT EXCEED 40 NEWTONS.
  - b. PRODUCT SPECIFICATION SEE: PS-33471-000
    - CONTAINS: PRODUCT INTRODUCTION, PRODUCT SUMMARY, RATINGS (CURRENT, TEMPERATURE, SEALING, AND FLAMMABILITY), AND PRODUCT VALIDATION.
  - c. PACKAGING SPECIFICATION PER MOLEX DRAWING: PK-31300-903
  - d. PARTS MUST BE IN COMPLIANCE TO MOLEX CHEMICAL SUBSTANCES FOR PRODUCTS AND PACKAGING SPECIFICATION: ES-0000-5016
  - e. DATA MUST BE SUBMITTED UNDER THE MOLEX PART NUMBER TO IMDS (COMPANY ID#13255)
2. DESIGN - MATERIALS:
  - a. SEE BOM TABLE
3. DESIGN - GEOMETRY:
  - a. THIS IS A 100% CAD GENERATED PART. THE CAD MATHEMATICAL DATA IS THE MASTER FOR THIS PART. FOR DIMENSIONAL OR ANY INFORMATION NOT SHOWN ON THIS DRAWING, ANALYZE THE CAD MODEL.
  - b. GEOMETRIC DIMENSIONS AND TOLERANCES PER ASME Y14.5M - 1994
  - c. EDGES AND UNDIMENSIONED DETAILS PER ISO13715
  - d. CORNERS SHOWN AS SHARP TO BE R 0.2 MAX.
  - e. LETTERING SHALL BE 0.15 MAX RAISED IN 0.25 MAX RECESS PAD, THIS INCLUDES RECYCLING CODE, CAVITY ID, VENDOR IDENTIFICATION, AND CUSTOMER MATERIAL NUMBER
  - f. VISUAL DEFECTS SHALL MEET COSMETIC STANDARD PS-45499-002 (Class B)
  - g. LASER MARKING: TBD

INSPECTION NUMBER LOG  
LAST NUMBER USED: 5  
ADDED:  
REMOVED: 2

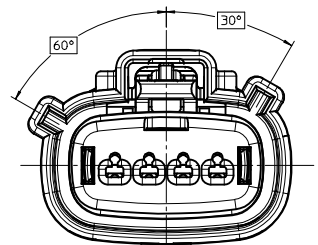
REV	DESCRIPTION
V4	UPDATED VIEWSETS
V3	UPDATED TOLERANCE TO DIMENSION 3
V2	UPDATED NOMENCLATURE SHEET 3
V1	UPDATED STATUS COLUMN
V	REDRAWN

ENTER DESCRIPTION DEC NO: UAU2013-1080 DRWN: KUNNINGHAM 2013/01/22 CHKD: APPR: VKOSHY 2013/01/24 REV: V4	QUALITY SYMBOLS ▽=0 ▽=0 ▽=0	GENERAL TOLERANCES (UNLESS SPECIFIED) mm      INCH 4 PLACES ± .10      ± .005 3 PLACES ± .15      ± .005 2 PLACES ± 0.10      ± .005 1 PLACE ± 0.3      ± .005 0 PLACE ±      ±	DIMENSION STYLE MM ONLY DRAWN BY DATE DGRIFITHS 2010/03/31 CHECKED BY DATE MDICK 2011/08/11 APPROVED BY DATE VKOSHY 2010/04/06	DESIGN UNITS METRIC THIRD ANGLE PROJECTION	TITLE MX150 1X4 RECEPTACLE SEALED ASSEMBLY MAT SEAL <b>molex</b>	MATERIAL NO. SEE BOM	DOCUMENT NO. SD-33471-041	SHEET NO. 1 OF 5
	DRAFT WHERE APPLICABLE MUST REMAIN WITHIN DIMENSIONS							
	THIS DRAWING CONTAINS INFORMATION THAT IS PROPRIETARY TO MOLEX INCORPORATED AND SHOULD NOT BE USED WITHOUT WRITTEN PERMISSION							
	SIZE D							

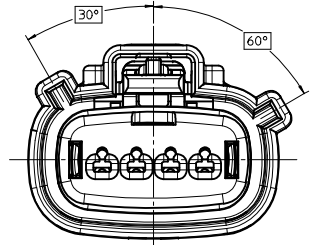
KEY CONFIGURATIONS



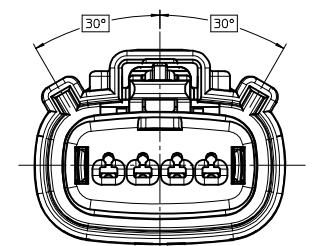
KEY A



KEY B



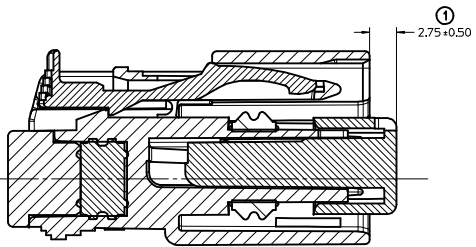
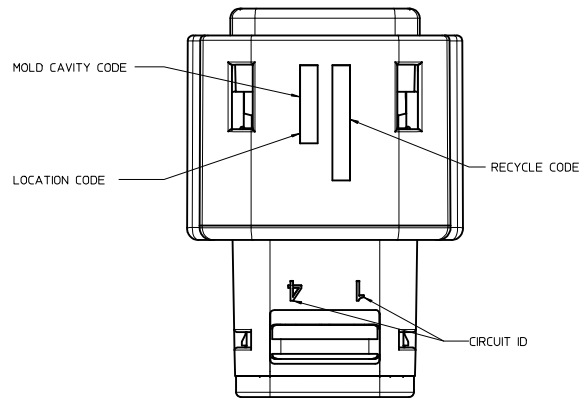
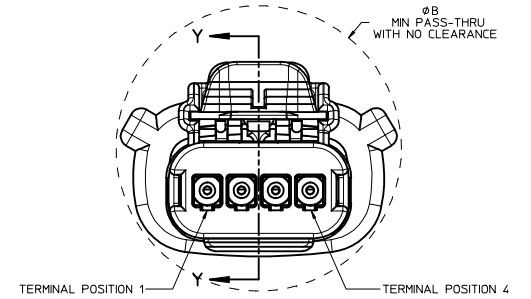
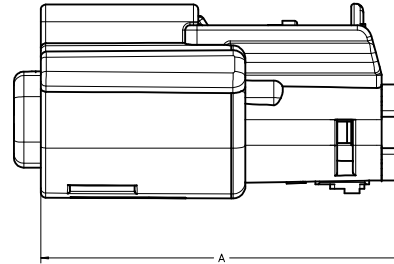
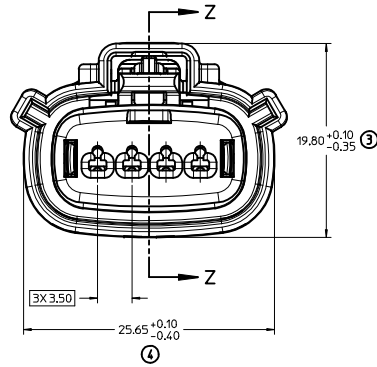
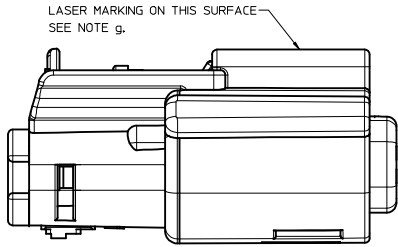
KEY C



KEY D

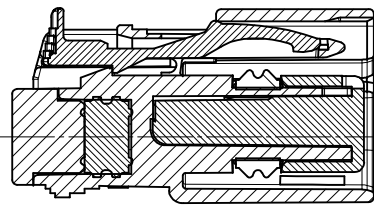
<b>ENTER DESCRIPTION</b> EC NO: UAU2013-1080 DRAWN: KUNNINGHAM 2013/01/22 CHKD: APPR: VKOSHY 2013/01/24	QUALITY SYMBOLS ▽=0 ▽=0 ▽=0	GENERAL TOLERANCES (UNLESS SPECIFIED) mm INCH 4 PLACES ± .005 ± .002 3 PLACES ± .003 ± .001 2 PLACES ± 0.10 ± .004 1 PLACE ± 0.3 ± .012 0 PLACE ± ±	DIMENSION STYLE MM ONLY	SCALE 4:1	DESIGN UNITS METRIC	THIRD ANGLE PROJECTION	
	DRAFT WHERE APPLICABLE MUST REMAIN WITHIN DIMENSIONS	MATERIAL NO. SEE BOM	DRAWN BY DGRIFITHS	DATE 2010/03/31	TITLE MX150 1X4 RECEPTACLE SEALED ASSEMBLY MAT SEAL	DOCUMENT NO. SD-33471-041	SHEET NO. 2 OF 5
	ANGLAR ± 3 °	SIZE D	CHECKED BY MDICK	DATE 2011/08/11	APPROVED BY VKOSHY	DATE 2010/04/06	THIS DRAWING CONTAINS INFORMATION THAT IS PROPRIETARY TO MOLEX INCORPORATED AND SHOULD NOT BE USED WITHOUT WRITTEN PERMISSION
	MOLEX	MOLEX	MOLEX	MOLEX	MOLEX	MOLEX	MOLEX

RECEPTACLE SEALED ASSEMBLY



PRIMARY LOCK REINFORCEMENT (PLR) SHOWN IN PRE-STAGED POSITION

SECTION Z-Z



PRIMARY LOCK REINFORCEMENT (PLR) SHOWN IN FINAL-LOCK POSITION

SECTION Y-Y

CHARTED DIMENSIONS		
CONFIGURATION	A	B
MX150 1X4 RECPT SEALED ASSY - STANDARD	36.95 ±0.70	29.14
MX150 1X4 RECPT SEALED ASSY - ERGO	36.95 ±0.90	29.33
MX150 1X4 RECPT SEALED ASSY - SHORTING (SHRT) BAR	36.95 ±0.70	29.14

<b>ENTER DESCRIPTION</b> ELEC NO: UAU2013-1080 DRAWN/CUMMINGHAM 2013/01/22 CHKD: APPR:VKOSHY 2013/01/24 REV DESCRIPTION	QUALITY SYMBOLS	GENERAL TOLERANCES (UNLESS SPECIFIED)	DIMENSION STYLE	SCALE	DESIGN UNITS	THIRD ANGLE PROJECTION
	▽=0	4 PLACES ± mm ± INCH	MM ONLY	4:1	METRIC	☉
	▽=0	3 PLACES ±0.10 ±	DRAWN BY DATE	DGRIFITHS 2010/03/31	TITLE	MX150 1X4 RECEPTACLE SEALED ASSEMBLY MAT SEAL
	▽=0	2 PLACES ±0.3 ±	CHECKED BY DATE	MDICK 2011/08/11	MATERIAL NO.	SEE BOM
		1 PLACE ±0.3 ±	APPROVED BY DATE	VKOSHY 2010/04/06	DOCUMENT NO.	SD-33471-041
		0 PLACE ± ±			SHEET NO.	3 OF 5
DRAFT WHERE APPLICABLE MUST REMAIN WITHIN DIMENSIONS			SIZE	THIS DRAWING CONTAINS INFORMATION THAT IS PROPRIETARY TO MOLEX INCORPORATED AND SHOULD NOT BE USED WITHOUT WRITTEN PERMISSION		

ASSEMBLY DESCRIPTION	ASSEMBLY PART NUMBER	A	B	C	D	C	D	GCO	GCP	GCEO	GCEP	P	PS	M	CPA	1	2	3	4	STATUS	COMMENTS
VOID KEY	33471-0440																				
KEY D W/ SHRT. BAR, GREEN	33471-0439				D			GCO					PS	M							
KEY C W/ SHRT. BAR, BROWN	33471-0438			C				GCO					PS	M							
KEY B W/ SHRT. BAR, LT. GRAY	33471-0437		B					GCO					PS	M							
KEY A W/ SHRT. BAR, BLACK	33471-0436	A						GCO					PS	M						SALEABLE	
VOID KEY	33471-0435																				
KEY D W/O MAT SEAL, GREEN	33471-0434				D			GCO				P									NOT VALIDATED
KEY C W/O MAT SEAL, BROWN	33471-0433			C				GCO				P									NOT VALIDATED
KEY B W/O MAT SEAL, LT. GRAY	33471-0432		B					GCO				P									NOT VALIDATED
KEY A W/O MAT SEAL, BLACK	33471-0431	A						GCO				P								SALEABLE	NOT VALIDATED
VOID KEY	33471-0430																				
KEY D W/ CPA, GREEN	33471-0429				D			GCP				P	M	CPA	1				4		
KEY C W/ CPA, BROWN	33471-0428			C				GCP				P	M	CPA	1				4		
KEY B W/ CPA, LT. GRAY	33471-0427		B					GCP				P	M	CPA	1				4		
KEY A W/ CPA, BLACK	33471-0426	A						GCP				P	M	CPA	1				4		SALEABLE
VOID KEY	33471-0425																				
KEY D, GREEN	33471-0424				D			GCP				P	M		1				4		
KEY C, BROWN	33471-0423			C				GCP				P	M		1				4		
KEY B, LT. GRAY	33471-0422		B					GCP				P	M		1				4		
KEY A, BLACK	33471-0421	A						GCP				P	M		1				4		SALEABLE
VOID KEY	33471-0420																				
KEY D W/ CPA, GREEN	33471-0419				D			GCP				P	M	CPA					4		
KEY C W/ CPA, BROWN	33471-0418			C				GCP				P	M	CPA					4		
KEY B W/ CPA, LT. GRAY	33471-0417		B					GCP				P	M	CPA					4		
KEY A W/ CPA, BLACK	33471-0416	A						GCP				P	M	CPA					4		SALEABLE
VOID KEY	33471-0415																				
KEY D, GREEN	33471-0414				D			GCP				P	M						4		
KEY C, BROWN	33471-0413			C				GCP				P	M						4		
KEY B, LT. GRAY	33471-0412		B					GCP				P	M						4		
KEY A, BLACK	33471-0411	A						GCP				P	M						4		SALEABLE
KEY C W/ CPA, BLACK	33471-0410				C			GCO				P	M	CPA							
KEY D W/ CPA, GREEN	33471-0409				D			GCO				P	M	CPA							NOT RECOMMENDED
KEY C W/ CPA, BROWN	33471-0408			C				GCO				P	M	CPA							NOT RECOMMENDED
KEY B W/ CPA, LT. GRAY	33471-0407		B					GCO				P	M	CPA							SEE P/N 33471-0465
KEY A W/ CPA, BLACK	33471-0406	A						GCO				P	M	CPA							SEE P/N 33471-0464
VOID KEY	33471-0405																				
KEY D, GREEN	33471-0404				D			GCO				P	M								NOT RECOMMENDED
KEY C, BROWN	33471-0403			C				GCO				P	M								SEE P/N 33471-0463
KEY B, LT. GRAY	33471-0402		B					GCO				P	M								SEE P/N 33471-0462
KEY A, BLACK	33471-0401	A						GCO				P	M								SALEABLE

DESCRIPTION	COLOR	MATERIAL
RING SEAL	BURNT ORANGE	INHERENTLY LUBRICATED SILICONE
CPA	BRIGHT RED	PBT GF30
MAT SEAL	LIGHT BLUE	INHERENTLY LUBRICATED SILICONE
SHORTING BAR PLR	NATURAL	SPS/NYLON GF20
STANDARD PLR	NATURAL	SPS/NYLON GF20
ERGONOMIC GROMMET CAP, PLUGGED	BLACK	SPS/NYLON GF20
ERGONOMIC GROMMET CAP, OPEN	BLACK	SPS/NYLON GF20
STANDARD GROMMET CAP, PLUGGED	BLACK	SPS/NYLON GF20
STANDARD GROMMET CAP, OPEN	BLACK	SPS/NYLON GF20
HOUSING KEYING OPTION D	STONE GRAY	SPS/NYLON GF20
HOUSING KEYING OPTION C	DARK GRAY	SPS/NYLON GF20
HOUSING KEYING OPTION C	BLACK	SPS/NYLON GF20
HOUSING KEYING OPTION D	GREEN	SPS/NYLON GF20
HOUSING KEYING OPTION C	BROWN	SPS/NYLON GF20
HOUSING KEYING OPTION B	LIGHT GRAY	SPS/NYLON GF20
HOUSING KEYING OPTION A	BLACK	SPS/NYLON GF20

BOM/APPLICABLE COMPONENTS TABLE

ABBREVIATION	COMPONENT
A	HOUSING KEY A
B	HOUSING KEY B
C	HOUSING KEY C
D	HOUSING KEY D
GCO	GROMMET CAP, STANDARD, OPEN
GCP	GROMMET CAP, STANDARD, PLUGGED
GCEO	GROMMET CAP, ERGONOMIC, OPEN
GCEP	GROMMET CAP, ERGONOMIC, PLUGGED
M	MAT SEAL
P	PLR, STANDARD
PS	PLR, SHRT. BAR LIFTER
R	RING SEAL
CPA	CPA

<b>ENTER DESCRIPTION</b> EEC NO: UAU2013-1080 DRAWN: CUNNINGHAM 2013/01/22 CHKD: APPR: VKOSHY REV:	QUALITY SYMBOLS ∇=0 ∇=0 ∇=0	GENERAL TOLERANCES (UNLESS SPECIFIED) mm INCH 4 PLACES ±0.10 ±0.004 3 PLACES ±0.15 ±0.005 2 PLACES ±0.20 ±0.008 1 PLACE ±0.30 ±0.012 0 PLACE ±0.50 ±0.020 ANGULAR ± 3 ° DRAFT WHERE APPLICABLE MUST REMAIN WITHIN DIMENSIONS	DIMENSION STYLE MM ONLY SCALE DESIGN UNITS METRIC THIRD ANGLE PROJECTION	DRAWN BY DGRIFITHS DATE 2010/03/31 CHECKED BY MDICK DATE 2011/08/11 APPROVED BY VKOSHY DATE 2010/04/06	TITLE MX150 1X4 RECEPTACLE SEALED ASSEMBLY MAT SEAL molex MATERIAL NO. SEE BOM DOCUMENT NO. SD-33471-041 SHEET NO. 4 OF 5
	THIS DRAWING CONTAINS INFORMATION THAT IS PROPRIETARY TO MOLEX INCORPORATED AND SHOULD NOT BE USED WITHOUT WRITTEN PERMISSION				

ASSEMBLY DESCRIPTION	ASSEMBLY PART NUMBER	A	B	C	D	C	C	D	GCO	GCP	GCEO	GCEP	P	PS	M	CPA	1	2	3	4	STATUS	COMMENTS
KEY A, BLACK	33471-0469	A								GCP			P	M			2	4			SALEABLE	
KEY B, W/ CPA, LIGHT GRAY	33471-0468		B							GCP			P	M	CPA		2					
KEY A, BLACK	33471-0467	A								GCP			P	M				3	4		SALEABLE	
KEY B, LIGHT GRAY	33471-0466		B							GCP			P	M			1	2				
KEY D W/ CPA, STONE GRAY	33471-0465							D	GCO				P	M	CPA						TOOLED BUT NOT VALIDATED	
KEY C W/ CPA, DARK GRAY	33471-0464							C	GCO				P	M	CPA						TOOLED BUT NOT VALIDATED	
KEY D, STONE GRAY	33471-0463							D	GCO				P	M							TOOLED BUT NOT VALIDATED	
KEY C, DARK GRAY	33471-0462							C	GCO				P	M							TOOLED BUT NOT VALIDATED	
KEY A W/ CPA & ERGO. CAP, BLACK	33471-0461	A								GCEO			P	M	CPA						SALEABLE	
VOID KEY	33471-0460																					
KEY A, BLACK	33471-0459	A								GCP			P	M					3		SALEABLE	
KEY A W/ SHRT. BAR, BLACK	33471-0458	A								GCP			PS	M			1			4	SALEABLE	
KEY D W/ SHRT. BAR, GREEN	33471-0457			D						GCP			PS	M						4		
VOID KEY	33471-0456																					
KEY D W/ SHRT. BAR, GREEN	33471-0455			D						GCP			PS	M			1	2	3	4		
KEY C W/ SHRT. BAR, BROWN	33471-0454			C						GCP			PS	M			1	2	3	4		
KEY B W/ SHRT. BAR, LT. GRAY	33471-0453		B							GCP			PS	M			1	2	3	4		
KEY A W/ SHRT. BAR, BLACK	33471-0452	A								GCP			PS	M			1	2	3	4	SALEABLE	
KEY A W/ SHRT. BAR, BLACK	33471-0451	A								GCP			PS	M					3	4	SALEABLE	
VOID KEY	33471-0450																					
KEY D W/ CPA & SHRT. BAR, GREEN	33471-0449			D						GCO			PS	M	CPA							
KEY C W/ CPA & SHRT. BAR, BROWN	33471-0448			C						GCO			PS	M	CPA							
KEY B W/ CPA & SHRT. BAR, LT. GRAY	33471-0447		B							GCO			PS	M	CPA							
KEY A W/ CPA & SHRT. BAR, BLACK	33471-0446	A								GCO			PS	M	CPA						SALEABLE	
VOID KEY	33471-0445																					
KEY D, GREEN	33471-0444			D						GCP			P	M			1	2	3	4		
KEY C, BROWN	33471-0443			C						GCP			P	M			1	2	3	4		
KEY B, LT. GRAY	33471-0442		B							GCP			P	M			1	2	3	4		
KEY A, BLACK	33471-0441	A								GCP			P	M			1	2	3	4	SALEABLE	

BLOCKED TERMINAL	STATUS	COMMENTS
CAVITY WITH A NUMBER INDICATES BLOCKED TERMINAL POSITION CAVITY WITHOUT A NUMBER INDICATES OPEN TERMINAL POSITION		
RING SEAL	BURNT ORANGE	INHERENTLY LUBRICATED SILICONE
CPA	BRIGHT RED	PBT GF30
MAT SEAL	LIGHT BLUE	INHERENTLY LUBRICATED SILICONE
SHORTING BAR PLR	NATURAL	SPS/NYLON GF20
STANDARD PLR	NATURAL	SPS/NYLON GF20
ERGONOMIC GROMMET CAP, PLUGGED	BLACK	SPS/NYLON GF20
ERGONOMIC GROMMET CAP, OPEN	BLACK	SPS/NYLON GF20
STANDARD GROMMET CAP, PLUGGED	BLACK	SPS/NYLON GF20
STANDARD GROMMET CAP, OPEN	BLACK	SPS/NYLON GF20
HOUSING KEYING OPTION D	STONE GRAY	SPS/NYLON GF20
HOUSING KEYING OPTION C	DARK GRAY	SPS/NYLON GF20
HOUSING KEYING OPTION C	BLACK	SPS/NYLON GF20
HOUSING KEYING OPTION D	GREEN	SPS/NYLON GF20
HOUSING KEYING OPTION C	BROWN	SPS/NYLON GF20
HOUSING KEYING OPTION B	LIGHT GRAY	SPS/NYLON GF20
HOUSING KEYING OPTION A	BLACK	SPS/NYLON GF20
DESCRIPTION	COLOR	MATERIAL

ABBREVIATION	COMPONENT
A	HOUSING KEY A
B	HOUSING KEY B
C	HOUSING KEY C
D	HOUSING KEY D
GCO	GROMMET CAP, STANDARD, OPEN
GCP	GROMMET CAP, STANDARD, PLUGGED
GCEO	GROMMET CAP, ERGONOMIC, OPEN
GCEP	GROMMET CAP, ERGONOMIC, PLUGGED
M	MAT SEAL
P	PLR, STANDARD
PS	PLR, SHRT. BAR LIFTER
R	RING SEAL
CPA	CPA

<b>ENTER DESCRIPTION</b> ELEC NO: UAU2013-1080 DRAWN/CHECKED/INCHGHT: 2013/01/22 CHKD: APPR:VKOSHY REV: V4	QUALITY SYMBOLS ∇=0 ∇=0 ∇=0	GENERAL TOLERANCES (UNLESS SPECIFIED) mm      INCH 4 PLACES ± --- ± --- 3 PLACES ± --- ± --- 2 PLACES ± 0.10 ± --- 1 PLACE ± 0.3 ± --- 0 PLACE ± ±	DIMENSION STYLE MM ONLY	SCALE METRIC	DESIGN UNITS METRIC	THIRD ANGLE PROJECTION
	DRAFT WHERE APPLICABLE MUST REMAIN WITHIN DIMENSIONS		DRAWN BY: DGRIFITHS      DATE: 2010/03/31 CHECKED BY: MDICK      DATE: 2011/08/11 APPROVED BY: VKOSHY      DATE: 2010/04/06	TITLE: MX150 1X4 RECEPTACLE SEALED ASSEMBLY MAT SEAL		
	MATERIAL NO. SEE BOM		DOCUMENT NO. SD-33471-041		SHEET NO. 5 OF 5	
	THIS DRAWING CONTAINS INFORMATION THAT IS PROPRIETARY TO MOLEX INCORPORATED AND SHOULD NOT BE USED WITHOUT WRITTEN PERMISSION					