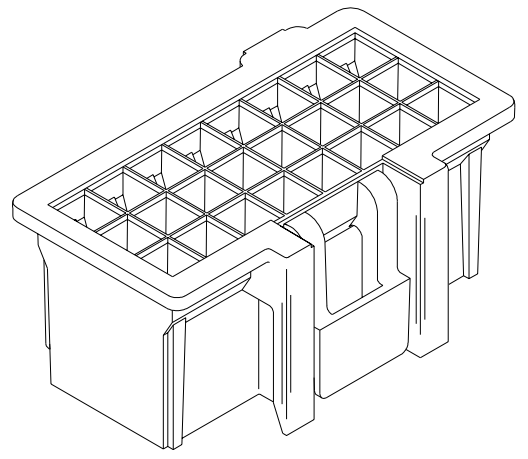
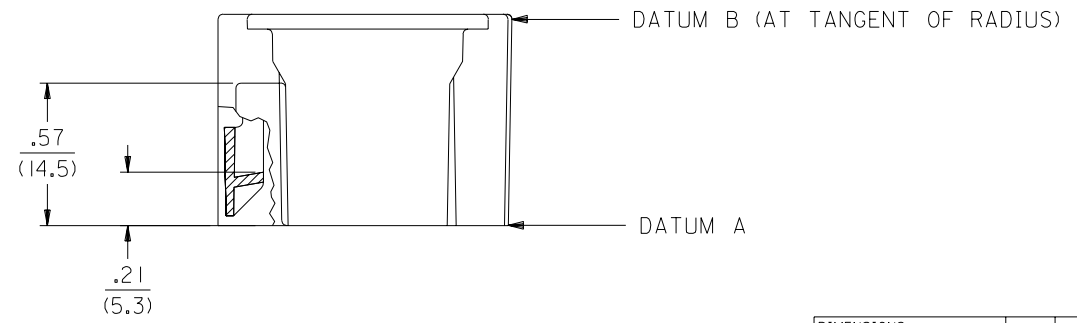
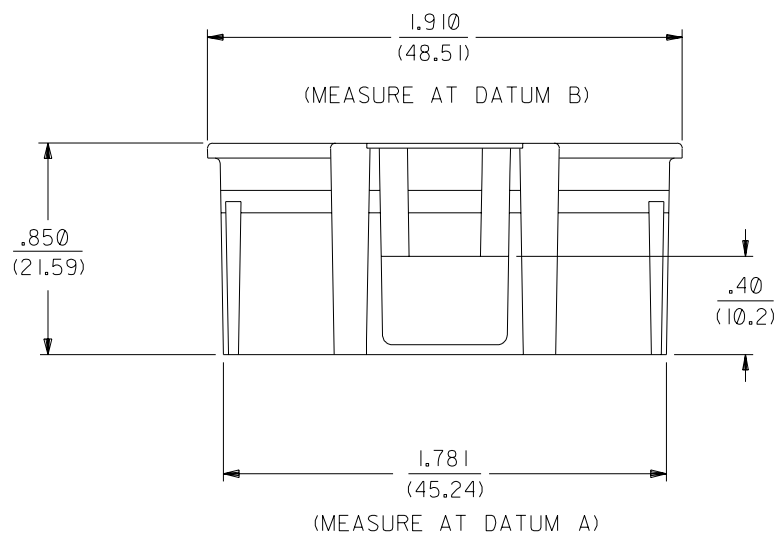


NOTES:

1. MATERIAL: 6/6 NYLON, UL94V-2, COLOR: BLACK
2. FINISH: NOT APPLICABLE
3. PRODUCT SPECIFICATION: PSX-4444I-9999
4. ALL DIMENSIONS ARE FOR REFERENCE ONLY.
5. SEE AS-43796-001 FOR THE DESCRIPTION OF THE MATING INTERFACE.
6. USE TERMINALS: 43375-*



43796-5024



EC NO. UCR2002-0645 DRWN: WIRKUS 03/05/02 CHK: WIRKUS 03/05/02 APPR: FRY 03/05/02	QUALITY SYMBOLS MAJOR $\nabla = 0$ CRITICAL $\nabla C = 0$	GENERAL TOLERANCES: (UNLESS SPECIFIED) mm INCH		SCALE 2 : 1	DESIGN UNITS <input type="checkbox"/> mm <input checked="" type="checkbox"/> INCH	DIMENSIONS: <input type="checkbox"/> mm <input checked="" type="checkbox"/> INCH <input type="checkbox"/> mm ONLY	SHT REV
		4 PLACES $\pm 0.---$ $\pm.---$ 3 PLACES $\pm 0.---$ $\pm.---$ 2 PLACES $\pm 0.---$ $\pm.---$ 1 PLACE $\pm 0.---$ $\pm.---$	DRAWN BY & DATE MARANTO 09/11/96	THIRD ANGLE PROJECTION <input checked="" type="checkbox"/> THIRD ANGLE <input type="checkbox"/> FIRST ANGLE		TITLE: CONNECTOR HOUSING 24 - CIRCUITS TIMER APPLICATION	
ANCU: $\pm 1/2^\circ$	DRAFT WHERE APPLICABLE MUST REMAIN WITHIN DIMENSIONS	APPROVED BY & DATE FRY 09/11/96	CAD FILENAME	MATERIAL NO. 43796-5024 DRAWING NO. SD-43796-001		SHEET NO. 1 OF 1	
B	REV	THIS DRAWING CONTAINS INFORMATION THAT IS PROPRIETARY TO MOLEX INCORPORATED AND SHOULD NOT BE USED WITHOUT WRITTEN PERMISSION.				SIZE B	