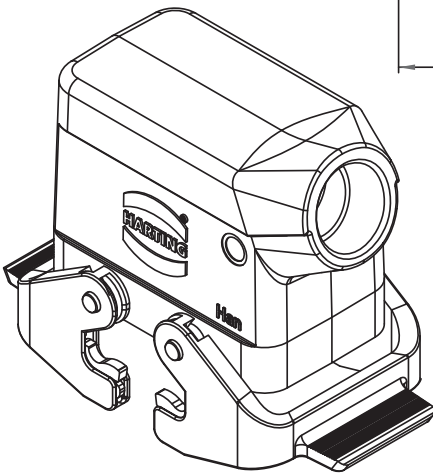
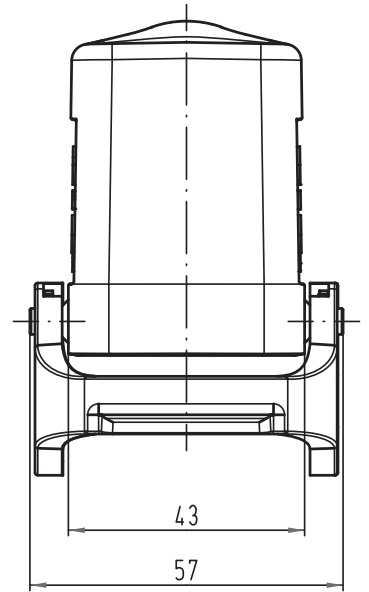
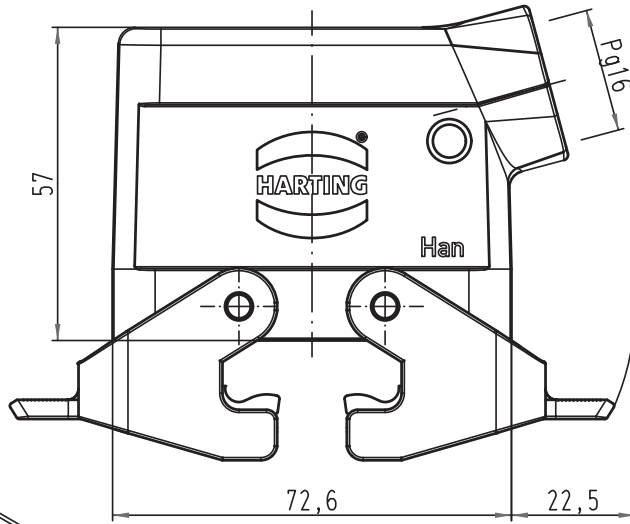


Alle Rechte vorbehalten/ All rights reserved



|   |      |                   |                                |          |   |  |                                    |
|---|------|-------------------|--------------------------------|----------|---|--|------------------------------------|
| All Dimensions in mm<br>Original Size DIN A 4 |      | Techn. Character. |                                |          | Nicht tolerierte Maß/Free size tolerances |  |                                    |
|   |      |                   | Dat.                           | Name     | Maßstab/Scale<br><b>1:1</b>               | Han 3HvE-gs-QB-16<br>Tüllengehäuse<br>hood |                                    |
|   |      |                   | Detail.                        | 20.12.10 |   |  | Spr                                |
|   |      |                   | Insp.                          |          |   |  | Be                                 |
|   |      |                   | Stand.                         |          |   |  |                                    |
| A   |      |                   | HARTING Electric GmbH & Co. KG |          |   | TB 09 34 003 0502                          |                                    |
| Mod.  | Dat. | Name              | D-32339 Espelkamp              |          |   |  | Sub. TB 09 34 003 0502 v. 07.11.07 |
|   |      |                   |                                |          |   | Blatt/page                                 |                                    |

