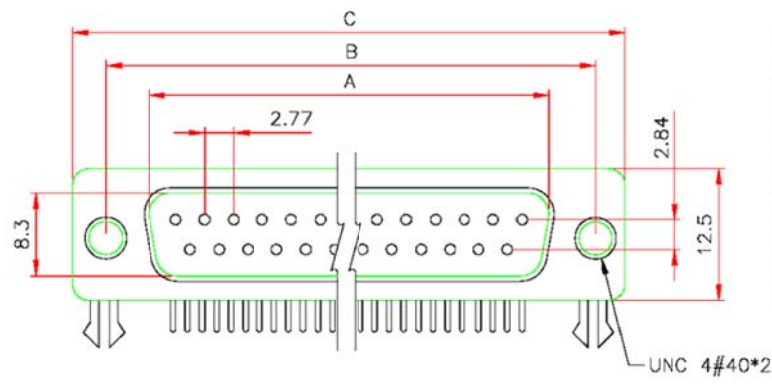


used for:



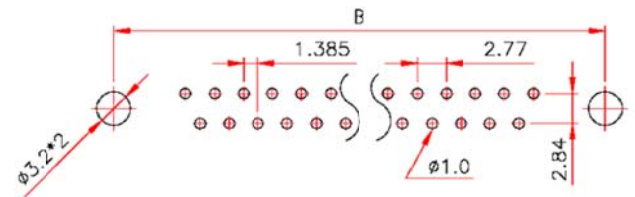
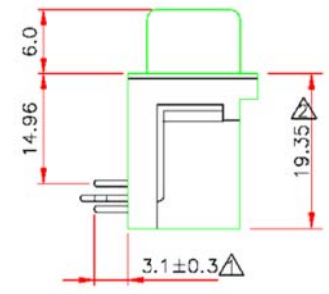
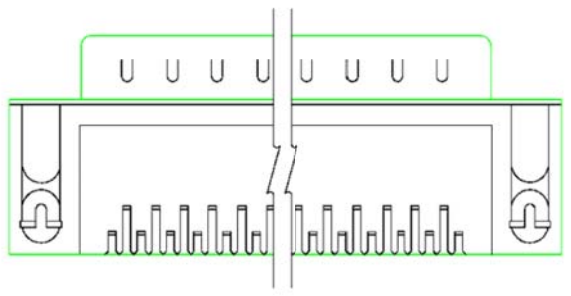
PARTS DIMENSION TABLE

Inner thread UNC 4#40

parts no.	DIM. a	DIM. b	inner thread
B	4.8	11.8	4#40
D	5.8	12.0	4#40
F	4.8	11.8	M3
W	4.8	11.8	N2.6
Y	5.8	12.0	N2.6

SPECIFICATION MATERIAL

Insulator: PBT, rated UL94V-0 (standard)
 Contacts: Brass (standard)
 Shell: Steel
 Rivet, Boardlock: Copper alloy
CONTACT PLATING
 Underplate: 50u" Nickel
 Contact area: 1u"~30u" Selective Gold
 Solder tails area: 100u" Tin/Lead
ELECTRICAL
 Operation voltage: 250 VAC max.
 Current rating: 3 Amps max.
 Contact resistance: 15 mohms max.
 Insulation resistance: 3000 Mohms min @ 500 VDC
 Dielectric withstanding voltage: 1000 VAC / minute
 Operating temperature: -55°C TO +105°C



RECOMMENDED P.C.B LAYOUT(TOP VIEW)
 TOLERANCES: ±0.10mm

POSITION	A	B	C
9M	16.92	25.00	30.8
15M	25.25	33.30	39.2
23M	35.90	44.30	50.3
25M	38.96	47.10	53.1
37M	55.42	63.50	69.4

THIS DRAWING MAY NOT BE COPIED OR REPRODUCED IN ANY WAY, AND MAY NOT BE PASSED ON TO A THIRD PARTY WITHOUT WRITTEN PERMISSION. OWNERSHIP AND COPYRIGHT OF CONEC CORPORATION. **DO NOT ALTER CAD DRAWING BY HAND**

tolerance		finish	
unless otherwise specified tolerance shall be as follow		Dim. in mm	
Deciml: .x .xx	Angles:	2005	date
		draw.	June. 13
		appd.	Vincent Ke
		norm	
		d-old	
rev.	description	date	name

CONEC

scale:	material:	SEE SPECIFICATION
title:	15 pos Male "D" R/A D-Sub 13.84mm snap-in R rivet UN 4/40 nut	
drawing no.:	AutoCAD 2005	DIN A3
	C0506K21A	sheet 1/1
part no.:	301A515505XU	