

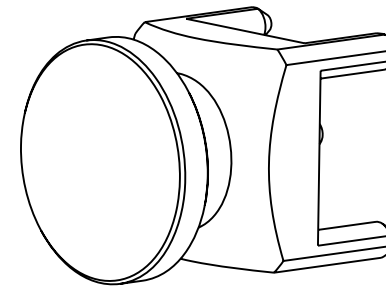
NOTES:

1. MATERIAL AND FINISH:  
 BODY & CONTACT - BRASS, GOLD PLATING  
 INSULATOR - PEEK, NATURAL
2. ELECTRICAL:  
 A. IMPEDANCE: 50 OHM  
 B. FREQUENCY RANGE: DC - 6 GHz  
 C. VSWR(RETURN LOSS): 1.10 MAX. (-26.4 dB MIN.) @ DC - 2 GHz  
                                   1.22 MAX. (-20.0 dB MIN.) @ 2 - 6 GHz  
 CONNECTOR ONLY, PERFORMANCE WILL VARY  
 BASED ON BOARD LAYOUT  
 D. DIELECTRIC WITHSTANDING VOLTAGE: 500 VRMS, MIN.
3. MECHANICAL:  
 A. DURABILITY: 500 CYCLES MIN.  
 B. TEMPERATURE RANGE: -65°C TO +165°C  
 C. ENGAGEMENT FORCE: 10 LBS (45 N) MAX.  
 D. DISENGAGEMENT FORCE: 2 LBS (9 N) MIN.  
 E. INNER CONTACT RETENTION FORCE: 1.5 LBS (7 N) MIN.
4. PACKAGING:  
 A. QUANTITY: TAPE & REEL PACKAGING, 600 PCS/REEL  
 B. MARKING: REEL TO BE MARKED:  
 "AMPHENOL RF, SMP-MSLD-PCT16T, DATE CODE"

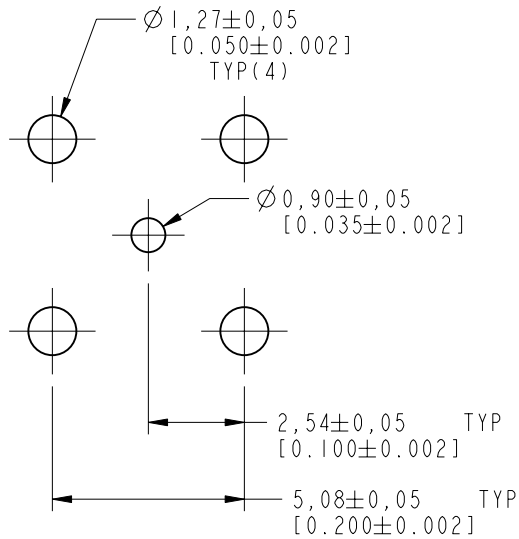
THIRD ANGLE PROJ.

REVISIONS

REV	DESCRIPTION	DATE	ECO	APPR
A	RELEASE TO MFG.	07-Jun-18	08221	BMG

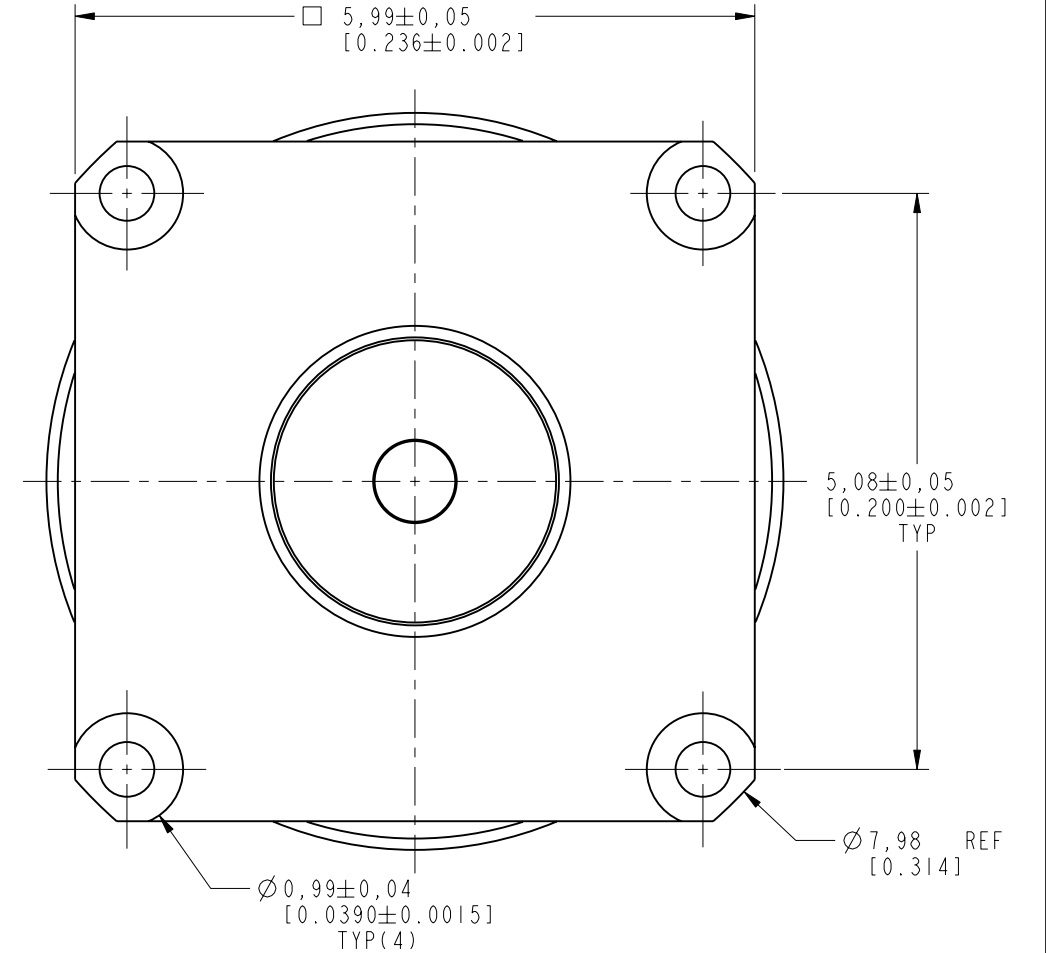
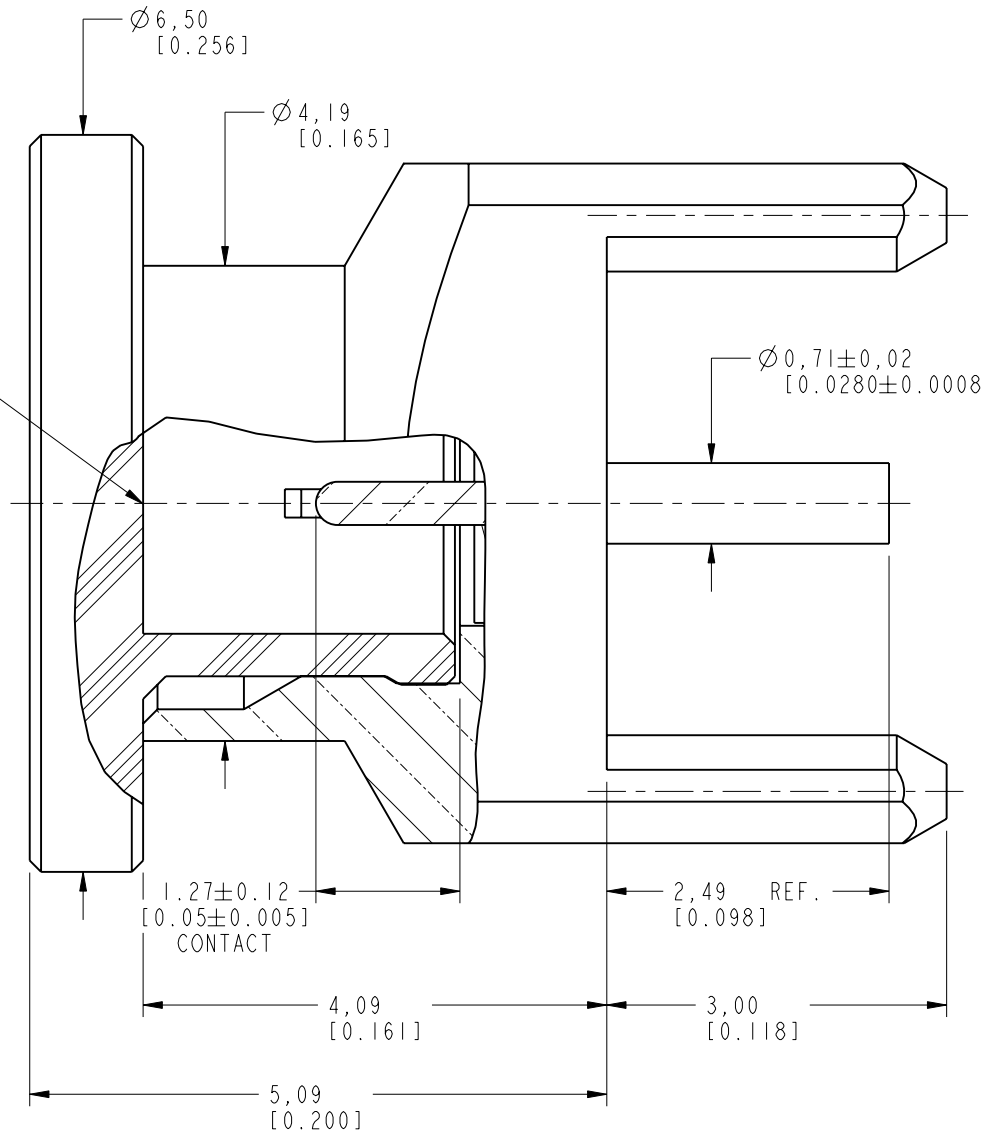


SCALE 5.000



**RECOMMENDED PCB HOLE DIMENSIONS**

INTERFACE PER MIL-STD-348 SERIES: SMP JACK LIMITED DETENT



**CUSTOMER OUTLINE DRAWING**

ALL OTHER SHEETS ARE FOR INTERNAL USE ONLY

UNLESS OTHERWISE SPECIFIED, DIMENSIONS ARE IN METRIC AND TOLERANCES ARE:  
 < 0.5mm ± 0.05mm    0.5 - 6mm ± 0.1mm    6 - 30mm ± 0.2mm    30 - 120mm ± 0.3mm    ANGLES ± 1°

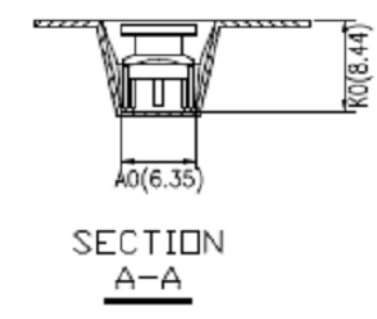
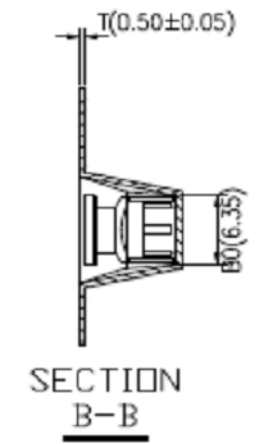
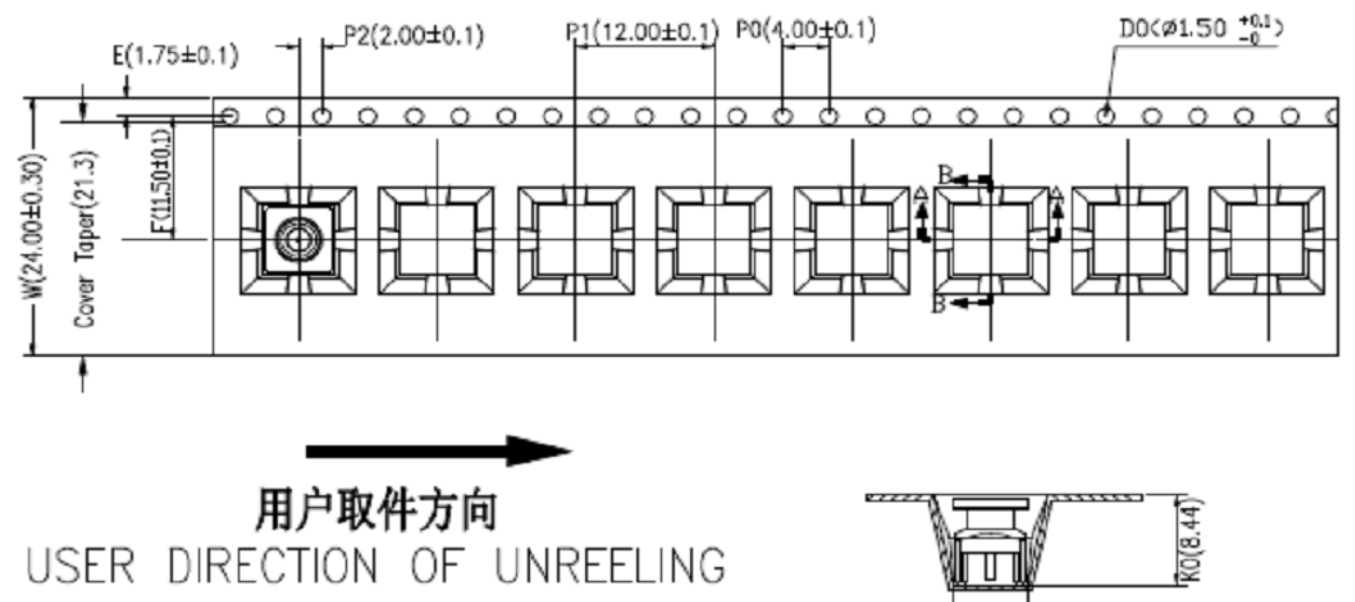
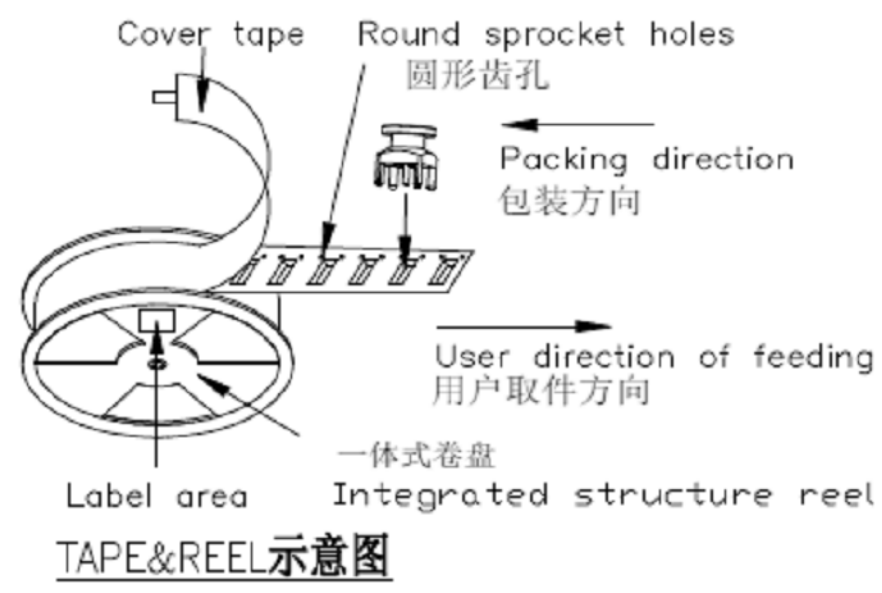
NOTICE - These drawings, specifications, or other data (1) are, and remain the property of Amphenol corp. (2) must be returned upon request; and (3) are confidential and not to be disclosed to any person other than those to whom they are given by Amphenol Corp. the furnishing of these drawings, specifications, or other data by Amphenol Corp., or to any other person to anyone for any purpose is not to be regarded by implication or otherwise in any manner licensing, granting rights to permitting such holder or any other person to manufacture, use or sell any product, process or design, patented or otherwise, that may in any way be related to or disclosed by said drawings, specifications, or other data.

MATERIAL	DRAWN S. DUAN	DATE 07-Jun-18	TITLE SMP STF JACK PCB RECEPTACLE LIMITED DETENT	Amphenol RF <a href="http://www.amphenolrf.com">www.amphenolrf.com</a>
REFERENCE EAR # 8016 AND SMP-MSLD-PCT	ENGINEER B. GREENBAUM	DATE 07-Jun-18		
CONFIGURATION LEVEL: In Work	APPROVED S. HSIEH	DATE 20-Jun-18	SCALE: 15.0:1.0 SHEET 2 OF 3	DRAWING NO. SMP-MSLD-PCT16T
FINISH	CAD FILE	DWG SIZE B	REV A	ITEM NO. SMP-MSLD-PCT16T
				PART NO. SMP-MSLD-PCT16T

THIRD ANGLE PROJ.

REVISIONS

REV	DESCRIPTION	DATE	ECO	APPR
A	RELEASE TO MFG.	07-Jun-18	08221	BMG



NOTES:

- 10 sprocket holes pitch cumulative tolerance  $\pm 0.20$  mm.
- Carrier camber not to exceed 1 mm in 250 mm.
- A0 and B0 measured on a plane 0.3 mm above the bottom of the pocket.
- K0 measured from a plane on the inside bottom of the pocket to the top surface of the carrier.
- All dimensions meet EIA-481-D requirements.
- Material: Black PS (RoHS Compliant)
- Thickness:  $0.50 \pm 0.05$  mm.
- Packing length per 13" reel: 7.968 Meters.
- Component loader per 13" reel: 600 pcs.

注:未注公差為 $\pm 0.10$

NOTE: ALL TOLERANCES ARE:  $\pm 0.10$ , EXCEPT WHERE NOTED

ITEM	W	A <sub>0</sub>	A <sub>1</sub>	B <sub>0</sub>	B <sub>1</sub>	K <sub>0</sub>	K <sub>1</sub>	P <sub>1</sub>	F	E	D <sub>0</sub>	P <sub>0</sub>	P <sub>2</sub>	T
DIM	24.00±0.30	6.35±0.10	/	6.35±0.10	/	8.44 ±0.10	/	12.00±0.10	11.50±0.10	1.75±0.10	1.50 <sup>+0.10</sup> / <sub>0.00</sub>	4.00±0.10	2.00±0.10	0.50±0.05

UNLESS OTHERWISE SPECIFIED, DIMENSIONS ARE IN METRIC AND TOLERANCES ARE:  
 < 0.5mm ± 0.05mm    0.5 - 6mm ± 0.1mm    6 - 30mm ± 0.2mm    30 - 120mm ± 0.3mm    ANGLES ± 1°  
 NOTICE - These drawings, specifications, or other data (1) are, and remain the property of Amphenol corp. (2) must be returned upon request; and (3) are confidential and not to be disclosed to any person other than those to whom they are given by Amphenol Corp. the furnishing of these drawings, specifications, or other data by Amphenol Corp., or to any other person to anyone for any purpose is not to be regarded by implication or otherwise in any manner licensing, granting rights to permitting such holder or any other person to manufacture, use or sell any product, process or design, patented or otherwise, that may in any way be related to or disclosed by said drawings, specifications, or other data.

MATERIAL	DRAWN S. DUAN	DATE 07-Jun-18	TITLE SMP STF JACK PCB RECEPTACLE LIMITED DETENT	Amphenol RF www.amphenolrf.com
REFERENCE EAR # 8016 AND SMP-MSLD-PCT	ENGINEER B. GREENBAUM	DATE 07-Jun-18		
CONFIGURATION LEVEL: In Work	APPROVED S. HSIEH	DATE 20-Jun-18	SCALE: 17.5:1.0 SHEET 3 OF 3	DRAWING NO. SMP-MSLD-PCT16T
FINISH	CAD FILE		DWG SIZE B	ITEM NO. SMP-MSLD-PCT16T
			REV A	PART NO. SMP-MSLD-PCT16T