

SBL40DC SERIES

**SBL40D1-04**  
 SERVO BLDC MOTOR

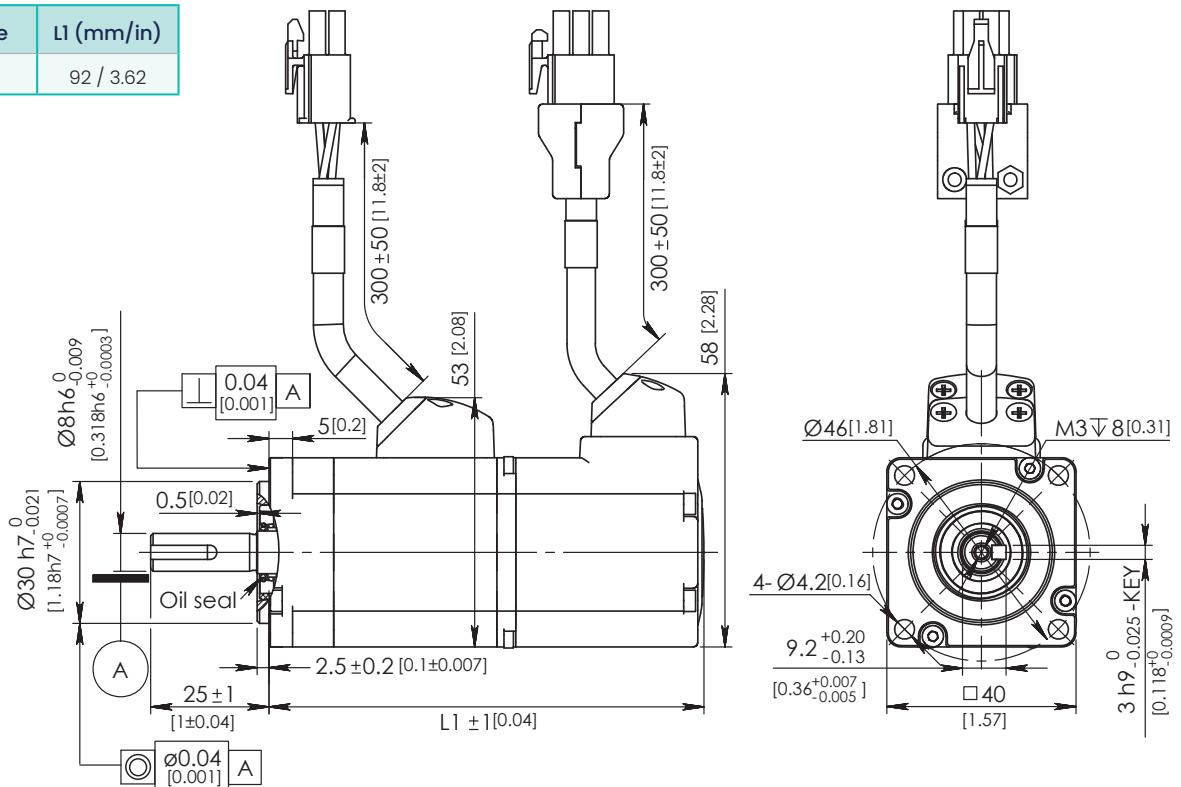


**MOTOR SPECIFICATIONS**

Frame Size	40 mm
Rated Voltage	36 VDC
Rated Output Power	60 W
Rated Speed	3,000 RPM
Max Speed	6,000 RPM
Rated Torque	0.19 Nm (26.9 oz-in)
Rated Current	5.7 A
Voltage Constant	2.1 V rms/ K rpm
Max Torque	0.48 Nm (67.9 oz-in)
Resistance	0.36 Ohm
Terminal Inductance	0.39 mH
Torque Constant	0.035 Nm/A
Rotor Inertia	23.2 g-cm <sup>2</sup>
# of Poles	8
Encoder Type	Incremental
Encoder Resolution	2,500 CPR Incremental
IP Rating	IP65
Weight	0.4 kg (0.88 lbs)

**SPECIFICATIONS (Unit: mm/in)**

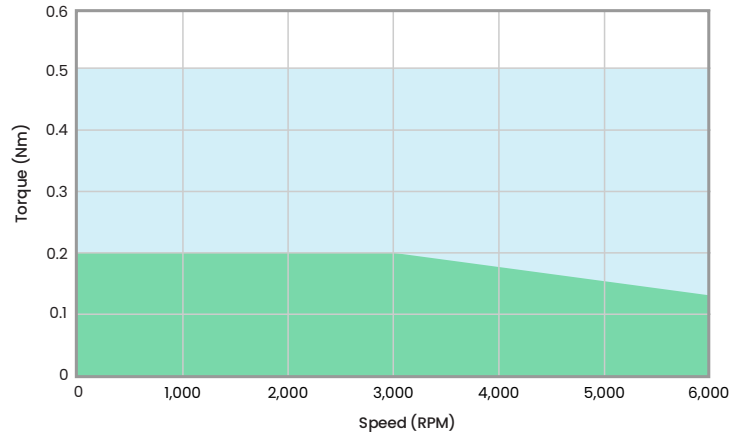
Without Brake	L1 (mm/in)
SBL40D1-04	92 / 3.62



## TORQUE CURVES (Unit: mm/in)

**SBL40DI-04** (60 Watts)  
36 VDC - 5.7 Amps

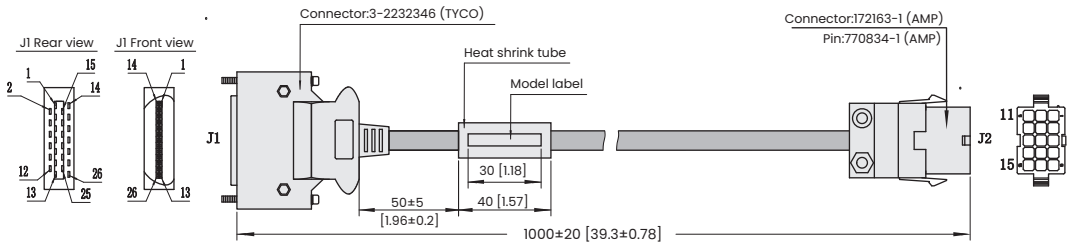
**Note:** The torque and maximum speed depend on the DC bus voltage. Please choose the proper supply voltage.



Max. Intermittent Torque  
Max. Continuous Torque

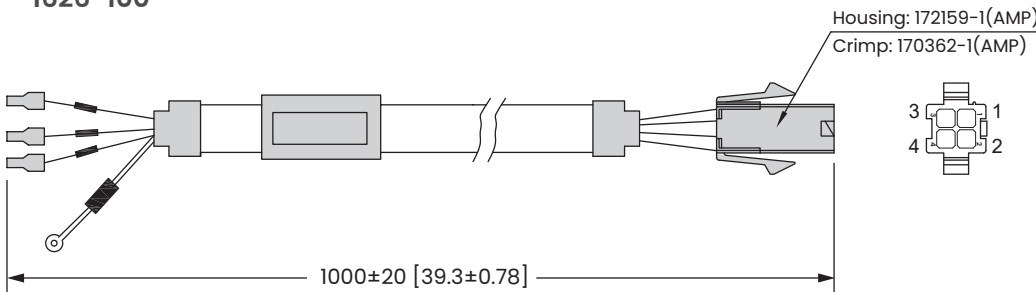
## WIRE HARNESS

### 2624-100



PINOUT DIAGRAMS			
SIGNAL	J1 CON	COLOR	J2 CON
+5V	11	Red	1
GND	24	Black	2
U+	4	Brown	3
U-	6	Brown/Black	4
V+	17	Grey	5
V-	19	Grey/Black	6
W+	5	White	7
W-	7	White/Black	8
A+	1	Blue/Black	9
A-	14	Blue	10
B+	2	Green	11
B-	15	Green/Black	12
Z+	3	Yellow	13
Z-	16	Yellow/Black	14
SHIELD			15

### 1626-100



Signal	Color	Connect to motor AMP172159-1
U	Red	1
V	Yellow	2
W	Blue	3
PE	Yellow/Green	4

**Notes:** Wire harness cable extensions (2624-100 and 1626-100) must be purchased separately.

# Motion Control, Solved.

## MOTOR ENGINEERING & MANUFACTURING



Optimized  
For Your  
Application



Quick  
Prototype  
Turnaround



Small Batch  
to OEM Volume  
Production



US Based  
Support &  
Manufacturing