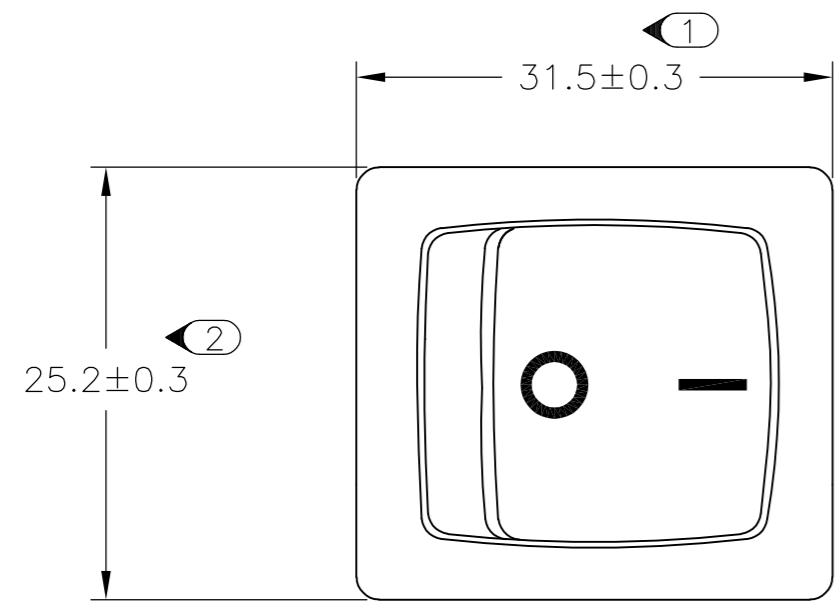
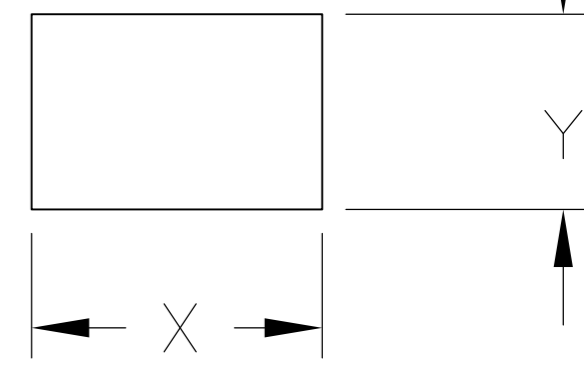


THIS DRAWING IS UNPUBLISHED. RELEASED FOR PUBLICATION 30/OCT ,2003.  
 © COPYRIGHT 2003 BY TYCO ELECTRONICS CORPORATION. ALL RIGHTS RESERVED.

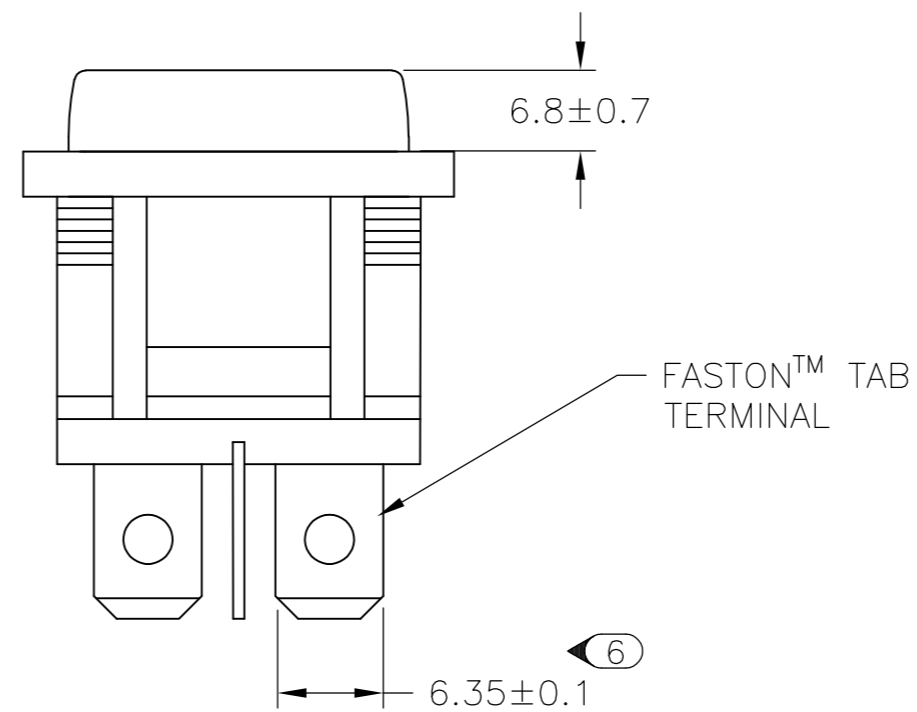
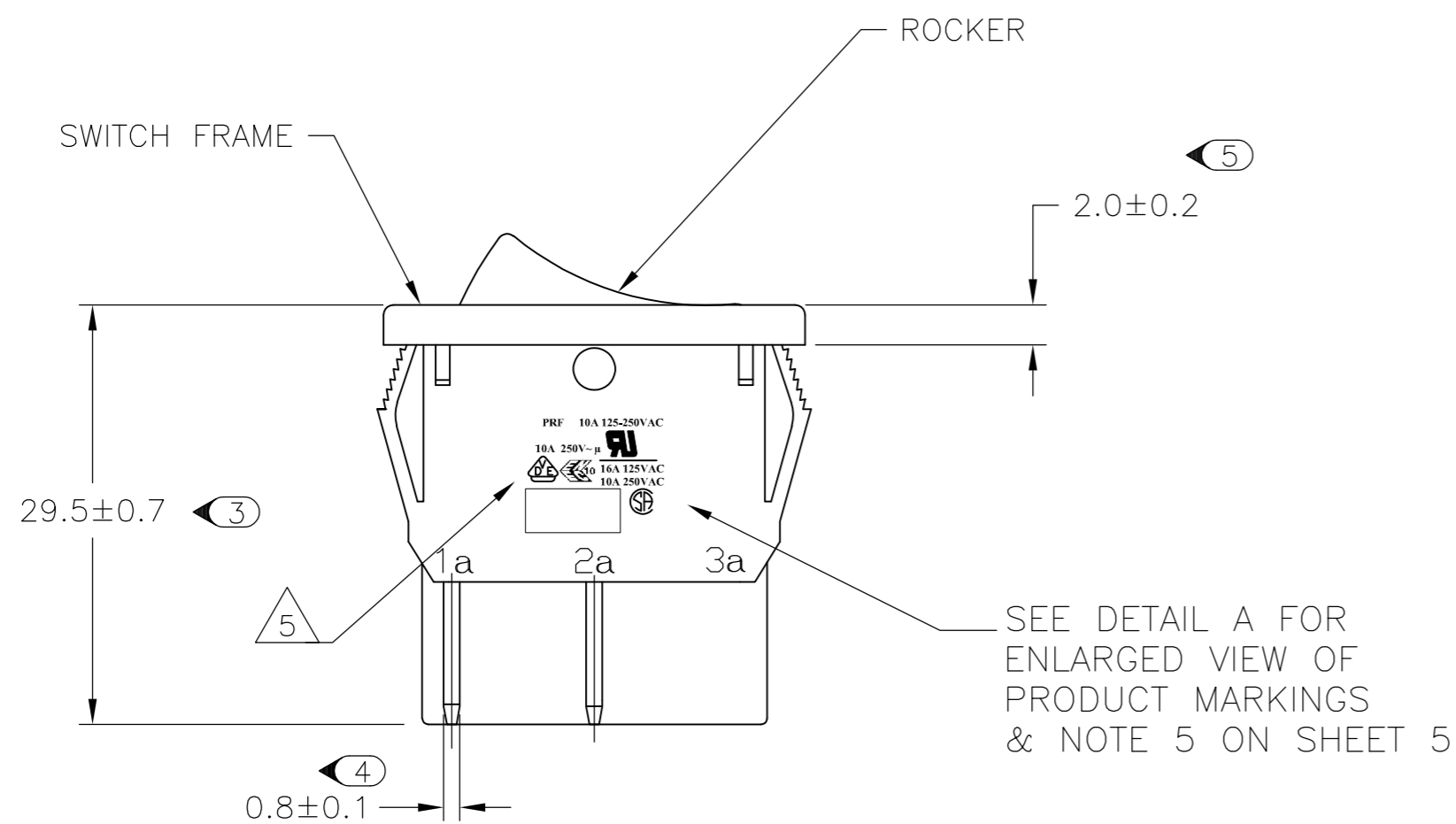
| LOC |     | DIST                      |         | REVISIONS |      |  |  |
|-----|-----|---------------------------|---------|-----------|------|--|--|
| P   | LTR | DESCRIPTION               | DATE    | DWN       | APVD |  |  |
| D   |     | REVISED PER ECO-10-025607 | 21DEC10 | HMR       | MW   |  |  |



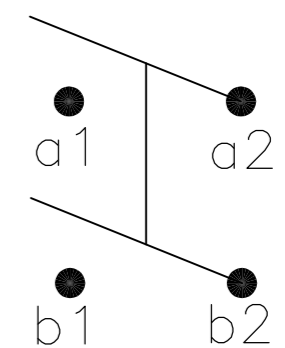
PANEL CUT OUT



|                 |       |       |
|-----------------|-------|-------|
| 2.00-3.00       | 30.20 | 22.20 |
| 1.25-2.00       | 30.20 | 22.20 |
| 0.75-1.25       | 30.20 | 22.20 |
| PANEL THICKNESS | X     | Y     |



CIRCUIT DIAGRAM



PRODUCT MARKING

DETAIL A

**PRF 10A 125-250VAC**  
**10A 250V~μ**   
**16A 125VAC**  
**10A 250VAC**

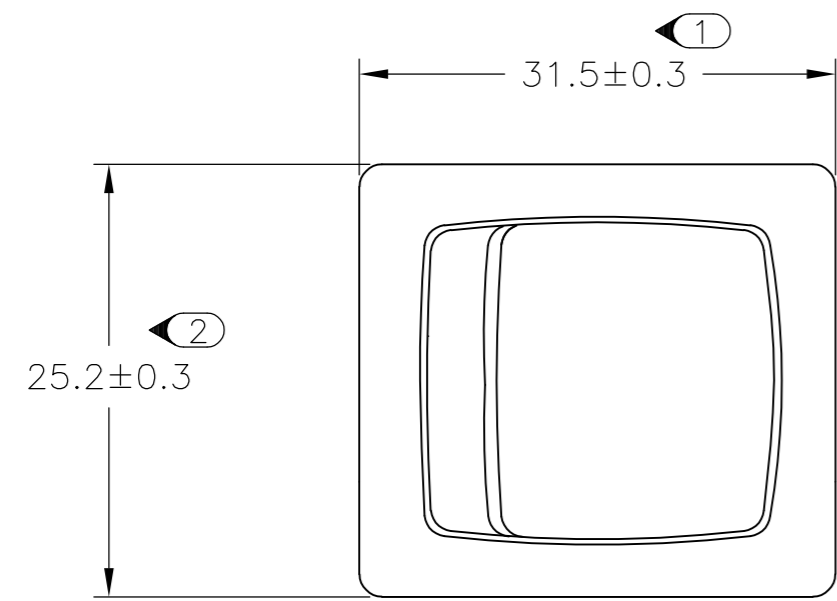
TYCO ELECTRONICS LOGO   
 PER TEC-202-36

1634201-2 SHOWN ON-OFF

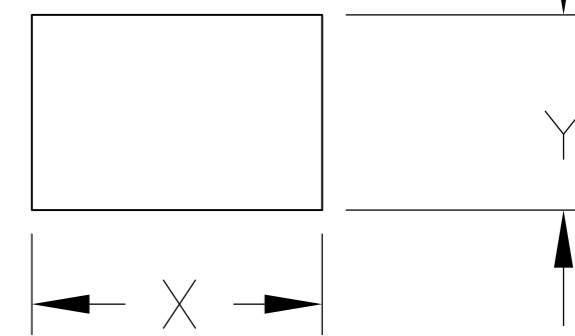
| THIS DRAWING IS A CONTROLLED DOCUMENT. |       | DWN              | 28JAN2003 | Tyco Electronics Corporation                                   |               |
|--|-------|------------------|-----------|--|---------------|
| DIMENSIONS: MM                         |       | S.SHACKSON       | 28JAN2003 | Harrisburg, PA 17057   |               |
| TOLERANCES UNLESS OTHERWISE SPECIFIED: |       | CHK              | 28JAN2003 | NAME   |               |
| 0 PLC                                  | ± -   | H.KAUTZ          | 28JAN2003 | POWER ROCKER SWITCH, 30.2mm X 22.2mm                           |               |
| 1 PLC                                  | ± 0.5 | APVD             | 28JAN2003 | PANEL CUT-OUT SIZE, DOUBLE POLE, SINGLE THROW, NON-ILLUMINATED |               |
| 2 PLC                                  | ±     | PRODUCT SPEC     |           | SIZE   | RESTRICTED TO |
| 3 PLC                                  | ±     | APPLICATION SPEC |           | A2   | -             |
| 4 PLC                                  | ±     |                  |           | CAGE CODE  |               |
| ANGLES                                 | ± -   |                  |           | 00779  |               |
| FINISH                                 | ± -   |                  |           | DRAWING NO   |               |
|  |       |                  |           | C=1634201  |               |
| MATERIAL                               |       |                  |           | SCALE  |               |
|  |       |                  |           | 3:1  |               |
|  |       |                  |           | SHEET  |               |
|  |       |                  |           | 1 OF 5   |               |
|  |       |                  |           | REV  |               |
|  |       |                  |           | D  |               |

THIS DRAWING IS UNPUBLISHED. RELEASED FOR PUBLICATION 30/OCT ,2003.  
 © COPYRIGHT 2003 BY TYCO ELECTRONICS CORPORATION. ALL RIGHTS RESERVED.

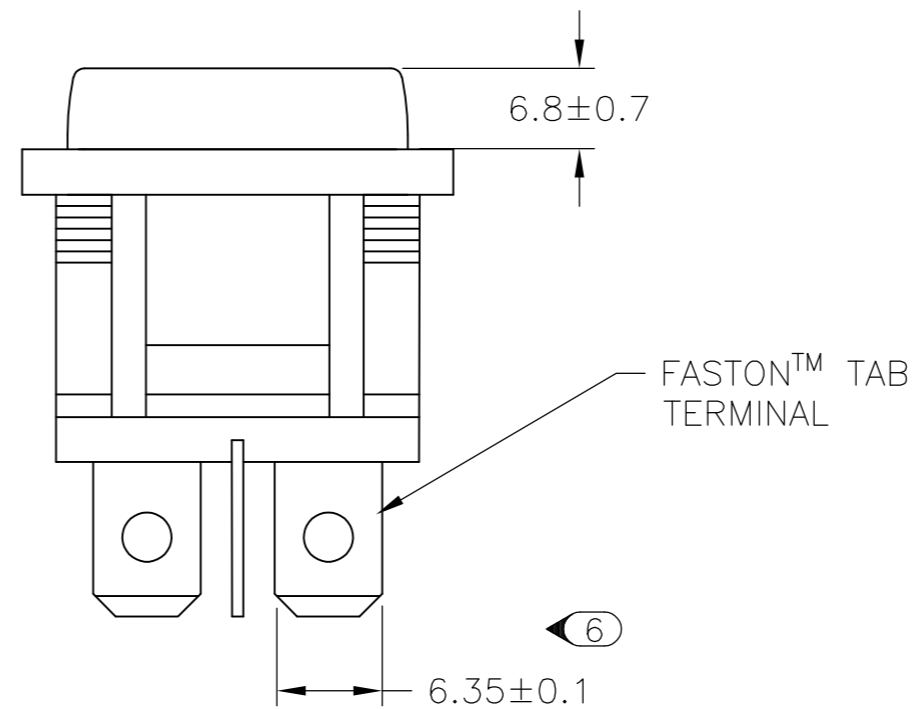
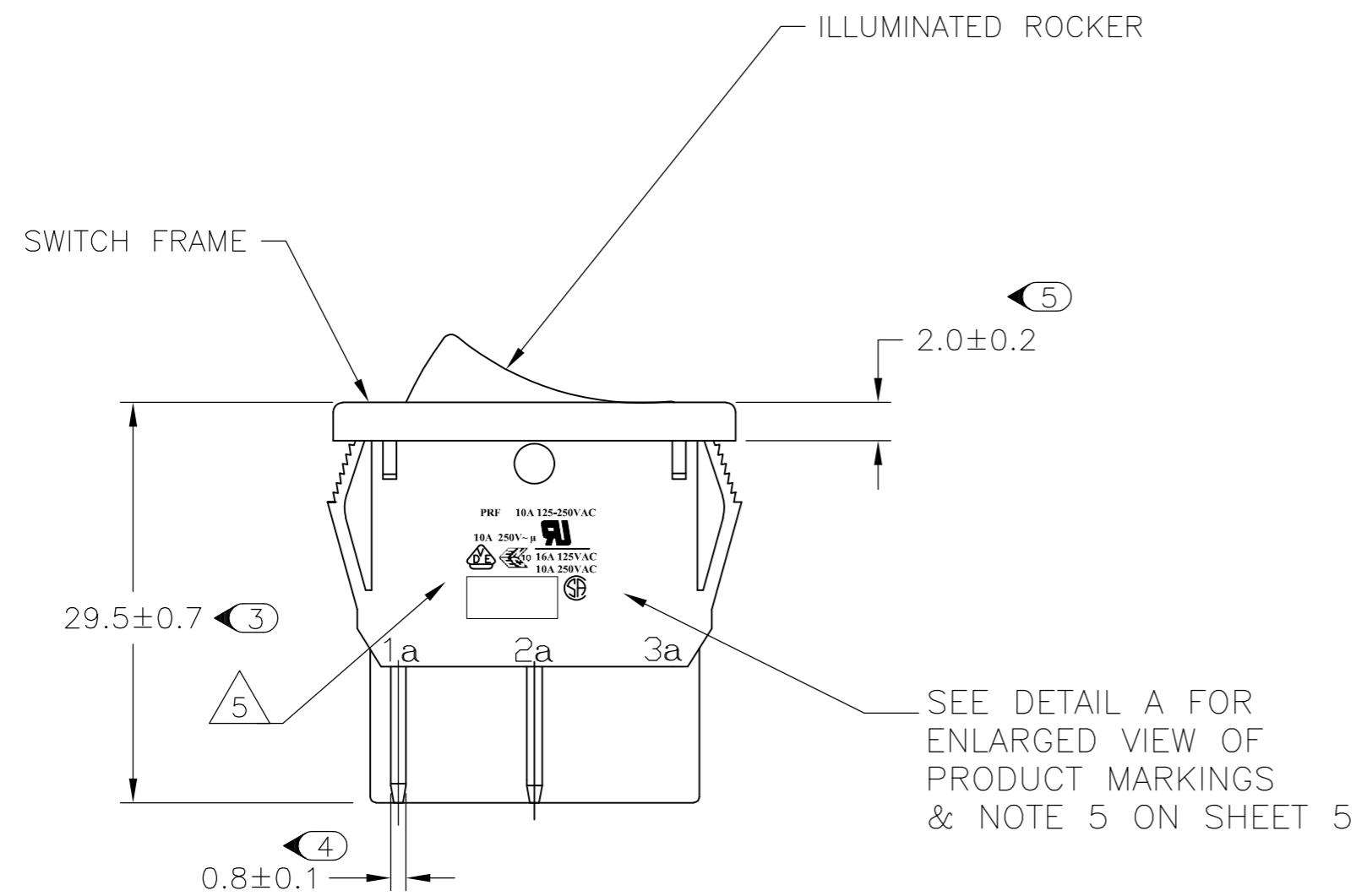
| LOC | DIST | REVISIONS |     |             |      |     |      |
|-----|------|-----------|-----|-------------|------|-----|------|
| E   | B    | P         | LTR | DESCRIPTION | DATE | DWN | APVD |
|     |      | -         |     | SEE SHEET 1 |      | -   | -    |



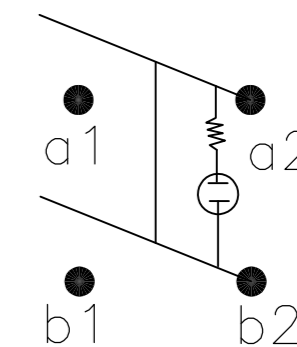
PANEL CUT OUT



|                 |       |       |
|-----------------|-------|-------|
| 2.00-3.00       | 30.20 | 22.20 |
| 1.25-2.00       | 30.20 | 22.20 |
| 0.75-1.25       | 30.20 | 22.20 |
| PANEL THICKNESS | X     | Y     |

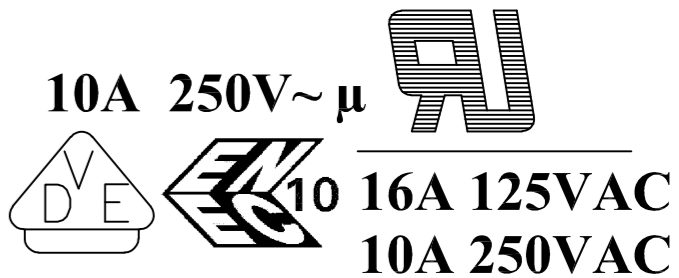


CIRCUIT DIAGRAM



PRODUCT MARKING  
DETAIL A

PRF 10A 125-250VAC



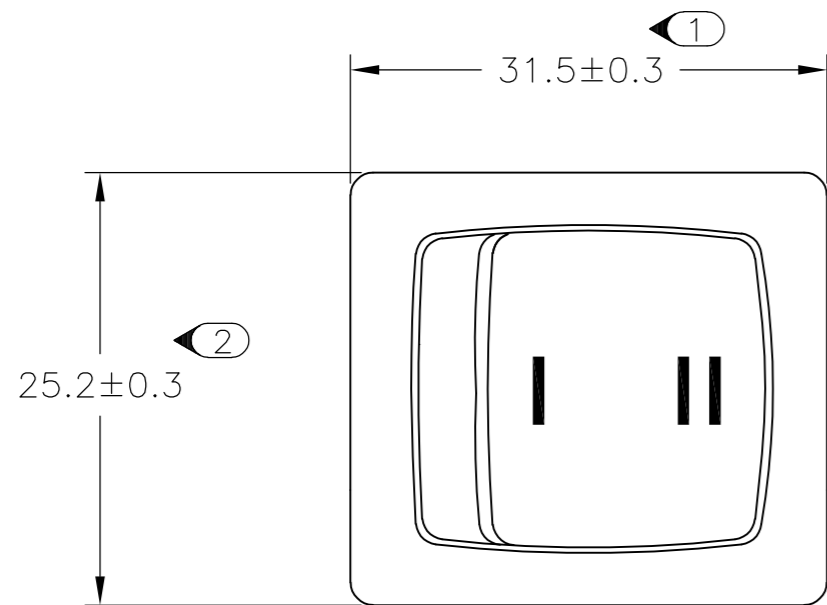
TYCO ELECTRONICS LOGO PER TEC-202-36

1634201-5 SHOWN ON-OFF GREEN ILLUMINATED

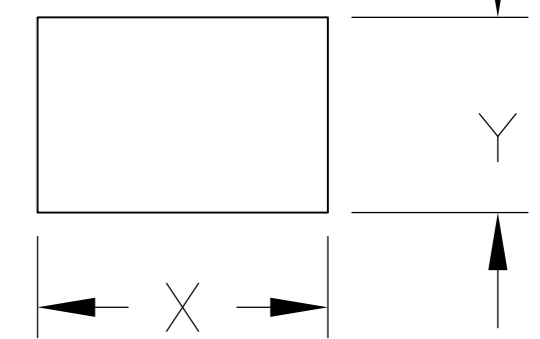
| THIS DRAWING IS A CONTROLLED DOCUMENT. |       | DWN              | 28JAN2003 | Tyco Electronics Corporation                                   |           |
|--|-------|------------------|-----------|--|-----------|
| DIMENSIONS: MM                         |       | S.SHACKSON       |           | Harrisburg, PA 17057   |           |
| TOLERANCES UNLESS OTHERWISE SPECIFIED: |       | CHK              | 28JAN2003 | NAME   |           |
| 0 PLC                                  | ± -   | H.KAUTZ          |           | POWER ROCKER SWITCH, 30.2mm X 22.2mm                           |           |
| 1 PLC                                  | ± 0.5 | APVD             | 28JAN2003 | PANEL CUT-OUT SIZE, DOUBLE POLE, SINGLE THROW, NON-ILLUMINATED |           |
| 2 PLC                                  | ±     | PRODUCT SPEC     |           | SIZE   | CAGE CODE |
| 3 PLC                                  | ± -   | APPLICATION SPEC |           | A2   | 00779     |
| 4 PLC                                  | ± -   |                  |           | DRAWING NO   | C=1634201 |
| ANGLES                                 | ± -   |                  |           | RESTRICTED TO  | -         |
| FINISH                                 | ± -   |                  |           | SCALE  | 3:1       |
| MATERIAL                               |       |                  |           | SHEET  | 2 OF 5    |
|  |       |                  |           | REV  | D         |
|  |       |                  |           | CUSTOMER DRAWING   |           |

THIS DRAWING IS UNPUBLISHED. RELEASED FOR PUBLICATION 30/OCT ,2003.  
 © COPYRIGHT 2003 BY TYCO ELECTRONICS CORPORATION. ALL RIGHTS RESERVED.

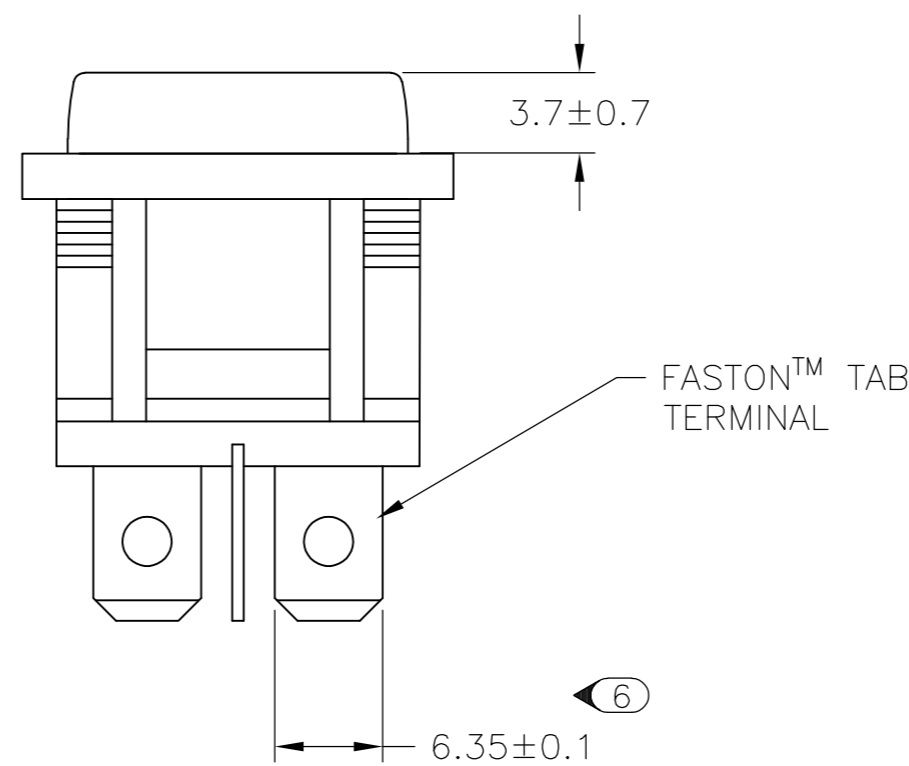
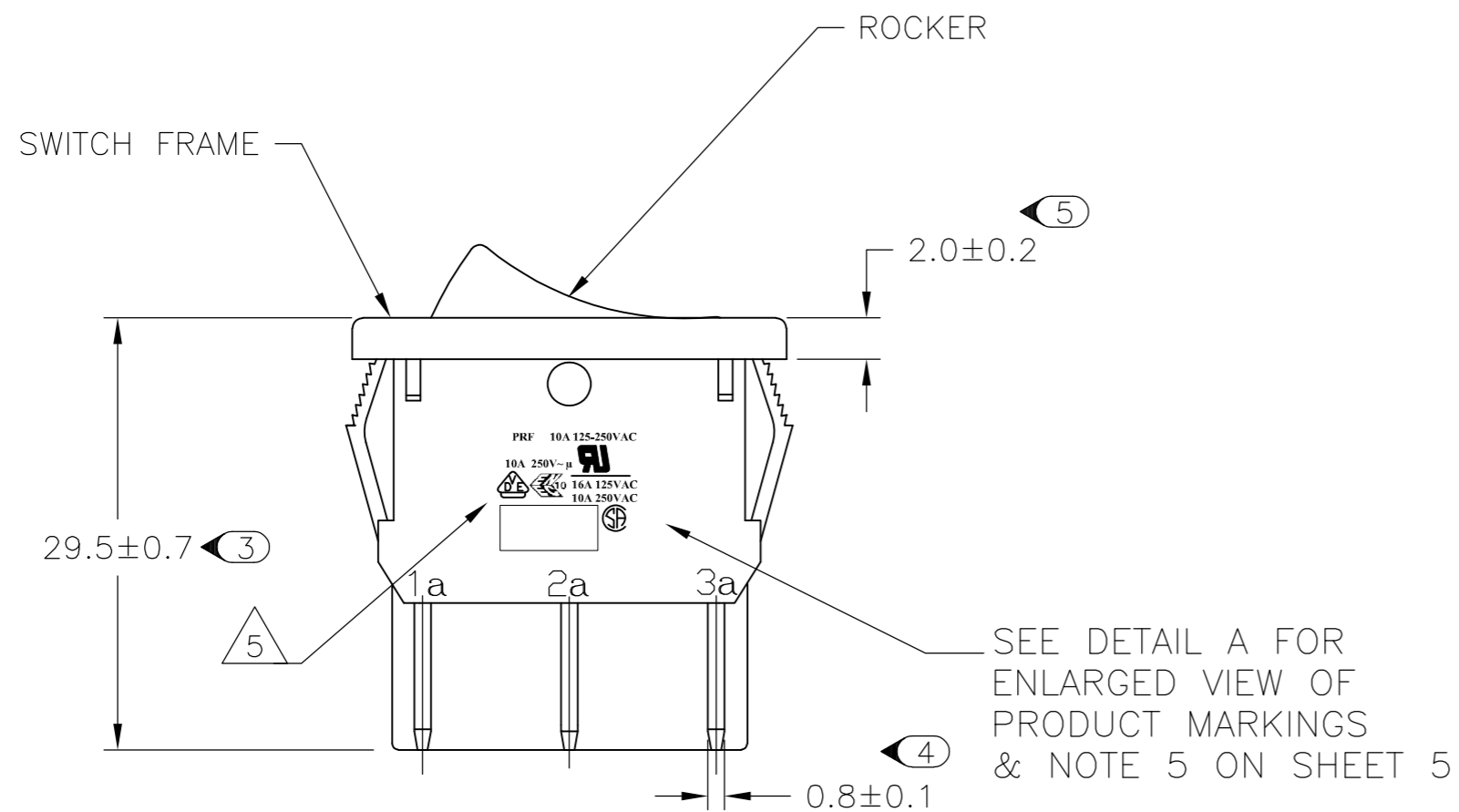
| LOC | DIST | REVISIONS |     |             |      |     |      |
|-----|------|-----------|-----|-------------|------|-----|------|
| E   | B    | P         | LTR | DESCRIPTION | DATE | DWN | APVD |
|     |      | -         |     | SEE SHEET 1 |      | -   | -    |



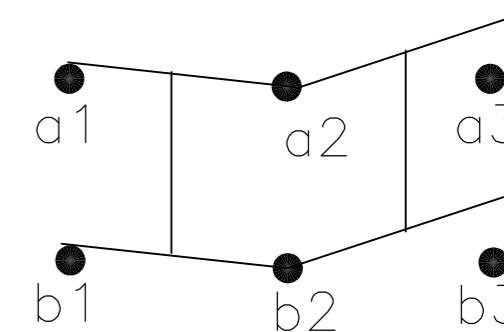
PANEL CUT OUT



|                 |       |       |
|-----------------|-------|-------|
| 2.00-3.00       | 30.20 | 22.20 |
| 1.25-2.00       | 30.20 | 22.20 |
| 0.75-1.25       | 30.20 | 22.20 |
| PANEL THICKNESS | X     | Y     |



CIRCUIT DIAGRAM



PRODUCT MARKING

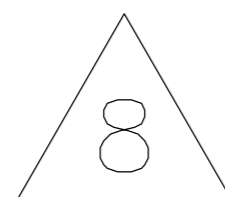
DETAIL A

PRF 10A 125-250VAC

10A 250V~μ

16A 125VAC  
10A 250VAC

TYCO ELECTRONICS LOGO PER TEC-202-36



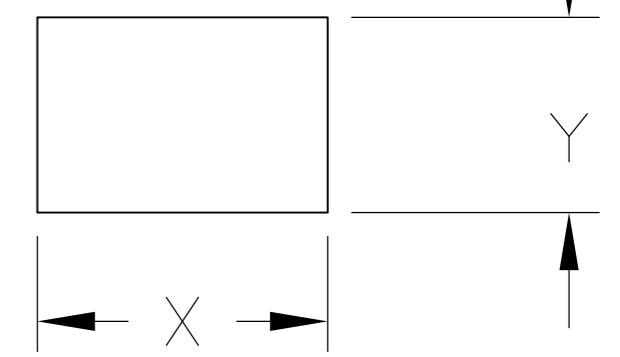
1634201-8 SHOWN ON-ON

| THIS DRAWING IS A CONTROLLED DOCUMENT. |  | DWN              | 28JAN2003      | Tyco Electronics Corporation<br>Harrisburg, PA 17057  |
|--|--|------------------|----------------|---|
| DIMENSIONS: MM                         |  | S.SHACKSON       | 28JAN2003      |   |
| TOLERANCES UNLESS OTHERWISE SPECIFIED: |  | CHK              | H.KAUTZ        | NAME<br>POWER ROCKER SWITCH, 30.2mm X 22.2mm<br>PANEL CUT-OUT SIZE, DOUBLE POLE, SINGLE THROW,<br>NON-ILLUMINATED |
| 0 PLC ± -                              |  | APVD             | H.KAUTZ        |   |
| 1 PLC ± 0.5                            |  | PRODUCT SPEC     | NOT APPLICABLE | SIZE  |
| 2 PLC ±                                |  | APPLICATION SPEC | NOT APPLICABLE | CAGE CODE   |
| 3 PLC ± -                              |  | WEIGHT           | -              | DRAWING NO  |
| 4 PLC ± -                              |  | FINISH           |                | RESTRICTED TO   |
| ANGLES ± -                             |  | CUSTOMER DRAWING |                | A2 00779 C=1634201  |
| SCALE 3:1                              |  | SHEET 3 OF 5     | REV D          |   |

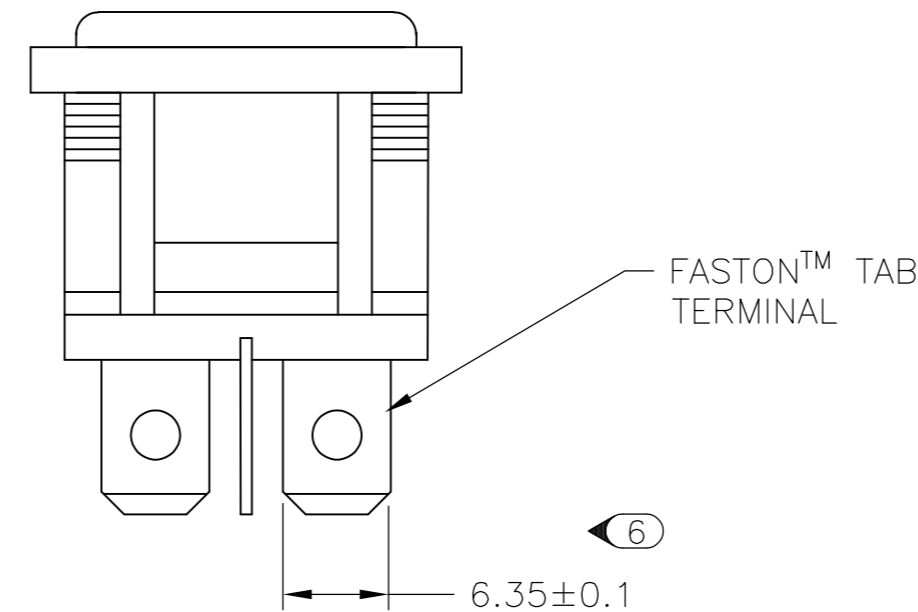
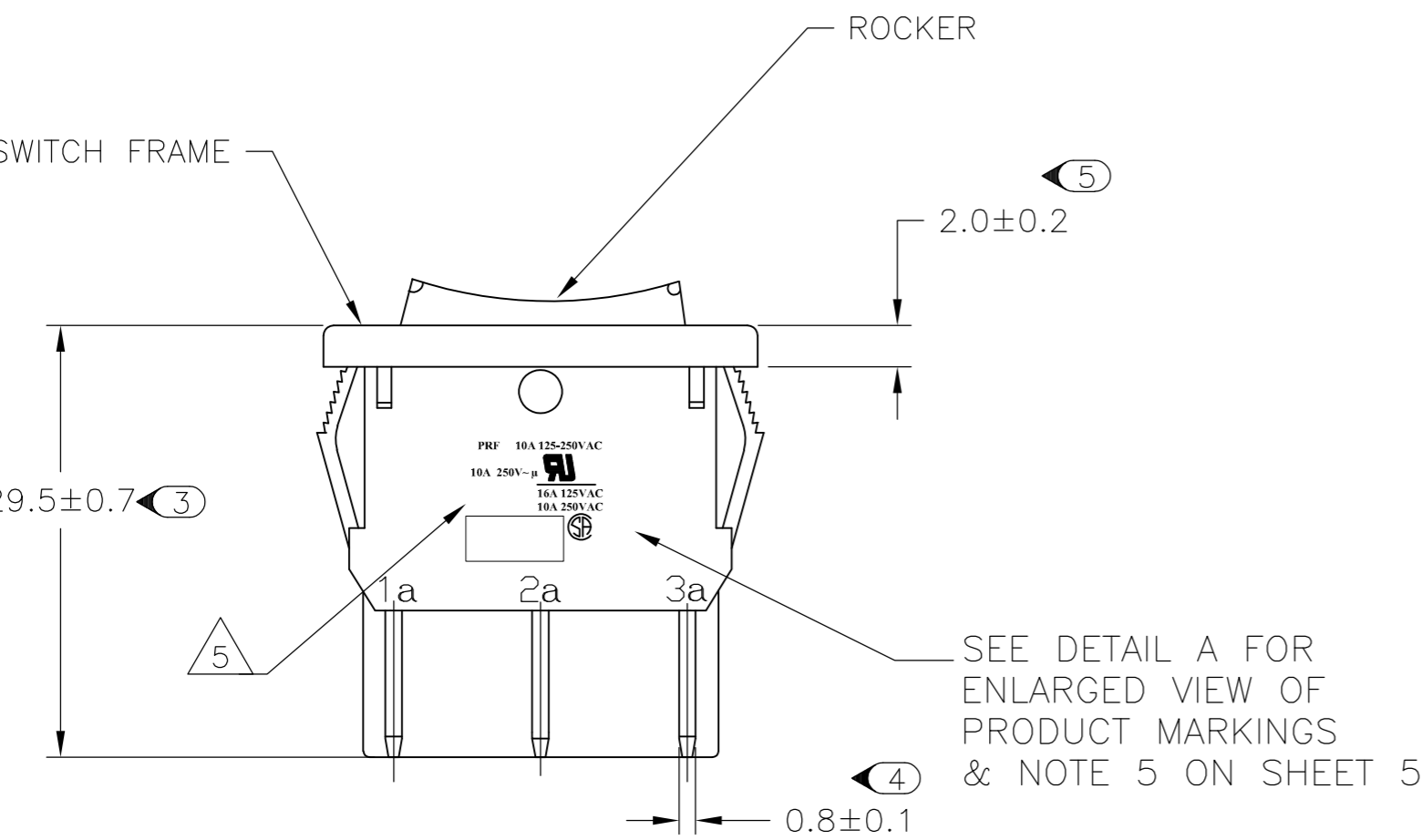
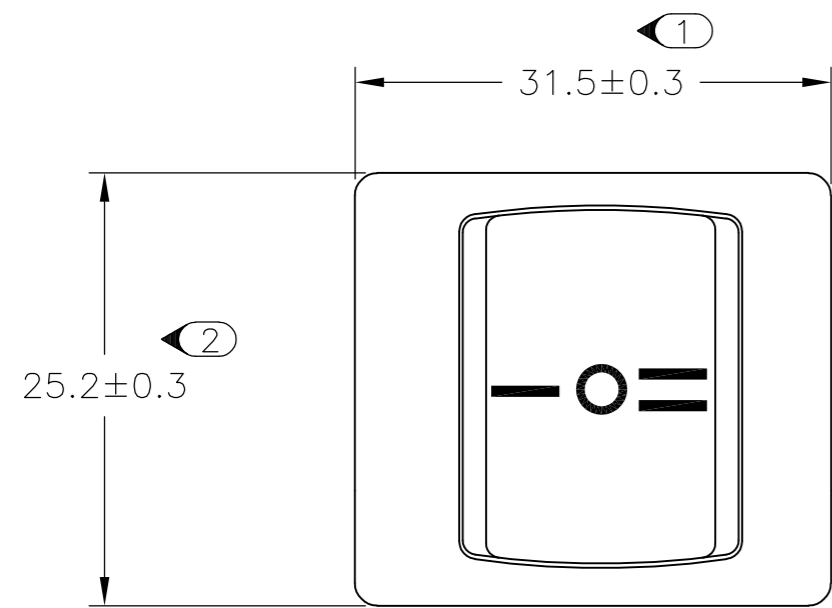
THIS DRAWING IS UNPUBLISHED. RELEASED FOR PUBLICATION 30/OCT ,2003.  
 © COPYRIGHT 2003 BY TYCO ELECTRONICS CORPORATION. ALL RIGHTS RESERVED.

| LOC | DIST | REVISIONS |     |             |      |     |      |
|-----|------|-----------|-----|-------------|------|-----|------|
| E   | B    | P         | LTR | DESCRIPTION | DATE | DWN | APVD |
|     |      | -         |     | SEE SHEET 1 |      | -   | -    |

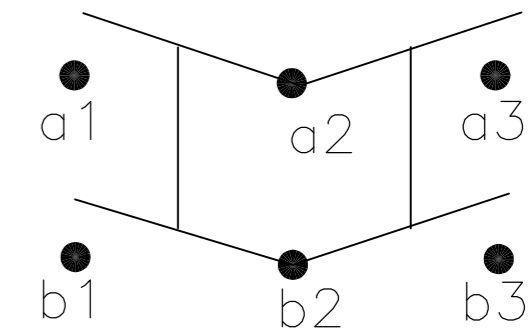
### PANEL CUT OUT




|                 |       |       |
|-----------------|-------|-------|
| 2.00-3.00       | 30.20 | 22.20 |
| 1.25-2.00       | 30.20 | 22.20 |
| 0.75-1.25       | 30.20 | 22.20 |
| PANEL THICKNESS | X     | Y     |



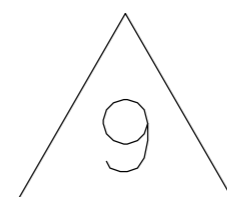
### CIRCUIT DIAGRAM



### PRODUCT MARKING DETAIL A

**PRF 10A 125-250VAC**  
**10A 250V~μ**   
**16A 125VAC**  
**10A 250VAC**

TYCO ELECTRONICS LOGO  
PER TEC-202-36



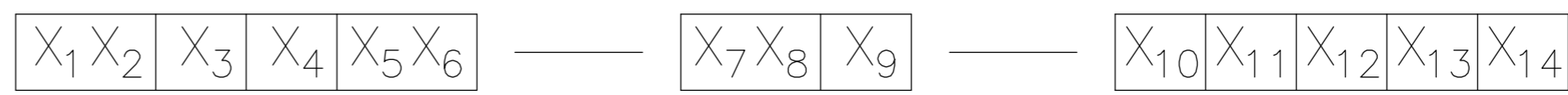
1-1634201-2 SHOWN ON-OFF-ON

| THIS DRAWING IS A CONTROLLED DOCUMENT. |       | DWN              | 28JAN2003 | Tyco Electronics Corporation                                   |            |
|--|-------|------------------|-----------|--|------------|
| DIMENSIONS: MM                         |       | CHK              | 28JAN2003 | Harrisburg, PA 17057   |            |
| TOLERANCES UNLESS OTHERWISE SPECIFIED: |       | APVD             | 28JAN2003 | NAME   |            |
| 0 PLC                                  | ± -   | PRODUCT SPEC     |           | POWER ROCKER SWITCH, 30.2mm X 22.2mm                           |            |
| 1 PLC                                  | ± 0.5 | APPLICATION SPEC |           | PANEL CUT-OUT SIZE, DOUBLE POLE, SINGLE THROW, NON-ILLUMINATED |            |
| 2 PLC                                  | ±     | WEIGHT           | -         | SIZE   | CAGE CODE  |
| 3 PLC                                  | ± -   | FINISH           |           | A2   | 00779      |
| 4 PLC                                  | ± -   |                  |           | SCALE  | DRAWING NO |
| ANGLES                                 | ± -   |                  |           | 3:1  | C=1634201  |
|  |       |                  |           | SHEET  | OF         |
|  |       |                  |           | 4  | 5          |
|  |       |                  |           | REV  | D          |
| MATERIAL                               |       | CUSTOMER DRAWING |           | RESTRICTED TO  |            |

THIS DRAWING IS UNPUBLISHED. RELEASED FOR PUBLICATION 30/OCT ,2003.  
 © COPYRIGHT 2003 BY TYCO ELECTRONICS CORPORATION. ALL RIGHTS RESERVED.

| LOC | DIST | REVISIONS   |      |     |      |
|-----|------|-------------|------|-----|------|
| P   | LTR  | DESCRIPTION | DATE | DWN | APVD |
|     |      | SEE SHEET 1 |      |     |      |

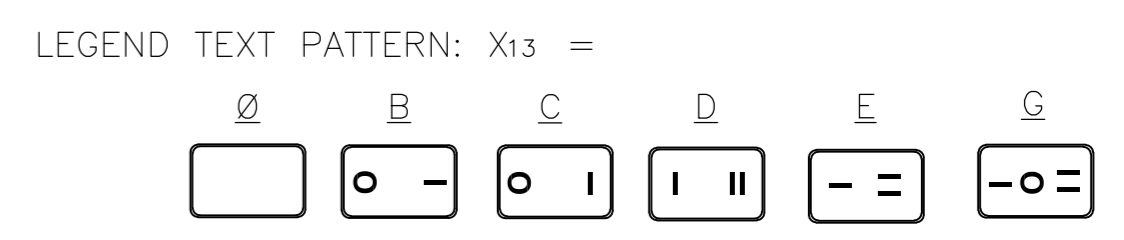
### ALCOSWITCH PART NUMBER



- 1 MATERIALS:  
HOUSING FRAME: NYLON 66.  
ACTUATOR: NYLON 66/ PC(ILLUMINATED)  
TERMINALS C1100R-1/2H WITH SILVER PLATED CONTACTS AgALLOY
- 2 FINISH:  
TERMINAL, ACTIVE CONTACTOR: 1.0µm [.000039] SILVER  
PLUNGER: 3.0mm[.000118] NICKEL
- 3 ELECTRICAL SPECIFICATIONS:  
CONTACT RESISTANCE : 50m ohm Max  
DIELECTRIC STRENGTH : AC 1500V, 1 MINUTE  
OPERATION TEMPERATURE: -20°C~85°C  
INSULATION R: DC 500V 100M ohm MIN
- 4 CURRENT AND VOLTAGE 16A@125VAC/10A@250VAC
- 5 ELECTRICAL RATINGS, APPROVED AGENCY LOGOS,  
TE LOGO PER TEC-202-36 APPROXIMATELY AS SHOWN  
AND PART NUMBER CAN APPEAR ON EITHER SIDE  
(FOR FULL DETAIL SEE INDIVIDUAL DRAWING)
- 6 ON-OFF, WITH OPAQUE, SINGLE-COLOR ROCKER BUTTON.
- 7 ON-OFF, WITH TRANSPARENT, LAMP-ILLUMINATED ROCKER BUTTON.
- 8 ON-ON, WITH OPAQUE, SINGLE-COLOR ROCKER BUTTON.
- 9 ON-OFF-ON, WITH OPAQUE, SINGLE-COLOR ROCKER BUTTON.
- 10 PACKAGING TO CONFORM WITH TYCO SPEC. 107-115
- 11 REFER TO QIP DIMENSIONAL REPORT
- 12 COMPONENT RECOGNIZED TO EUROPEAN STANDARDS (ENEC, PENDING VDE).  
MARKS LICENSE No. 40006757

SWITCH TYPE: X1 X2 = PR - POWER ROCKER  
 NOMINAL PANEL CUT OUT SIZE: X3 = F - 30.2X22.2 [.1.189x.874]  
 NUMBER OF POLES: X4 = D - DOUBLE  
 SWITCH FUNCTION: X5 X6 = A1 -   
   B1 -   
   D1 -   
   D3 -   
 CURRENT RATING: X7 X8 = 16 -   
 TERMINAL TYPE: X9 = F - FASTON™ TAB  
 FRAME COLOR: X10 = B - BLACK  
                                   W - WHITE  
 ROCKER COLOR: X11 = B - BLACK  
                                   G - GREEN  
                                   R - RED  
                                   Y - YELLOW

SECONDARY ROCKER COLOR: X12 = Ø - NOT APPLICABLE  
B - BLACK  
G - GREEN  
R - RED  
W - WHITE



LEGEND TEXT COLOR: X14 = Ø - NOT APPLICABLE  
G - GREEN  
R - RED  
B - BLACK  
W - WHITE

| 1         | PRFDA 1-16F-BB000        | 0-1634201-1     |
|-----------|--------------------------|-----------------|
| 1         | PRFDA 1-16F-BB0BW        | 0-1634201-2     |
| 1         | PRFDA 1-16F-BB0CW        | 0-1634201-3     |
| 2         | PRFDB 1-16F-BR000        | 0-1634201-4     |
| 2         | PRFDB 1-16F-BG000        | 0-1634201-5     |
| 2         | PRFDB 1-16F-BY000        | 0-1634201-6     |
| 3         | PRFDD 1-16F-BB000        | 0-1634201-7     |
| 3         | PRFDD 1-16F-BB0DW        | 0-1634201-8     |
| 3         | PRFDD 1-16F-BB0EW        | 0-1634201-9     |
| 4         | PRFDD 3-16F-BB000        | 1-1634201-0     |
| 4         | PRFDD 3-16F-BB0EW        | 1-1634201-1     |
| 4         | PRFDD 3-16F-BB0GW        | 1-1634201-2     |
| SHEET REF | ALCO SWITCH PART NUMBER. | TE PART NUMBER. |

|  |             |                                 |  |   |
|--|-------------|---------------------------------|--|---|
| THIS DRAWING IS A CONTROLLED DOCUMENT. |             | DWN S.SHACKSON 28JAN2003        | Tyco Electronics Corporation<br>Harrisburg, PA 17057   |   |
| DIMENSIONS: MM                         |             | CHK H.KAUTZ 28JAN2003           | NAME POWER ROCKER SWITCH, 30.2mm X 22.2mm<br>PANEL CUT-OUT SIZE, DOUBLE POLE, SINGLE THROW,<br>NON-ILLUMINATED |   |
| TOLERANCES UNLESS OTHERWISE SPECIFIED: |             | APVD H.KAUTZ 28JAN2003          | SIZE CAGE CODE DRAWING NO RESTRICTED TO  |   |
| 0 PLC ± -                              | 1 PLC ± 0.5 | PRODUCT SPEC NOT APPLICABLE     | A2 00779 C=1634201   | - |
| 2 PLC ± -                              | 3 PLC ± -   | APPLICATION SPEC NOT APPLICABLE | SCALE 3:1 SHEET 5 OF 5 REV D   |   |
| 4 PLC ± -                              | ANGLES ± -  | WEIGHT -                        | CUSTOMER DRAWING   |   |