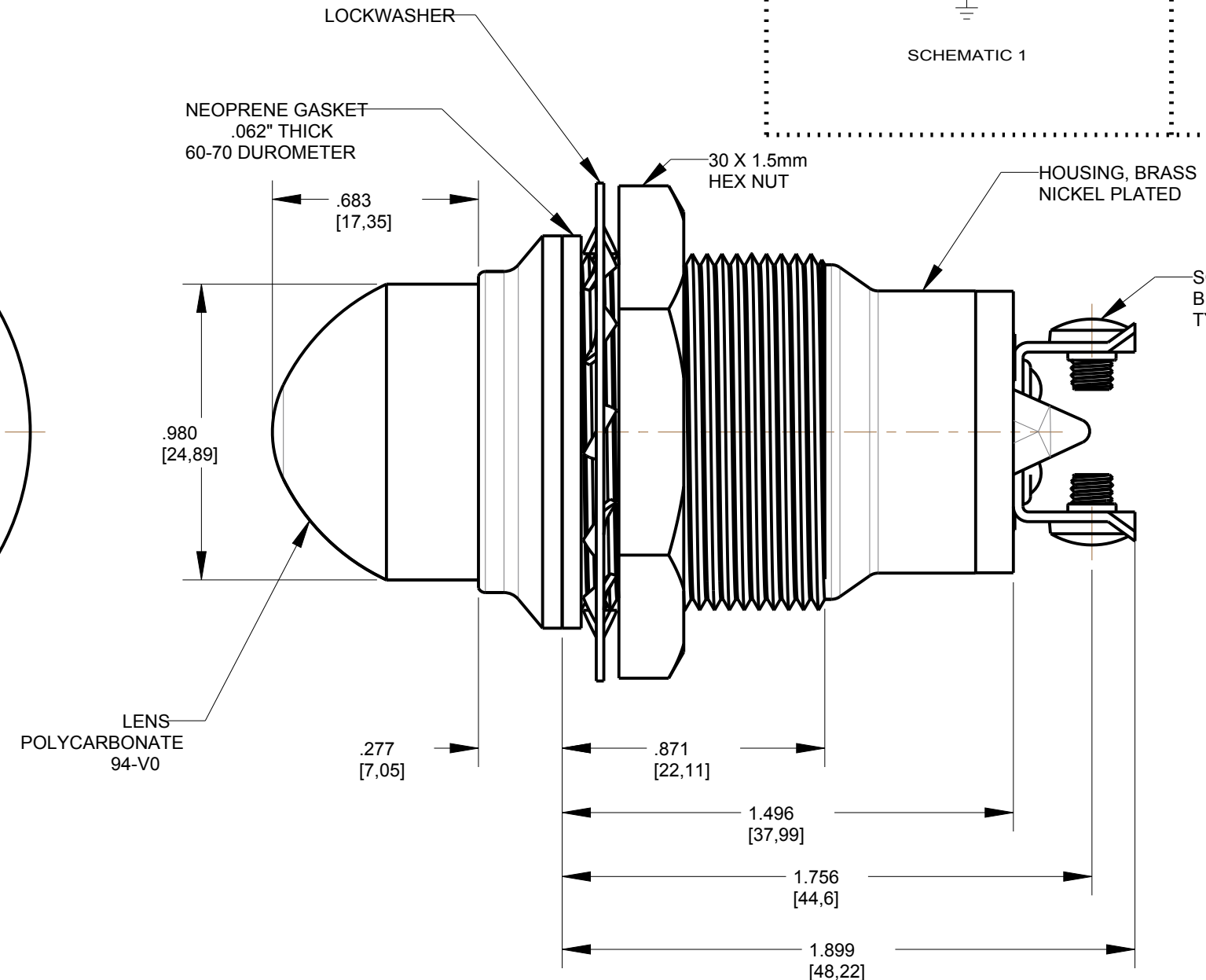
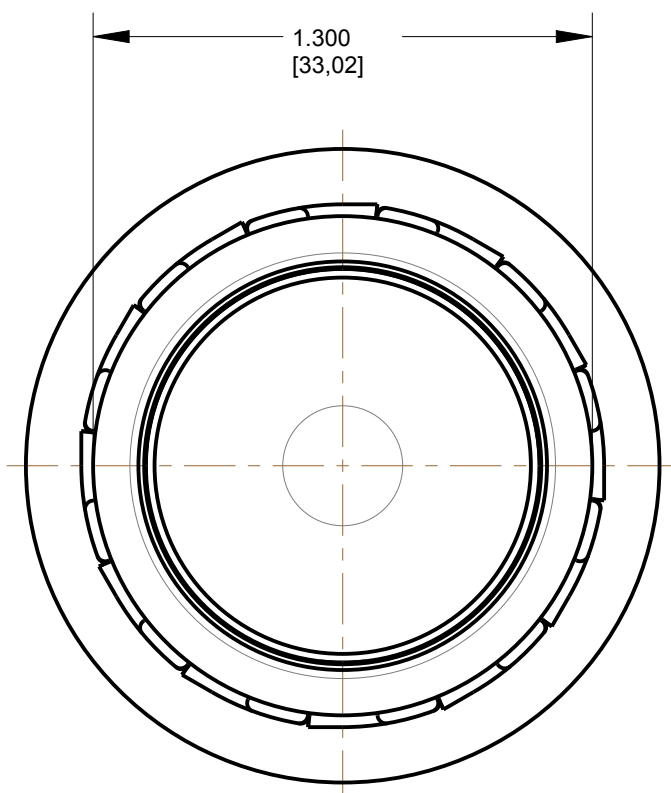
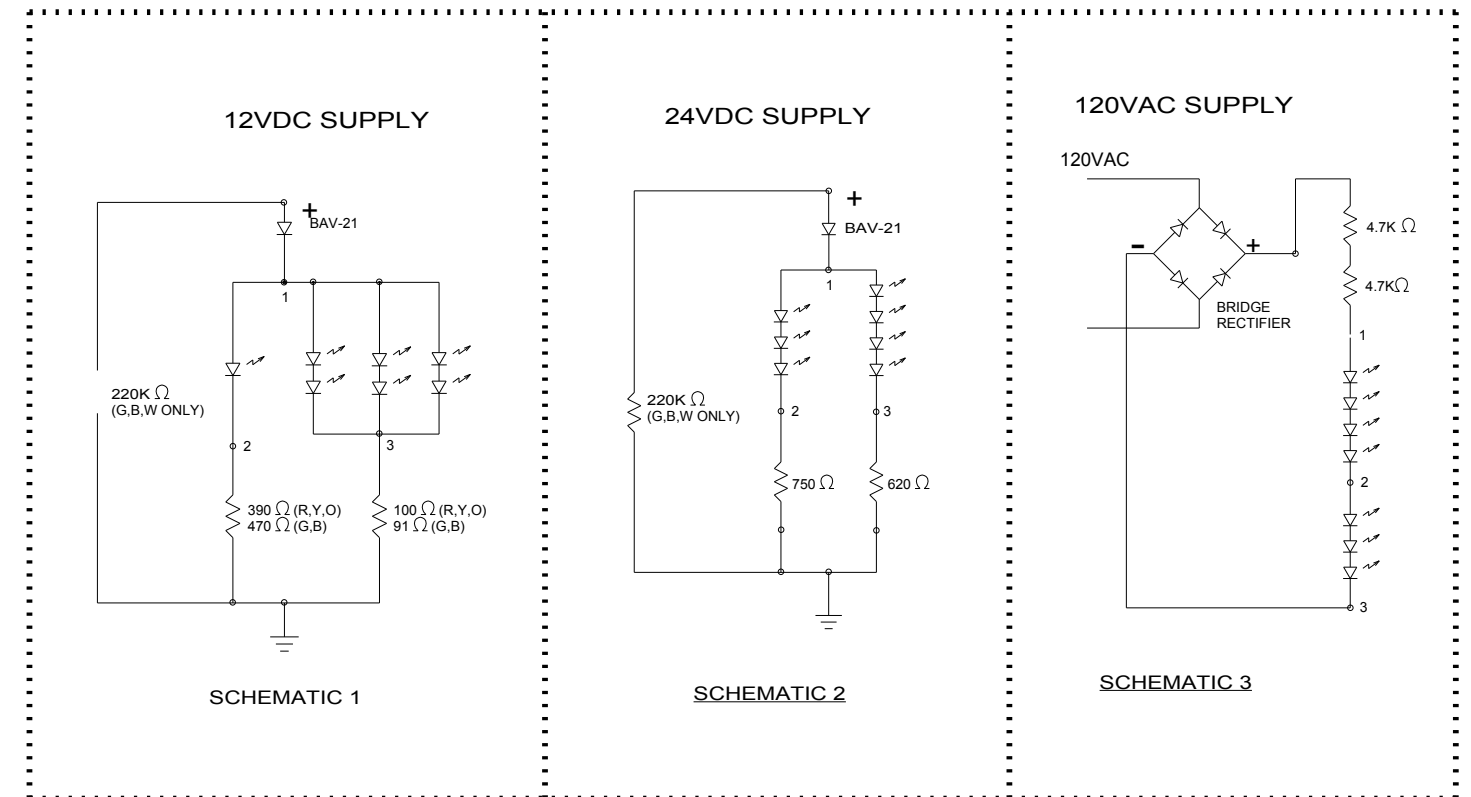


PART NUMBER	LED COLOR	NOMINAL RATING	INTENSITY @ TYP VOLTAGE	CURRENT (mA)	SCHEMATIC DIAGRAM
630-3003-304F	WHITE	12 VDC	1200	60	1
630-3004-304F	WHITE	24 VDC	1200	31	2
630-3005-304F	WHITE	120 VAC	1800	9.5	3
630-3503-304F	RED	12 VDC	1300	95	1
630-3504-304F	RED	24 VDC	1300	46	2
630-3505-304F	RED	120 VAC	500	10.5	3
630-3603-304F	GREEN	12 VDC	1800	60	1
630-3604-304F	GREEN	24 VDC	1800	32	2
630-3605-304F	GREEN	120 VAC	700	9.5	3
630-3703-304F	YELLOW	12 VDC	1300	95	1
630-3704-304F	YELLOW	24 VDC	1300	46	2
630-3705-304F	YELLOW	120 VAC	500	10.5	3
630-3803-304F	BLUE	12 VDC	480	60	1
630-3804-304F	BLUE	24 VDC	480	32	2
630-3805-304F	BLUE	120 VAC	180	9.5	3

RoHS COMPLIANT 630-3XXX-304F

Part Numbers with the "F" suffix ending are RoHS Compliant. Packaging is marked with "RoHS Compliant" label or equivalent markings.

REV	REVISIONS	DRN	CKD	DATE
A	NEW RELEASE	LD	SK	11-8-19



NOTES:

1. DIALIGHT PART NUMBER: 630-3XXX-304F
2. THIS PRODUCT IS WATER SEALED FROM FRONT OF PANEL.
3. MAXIMUM MOUNTING TORQUE: 40 IN-LBS.
4. FRONT MOUNTING IN 30mm CLEARANCE HOLE.
5. MAXIMUM PANEL THICKNESS: .375".

THIS DRAWING AND THE CONTENTS HEREIN ARE CONFIDENTIAL AND THE SOLE PROPERTY OF DIALIGHT CORP. REPRODUCTION OF THIS DRAWING OR CONSTRUCTION OF ANY PARTS WITHIN THIS DRAWING ARE FORBIDDEN WITHOUT THE WRITTEN CONSENT OF DIALIGHT CORP.		
DIALIGHT CORP INTERNAL REFERENCE ONLY = 3D MODEL : 6303XXX304F-A2		
SCALE: 2.000	DRAWING NUMBER	REV
ALL DIM's: INCH (mm)	C-17980	A
TOLERANCES: UNLESS OTHERWISE SPECIFIED	TITLE	
FRACTIONS: ±1/64	30MM DOME LED PMI W/ TERM	
DECIMALS (.XX): ±.01	MATERIAL	
DECIMALS (.XXX): ±.005	-	
DECIMALS (.XXXX): ±.0005	FINISH	
ANGLES: ±1°	-	
FSCM 83330	1501 ROUTE 34 SOUTH FARMINGDALE, NJ 07727 (732) 919-3119 www.dialight.com	
SHEET 1 OF 1	FAMILY TABLE:	