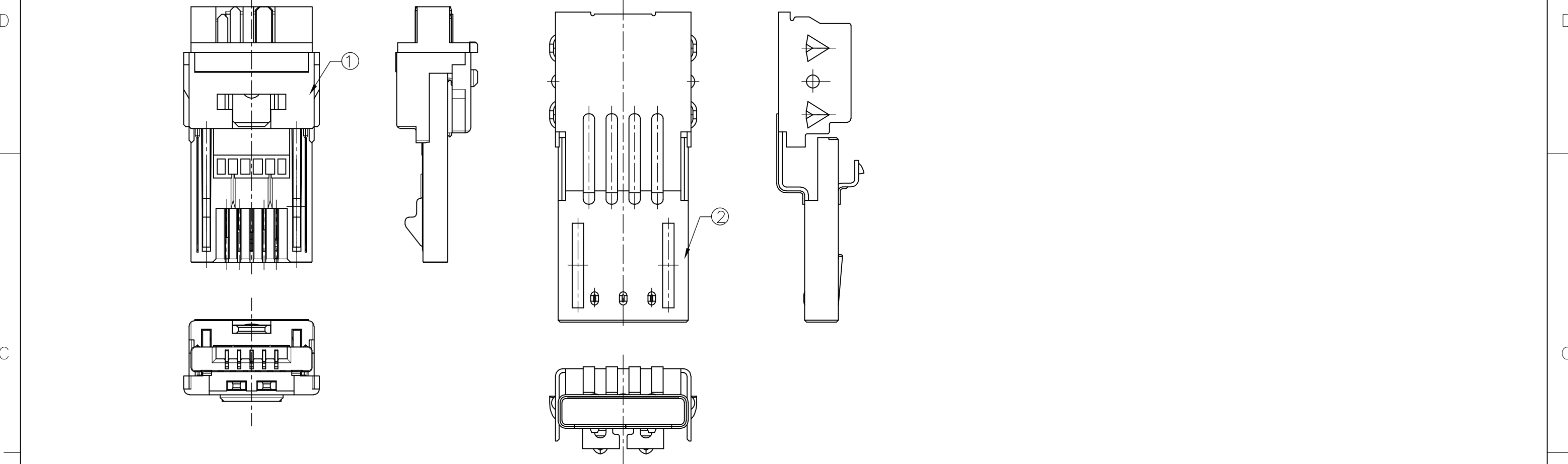
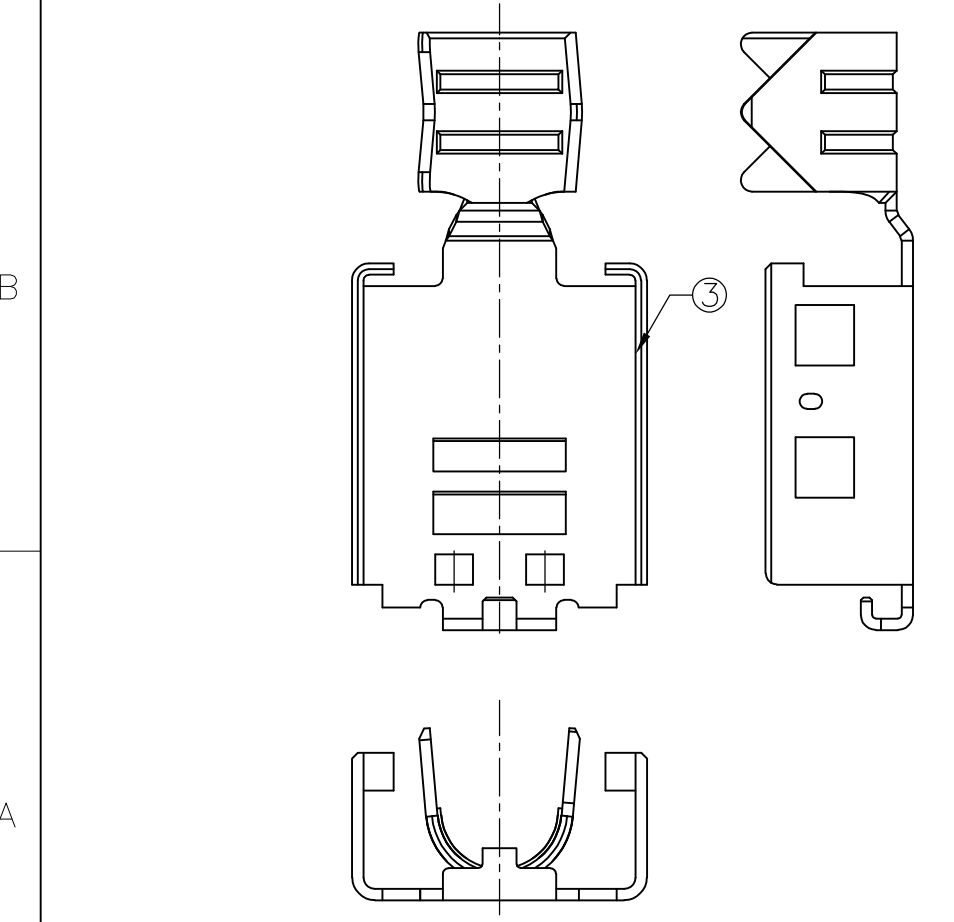


THIS DRAWING IS UNPUBLISHED. RELEASED FOR PUBLICATION .2007.
 © COPYRIGHT 2007 By - ALL RIGHTS RESERVED.

LOC	DIST	REVISIONS					
J	/	P	LTR	DESCRIPTION	DATE	DWN	APVD
		F		REVISED PER ECR-13-016179	11NOV2013	B.L	J.L



1. ITEM 2 AND 3 ARE NOT ASSEMBLED.
 2. PACKAGING QUANTITY : 550 KIT



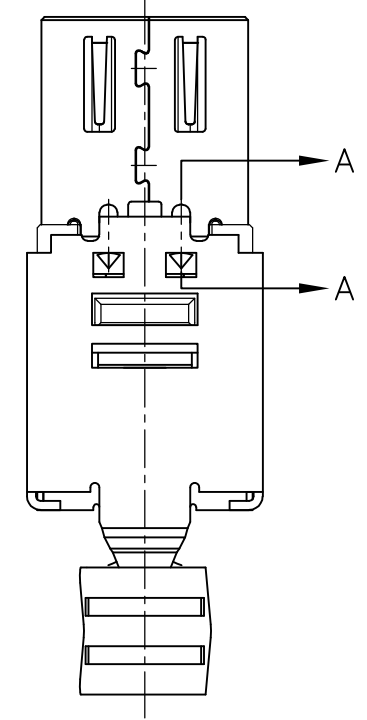
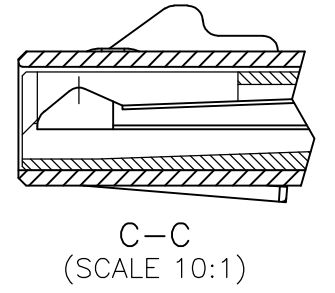
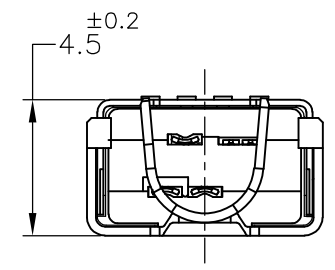
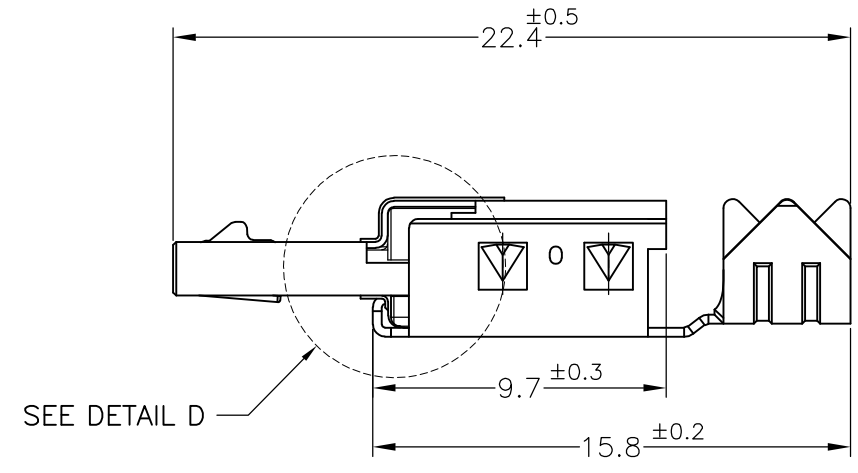
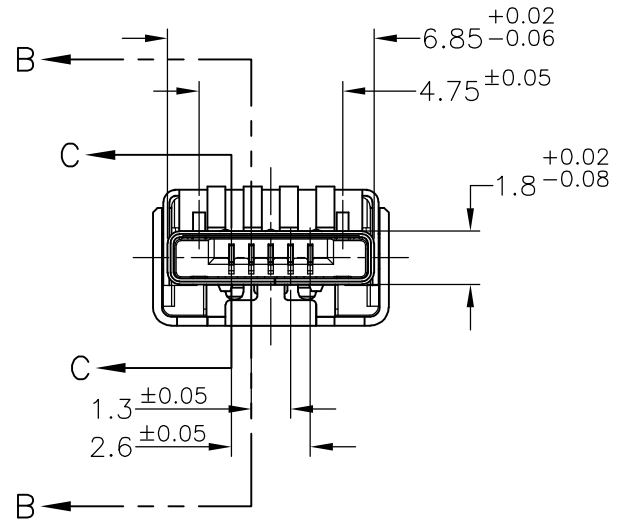
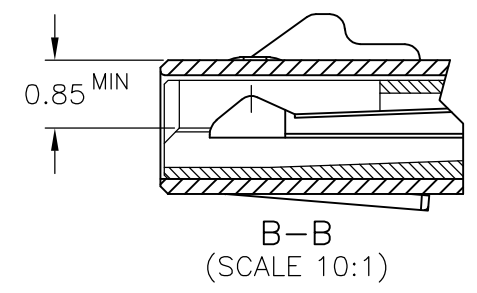
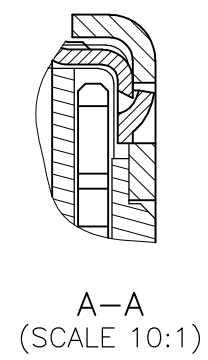
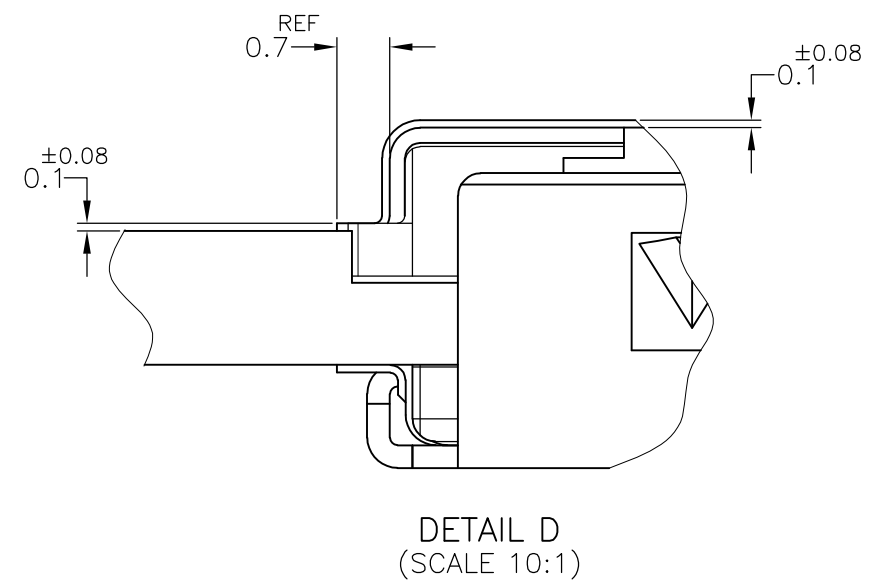
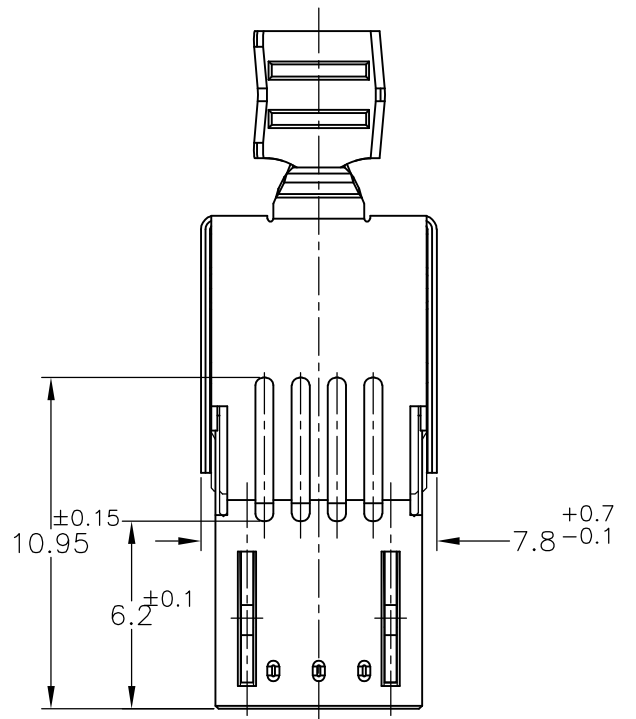
OBSOLETE	APPLICABLE CABLE DIAMETER	TOOLING STATUS	CONTACT FINISH	PART NO. FOR KIT	DESCRIPTION	PART NO.	ITEM
OBSOLETE	ø4.3	NOT AVAILABLE	SELECTIVE Au PLATED OVER Ni-Pd PLATED OVER Ni PLATED	1-1939053-3	LOWER SHELL	1-1939061-6	⑥
OBSOLETE		AVAILABLE	SELECTIVE Au PLATED OVER Ni PLATED	1-1939053-3	UPPER SHELL	1-1939059-2	②
OBSOLETE	ø3.3	NOT AVAILABLE	SELECTIVE Au PLATED OVER Ni-Pd PLATED OVER Ni PLATED	1-1939053-2	SUB ASSY	1-1939079-2	①
OBSOLETE		AVAILABLE	SELECTIVE Au PLATED OVER Ni PLATED	1-1939053-2	LOWER SHELL	1-1939061-6	③
OBSOLETE	ø2.8	NOT AVAILABLE	SELECTIVE Au PLATED OVER Ni-Pd PLATED OVER Ni PLATED	1-1939053-1	UPPER SHELL	1-1939059-2	②
OBSOLETE		AVAILABLE	SELECTIVE Au PLATED OVER Ni PLATED	1-1939053-1	SUB ASSY	1-1939079-1	①

THIS DRAWING IS A CONTROLLED DOCUMENT.

DWN	J.TSUJI	06AUG2007	 TE Connectivity	NAME T.KUSUHARA PRODUCT SPEC 製品規格 APPLICATION SPEC 取付適用規格	MICRO USB I/O PLUG TYPE A KIT
CHK	T.KUSUHARA	07AUG2007			
APVD	T.KUSUHARA	07AUG2007			
DIMENSIONS: 単位: 耗 mm			TOLERANCES UNLESS OTHERWISE SPECIFIED: 一般公差		
			0 PLC ± - 1 PLC ± - 2 PLC ± - 3 PLC ± - 4 PLC ± - ANGLES ± -		
MATERIAL 材料			FINISH 仕上		
WEIGHT			RESTRICTED TO		
CUSTOMER DRAWING			SIZE	CAGE CODE	DRAWING NO
			A3	00779	G-1939053
SCALE			SHEET	REV	
尺度 5:1			1 OF 3	F	

THIS DRAWING IS UNPUBLISHED. RELEASED FOR PUBLICATION ,2006.
 © COPYRIGHT 2006 By - ALL RIGHTS RESERVED.

LOC	DIST	REVISIONS			DATE	DWN	APVD
J	/	P	LTR	DESCRIPTION			
		-		SEE SHEET 1	-	-	-

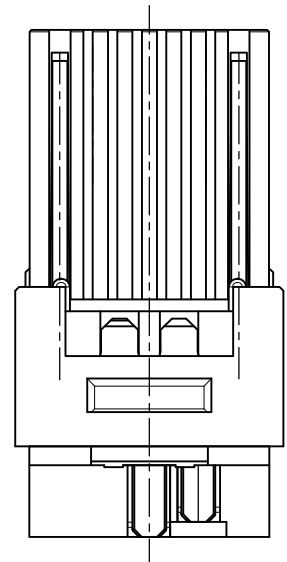
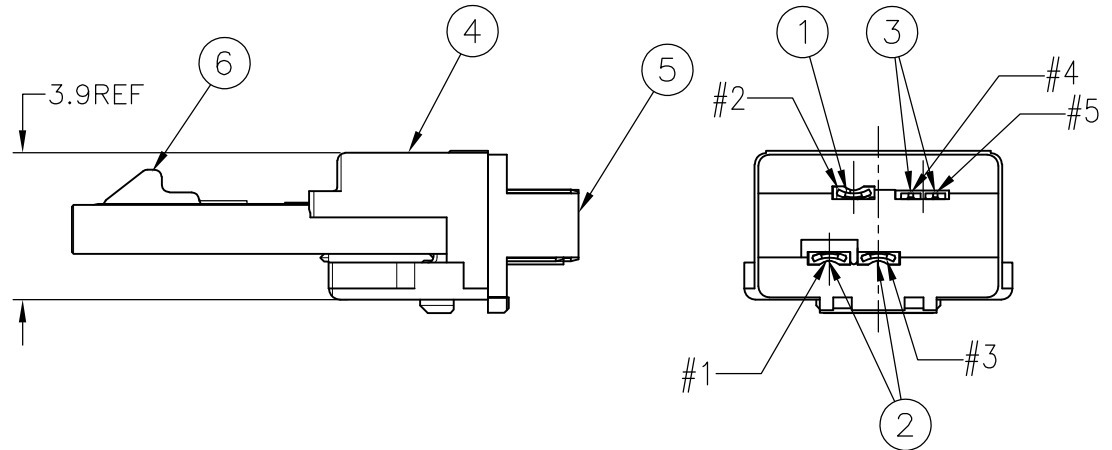
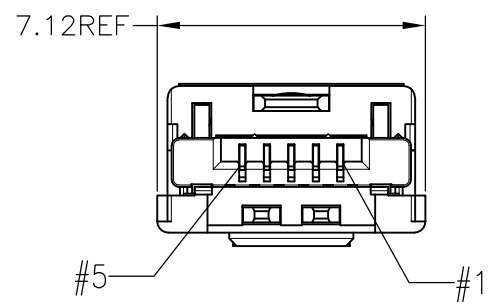
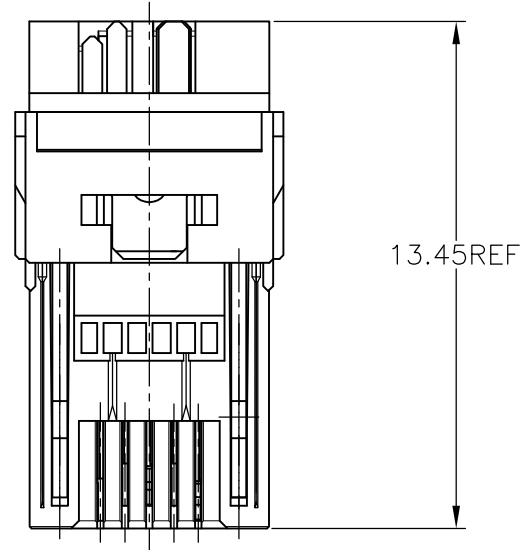


REFERENCE: SHELL ASSEMBLY

THIS DRAWING IS A CONTROLLED DOCUMENT.		DWN	-	TE Connectivity		
DIMENSIONS: 單位: 耗 mm		CHK	-			
TOLERANCES UNLESS OTHERWISE SPECIFIED: 一般公差		APVD	-	NAME 名稱		
0 PLC ± -		PRODUCT SPEC 製品規格		MICRO USB I/O PLUG TYPE A KIT		
1 PLC ± -		APPLICATION SPEC 取付適用規格		SIZE	CAGE CODE	DRAWING NO 番号
2 PLC ± -		WEIGHT		A3	00779	C-1939053
3 PLC ± -		CUSTOMER DRAWING		RESTRICTED TO		
4 PLC ± -		SCALE 尺度 4:1		SHEET 2 OF 3		
ANGLES ± -		REV F				
FINISH 仕上						
MATERIAL 材料						

THIS DRAWING IS UNPUBLISHED. RELEASED FOR PUBLICATION ,2006.
 © COPYRIGHT 2006 By - ALL RIGHTS RESERVED.

LOC	DIST	REVISIONS				
J		变更	DESCRIPTION	DATE	DWN	APVD
		P	LTR			
		-	SEE SHEET 1	-	-	-



REFERENCE: SUB ASSY

NAME	TOOLING STATUS	P/N	DESCRIPTION	PART NO.	MATERIAL	FINISH	ITEM
SUB ASSY	NOT AVAILABLE	1-1939079-2	LOCK LEVER	1981274-3	STAINLESS STEEL		⑥
			BOTTOM COVER	1981244-1	THERMO PLASTIC		⑤
			HOUSING	1939055-1	THERMO PLASTIC		④
			CONTACT C	1981214-3	COPPER ALLOY	SELECTIVE Au PLATED OVER Ni-Pd PLATED OVER Ni PLATED	③
			CONTACT B	1939058-3	COPPER ALLOY	SELECTIVE Au PLATED OVER Ni-Pd PLATED OVER Ni PLATED	②
	CONTACT A	1939057-3	COPPER ALLOY	SELECTIVE Au PLATED OVER Ni-Pd PLATED OVER Ni PLATED	①		
	AVAILABLE	1-1939079-1	LOCK LEVER	1981274-3	STAINLESS STEEL		⑥
			BOTTOM COVER	1981244-1	THERMO PLASTIC		⑤
			HOUSING	1939055-1	THERMO PLASTIC		④
			CONTACT C	1981214-2	COPPER ALLOY	SELECTIVE Au PLATED OVER Ni PLATED	③
CONTACT B			1939058-2	COPPER ALLOY	SELECTIVE Au PLATED OVER Ni PLATED	②	
CONTACT A	1939057-2	COPPER ALLOY	SELECTIVE Au PLATED OVER Ni PLATED	①			

THIS DRAWING IS A CONTROLLED DOCUMENT.

DIMENSIONS: 单位: 耗 mm

TOLERANCES UNLESS OTHERWISE SPECIFIED: 一般公差

0 PLC	± -
1 PLC	± -
2 PLC	± -
3 PLC	± -
4 PLC	± -
ANGLES	± -

MATERIAL 材料

FINISH 仕上

TE Connectivity

MICRO USB I/O PLUG TYPE A KIT

SIZE: A3 CAGE CODE: 00779 DRAWING NO: 1939053

SCALE: 5:1 SHEET: 3 of 3 REV: F

CUSTOMER DRAWING