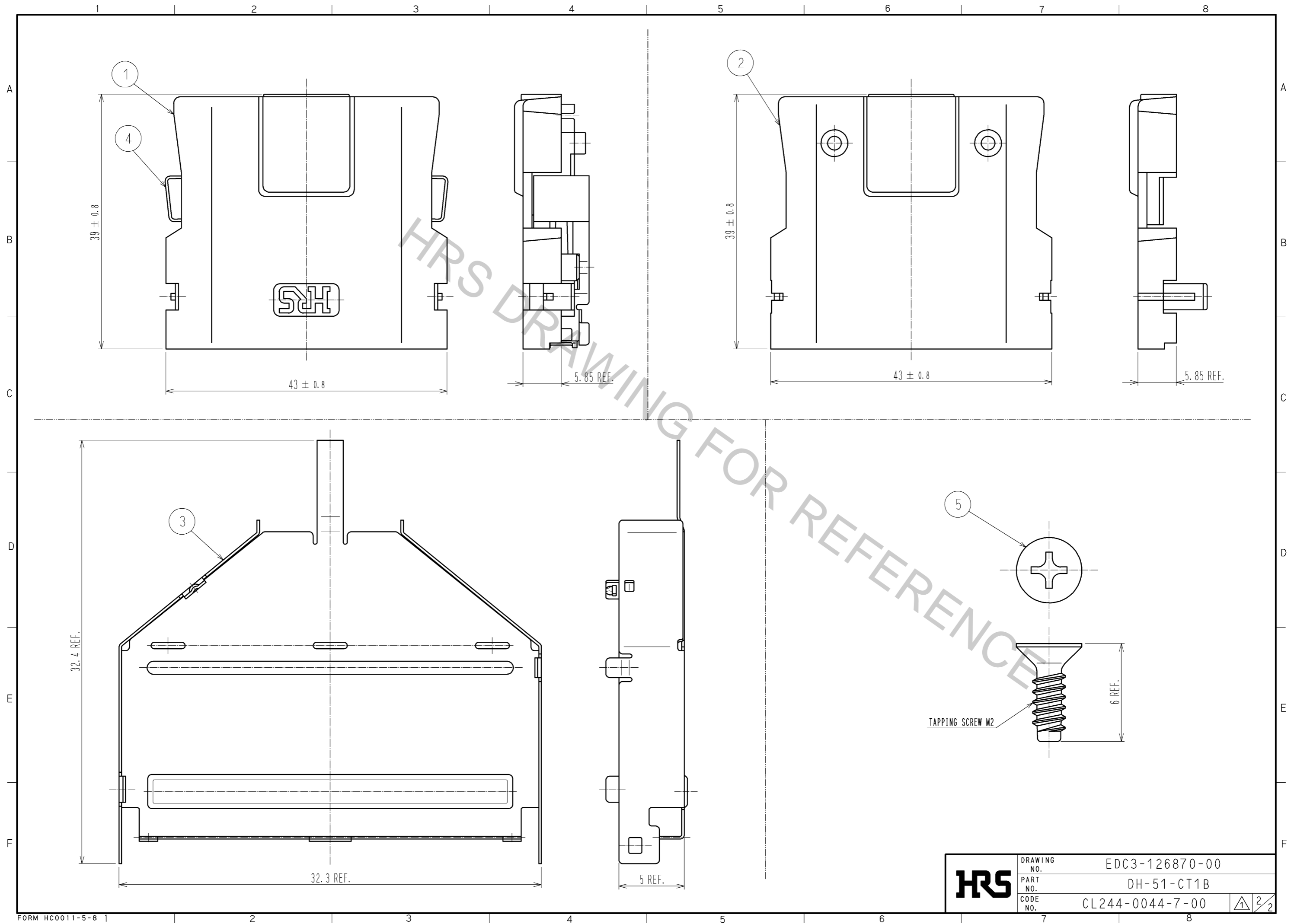


NOTE 1 THIS PRODUCT IS DELIVERED SEPARATELY.  
 2 AS SHOWN IN THE FIGURE, THIS PRODUCT SHALL BE USED ASSEMBLED TO A CONNECTOR UNIT 'DH3\*B-51S'.  
 A CLAMP 'DH-51-CMB(9.6)' IS NEEDED WHEN ASSEMBLING THE UNIT.  
 3 A RECOMMENDED SCREW TIGHTENING FOR COVERS TO BE FROM 0.1 TO 0.15 N · m.

2	PC	UL94V-0 BLACK	5	STEEL	TRIVALENT BLACK CHROMATE		
1			4	STAINLESS STEEL			
			3	STAINLESS STEEL	PLATING : NICKEL 0.1 μm MIN.		
NO.	MATERIAL	FINISH . REMARKS	NO.	MATERIAL	FINISH . REMARKS		
UNITS	⊕	SCALE	COUNT	DESCRIPTION OF REVISIONS	DESIGNED	CHECKED	DATE
mm		2 : 1	2	DIS-E-003061	TM. ONO	KN. ICHIKAWA	09.12.14
<b>HRS</b> HIROSE ELECTRIC CO., LTD.		APPROVED : A0. SUZUKI	09.04.28	DRAWING NO. EDC3-126870-00			
		CHECKED : KN. ICHIKAWA	09.04.28	PART NO. DH-51-CT1B			
		DESIGNED : MO. SHIMOYAMA	09.04.28	CODE NO. CL244-0044-7-00			
		DRAWN : MO. SHIMOYAMA	09.04.28			1/2	

Apr.1.2017 Copyright 2017 HIROSE ELECTRIC CO., LTD. All Rights Reserved.



<b>HRS</b>	DRAWING NO.	EDC3-126870-00
	PART NO.	DH-51-CT1B
	CODE NO.	CL244-0044-7-00
		2/2