

Global Change Notification (GCN)

Product Family HDAC 10632646

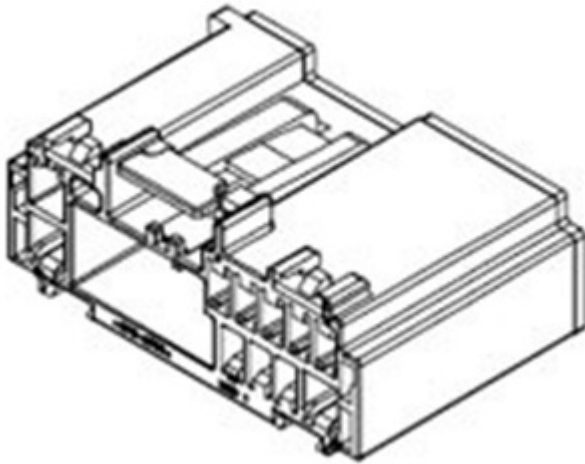
GCN Number

Series 30700 April 04, 2014

Date Issued

Reason For Change New, Modified, Or Replacement Tooling

Change Description Molex is qualifying two new molds to make 8-16 circuit TPAs for 30700 female HDAC assemblies. The new molds are being added to increase capacity to allow Molex to continue to meet customer demand.



30700 Female - Series image - Reference only

Part Numbers Affected Please refer to CustomerPartList.csv attached to e-mail message.

Reason For Short Notice Exception New Capacity

Assessment Of Change (How Product Will Be Qualified & Validated) Product from the new mold will be identical to the existing product supplied by Molex. The new mold will be fully qualified by Molex before it is released. PPAP documentation will be available after July 14, 2014.

Internal Molex Qualification Date (Planned Date Information Available) July 14, 2014

Sample Availability Date (Changed Part) July 14, 2014

Date of Implementation August 01, 2014

Method of Identifying Change This will be a running change production after August 1, 2014 will include parts from the new molds.

Recommended Replacement Parts Not Applicable

Last Time Buy Date for Obsolete Parts

Last Time Ship Date for Obsolete Parts

Contact	Name	E-mail	Phone Number
Sales Engineer	Please refer to e-mail message for your local sales engineer.		
Regional Coordinator (Japan and Korea)	Naomi Maruyama	Naomi.Maruyama@molex.co.jp	+81-46-265-2416
Regional Coordinator (Asia- excluding Japan and Korea)	Allen Yu	Allen.Yu@molex.com	+886-2-66251751
Regional Coordinator (Europe, Middle East, Africa)	QuiNann Lim	QuiNann.Lim@molex.com	+31-40-295-8472
Regional Coordinator (Americas)	Maria Sullivan	Maria.Sullivan@molex.com	1-727-322-4352

Molex, Inc.
 2222 Wellington Court
 Lisle, IL 60532
 TEL: 630-969-4747
www.molex.com

Material

307001080
307001100
307001101
307001120
307001147
307001160
307001167
307001168
313891167
307001102
307001121
307001122
307001148
307001149
307001161
307001169
688000955
688000956
307001081
307001082
307001162
307003080
307003100
307003120
307003140
307003160
313891100
313891147
313891148
313891149
313891168
313891169
795023011
795023012
795023020
795023022
795023033
795023035
795243001
795243002
795253000
795253004
795253005
795255000
795255001
795295002

795295003
795295004
795295012
795295013
795295014
795295104
795295114
796250000
797410063
799096644
799160161
799160225
799160250
799160421
799160621
799160622
799160638
799161134
799161135
799161186
799161605
799161719
799161867
799180033
799180288
799180289
810002459
840000188