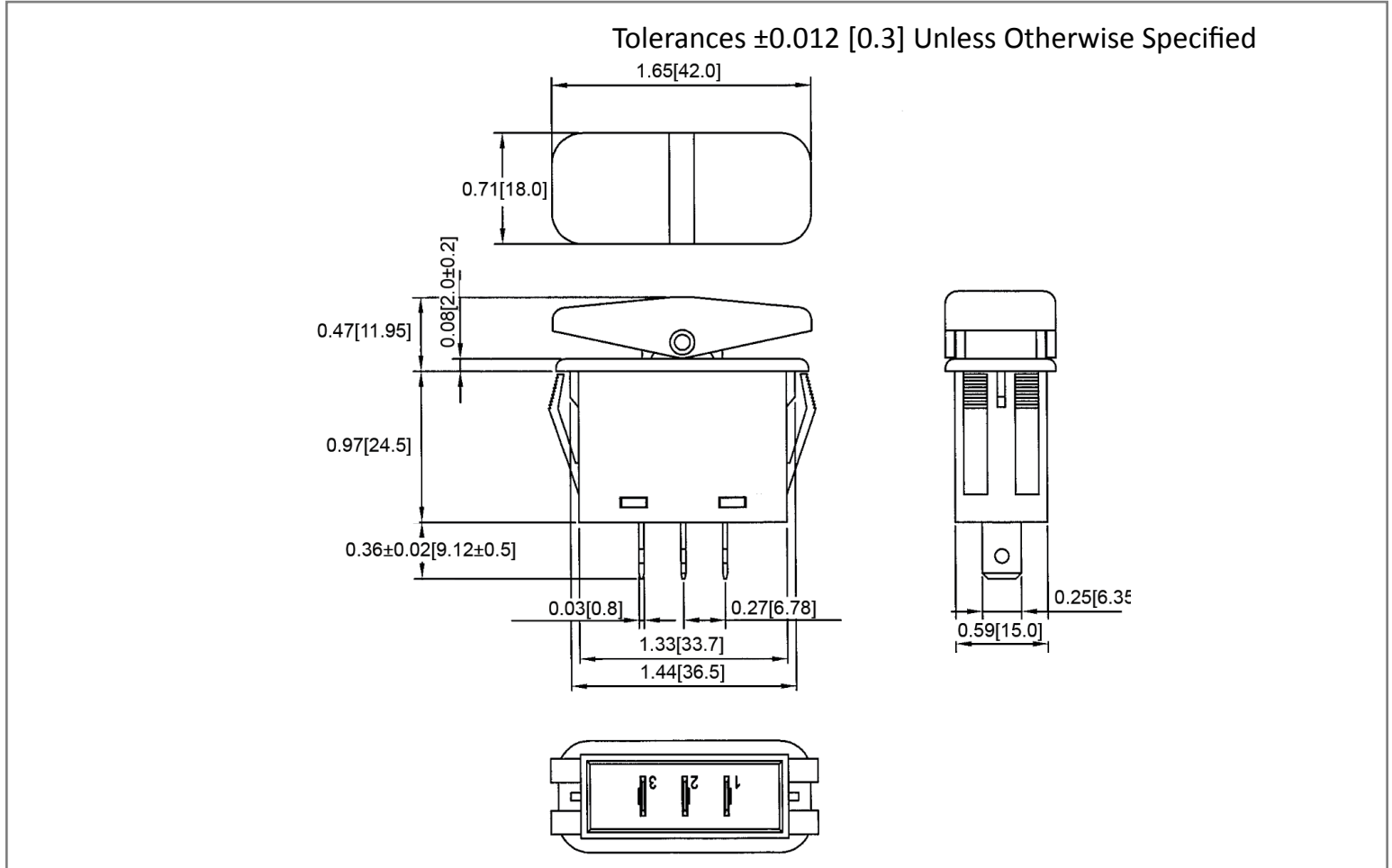
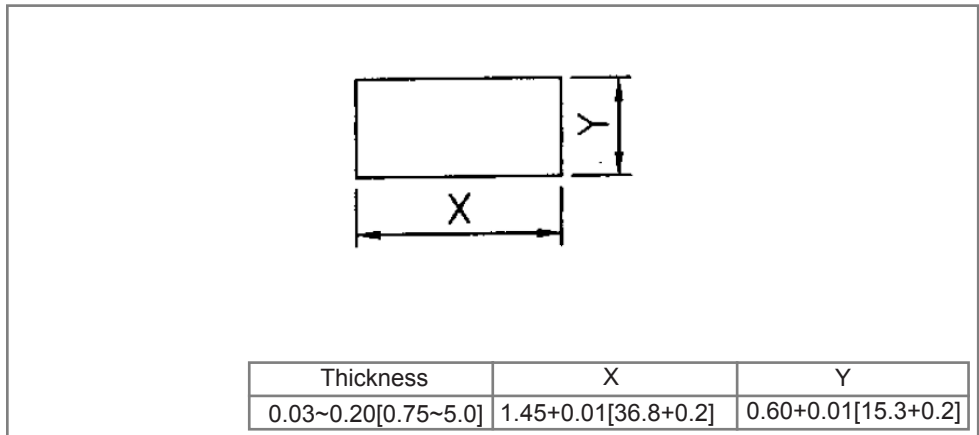


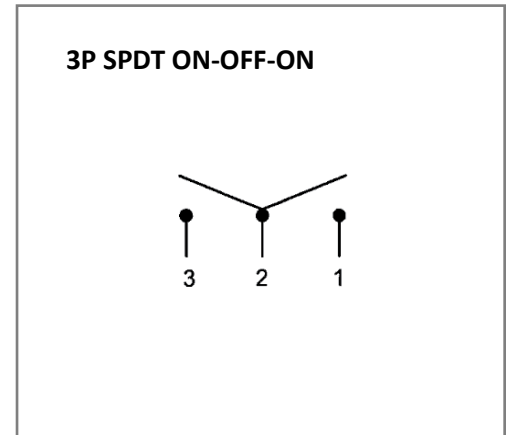
**Mechanical Dimensions: Inches [mm]**



**Mounting Hole**



**Circuit Diagram**



**Electrical Specifications**

|                              |  |
|------------------------------|--|
| <b>Rating</b>                | 10(4)A 250V AC  20A 125V AC 1/3HP, 10(4)A 250V AC  10A 250V AC 3/4HP |
| <b>Contact Resistance</b>    | 50m ohm Max  |
| <b>Insulation Resistance</b> | DC 500V 100M ohm Min   |
| <b>Dielectric Strength</b>   | AC 1500V 1minute   |
| <b>Operation Temperature</b> | -20°C~85°C   |

**Material Specifications**

|                   |                       |
|-------------------|-----------------------|
| <b>Frame</b>      | Black, Nylon #66      |
| <b>Actuator</b>   | Black, Nylon 66+33%GF |
| <b>Waterproof</b> | IP56                  |

| Rev | Date of issue | Revision Notes  | Designed | Approved |
|-----|---------------|-----------------|----------|----------|
| B   | 02-26-2020    | Initial Drawing | RC       | OF       |