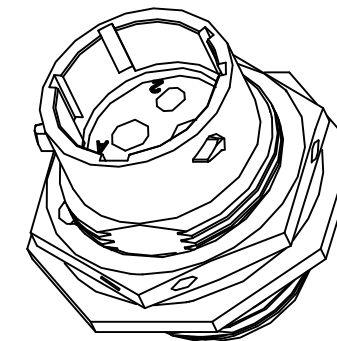
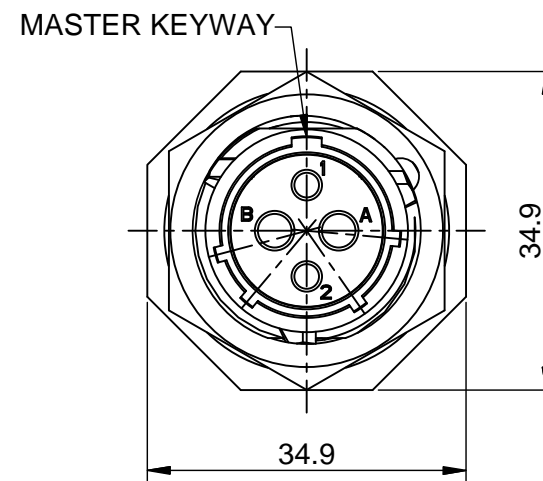
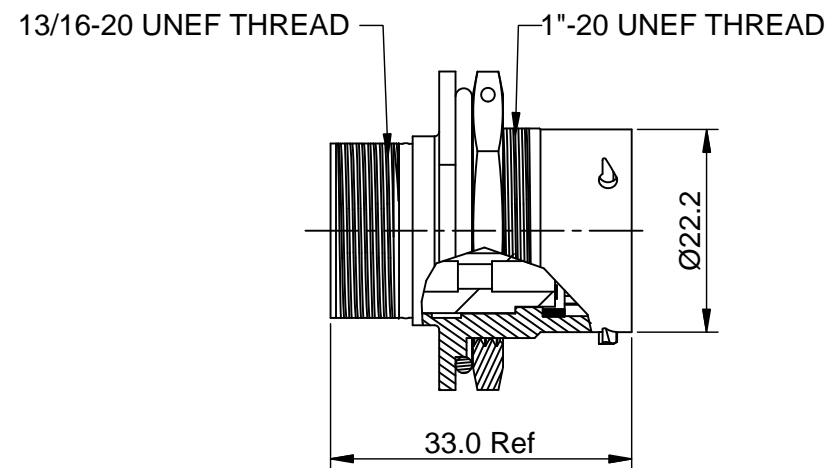
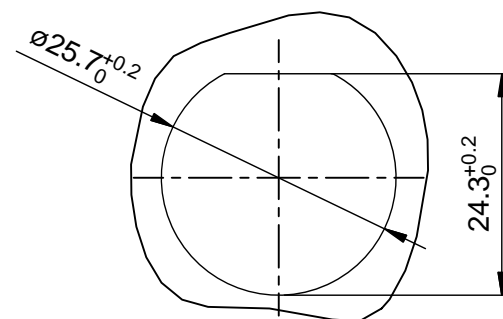


| REVISIONS | | | | | |
|-----------|-----|------------------|--------------|-----|-------|
| REV | ECO | DESCRIPTION | DATE | BY | APPR |
| B1 | - | RELEASED DRAWING | JULY-03-2014 | BEN | TOMMY |



NOTES : (UNLESS OTHERWISE SPECIFIED)

1. MATERIAL :
 - SHELL : ZINC ALLOY , NICKEL PLATED.
 - INSERT : THERMOPLASTIC , UL94 V-0.
 - NUTS : AL ALLOY NICKEL PLATED.
 - SEAL GASKET : NBR.
 - O-RING : NBR.
2. SPECIFICATIONS :
 - 2.1 RATED CURRENT :
 - 2.1.1 16# CONTACT 13A (MAX).
 - 2.1.2 2.5mm CONTACT 23A (MAX).
 - 2.2 RATED VOLTAGE : 350V(AC/DC).
 - 2.3 OPERATING TEMPERATURE : -40°C ~ +105°C.
 - 2.4 DIELECTRIC WITHSTANDING VOLTAGE : LESS THAN 2 MILLIAMPS CURRENT LEAKAGE@2000 VOLTS AC.
 - 2.5 INSULATION RESISTANCE : 5000 MEGOHMS MIN.
 - 2.6 IP--CLASS : IP67.
 - 2.7 MATING CYCLES DURABILITY : 500 CYCLES MIN.
 - 2.8 ROHS COMPLIANT.
3. SUITABLE CONTACTS : 16# & 2.5mm CONTACTS.
4. ALL DIMENSIONS ARE FOR REFERENCE USE ONLY.



PANEL CUT OUT REFERENCE

| KEY POS | PART NUMBER |
|---------|-------------|
| N | RT07142PNH |
| W | RT07142PWH |
| X | RT07142PXH |
| Y | RT07142PYH |
| Z | RT07142PZH |

| QUANTITY | SEE PART NUMBER CHART PART NUMBER | DESCRIPTION | ITEM |
|---|---|--|---|
| MATERIALS LIST | | | |
| UNLESS OTHERWISE SPECIFIED 1) All dimensions are in metric(mm). 2) Tolerances are as follows: 1 PL DEC ±0.30 Fractions ±1/64 2 PL DEC ±0.15 Angles ±1° 3 PL DEC ±0.08 3) Note reference = | | SIGNATURES DRAWN: BEN CHECKED: ENGINEER: APPROVAL: | DATE JULY-03-2014 |
| MATERIAL SPECIFICATIONS: PROCESS SPECIFICATIONS: NEXT ASSY: | | CUSTOMER: THIS DRAWING IS SUPPLIED FOR INFORMATION ONLY. DESIGN FEATURES, SPECIFICATIONS AND PERFORMANCE DATA SHOWN HEREON ARE THE PROPERTY OF THE AMPHENOL CORPORATION. NO RIGHTS OF REPRODUCTION ARE IMPLIED. ALL DIMENSIONS ARE SUBJECT TO NORMAL MANUFACTURING VARIATIONS. | <div style="text-align: center;"> <h1>Amphenol</h1> <p>Sine Systems - www.amphenol-sine.com 44724 Morley Drive Clinton Township, MI 48036</p> </div> <div style="text-align: center;"> <p>ECO-MATE,RECEPTACLE, JAM NUT,SIZE 14,2POS,PIN.</p> </div> |
| SIZE: B TYPE: C- SCALE: NONE | | DWG NO: RT07142P*H | REVISION: B1 SHEET 1 OF 1 |

TITLE: ECO-MATE RECEPTACLE, JAM NUT, SIZE 14,2POS, PIN
 DWG NO: RT07142P*H
 REV: B1
 SH: 1
 OF: 1