

4

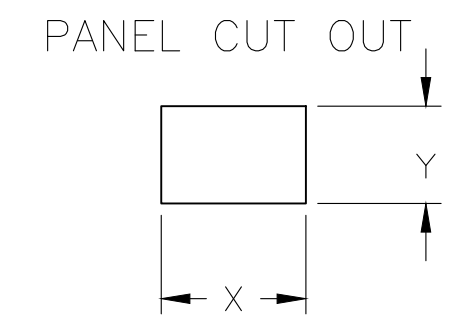
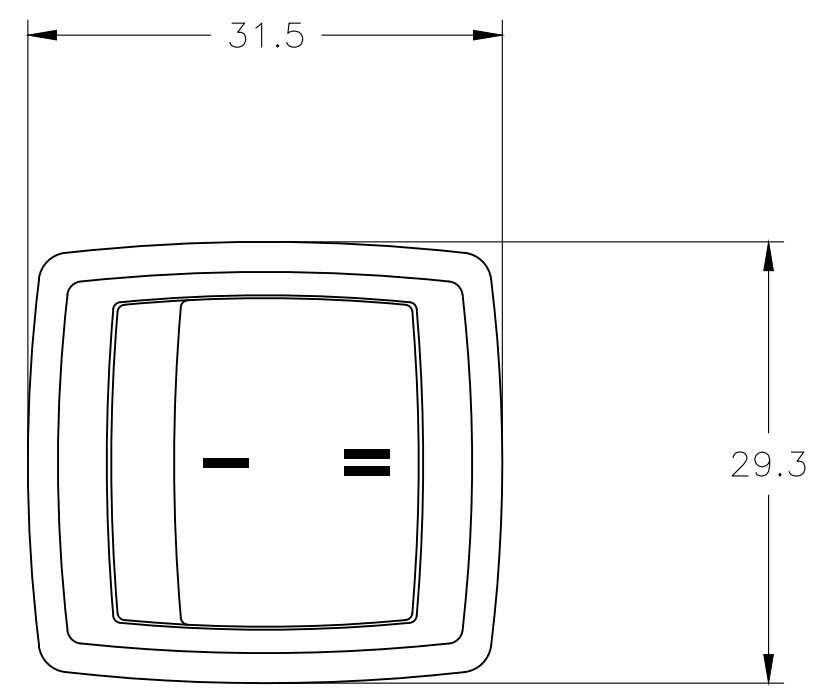
3

2

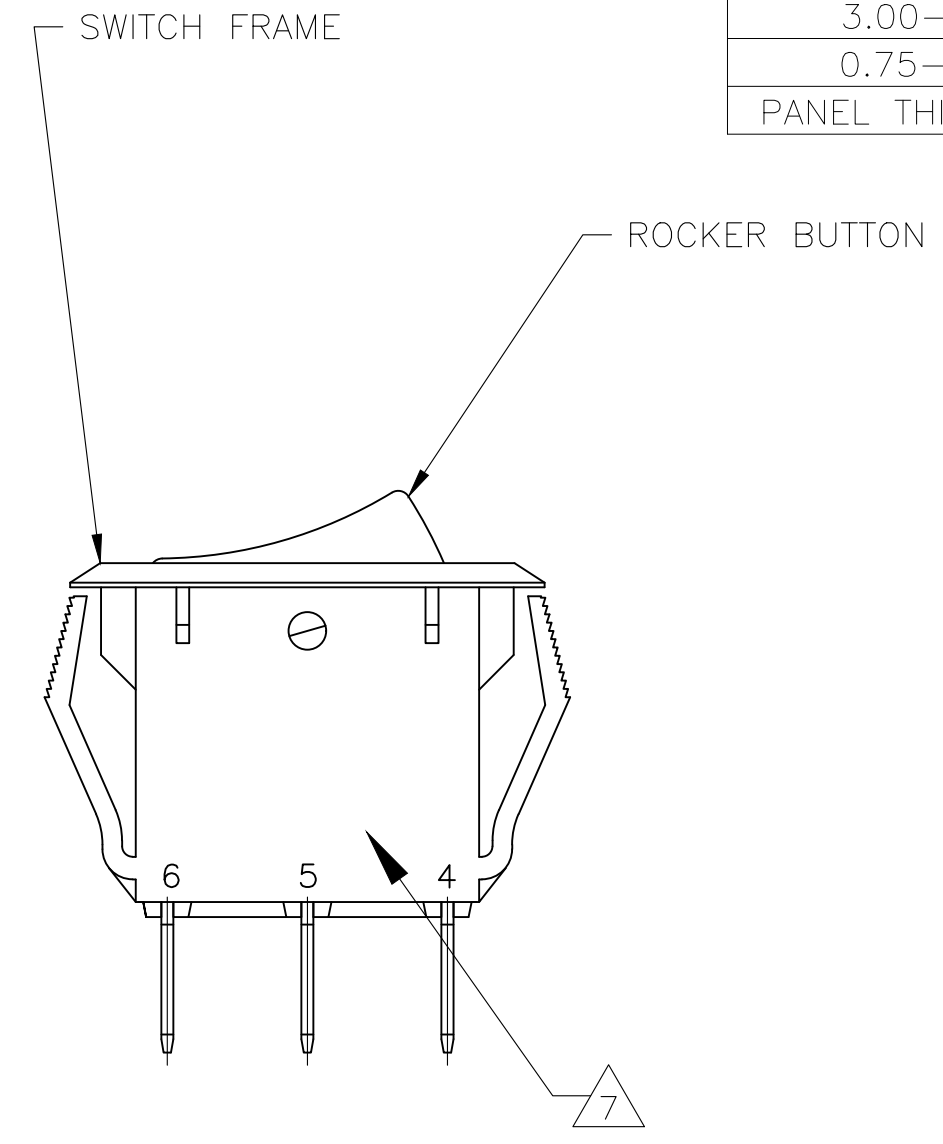
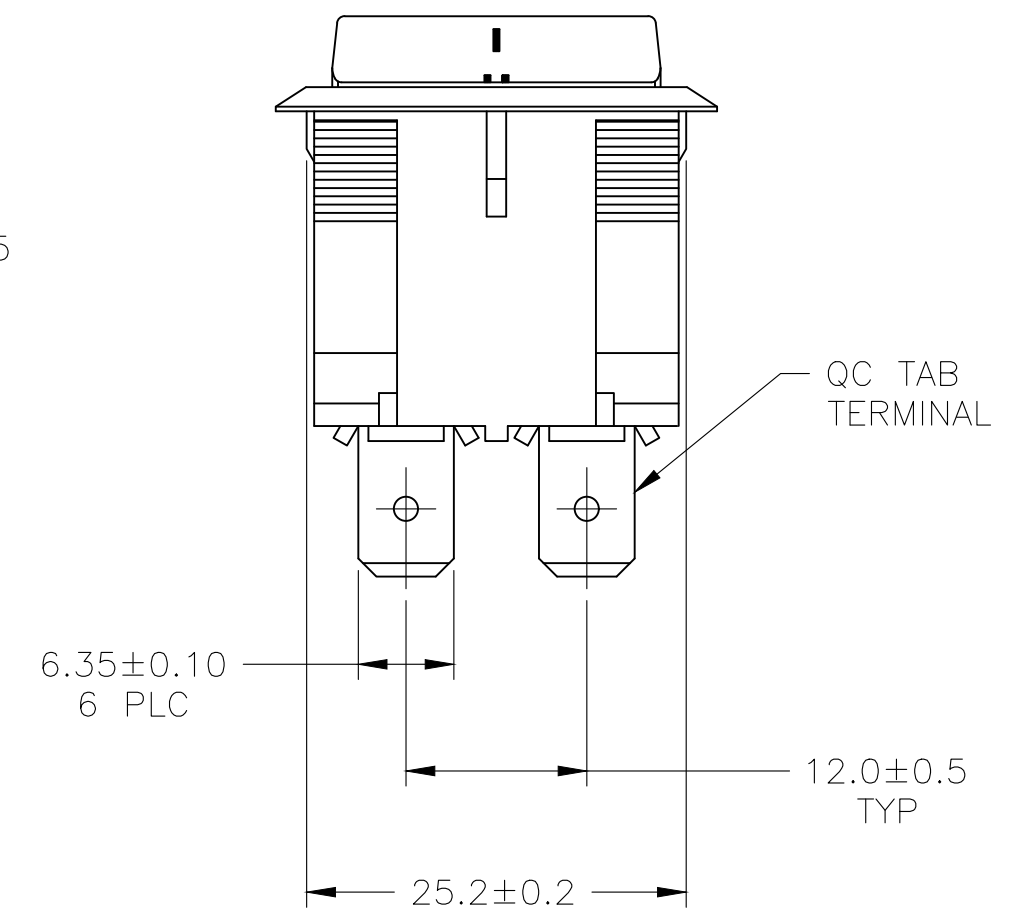
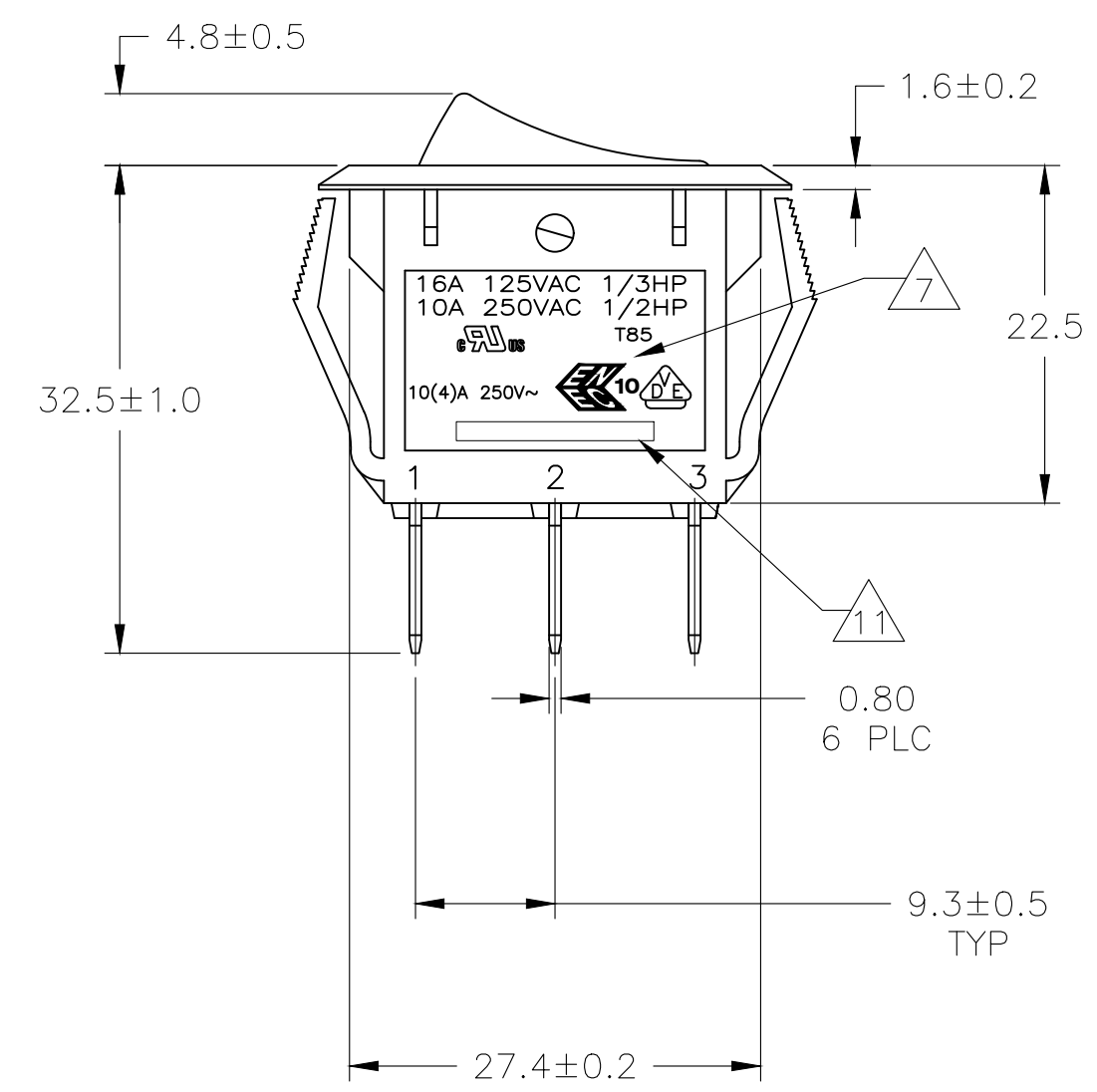
1

THIS DRAWING IS UNPUBLISHED. RELEASED FOR PUBLICATION
 © COPYRIGHT - By - ALL RIGHTS RESERVED.

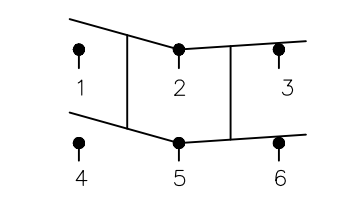
REVISIONS				
P	LTR	DESCRIPTION	DATE	APVD
E1		REVISED PER ECO-10-005254	19MAR10	HMR NE
E2		REVISED PER ECO-16-017354	03MAR2017	RK AS



5.00-6.30	28.6-0.1	25.4+0.1
3.00-5.00	28.0-0.1	25.4+0.1
0.75-3.00	27.6-0.1	25.4+0.1
PANEL THICKNESS	X	Y



SWITCH FUNCTION D1
CIRCUIT DIAGRAM



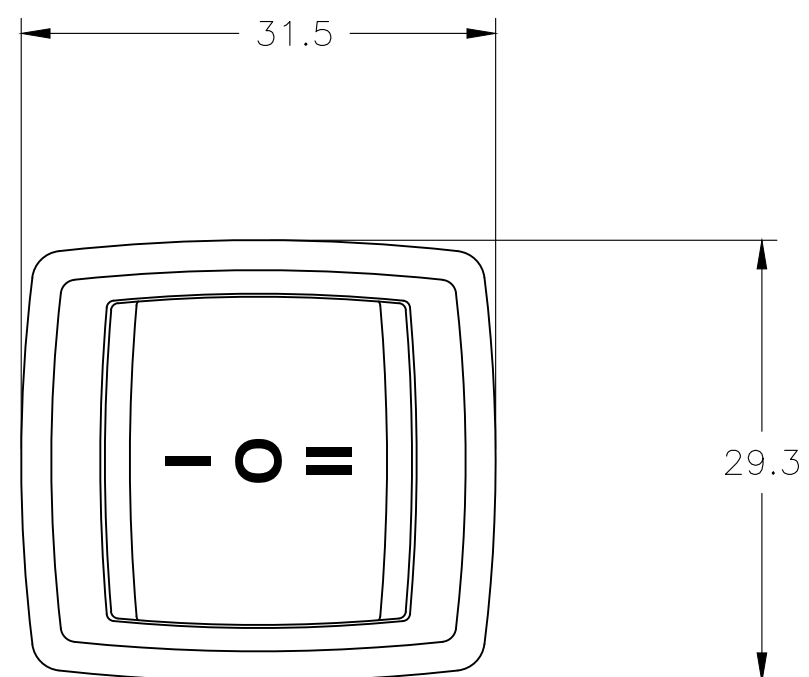
1571113-2 SHOWN

THIS DRAWING IS A CONTROLLED DOCUMENT.		DWN M BINNER 25FEB2002	TE Connectivity	
DIMENSIONS: mm		CHK J. MOSIER		
TOLERANCES UNLESS OTHERWISE SPECIFIED:		APVD JP	NAME POWER ROCKER SWITCH, 25.4mmX27.6mm PANEL SIZE, DP, 6 TERMINALS, NON-ILLUMINATED	
0 PLC ± -		PRODUCT SPEC	SIZE	
1 PLC ± 0.30		NOT APPLICABLE	CAGE CODE	DRAWING NO.
2 PLC ± 0.05		APPLICATION SPEC	00779	C-1571113
3 PLC ± -		NOT APPLICABLE	RESTRICTED TO	-
4 PLC ± -		WEIGHT	SCALE 2:1 SHEET 1 OF 3 REV E2	
ANGLES ± -		CUSTOMER DRAWING		
MATERIAL	FINISH			
1	2			

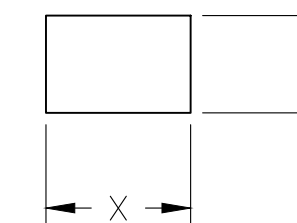
1571113

THIS DRAWING IS UNPUBLISHED. RELEASED FOR PUBLICATION
 © COPYRIGHT - By - ALL RIGHTS RESERVED.

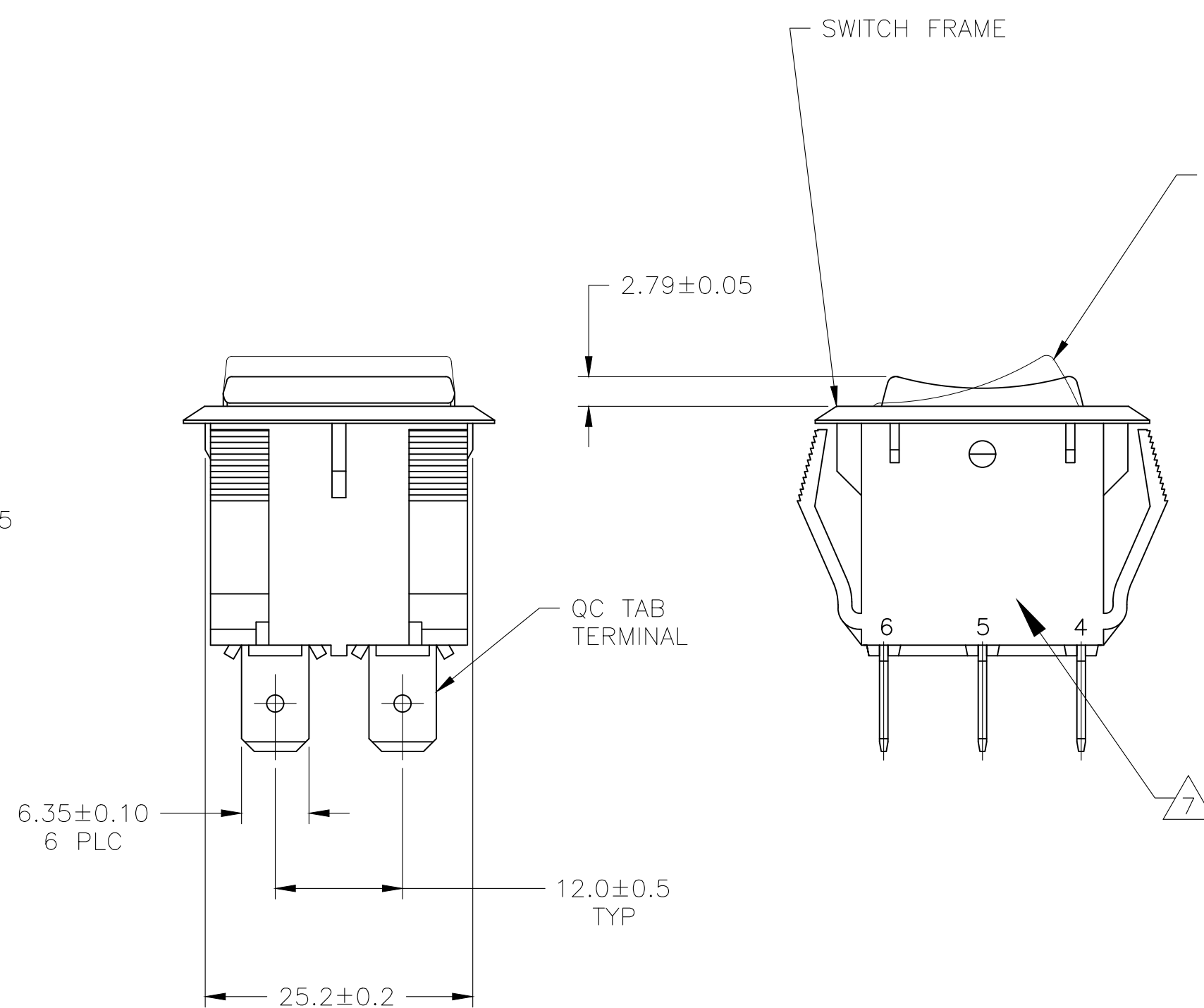
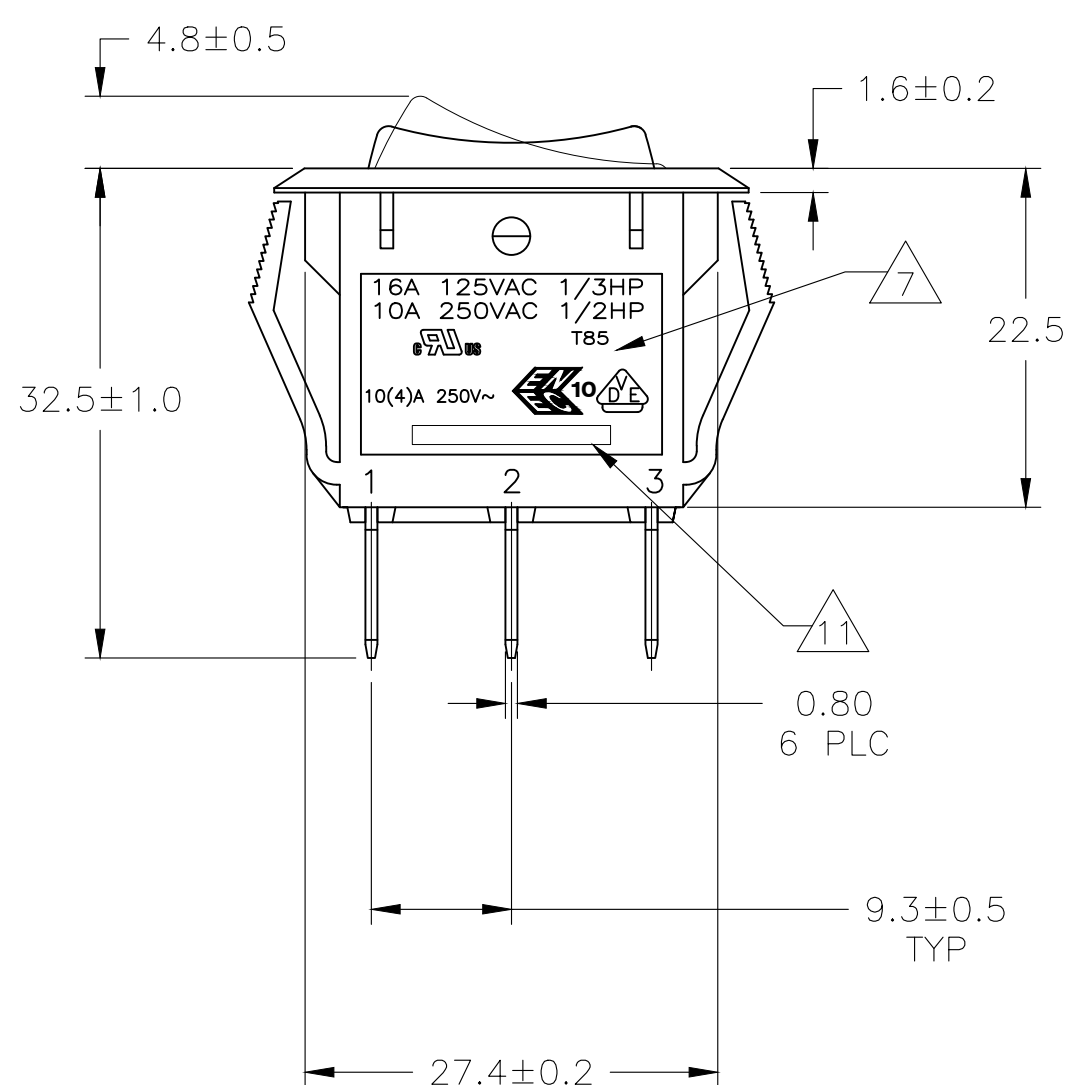
REVISIONS				
P	LTR	DESCRIPTION	DATE	APVD
-	-	SEE SHEET 1	-	-



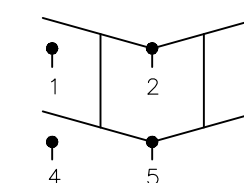
PANEL CUT OUT



5.00-6.30	28.6-0.1	25.4+0.1
3.00-5.00	28.0-0.1	25.4+0.1
0.75-3.00	27.6-0.1	25.4+0.1
PANEL THICKNESS	X	Y



SWITCH FUNCTION D3
CIRCUIT DIAGRAM



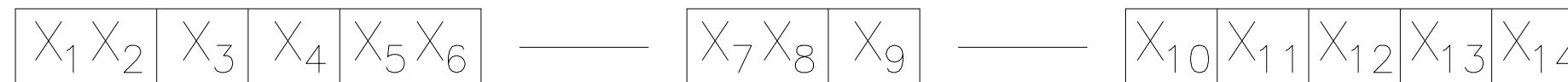
OBSOLETE 1571113-5 SHOWN

THIS DRAWING IS A CONTROLLED DOCUMENT.		DWN M BINNER	25FEB2002		
DIMENSIONS: mm		CHK J.MOSIER	-		
TOLERANCES UNLESS OTHERWISE SPECIFIED:		APVD JP	-	NAME POWER ROCKER SWITCH, 25.4mmX27.6mm PANEL SIZE, DP, 6 TERMINALS, NON-ILLUMINATED	
0 PLC ± -		PRODUCT SPEC		SIZE	
1 PLC ± 0.30		NOT APPLICABLE		CAGE CODE	
2 PLC ± 0.05		APPLICATION SPEC		DRAWING NO	
3 PLC ± -		NOT APPLICABLE		RESTRICTED TO	
4 PLC ± -		WEIGHT		A2 00779 C-1571113	
ANGLES ± -		CUSTOMER DRAWING		SCALE 2:1 SHEET 2 OF 3 REV E2	
FINISH		MATERIAL			
1		2			

THIS DRAWING IS UNPUBLISHED. RELEASED FOR PUBLICATION
 © COPYRIGHT - By - ALL RIGHTS RESERVED.

REVISIONS				
P	LTR	DESCRIPTION	DATE	APVD
-	-	SEE SHEET 1	-	-

LEGACY PART NUMBER



SWITCH TYPE: X1X2 = PR - POWER ROCKER

NOMINAL PANEL CUT OUT SIZE: X3 = D - 25.4x27.6

NUMBER OF POLES: X4 = D - DOUBLE

SWITCH FUNCTION: X5X6 = D1 - ON-ON, WITH OPAQUE, SINGLE-COLOR ROCKER BUTTON.

D3 - ON-OFF-ON, WITH OPAQUE, SINGLE-COLOR ROCKER BUTTON.

CURRENT RATING: X7X8 = 16 - 6

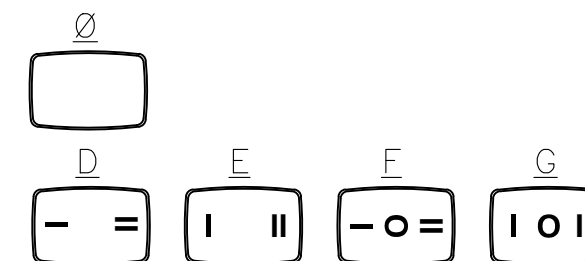
TERMINAL TYPE: X9 = E - QC TAB

FRAME COLOR: X10 = B - BLACK
W - WHITE

ROCKER COLOR: X11 = B - BLACK
G - GREEN
R - RED
W - WHITE

SECONDARY ROCKER COLOR: X12 = Ø - NOT APPLICABLE

LEGEND TEXT PATTERN: X13 =



LEGEND TEXT COLOR: X14 = Ø - NOT APPLICABLE

G - GREEN
R - RED
B - BLACK
W - WHITE

1

MATERIALS:

ROCKER BUTTON & HOUSING: NYLON 66, UL 94 V-2.
 TERMINAL, ACTIVE CONTACTOR: COPPER ALLOY PER ASTM B152/B152M
 PLUNGER: COPPER ALLOY PER ASTM B036
 SPRING: STEEL WIRE PER ASTM A228/A228M
 CONTACT: SILVER-TIN OXIDE

2

FINISH:

TERMINAL, ACTIVE CONTACTOR: 1.0µm MIN SILVER
 PLUNGER: 3.0µm MIN NICKEL

3.

ELECTRICAL SPECIFICATIONS:

CURRENT & VOLTAGE 6
 CONTACT RESISTANCE (INITIAL): <50mΩ
 DIELECTRIC STRENGTH (INITIAL): >1000 VAC, 1 MINUTE
 INSULATION RESISTANCE (INITIAL): >100MΩ MIN (500VDC BETWEEN OPEN CONTACTS)
 INRUSH CURRENT: 50A / 3msec (CAPACITIVE LOAD)
 ELECTRICAL LIFE ENDURANCE: >6000 OPERATIONS,
 TEMPERATURE RISE AT TERMINALS: <30°C, 6000 OPERATIONS
 (AMBIENT CONDITIONS: 25±2°C AND 65±5%RH)

5.

ENVIRONMENTAL SPECIFICATIONS:

AMBIENT TEMPERATURE: -20°C TO +85°C
 HUMIDITY: MAX 85%
 SALT SPRAY: NO REMARKABLE RUST IN METAL PARTS (5% SALT / 35°C 24HRS)
 SHOCK: NO MECHANICAL DEFECT OR DAMAGE (100g / 10MSEC/ X,Y,Z 3 TIMES)
 VIBRATION: NO MECHANICAL DEFECT OR DAMAGE (10-55Hz / 1.5mm/ X,Y,Z 2HRS)

6

UL: 16A@125VAC 1/3HP / 10A@250VAC 1/2HP
 ENEC: 10(4)A 250V~

7

ELECTRICAL RATINGS, APPROVED AGENCY LOGOS,
 TERMINAL IDENTIFICATION NUMBERS, MOLDED APPROXIMATELY AS
 SHOWN ON THE SIDES OF THE SWITCH HOUSING.

8.

COMPONENT-RECOGNIZED TO US & CANADIAN STANDARDS
 UL FILE NO. E46765

9.

COMPONENT-RECOGNIZED TO EUROPEAN STANDARDS
 (ENEC & VDE) MARKS LICENSE NO 40020317

10.

ROHS 2002/95/EC COMPLIANT

11

TYCO ELECTRONICS LOGO LOCATED APPROXIMATELY AS SHOWN

OBSOLETE	2	PRDDD3-16F-BR000	5-1571113-7
	2	PRDDD3-16F-BB0GW	1571113-6
OBSOLETE	2	PRDDD3-16F-BB0FW	1571113-5
	2	PRDDD3-16F-BB000	1571113-4
OBSOLETE	1	PRDDD1-16F-BB0EW	1571113-3
	1	PRDDD1-16F-BB0DW	1571113-2
	1	PRDDD1-16F-BB000	1571113-1
SHEET REF.		LEGACY PART NUMBER	PART NUMBER

4.

MECHANICAL SPECIFICATIONS:

ACTUATING FORCE: 850g MIN, 1250g MAX
 OPERATING LIFE ENDURANCE: >100,000 OPERATIONS
 TERMINAL STRENGTH : >10.0kg- QC TAB

THIS DRAWING IS A CONTROLLED DOCUMENT.		DWN M BINNER	25FEB2002		
DIMENSIONS: mm		CHK J.MOSIER			
TOLERANCES UNLESS OTHERWISE SPECIFIED:		APVD JP		NAME POWER ROCKER SWITCH, 25.4mmX27.6mm PANEL SIZE, DP, 6 TERMINALS, NON-ILLUMINATED	
0 PLC ± -		PRODUCT SPEC		NOT APPLICABLE	
1 PLC ± 0.30		APPLICATION SPEC		NOT APPLICABLE	
2 PLC ± 0.05		SIZE		A2	
3 PLC ± -		CAGE CODE		00779	
4 PLC ± -		DRAWING NO		C=1571113	
ANGLES ± -		RESTRICTED TO		-	
FINISH		WEIGHT		-	
		CUSTOMER DRAWING		SCALE 2:1 SHEET 3 of 3 REV E2	