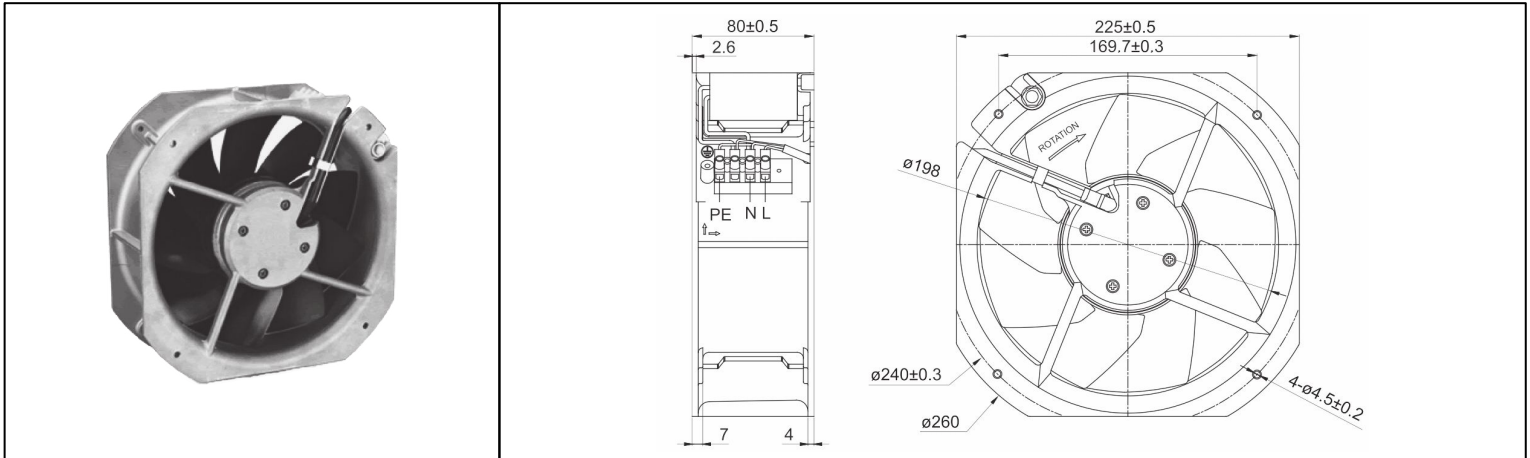


# OA225AN Series



AC Fans - 115, 230V  
225mm x 80mm (8.9" x 3.2")



<b>Frame</b>	Die Cast Aluminum, Natural Finish	<b>Operating Temperature</b> -40°C ~ +80°C	
<b>Impeller</b>	Steel, All Metal, Black Finish	<b>Storage Temperature</b> -40°C ~ +100°C	
<b>Connection</b>	Terminal Block	<b>Life Expectancy</b> 40,000 Hours (L10 at 40°C)	
<b>Motor</b>	AC, Capacitor Induction, Outer Rotor, Single Phase, Thermally Protected, Class F Insulation	<b>Installed Options</b> IP55 Rating	
<b>Bearing System</b>	Ball Bearings	<b>Available Options</b> Tachometer Output Alarm Output Other Speeds Available	
<b>Dielectric Strength</b>	1500VAC/min, <5mA	<b>Weight:</b> 4.7 lbs	
<b>Insulation Resistance</b>	≥100MΩ @ 500VAC		

Part Number	Rated Voltage (Volts AC)	Voltage Range (Volts AC)	Frequency (Hz)	Input Power (Watts)	Rated Current (Amps)	Rated Speed (RPM)	Max Airflow (CFM)	Noise Level (dBA)	Max Static Pressure (\"H <sub>2</sub> O)
OA225AN-11-1TB18	115	100 ~ 130	50 / 60	65 / 72	0.58 / 0.70	2550 / 2800	530 / 600	59 / 61	0.67 / 0.55
OA225AN-22-1TB18	230	200 ~ 255	50 / 60	65 / 72	0.29 / 0.35	2550 / 2800	530 / 600	59 / 61	0.67 / 0.55