



# CM4 MEDIA

A SMALL MULTIMEDIA DESKTOP COMPUTER

Shanghai EDA Technology Co.,Ltd  
2023-01-11

## Copyright Statement

ED-CM4MEDIA and its related intellectual property rights are owned by Shanghai EDA Technology Co., Ltd.

Shanghai EDA Technology Co., Ltd. owns the copyright of this document and reserves all rights. Without the written permission of Shanghai EDA Technology Co., Ltd, no part of this document may be modified, distributed or copied in any way or form.

## Disclaimers

Shanghai EDA Technology Co., Ltd does not guarantee that the information in this hardware manual is up to date, correct, complete or of high quality. Shanghai EDA Technology Co., Ltd also does not guarantee the further use of this information. If the material or non-material related losses are caused by using or not using the information in this hardware manual, or by using incorrect or incomplete information, as long as it is not proved that it is the intention or negligence of Shanghai EDA Technology Co., Ltd, the liability claim for Shanghai EDA Technology Co., Ltd can be exempted. Shanghai EDA Technology Co., Ltd expressly reserves the right to modify or supplement the contents or part of this hardware manual without special notice.

## Release Note

Date	Version	Description	Note
2023-01-11	V1.0	Initial version	

## Contents

1	Product Overview.....	6
1.1	Target Application.....	6
1.2	Specifications and Parameters.....	6
1.3	System Diagram.....	7
1.4	Functional Layout.....	8
1.5	Packing List.....	9
1.6	Order Code .....	9
2	Product Appearance and Structure.....	10
2.1	Product Appearance .....	10
2.2	Product Photo .....	11
2.3	Dimensions .....	11
3	Interfaces and Connectors.....	12
3.1	Front Panel.....	12
3.1.1	Power Input .....	12
3.1.2	HDMI .....	12
3.1.3	Micro-HDMI .....	13
3.1.4	Micro SD Card.....	13
3.1.5	SIM Slot.....	13
3.2	Right Panel.....	13
3.2.1	USB 2.0.....	14
3.2.2	USB 3.0.....	14
3.2.3	Headset 3.5mm Jack .....	14
3.2.4	Gigabit Ethernet .....	14
3.3	Rear Panel .....	15
3.3.1	On-board Microphone .....	15
3.3.2	Speaker .....	15
3.3.3	Camera.....	15
3.3.4	Switch Button .....	15
3.4	Antenna.....	16
3.4.1	WIFI/BT .....	16
3.4.2	4G.....	16
4	Internal Interface .....	16
4.1	Mini PCIe.....	16
4.2	RTC .....	18
5	Wireless Communication .....	18
5.1	WiFi .....	18
5.2	Bluetooth .....	19
5.3	Antenna.....	19
5.3.1	WiFi / BT Antenna .....	19
6	Electrical Characteristics.....	19
6.1	Electrical Parameters.....	19
7	FAQ .....	19

7.1	Username and Password.....	20
8	Product Change Record .....	20
9	About us .....	20
9.1	About EDATEC .....	20
9.2	Contact us .....	20

# 1 Product Overview

ED-CM4MEDIA is a multimedia computer based on Raspberry Pi Compute Module 4 (CM4 for short). It makes full use of CM4's structural flexibility to solve the heat dissipation problem of CPU, wireless module and PMU, improves the reliability of wireless communication through external WIFI/BT antenna, adds WM8960 chip, supports dual speaker playback, has microphone, 3.5mm headphone jack and is equipped with SONY IMX219 eight-megapixel sensor to meet the daily photo requirements.

## 1.1 Target Application

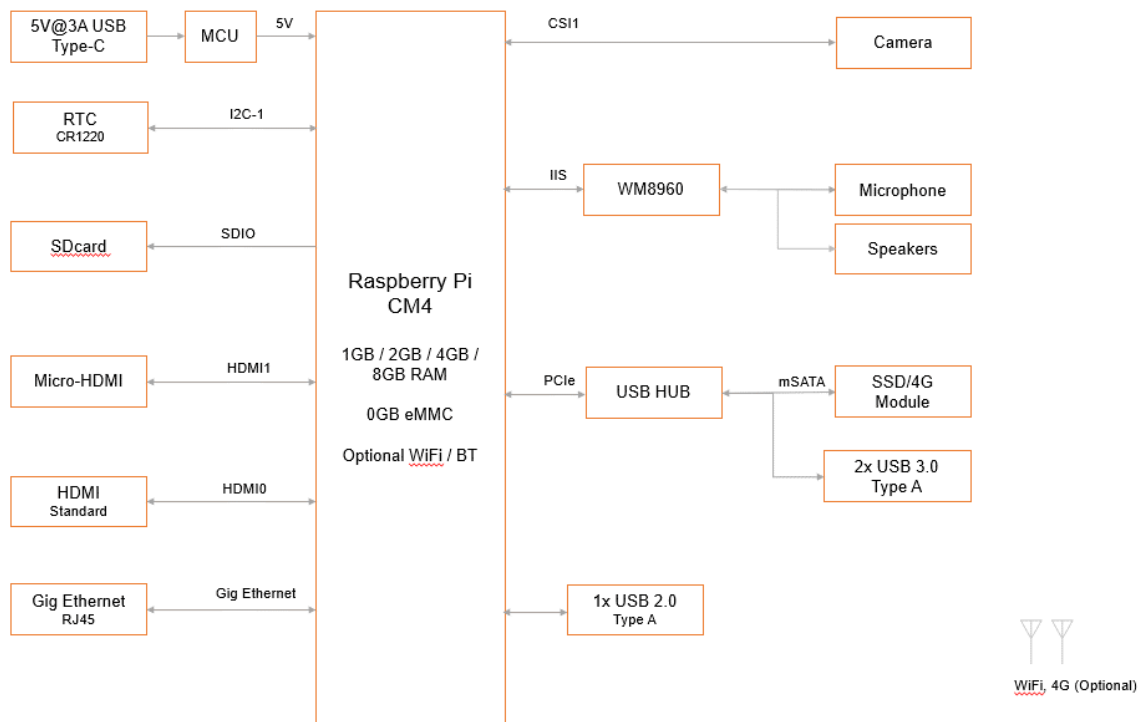
- Multimedia entertainment
- AI development
- Intelligent instrument
- Panoramic display
- Intelligent life

## 1.2 Specifications and Parameters

Function	Parameters
CPU	BCM2711 4 core, ARM Cortex-A72(ARM v8), 1.5GHz, 64bit CPU
Memory	1GB / 2GB / 4GB / 8GB option
eMMC flash	8GB / 16GB / 32GB option
SD card	8GB / 16GB / 32GB option
SSD	128GB / 256GB option
Ethernet	1x Gigabit Ethernet
WiFi / Bluetooth	2.4G / 5.8G Dual band WiFi, bluetooth5.0
HDMI	1x standard HDMI
Micro-HDMI	1x Micro-HDMI
USB Host	2x USB 3.0 Type A, 1x USB 2.0
Mini PCIe	1-lane PCIe 2.0, Highest support 5Gbps (default use SSD)
Real time clock	1x RTC
Speaker	2x Speaker
Microphone	1x Microphone
LED indicator	Blue LED as power indicator and status indicator.
Power input	5V@3A
Dimensions	100(length) x 100(wide) x 19(high) mm
Case	CNC cutting aluminum alloy shell

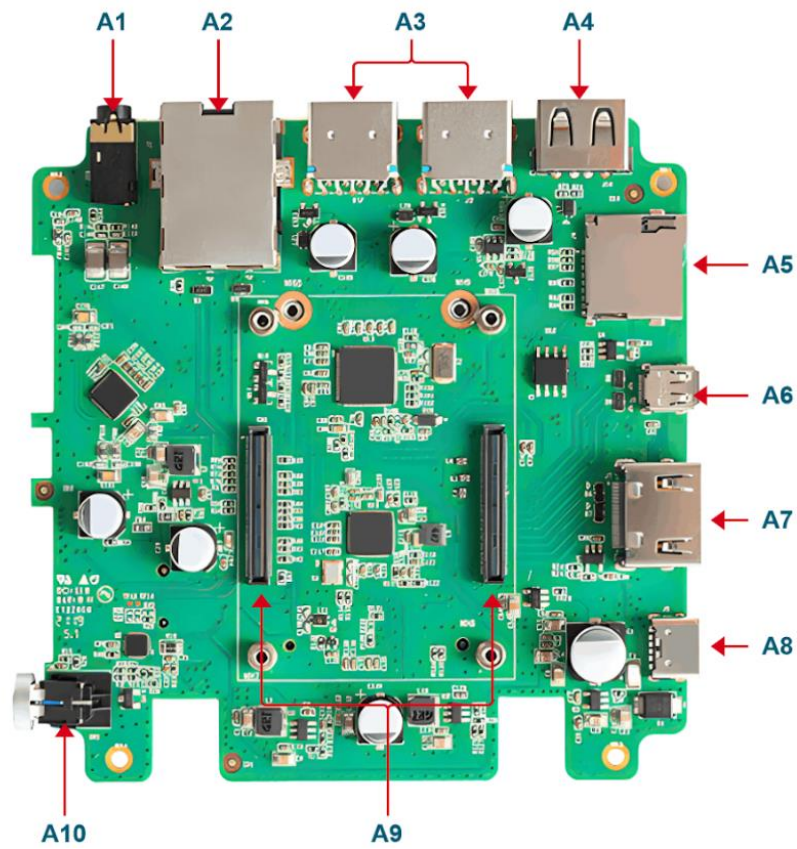
Function	Parameters
Antenna accessory	Support optional WiFi/BT external antenna, which has passed wireless authentication together with Raspberry Pi CM4, and optional 4G external antenna.
Working environment temperature	Run at full speed at 0 ~ 60 °C ambient temperature.
Operation system	compatible with official Raspberry Pi OS, provides BSP software support package, and supports online installation and update of APT.

### 1.3 System Diagram



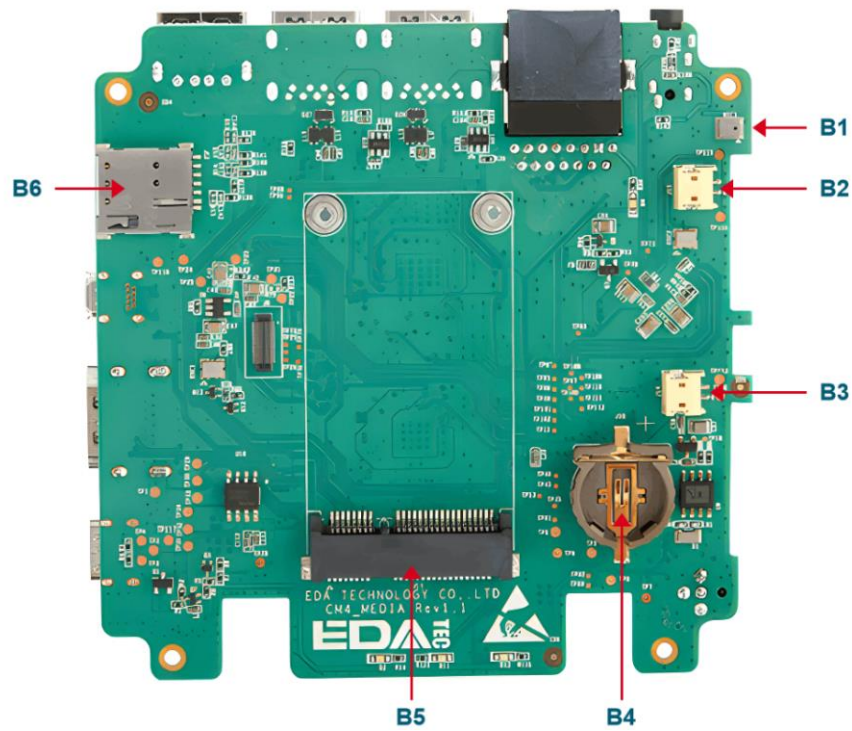
ED-CM4MEDIA

## 1.4 Functional Layout



Item	Function Description	Item	Function Description
A1	Standard 3.5mm headphone jack	A2	RJ45 Gigabit network port
A3	USB 3.0	A4	USB 2.0
A5	Micro-SD card slot	A6	Micro-HDMI port
A7	Standard HDMI port	A8	Type-C power port
A9	CM4 slot	A10	Power button



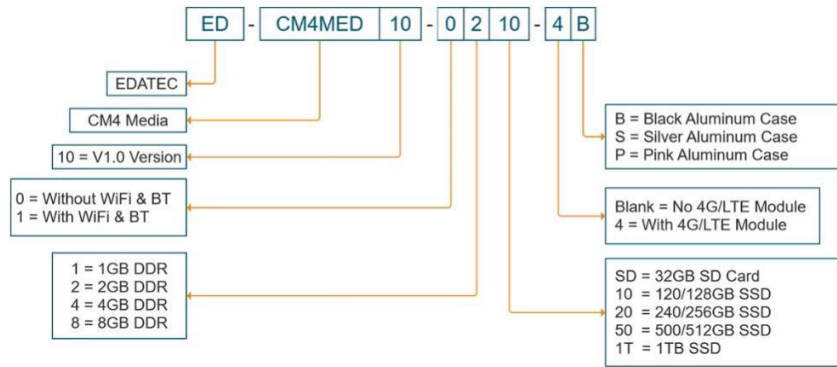


Item	Function Description	Item	Function Description
B1	Onboard microphone	B2	5W speaker
B3	5W speaker	B4	CR1220 button cell, powered for RTC.
B5	Mini PCIe	B6	Micro SIM card slot

## 1.5 Packing List

- 1x CM4 Media
- 1x WIFI/BT antenna
- [option] 1x 4G antenna

## 1.6 Order Code



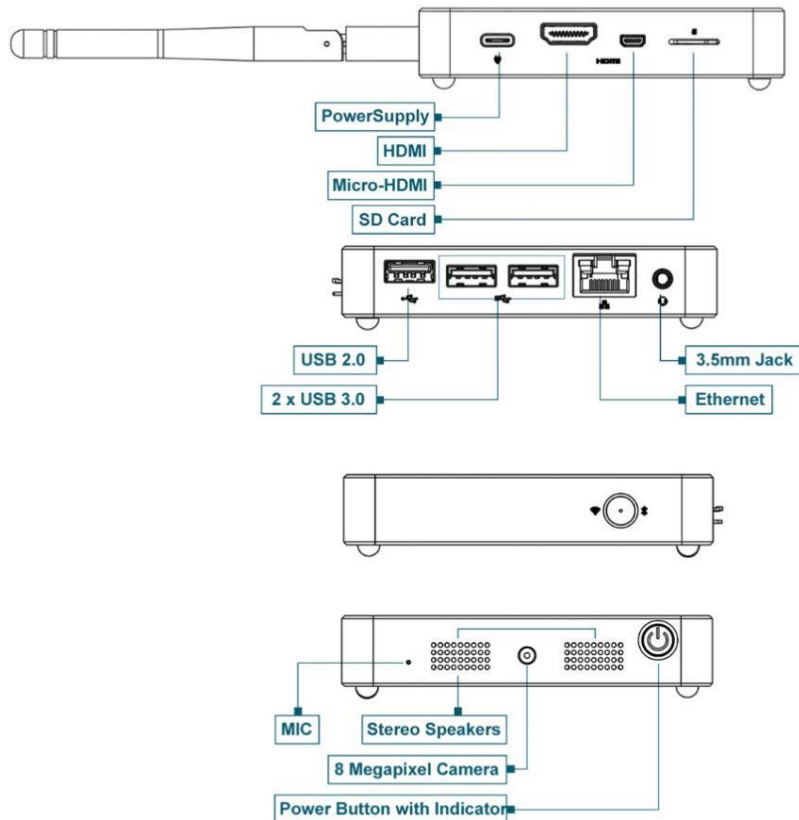
**Example**

**Part#:** ED-CM4MED10-1820-P

**Configuration:** CM4 Media Computer V1.0 version  
 1pcs Raspberry Pi certified WiFi/Bluetooth Antenna  
 8GB DDR,240/256GB SSD,WiFi & Bluetooth  
 Pink Aluminum Case

## 2 Product Appearance and Structure

### 2.1 Product Appearance

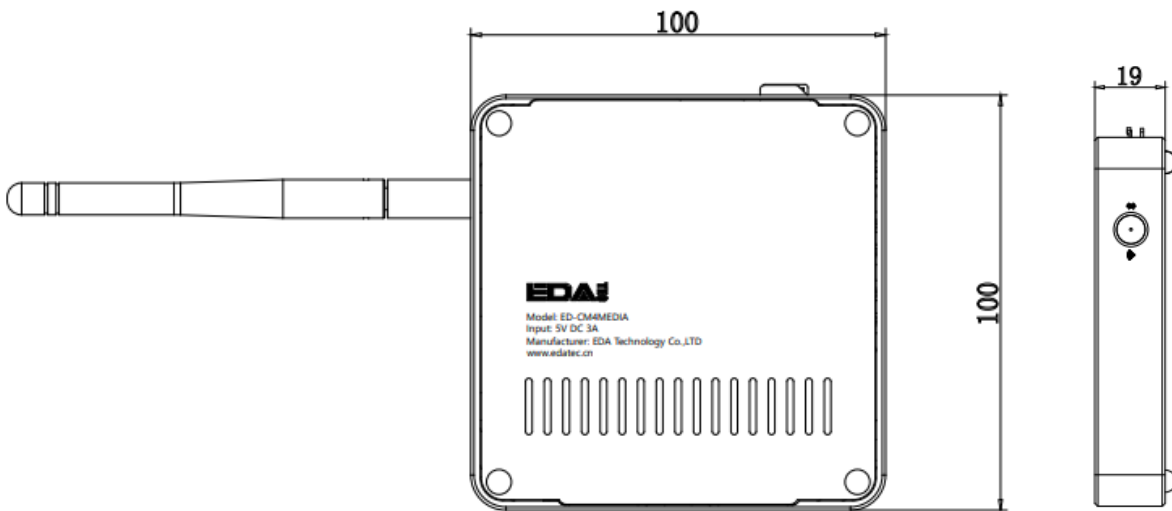


## 2.2 Product Photo



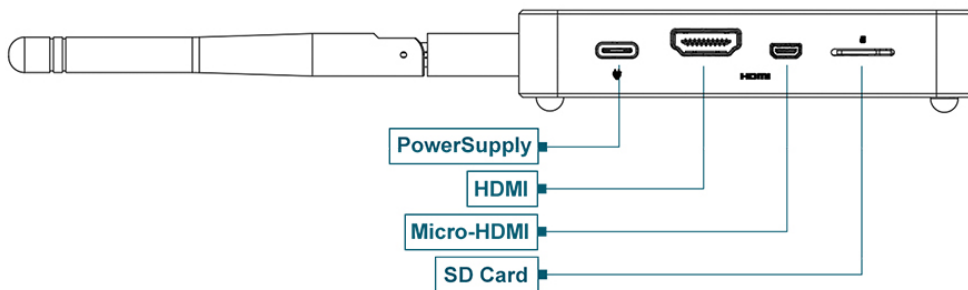
## 2.3 Dimensions

unit: mm, tolerance:  $\pm 0.1\text{mm}$



## 3 Interfaces and Connectors

### 3.1 Front Panel



#### 3.1.1 Power Input

CM4 Media uses Type-C interface for 5V@3A power input.

#### 3.1.2 HDMI

CM4 Media has a standard HDMI Type A (full-size) interface, which uses CM4 HDMI0 signals and supports HDMI2.1 video output with a maximum resolution of 4Kp60.

### 3.1.3 Micro-HDMI

CM4 Media has a Micro-HDMI interface, which can be connected to the micro-HDMI and connected to the display screen, supporting the use as a dual screen.

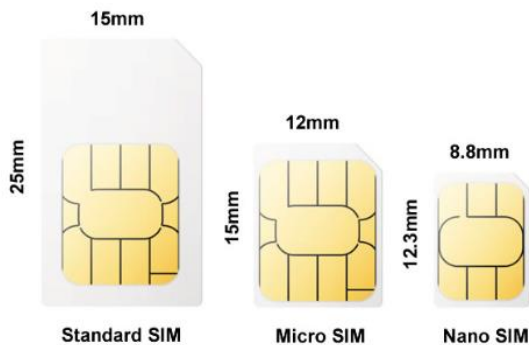
### 3.1.4 Micro SD Card

CM4 Media supports the use of SD card as the main system, and of course it also supports the use of SD card as extended storage. Please note that if you choose to use eMMC, SD card is not supported.

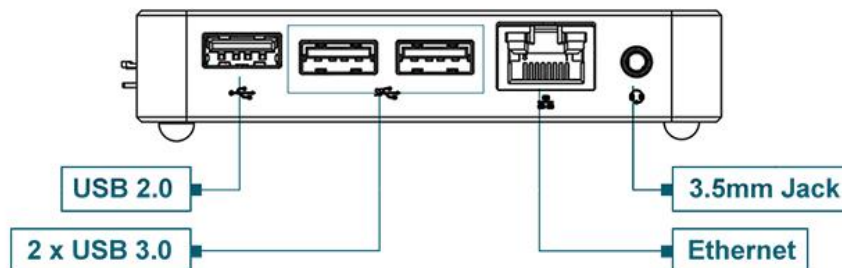
### 3.1.5 SIM Slot

Below the SD card in the above picture, if you choose to buy a SIM card slot with 4G function, users can choose whether to bring a 4G module. We have configured a Quectel EC20 full netcom 4G module in China, which supports mobile, Unicom and telecom network standards, with optional GPS support.

The 4G module is extended by USB 2.0, and supports one Nano-SIM card.



## 3.2 Right Panel



### 3.2.1 USB 2.0

CM4 Media has a USB 2.0 port.

	Pin ID	Pin Name
	1	5V
	2	D-
	3	D+
4	GND	

### 3.2.2 USB 3.0

CM4 Media has a two USB 3.0 port.

	Pin ID	Pin Name
	1	5V
	2	D-
	3	D+
	4	GND
	5	StdA_SSRX-
	6	StdA_SSRX+
	7	GND_DRAIN
	8	StdA_SSTX-
9	StdA_SSTX+	

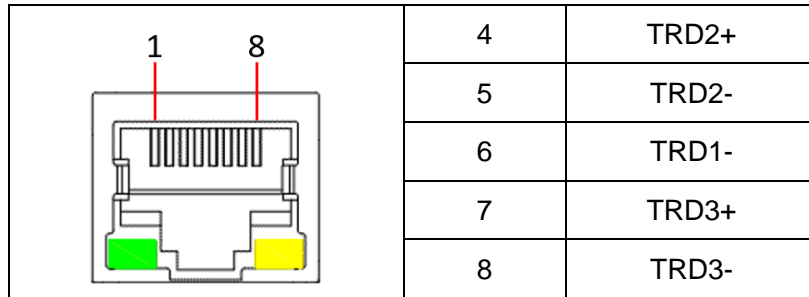
### 3.2.3 Headset 3.5mm Jack

CM4 Media has a 3.5mm standard headphone jack, which supports automatic switching to headphones when plugged in.

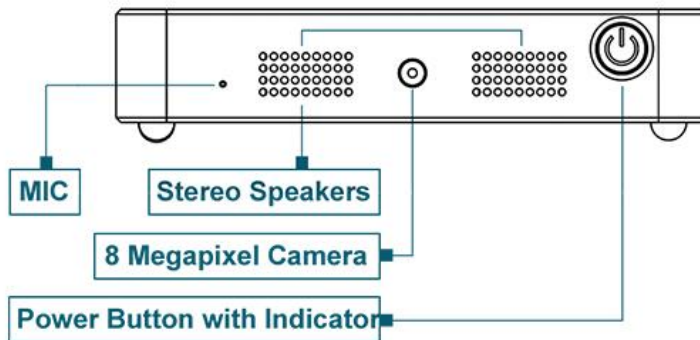
### 3.2.4 Gigabit Ethernet

There is an adaptive 10/100/1000Mbps Ethernet on CM4 Media, which uses RJ45 interface. It is recommended to use Cat6 (Category 6) network cable to cooperate with it.

	Pin ID	Pin Name
	1	TRD0+
	2	TRD0-
3	TRD1+	



## 3.3 Rear Panel



### 3.3.1 On-board Microphone

CM4 Media has an onboard microphone, which can be used as a recording device without headphones inserted.

### 3.3.2 Speaker

CM4 Media has two speakers for stereo playback.

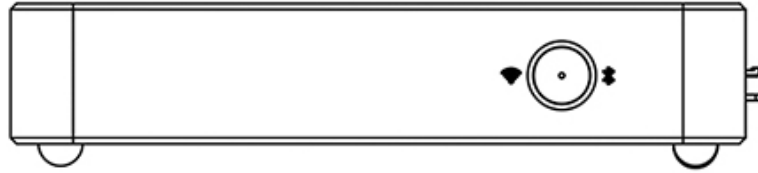
### 3.3.3 Camera

CM4 Media has an 8-megapixel Sony camera, which can be used with the built-in libcamera to easily realize functions such as taking photos and recording videos.

### 3.3.4 Switch Button

CM4 Media has an on-off button. Press the button to turn it on, and long press it to turn it off.

## 3.4 Antenna



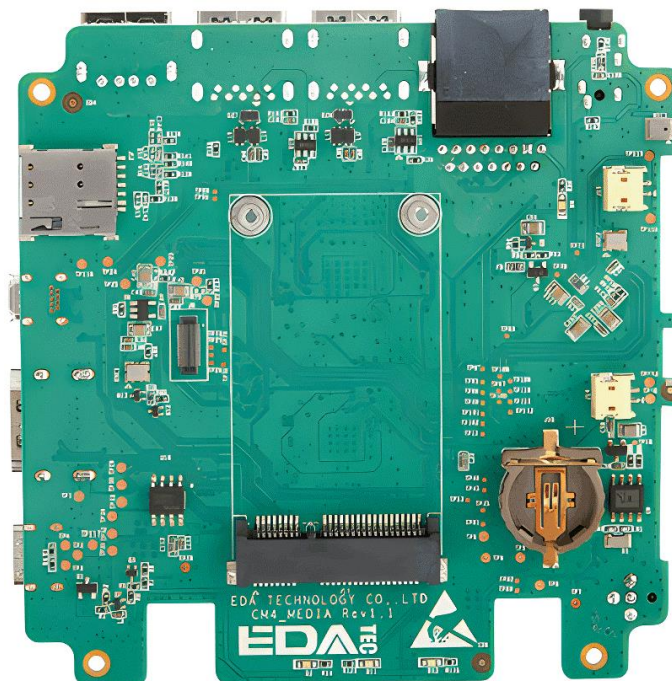
### 3.4.1 WIFI/BT

There is a WIFI antenna interface on the back panel of CM4 Media, which supports 2.4 GHz and 5.0 GHz IEEE 802.11b/G/N/AC dual-band WiFi. We provide a dual-band external antenna, which has passed the wireless authentication together with Raspberry Pi CM4.

### 3.4.2 4G

If CM4 Media with 4G function is selected, the rear panel will have a 4G antenna interface on the left.

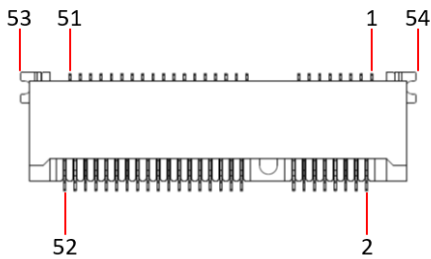
## 4 Internal Interface



### 4.1 Mini PCIe



There is a Mini PCIe expansion interface on CM4 Media, which is used to drive SSD hard disk. If users want to use 4G, it can also be used to drive 4G modules:



Pin	Definition	Pin	Definition
1	GND	28	NC
2	3V3	29	GND
3	B1	30	NC
4	GND	31	PCIE_TXN
5	NC	32	NC
6	NC	33	PCIE_TXP
7	PCIE_CLK_nREQ	34	GND
8	USIM_VDD	35	GND
9	GND	36	USB_DM
10	USIM_DATA	37	GND
11	GND	38	USB_DP
12	USIM_CLK	39	3V3
13	PCIE_CLKP	40	GND
14	USIM_RST	41	3V3
15	GND	42	LED_WWAN
16	NC	43	GND
17	NC	44	NC
18	GND	45	NC
19	NC	46	NC
20	NC	47	NC
21	GND	48	NC
22	GPIO10/PCIE_nRST	49	NC

	<b>23</b>	PCIE_RXN	<b>50</b>	GND
	<b>24</b>	3V3	<b>51</b>	NC
	<b>25</b>	PCIE_RXP	<b>52</b>	3V3
	<b>26</b>	GND	<b>53</b>	GND
	<b>27</b>	GND	<b>54</b>	GND

## 4.2 RTC

CM4 Media is integrated with RTC. For the version sold in China, we will install CR1220 button cell (RTC backup power supply) by default when shipping. In this way, the system can be guaranteed to have an uninterrupted and reliable clock, which is not affected by factors such as equipment power down.

RTC clock chip is mounted on i2c-0 bus, and the device address is 0x51.

# 5 Wireless Communication

## 5.1 WiFi

Customers can purchase CM4 Media with WiFi version, which supports 2.4 GHz and 5.0 GHz IEEE 802.11b/G/N/AC dual-band WiFi.

### 2.4G band

parameter	Feature
frequency range	802.11b/g/n(HT20): 2412-2472MHz 802.11n(HT40): 2422-2462MHz
modulation system	802.11b:DSSS 802.11g/n:OFDM
Frequency Step	5M

### 5G band

parameter	Feature
frequency range	802.11a/n/ac: 5150-5350MHz 5470-5725MHz 5725-5850MHz
modulation system	BPSK

Frequency step	5M
----------------	----

## 5.2 Bluetooth

CM4 media support bluetooth 5.0.

parameter	Feature
frequency range	2402-2480MHz
modulation system	GFSK,DPSK
Frequency step	2M

## 5.3 Antenna

### 5.3.1 WiFi / BT Antenna

Parameter	Feature
Antenna type	External antenna
frequency band	2400-2500MHz, 5150-5850 MHz
antenna gain	2 dBi
impedance	50 OHM

# 6 Electrical Characteristics

## 6.1 Electrical Parameters

Parameters	Minimum	Typical	Max	Unit
System power input		5		V
Working temperature	0	25	60	°C
Storage temperature	0	25	60	°C
Working environment humidity	20		90	%

## 7 FAQ

## 7.1 Username and Password

User name: pi  
password: raspberry

Root user does not have a password, so users need to set their own passwords.

# 8 Product Change Record

# 9 About us

## 9.1 About EDATEC

EDATEC, located in Shanghai, is one of Raspberry Pi's global design partners. Our vision is to provide hardware solutions for Internet of Things, industrial control, automation, green energy and artificial intelligence based on Raspberry Pi technology platform.

We provide standard hardware solutions, customized design and manufacturing services to speed up the development and time to market of electronic products.

## 9.2 Contact us

Mail - [sales@edatec.cn](mailto:sales@edatec.cn) / [support@edatec.cn](mailto:support@edatec.cn)

Phone - +86-18621560183

Website - <https://www.edatec.cn>

Address - Room 301, Building 24, No.1661 Jialuo Highway, Jiading District, Shanghai