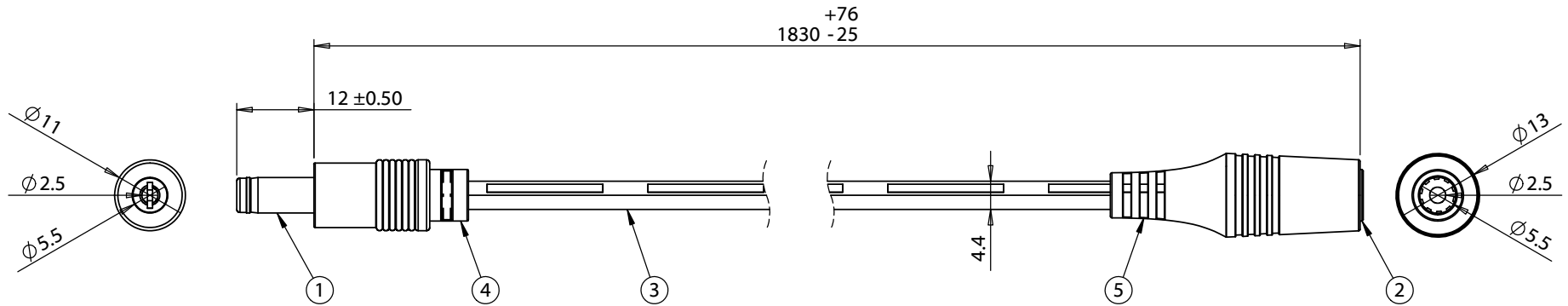


ITEM NO.	PART NUMBER	DESCRIPTION	QTY.	COMPONENT NOTES
1	50-00026	Connector, dc plug, 5.5x2.5xL23 mm, molding style, spring contacts	1	
2	50-00027	Connector, dc jack, 5.5x2.5xL17.4 mm, molding style	1	
3	30-00007	Wire, 2C BC, 18 AWG, UL2468, 300V, 80C, 4.4 mm, VW-1, PVC, 87A	1	
4	24-00016	Overmold, PVC	1	black
5	24-00054	Overmold, PVC	1	black



**Notes:**

Electical requirement: 3 A, 36 Vdc

Hi-Pot test: 600 Vac, 0.5 mA, 1 second

Wiring Diagram		
50-00026	wire color	50-00027
center	black with stripe	center
sleeve	black	sleeve

Revision:	Date:	Description:	Prepared: GL 2016.09.07 11:43:57 -07'00'	Notes:	<h1>TENSILITY</h1> <p>tel 1.541.323.3228 800 877.670.7118 fax 1.541.323.4202 web tensility.com</p>
A	1/19/2009	Re-issue CUI spec as Tensility	Verified: PS <small>Digitally signed by PS Date: 2016.09.07 14:00:55 -07'00'</small>	RoHS compliant	
A1	4/26/2011	Added testing information to notes	Dimensions are in millimeters. Tolerances: X: ± 0.5 mm X.X: ± 0.3 mm X.XX: ± 0.05 mm	Function test: no open, no short circuit, no intermittent	
A2	8/31/2011	Updated description, connector, and wire information		Description:	
A3	9/10/2013	Updated connector		Cable, 1830 mm, 5.5x2.5x12 mm, 50-00026 dc plug to 5.5x2.5 50-00027 dc jack, 18 AWG, 30-00007 wire	
A4	9/26/2013	Updated connectors		Part number: <b>053-0377R (CA-2209)</b>	Scale: 1:1
					Sheet 1 of 1