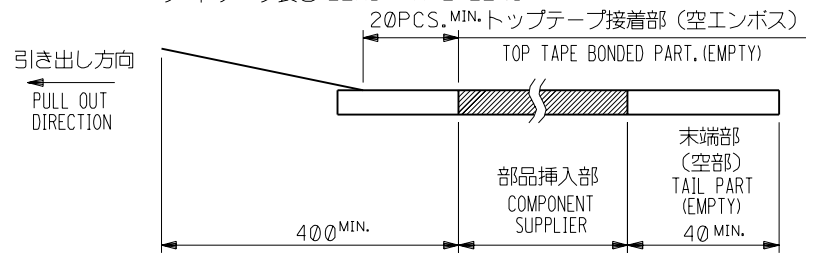
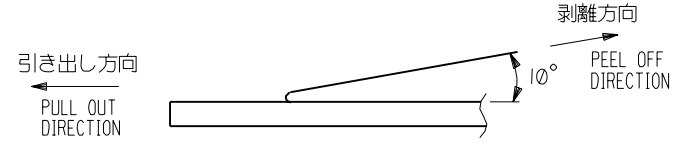


NOTES

- 製品詳細寸法については図面 SD-54722-007 を参照下さい。
RE DETAILED DIMENSION, SEE SD-54722-007
- 梱包数量：2000個/リール
NUMBER OF CONNECTORS : 2000PCS/REEL
- リードテープ長さ LEAD TAPE LENGTH



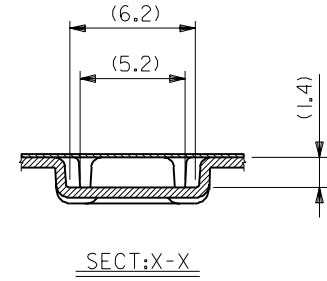
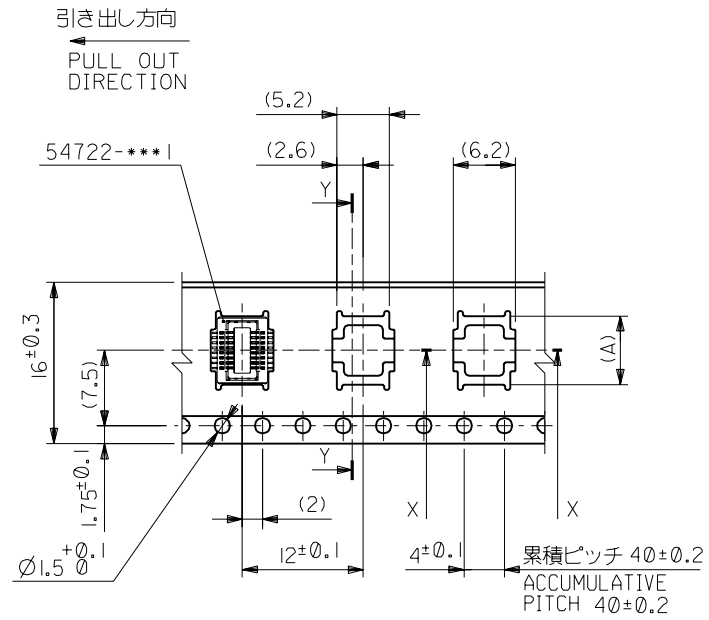
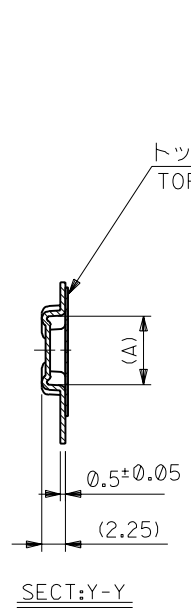
- トップテープの剥離強度：0.1N ~ 0.7N(10.2gf ~ 71.4gf)
(剥離方向は下図参照)
尚、本規格値は出荷時に適用。(但し、輸送時に剥離が発生しないこと。)
PEELING OFF FORCE OF TOP TAPE : 0.1N ~ 0.7N(10.2gf ~ 71.4gf)
(PEELING DIRECTION AS SHOWN IN FOLLOWING FIG.)
THIS REQUIREMENT SHOULD BE APPLIED AT SHIPMENT.
PEEL OFF SHOULD NOT BE ALLOWED , DURING TRANSPORTATION.



- 材料(MATERIAL)
キャリアテープ：ポリプロピレン (PP)
CARRIER TAPE : POLYPROPYLENE (PP)
トップテープ：PET, PE, PEF
TOP TAPE : PET, PE, PEF
リール：ポリスチレン (PS) <リサイクル材を含む>
REEL : POLYSTYRENE (PS) <RECYCLE MATERIAL CONTAINED>

④4NO. DRWN: CH'K: APPR:		④3NO. DRWN: CH'K: APPR:		④2NO. DRWN: CH'K: APPR:		REVISED 01/09/19 ④1NO. J2002-0650 DRWN: R. TAKEUCHI CH'K: T. ITO APPR: T. YAMAGUCHI		PROPOSED ④0NO. JC2001-0402 DRWN: S. AIHARA 00/11/28 CH'K: T. ITO APPR: M. FUKUSHIMA		MATERIAL 材料 注記参照 SEE NOTES		GENERAL TOLERANCES: (UNLESS SPECIFIED) 一般公差		SCALE 1/1		MODEL NO. 54722-***8		DIMENSIONS: <input type="checkbox"/> mm <input type="checkbox"/> INCH <input checked="" type="checkbox"/> mm ONLY		SHT 1 OF 3 REV REVISE ON CAD ONLY	
						A		0		//		10 UNDER 未満 30 UNDER 未満		±0.2 ±0.25		DRAWN BY & DATE S. AIHARA 00/11/28		TITLE: 0.5 B-To-B Conn Rec Assy (Hgt=1.5) Embstp Pkg			
								//		//		30 OVER 以上 ANGLE 角度		±0.3 ±3°		CHECKED BY & DATE T. ITO 01/09/19		MOLEX MOLEX INCORPORATED			
								//		//		APPROVED BY & DATE T. YAMAGUCHI 01/09/19		CAD FILENAME 54722010.S01		MATERIAL NO. SEE CHART		DRAWING NO. SD-54722-010		SHEET NO. 1 OF 3	
								//		//				THIS DRAWING CONTAINS INFORMATION THAT IS PROPRIETARY TO MOLEX INCORPORATED AND SHOULD NOT BE USED WITHOUT WRITTEN PERMISSION.				SIZE B			

DWG. NO. SD-54722-010



16mm幅キャリアテープ
16mm WIDTH CARRIER TAPE

16	17.5	6.8	54722-0168	16
キャリアテープ幅 CARRIER TAPE WIDTH		B	(A)	極数 CIRCUIT
MODEL NO.		54722-***8		DIMENSIONS:

04 NO. DRWN: CH'K: APPR:	03 NO. DRWN: CH'K: APPR:	02 NO. DRWN: CH'K: APPR:	REVISED '01/09/19 01 NO. J2002-0650 DRWN: R.TAKEUCHI CH'K: T.IITO APPR: T.YAMAGUCHI	PROPOSED 03 NO. JC2001-0402 DRWN: S.AIHARA '00/11/28 CH'K: T.IITO APPR: M.FUKUSHIMA
A			0	

MATERIAL 材料	SHEET 1 OF 3 参照 REFER TO SHEET 1 OF 3
FINISH 仕上げ	//
WIRE RANGE 適用線径範囲	//
INS. RANGE 被覆外径	//

GENERAL TOLERANCES: (UNLESS SPECIFIED) 一般公差	SCALE	DESIGN UNITS
10 UNDER 未満	///	mm <input checked="" type="checkbox"/> INCH <input type="checkbox"/>
10 OVER 30 UNDER 未満		PROJECTION
30 OVER 以上		0° <input type="checkbox"/> 45° <input checked="" type="checkbox"/> 90° <input type="checkbox"/>
ANGLE 角度		mm ONLY

DRAWN BY & DATE S.AIHARA '00/11/28	TITLE: 0.5 B-To-B Conn Rec Assy (Hgt=1.5) Embstp Pkg
CHECKED BY & DATE T.IITO '01/09/19	MATERIAL NO. SEE CHART
APPROVED BY & DATE T.YAMAGUCHI '01/09/19	DRAWING NO. SD-54722-010
CAD FILENAME 54722010.S02	SHEET NO. 2 OF 3
THIS DRAWING CONTAINS INFORMATION THAT IS PROPRIETARY TO MOLEX INCORPORATED AND SHOULD NOT BE USED WITHOUT WRITTEN PERMISSION.	
MOLEX MOLEX INCORPORATED	
SIZE B	

DO NOT SCALE DRAWING

DWG. NO. SD-54722-010

F

D

V

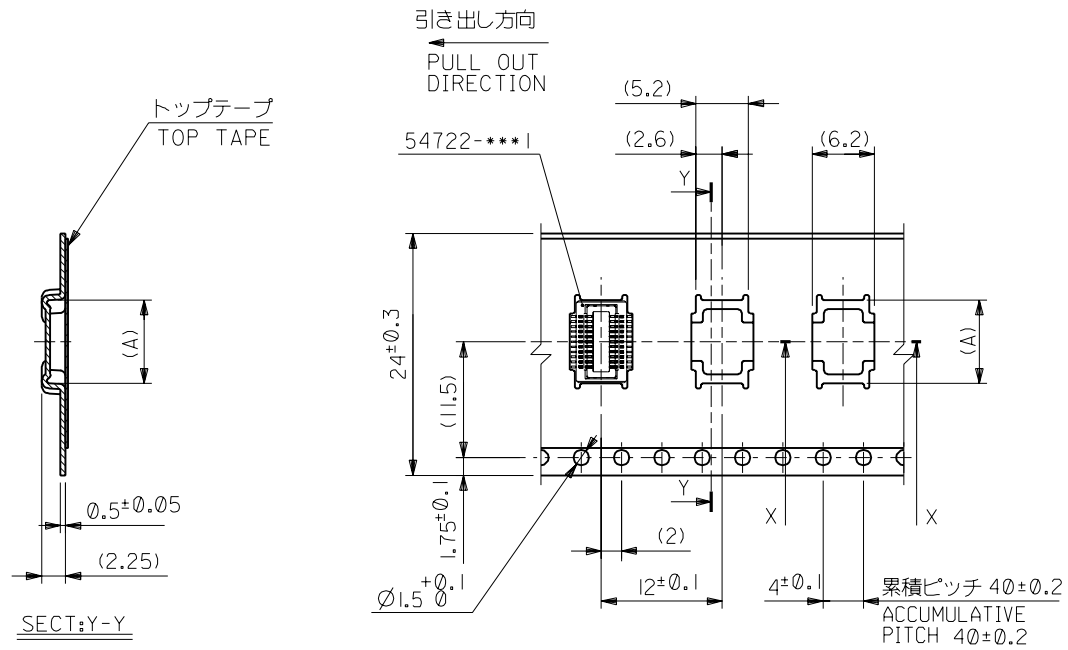
C

B

DO NOT SCALE DRAWING

8 7 6 5 4 3 2 1

F
E
D
C
B
A



24mm幅キャリアテープ
24mm WIDTH CARRIER TAPE

24	25.5	10.3	54722-0308	30
		8.3	54722-0228	22
キャリアテープ幅 CARRIER TAPE WIDTH		B	(A)	MATERIAL NO.
MODEL NO.		54722-***8		極数 CIRCUIT

04 NO. DRWN: CH'K: APPR:	03 NO. DRWN: CH'K: APPR:	02 NO. DRWN: CH'K: APPR:	REVISED: 01/09/19 01 NO. J2002-0650 DRWN: R.TAKEUCHI CH'K: T.IITO APPR: T.YAMAGUCHI	PROPOSED 06 NO. JC2001-0402 DRWN: S.AIHARA 00/11/28 CH'K: T.IITO APPR: M.FUKUSHIMA	MATERIAL 材料 SHEET 1 OF 3 参照 REFER TO SHEET 1 OF 3
			A	0	FINISH 仕上げ //
					WIRE RANGE 適用線幅範囲 //
					INS. RANGE 被覆外径 //

GENERAL TOLERANCES: (UNLESS SPECIFIED) 一般公差		SCALE 1/1	DESIGN UNITS 25.4mm INCH	APPROX ANGLE PROJECTION	DIMENSIONS: mm INCH mm ONLY	SHT 3	REV 0
10 UNDER 未満	±0.2	DRAWN BY & DATE S.AIHARA 00/11/28		TITLE: 0.5 B-To-B Conn Rec Assy (Hgt=1.5) Embstp Pkg			
10 OVER 30 UNDER 未満	±0.25	CHECKED BY & DATE T.IITO 01/09/19		MOLEX MOLEX INCORPORATED			
30 OVER 以上	±0.3	APPROVED BY & DATE T.YAMAGUCHI 01/09/19		MATERIAL NO. DRAWING NO. SHEET NO. SEE CHART SD-54722-010 3 OF 3			
ANGLE 角度	±3°	CAD FILENAME 54722010.S03		THIS DRAWING CONTAINS INFORMATION THAT IS PROPRIETARY TO MOLEX INCORPORATED AND SHOULD NOT BE USED WITHOUT WRITTEN PERMISSION.			

8 7 6 5 4 3 2 1 EN-02J(097) MXJ-54