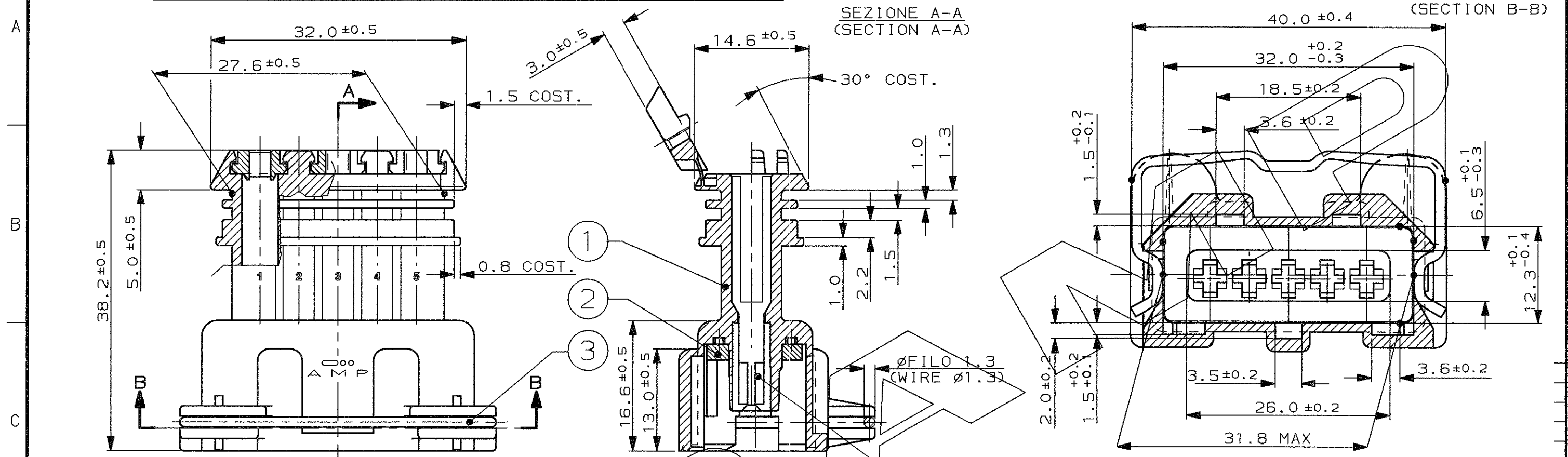


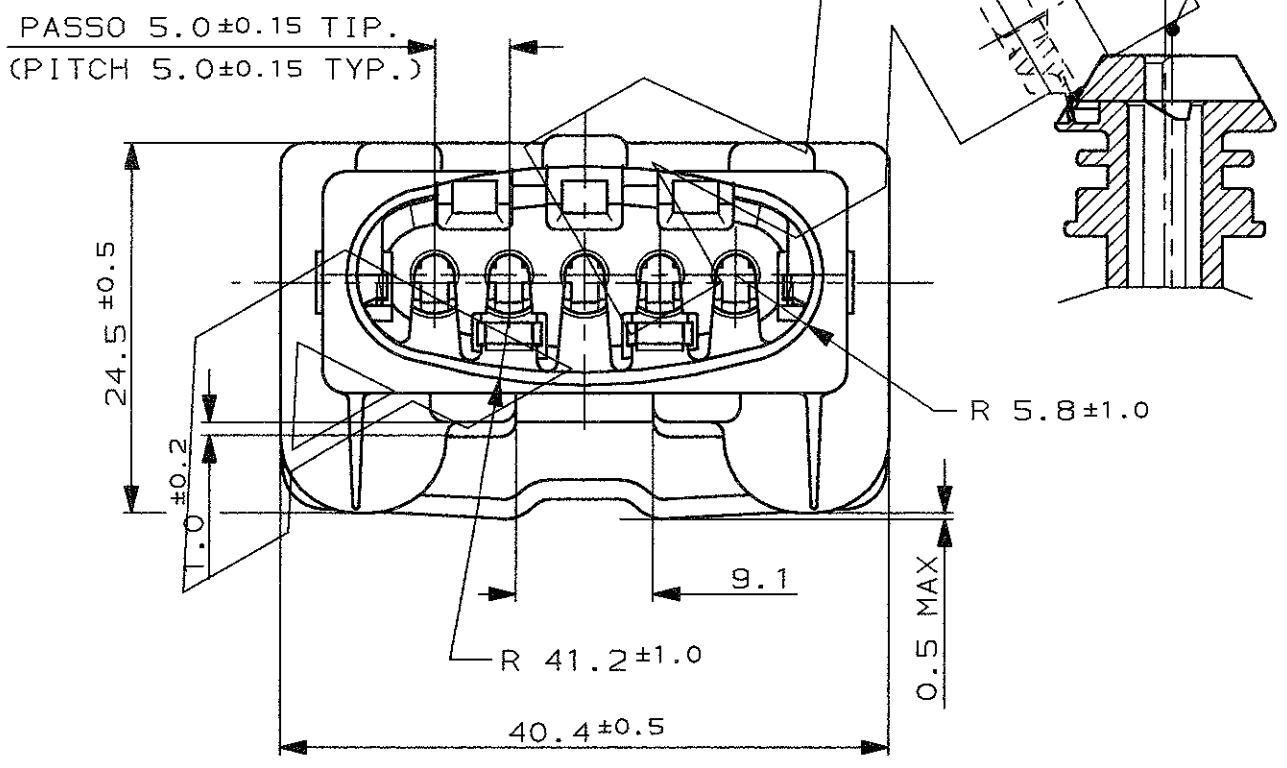
CONNETTORE TIPO A (CON MOLLA DI RITEGNO ESTERNA)
CONNECTOR TYPE A (WITH EXTERNAL SPRING)

SEZIONE B-B (SECTION B-B)



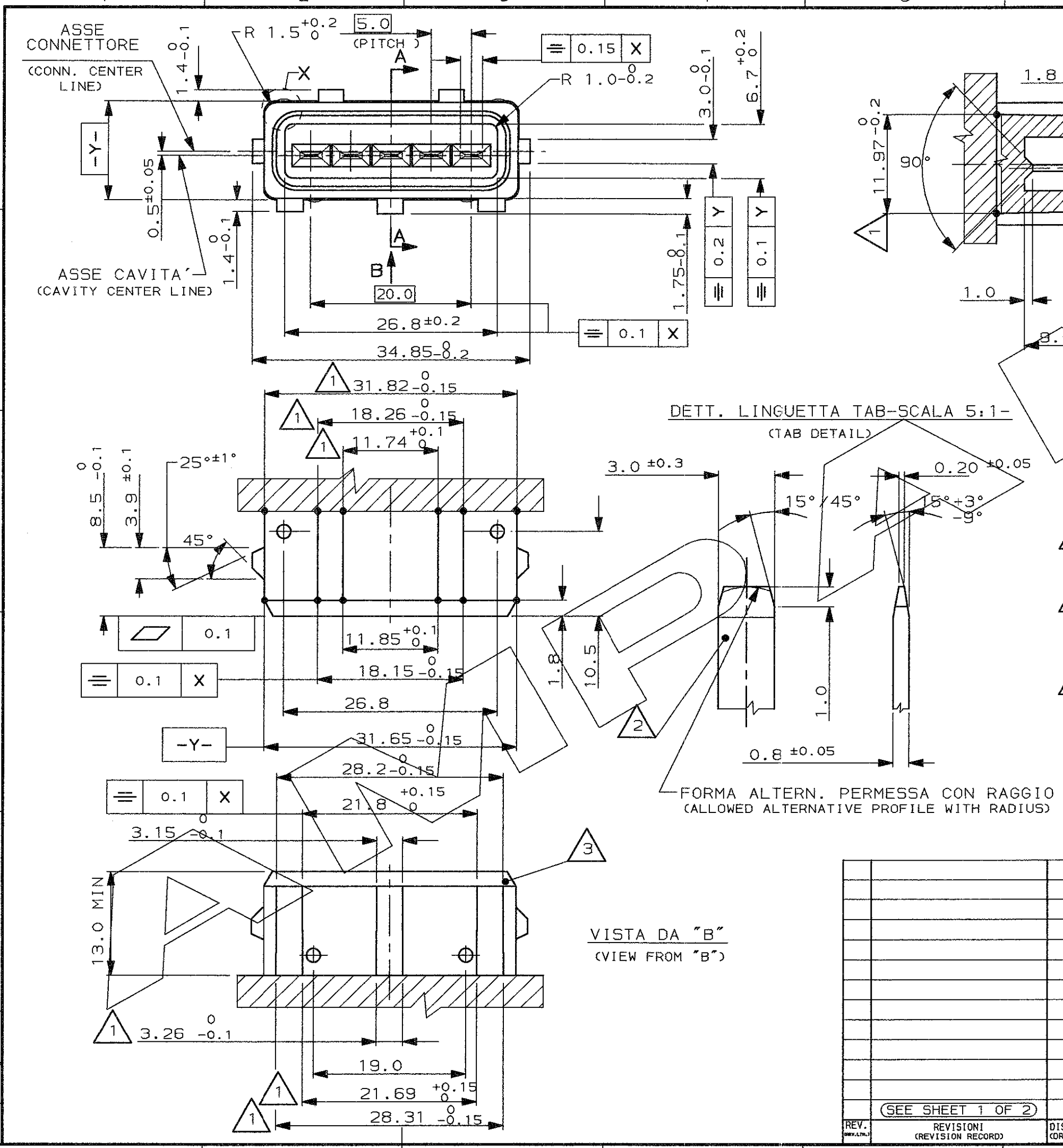
TIP. CAVITA' PER TERMINALI AMP JPT P/N 929939-...
OPPURE 929937-... E RELATIVI GOMMINI
AMP P/N 828904-1, 828905-1, 282536-1.
TAPPO CAVITA' P/N 828906-2
(TYP. CAV. FOR JPT CONT. P/N 929939-... A/O 929937-... AND REL.
SINGLE WIRE SEAL P/N 828904-1, 828905-1, 282536-1
CAVITY PLUG P/N 828906-2)

ASSE CAVITA' (CAVITY CENTER LINE)
ASSE CONNETTORE (CONNECTOR CENTER LINE)



ROSSO (RED)	-----						
GIALLO (YELLOW)	-----						
MARRONE (BROWN)	-----						
BLU (BLUE)	-----		3	//////	ACCIAIO INOX (STAINLESS STEEL)	MOLLA (SPRING)	
VERDE (GREEN)	-----						
NATURALE (NATUR)	-----		2	NATURALE (NATURAL)	GOMMA (RUBBER)	GUARNIZIONE (RUBBER GASKET)	
GRIGIO (GREY)	282193-2						
NERO (BLACK)	282193-1	F	1	//////	PA 6.6 C.VETRO (PA 6.6 G.F.)	BLOCCHETTO (HOUSING)	
COLORE (COLOR)	NUMERO (PART. N°)	REV. (REV.)	N° (ITEM)	FINITURA / COLORE (FINISH / COLOUR)	MATERIALE (MATERIAL)	DESCRIZIONE (DESCRIPTION)	
M	AGGIOR. CON ET00-0125-00 REVISED FOR ET00-0125-00	M.P.					
L	AGGIOR. CON ET00-0221-96 REVISED FOR ET00-0221-96	A.F.	27-5 '96				
H	AGGIOR. CON ET00-0108-95 REVISED FOR ET00-0108-95	M.P.	11-5 '95				
G	AGG. FOGLIO 2 (ADDED SH.2)	R.M.	3-9 '92				
F	IN PRODUZIONE (IN PRODUCTION)	R.M.	13-10 '92				
E	AGGIORNATO (REVISED)	R.M.	26-5 '92	ANGOLI (ANGLES) ± 0.3			
D	AGGIORNATO (REVISED)	R.M.	17-3 '92	± 2°			
C	AGGIORNATO (REVISED)	R.M.	2-3 '92				
B	AGGIORNATO (REVISED)	R.M.	5-9 '91				
A	WAS P/N C-90-51265-70	C.E.	2.91				
REV. (REV.)	REVISIONI (REVISION RECORD)	DIS. (DR)	DATA (DATE)	APP. (APP.)			
				CUSTOMER DWG. FOR REFERENCE ONLY		DISEGNO PER CLIENTE SOLO PER RIFERIMENTO	
				THIS DRAWING IS UNPUBLISHED		RELEASE FOR PUBLICATION 19	
				© COPYRIGHT 19 BY AMP INCORPORATED, HARRISBURG, PA. ALL INTERNATIONAL RIGHT RESERVED. AMP PRODUCTS MAY BE COVERED BY U.S. AND FOREIGN PATENT AND/OR PATENT PENDING			
				TOLLERANZE, SE NON DIVERSAMENTE SPECIFICATO (TOLERANCES, UNLESS OTHERWISE SPECIFIED)		DIAM. ISOLANTE (INS. DIA. RANGE) 1.5-3.0 (REDUCED INS. CABLE)	
						RANGO FILO (WIRE RANGE) 0.5-2.5 mm² ***	
						SCALA (SCALE) ***	
						AMP AMP ITALIA S.p.A. Corso F.lli Cervi, 15 COLLEGNO (TORINO)	
				DIS. NOV. 9 '90 (DR.)		DESCRIZIONE (DESCRIPTION) 5 W. SPLASH PROOF CONN. ASS'Y with SECONDARY LOCK	
				CONT. 13 OCT 92 (CHK) C. TARTARI		LOC. (LOC.) SIZE (SIZE) NUMERO (DWG NO)	
						REV. (REV.) FOGLIO (SHEET) 1 DI (OF) 2	
				I A3		C-282193 M	

DISTRIBUZIONE (PRINT DIST.)



- QUOTE APPLICABILI PER SFORMATURA PEZZO (DRAFT PERMITTED TO FACILITATE REMOVAL OF PART FROM THE MOULD)
- MATERIALE LINGUETTE: LEGA DI RAME STAGNATA, ES. OTTONE STAGNATO. (TAB CONTACT MATERIAL: TIN PLATED COPPER ALLOY. E.G. BRASS TIN PLATED)
- MATERIALE BLOCCHETTO: TERMOPLASTICO CARICATO FIBRA VETRO. (HOUSING MATERIAL: THERMOPLASTIC, GLASS FIBER FILLED)

DISTRIBUZIONE (PRINT DIST.)

REV. (REV.)	REVISIONI (REVISION RECORD)	DIS. DATA (COR) (DATE)
SEE SHEET 1 OF 2		
APP. (APP.)	DATE	

FINITURA / COLORE (FINISH / COLOUR)	MATERIALE (MATERIAL)	NUMERO (PART NUMBER)
CUSTOMER DWG. FOR REFERENCE ONLY		DISEGNO PER CLIENTE SOLO PER RIFERIMENTO
THIS DRAWING IS UNPUBLISHED		RELEASE FOR PUBLICATION 19
© COPYRIGHT 19 BY AMP INCORPORATED, HARRISBURG, PA. ALL INTERNATIONAL RIGHT RESERVED. AMP PRODUCTS MAY BE COVERED BY U.S. AND FOREIGN PATENT AND/OR PATENT PENDING		
TOLLERANZE, SE NON DIVERSAMENTE SPECIFICATO (TOLERANCES, UNLESS OTHERWISE SPECIFIED)	DIAM. ISOLANTE (INS. DIA. RANGE)	RANGO FILO (WIRE RANGE)
± 0.3	SEE SHEET 1 OF 2	SEE SHEET 1 OF 2
ANGOLI (ANGLES)	SCALA (SCALE)	
± 2°	---	
DIS. (DR.)	AMP AMP ITALIA S.p.A. Corso F. LLI Cervi, 15 COLLEGGNO (TORINO)	
CONT. (CHK)	DESCRIZIONE (DESCRIPTION)	
	5 POS. SPLASH PROOF CONN. ASS'Y with SECONDARY LOCK	
LOC. (APP.)	SIZE (DWS NO)	REV. (REV.)
	I A3	---
	NUMERO (DWS NO)	FUOGIO (SHEET)
	C-282193	DI (OF) 2