

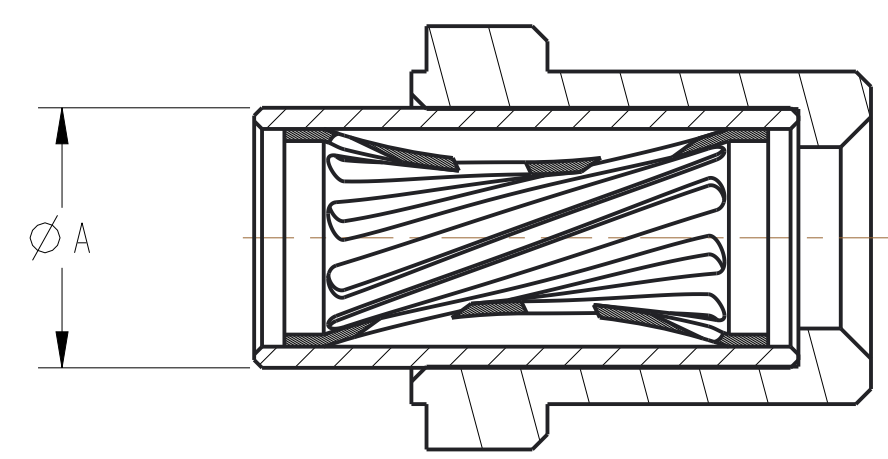
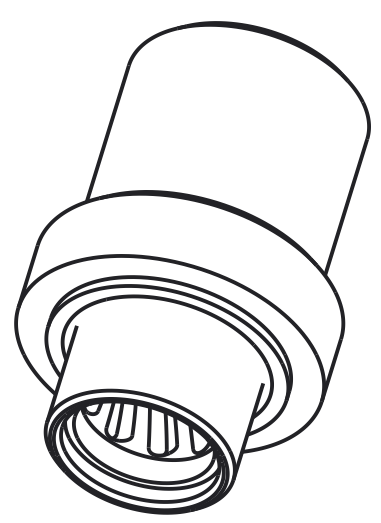
GENERAL TOLERANCE

DIM. RANGE	0.5 ~ 3	> 3 ~ 6	> 6 ~ 30	> 30 ~ 120	> 120 ~ 400
TOLERANCE	±0.1	±0.1	±0.2	±0.3	±0.5

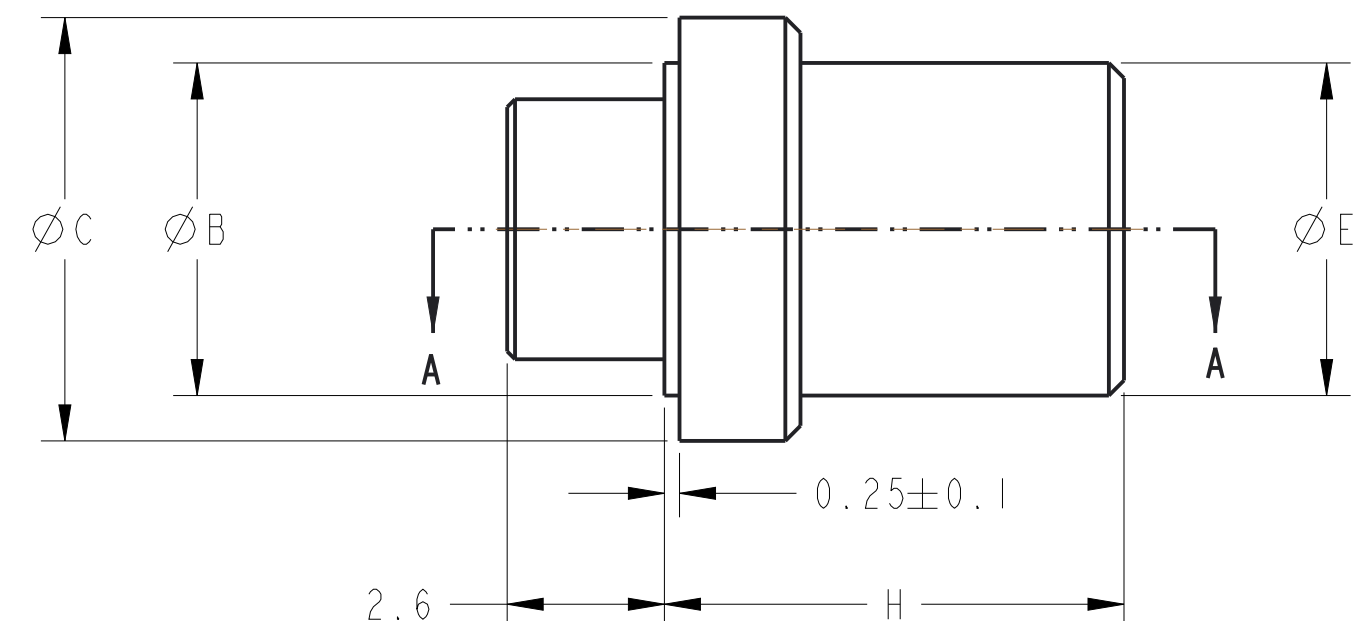
CUSTOMER DRAWING

REVISIONS		
REV	DESCRIPTION	DATE
A	PRELIMINARY VERSION	2015-12-23
B	ADD PCB LAYOUT	2016-04-28
C	OPTIMIZE THE PCB LAYOUT	2016-06-12
D	1.ADD THE NOTE 4; 2.UPDATE ROHS LOGO AND NOTE 1	2017-11-17

PART NUMBER	PCB THICKNESS(mm)	ØA	ØB	ØC	D	E	H	RATED CURRENT	RADSOK SIZE
C10-737490-001	3.0	Ø4.3	Ø5.5	Ø7	2.6	5.5	7.6	35A	ST 2.4MM
C10-737491-001	3.0	Ø4.9	Ø6.5	Ø8	2.6	6.5	9.6	60A	ST 3.0MM
C10-737492-001	3.0	Ø6.4	Ø8	Ø9.5	2.6	8.0	10.8	80A	ST 3.6MM
C10-737493-001	3.0	Ø9.3	Ø11.3	Ø13.0	2.6	11.3	12.8	120A	ST 5.7MM
C10-737494-001	3.0	Ø11.5	Ø13.9	Ø17.0	2.6	13.9	19.6	200A	ST 8.0MM



SECTION A-A



- 4. OPERATION TEMPERATURE: -40°-125°C.
- 3. WHEN CHOOSING A NEW PCB THICKNESS, A NEW PART NUMBER MAY NEED TO BE ASSIGNED. WHICH IS DEPENDENT ON THE REQUIREMENT OF DIM "D" OR DIM "H"
- 2. PCB LAYOUT IS AVAILABLE UPON REQUEST
- 1. THE REFERENCED PRODUCT IS IN COMPLIANCE WITH THE MAXIMUM CONCENTRATION VALUES (MCVS) AS SET BY ROHS 2.0 DIRECTIVE 2011/65/EU AND ANNEX II AMENDMENT DIRECTIVE (EU)2015/863.

NOTES:

THIS DOCUMENT CONTAINS PROPRIETARY INFORMATION AND SUCH INFORMATION MAY NOT BE DISCLOSED TO OTHERS FOR ANY PURPOSE OR USED FOR MANUFACTURING PURPOSES WITHOUT WRITTEN PERMISSION FROM THE AMPHENOL CORP.

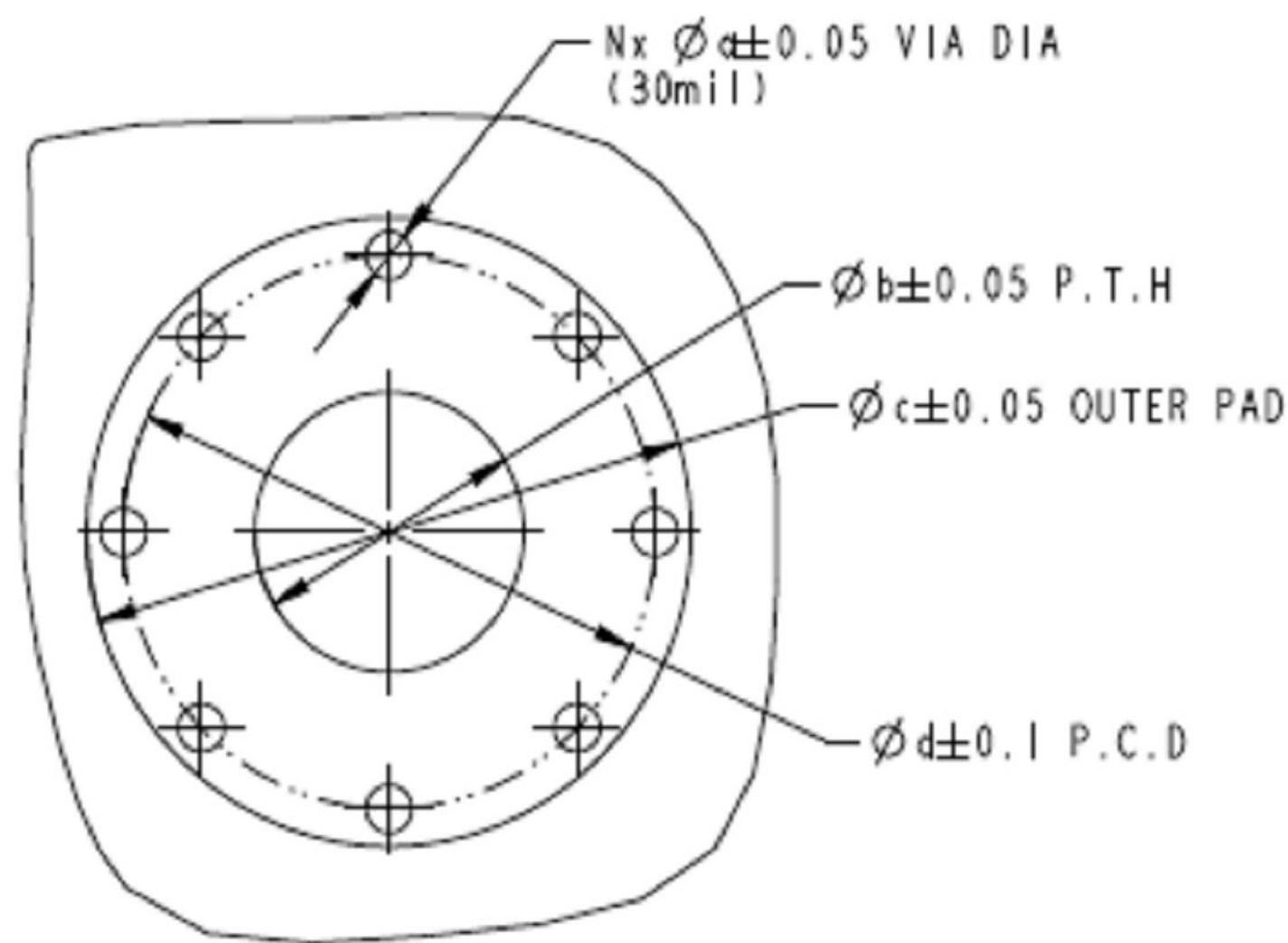
N/A	PRO/ENGINEER INFORMATION
NEXT ASSEMBLY	Pro/e Model Used:
METRIC DOCUMENT	Drawing Name: C10-73749X_CUS.D

UNLESS OTHERWISE SPECIFIED		SPECIFICATIONS		POS	QTY	PART NUMBER	DESCRIPTION	NOTE
LINEAR DIMENSIONS ARE IN: MILLIMETERS		MATERIAL SPEC. COPPER		APPROVALS		PARTS LIST		
TOLERANCES: ANGLES= ±2° DEFAULT LINEAR TOLERANCES SEE TABLE		PROCESS SPEC. SILVER 150u" MIN OVER NICKEL		PREPARED BY	PACEY CHEN	DATE	AMPHENOL INDUSTRIAL OPERATIONS	
DIM. & TOL. PER ASME Y14.5M-1994; DRM PER MIL-DTL-31000; OTHER AMPHENOL STANDARDS: 9-9318		THIRD ANGLE PROJECTION		ENGINEER IN CHARGE	PACEY CHEN	Nov-17-17	Amphenol Technology(Zhuhai)Co.,Ltd No.63, Xingnan Road, Sanzao Town, Jinwan, Zhuhai, PRC	
LEGENDS: =FLAG NOTE CALL OUT REFERENCE ONLY				DESIGN MANAGER	ROB WENG		SMT RADSERT THRU BOARD TYPE	
				DESIGN ACTIVITY GROUP	C&I		SIZE C	CAGE CODE 77820
							DOCUMENT NO. C10-73749()-001	REV. D
							SCALE: 6.0	SHEET 1 OF 2

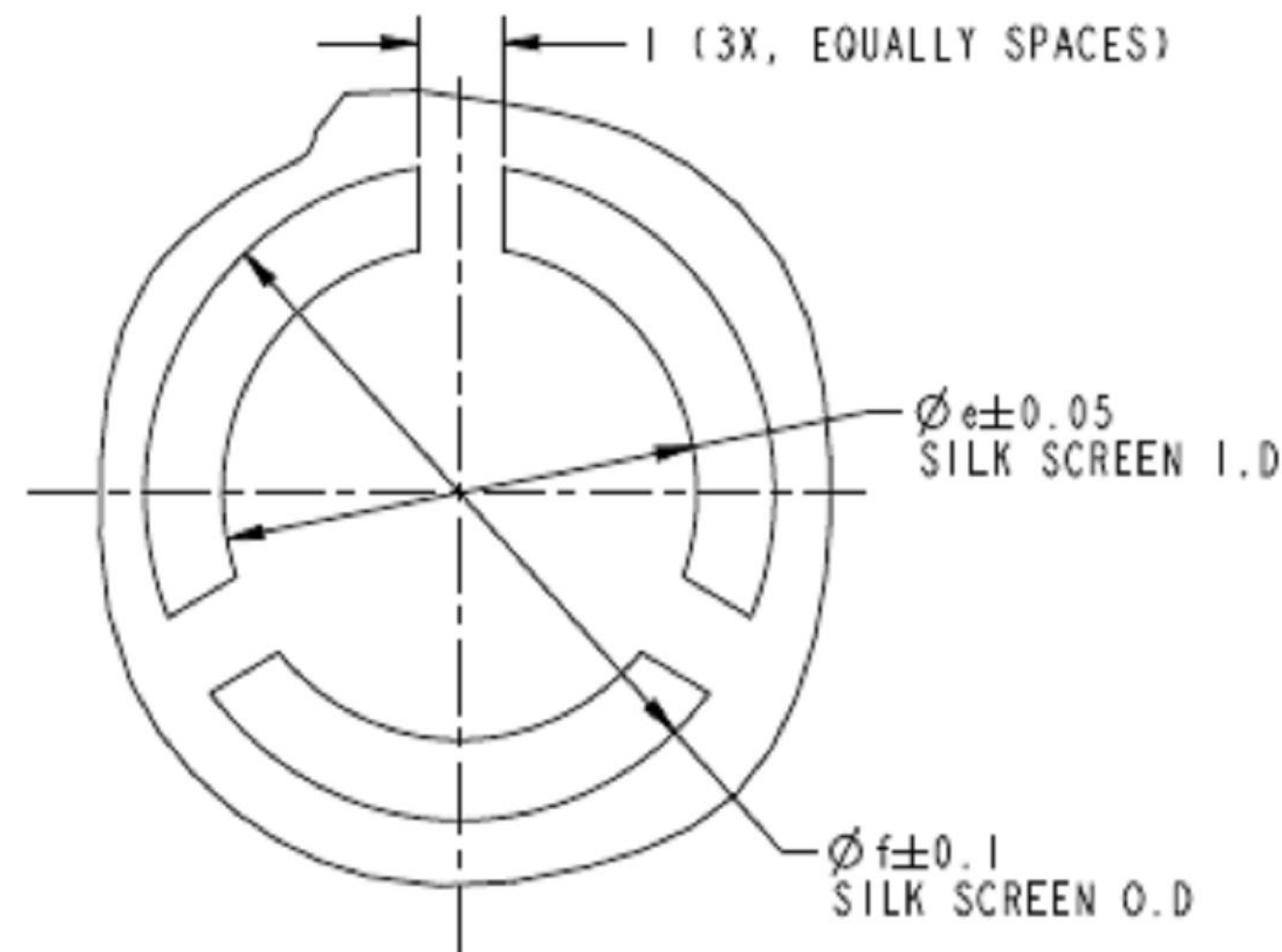
C10-73749()-001
 SHEET 1 OF 2
 REV. D
 C
 B
 A

C
 D
 SHEET 1 OF 2
 C10-73749()-001
 REV. D

Radsert P/N	N (Quantity of Vias)	a (Via dia)	b (P.T.H)	c (Outer Pad)	d (Via P.C.D)	e (Silk sreen I.D)	f (Silk sreen O.D)
C10-737490-001	8	0.76	4.45	11	9.8	5.65	8.5
C10-737491-001	13	0.76	5.05	12	10.8	6.65	9.5
C10-737492-001	15	0.76	6.55	13.5	12.3	8.15	11
C10-737493-001	25	0.76	9.45	17	15.8	11.45	14.5
C10-737494-001	41	0.76	11.65	21	19.8	14.05	18.5



RECOMMENDED PCB LAYOUT
(VIAS ARE EQUALLY SPACES)



RECOMMENDED STENCIL LAYOUT

NOTES:

THIS DOCUMENT CONTAINS PROPRIETARY INFORMATION AND SUCH INFORMATION MAY NOT BE DISCLOSED TO OTHERS FOR ANY PURPOSE OR USED FOR MANUFACTURING PURPOSES WITHOUT WRITTEN PERMISSION FROM THE AMPHENOL CORP.

SIZE C	CAGE CODE 77820	DOCUMENT NO. C10-73749()-001	REV. D
SCALE: 6.0		REF: N/A	SHEET 2 OF 2