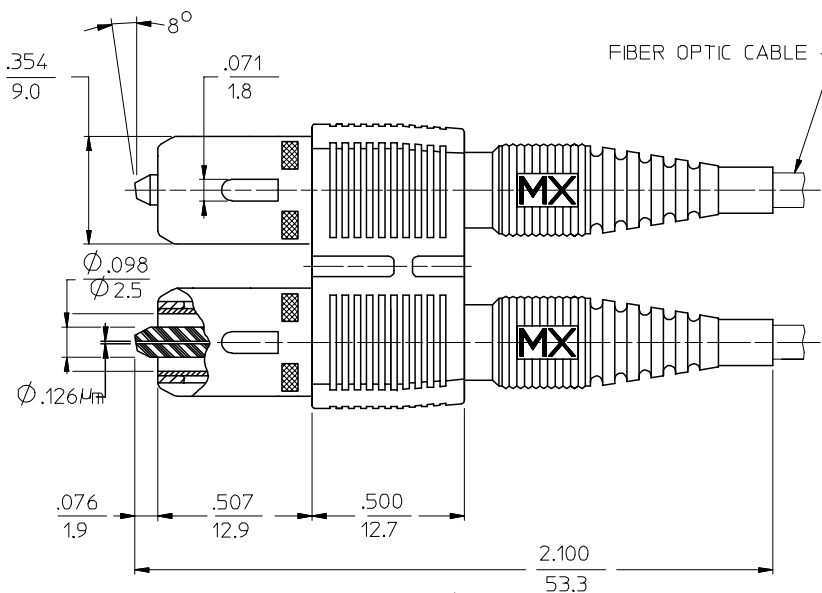
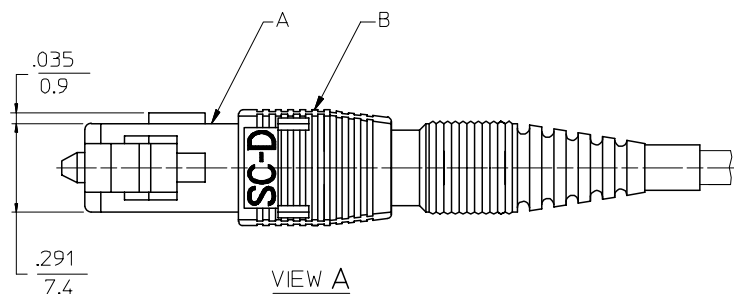
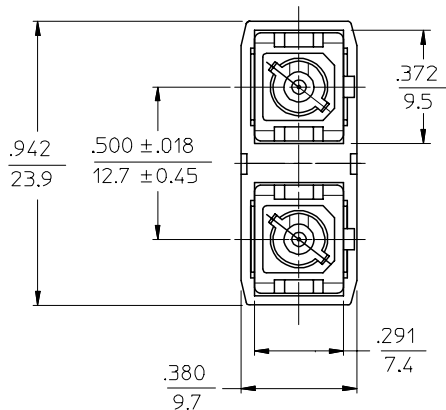


10	9	8	7	6	5	4	3	2	1
CONNECTOR P/N	MATERIAL OF FERRULE	COLOR OF HOUSING A	COLOR OF HOUSING B	COLOR OF BOOT	CONNECTOR TYPE	CABLE OD mm			
106060-5000	ZIRCONIA	GREEN	GREEN	GREEN	SINGLE MODE	3			



NOTES:

1. DUST CAPS ARE NOT SHOWN.

ENTER DESCRIPTION EC NO: MF2006-0177 DRWN:PGIBL IN CHKD: APPR:IGUMIN 2005/12/06 2005/12/06 2005/12/07	QUALITY SYMBOLS ▽=0 ▽=0	GENERAL TOLERANCES (UNLESS SPECIFIED)		DIMENSION STYLE	SCALE	DESIGN UNITS	THIRD ANGLE PROJECTION	
		mm	INCH	IN/MM	2.5:1	INCH		
		4 PLACES	± ---	± ---	DRAWN BY	DATE	TITLE	
		3 PLACES	± ---	± ---	PGIBL IN	2005/09/20	SC-D/APC TYPE CONNECTOR	
2 PLACES	± ---	± ---	CHECKED BY	DATE				
1 PLACE	± ---	± ---	APPROVED BY	DATE				
		ANGULAR ±1/2°						
		DRAFT WHERE APPLICABLE MUST REMAIN WITHIN DIMENSIONS	MATERIAL NO.	DOCUMENT NO.	MOLEX INCORPORATED			
			1060605000	SD-106060-5000				
			SIZE B	THIS DRAWING CONTAINS INFORMATION THAT IS PROPRIETARY TO MOLEX INCORPORATED AND SHOULD NOT BE USED WITHOUT WRITTEN PERMISSION				SHEET NO. 1 OF 01