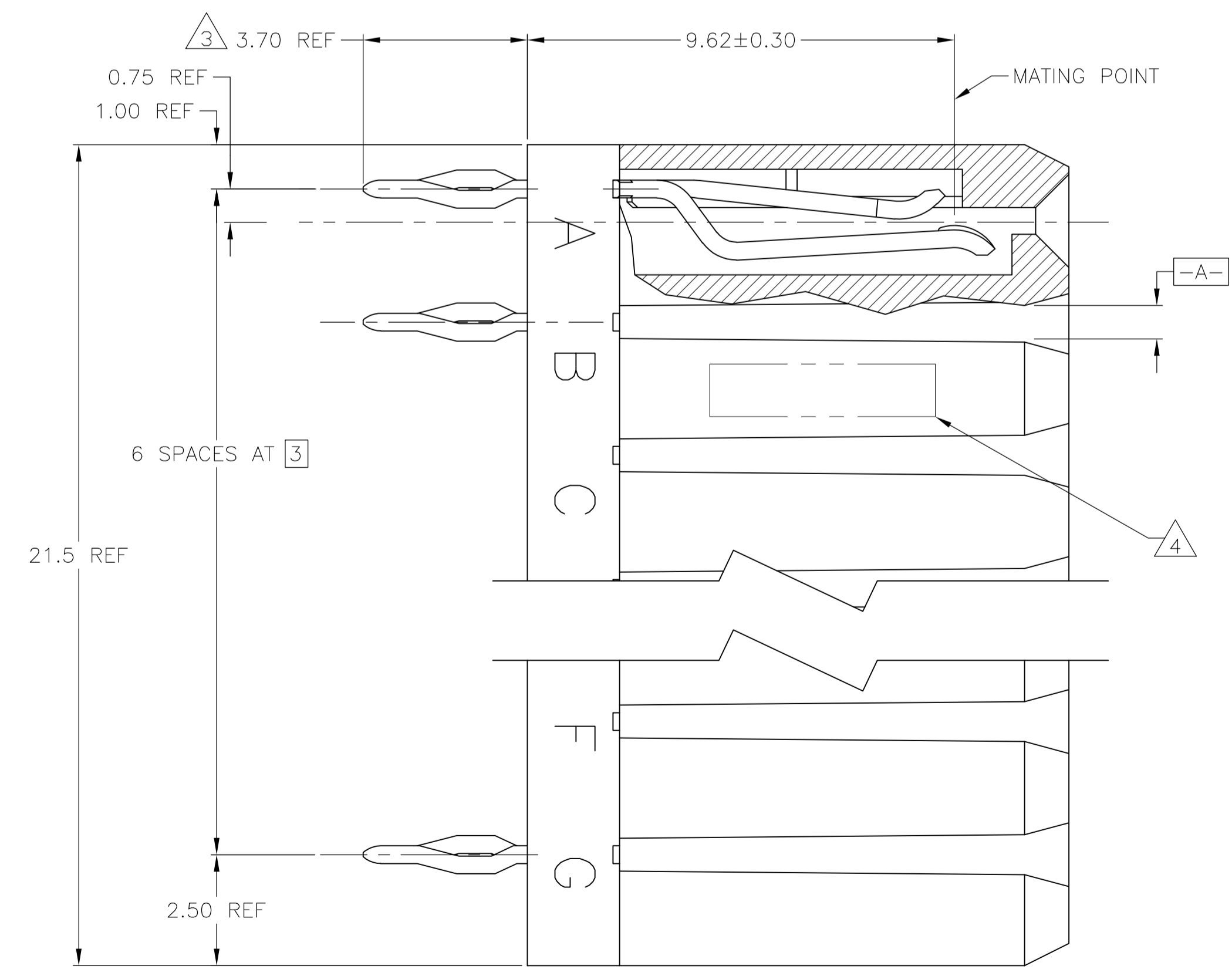
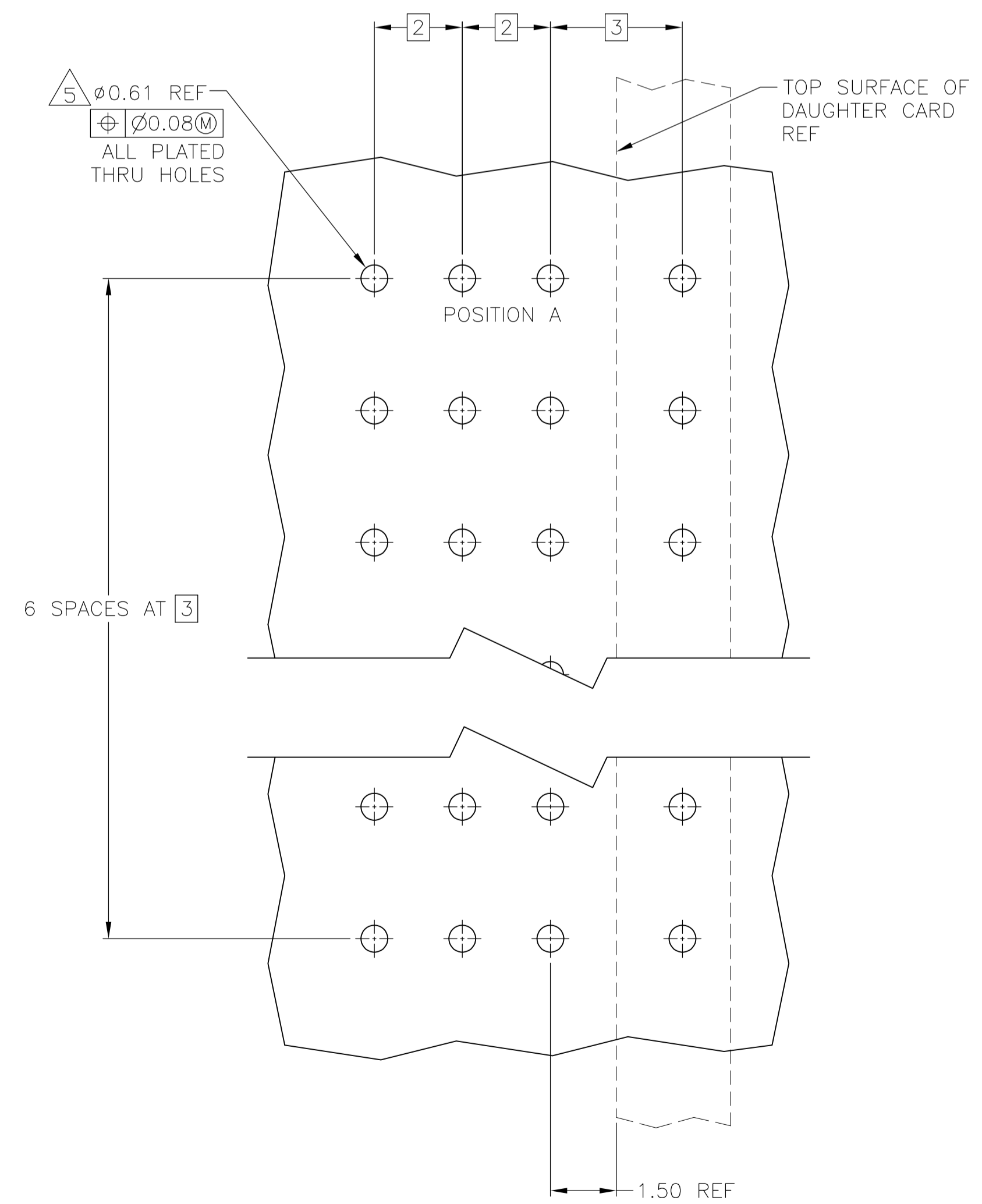
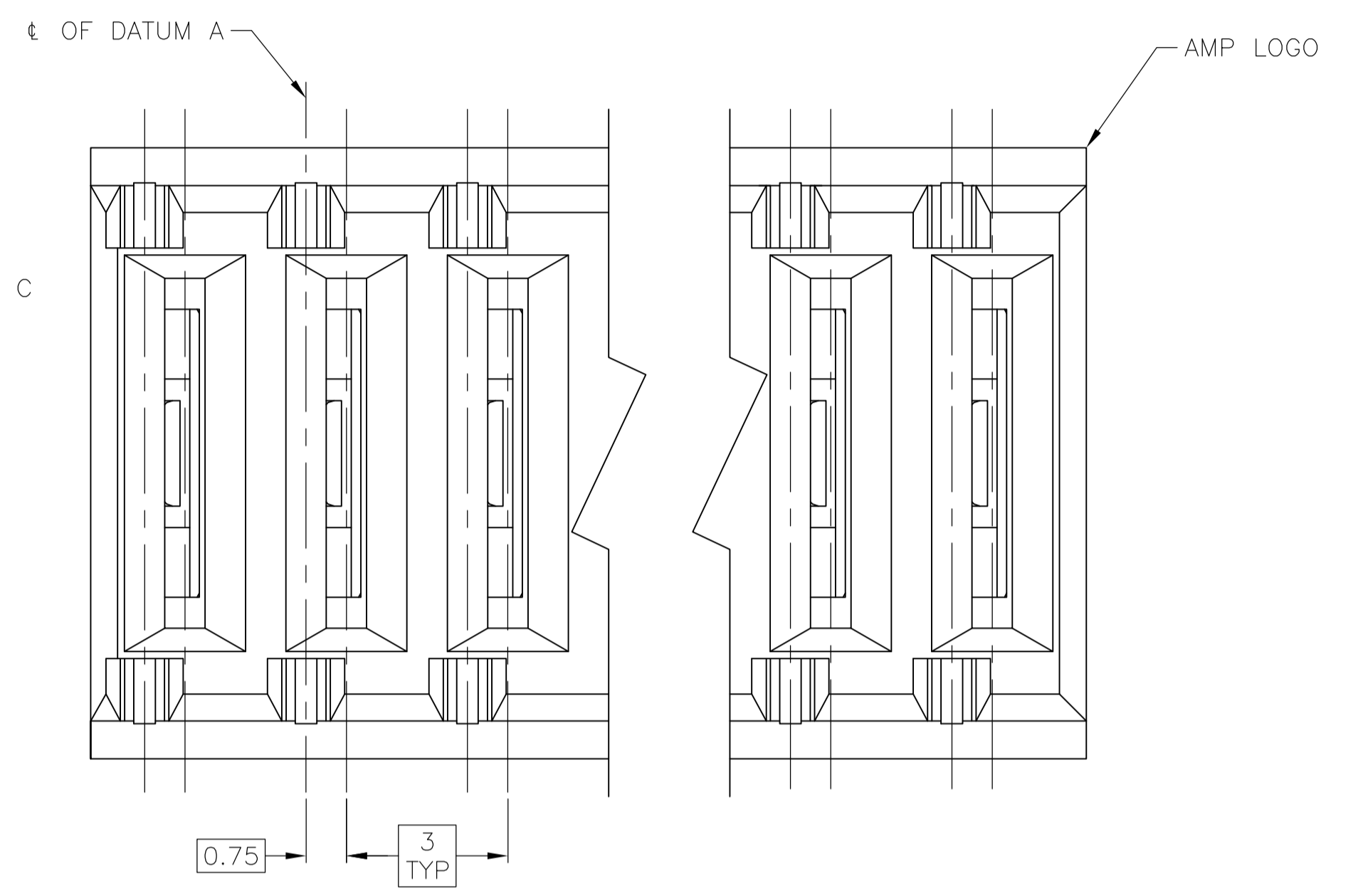
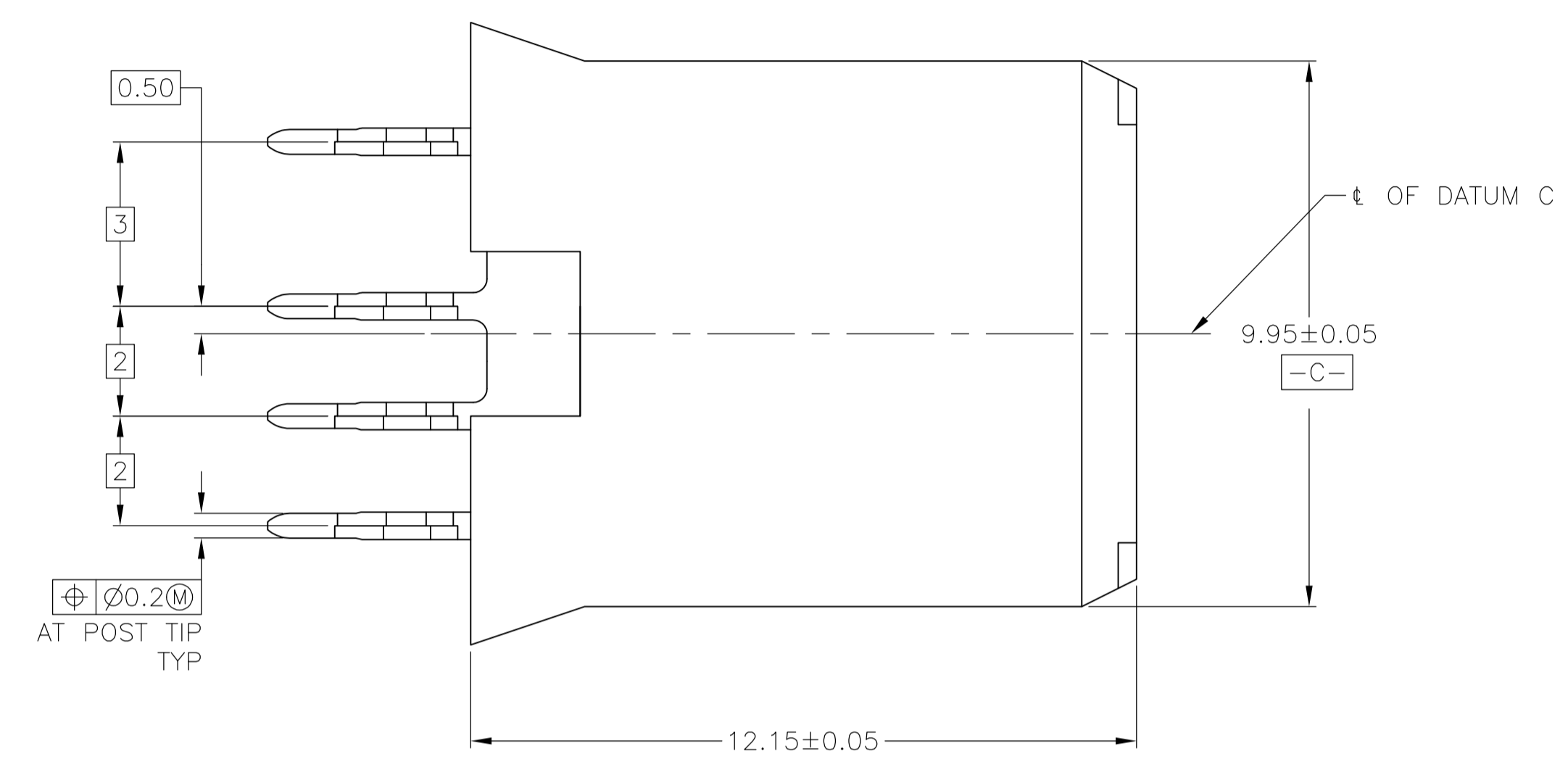
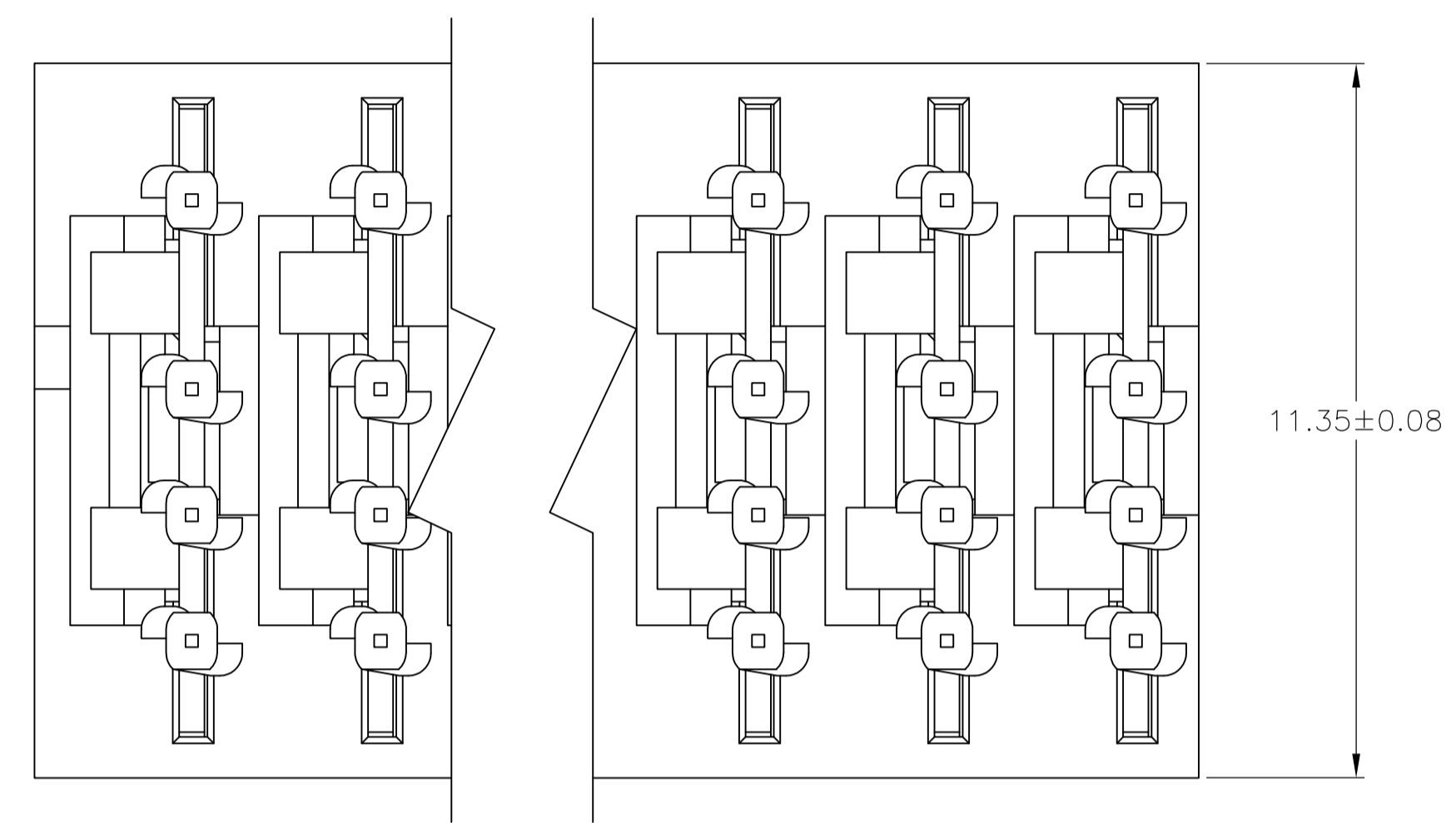


LOC		DIST		REVISIONS			
P	LTR	DESCRIPTION	DATE	DN	APVD		
A		PER RTS 656324.1	04JUN12	KH	AS		

- 1 MATERIAL: HOUSING : POLYESTER, GRAY. UL 94V-0.
CONTACT: HIGH CURRENT COPPER ALLOY.
- 2 FINISH: CONTACT MATING AREA: 1.27µm MIN GOLD OR 0.08µm MIN GOLD
OVER 0.76µm PALLADIUM-NICKEL.
ACTION PIN AREA, 0.5µm MIN MATTE TIN PLATE,
ALL OVER 1.27µm MIN NICKEL UNDERPLATE.
- 3 TOLERANCE TO BE ±0.28 AFTER CONNECTOR IS APPLIED TO PC BOARD.
- 4 DATE CODE THIS APPROXIMATE AREA, OPPOSITE SIDE.
- 5 REFERENCE APPLICATION SPEC 114-1103 FOR RECOMMENDED
PLATED THRU HOLE DIAMETER AND PLATING THICKNESS.
- 6 CURRENT RATING 16A/CONTACT PER PRODUCT SPEC 108-1651.
- 7 FINISH: CONTACT LUBRICATION WITH BELLCORE APPROVED LUBRICANT.
TECHNICAL REFERENCE: GR-1217-CORE ISSUE 1, NOVEMBER 1995.



RECOMMENDED PCB HOLE LAYOUT

A,B,D,E,G		5	1645636-1
POSITIONS LOADED		NO.OF LOADED POSITIONS	PART NUMBER
THIS DRAWING IS A CONTROLLED DOCUMENT.		DWG: KIRAN HOLAL CHK: SHARPE ALEXANDER APVD: SHARPE ALEXANDER NAME: SHARPE ALEXANDER	
DIMENSIONS: mm TOLERANCES UNLESS OTHERWISE SPECIFIED: 0. PLC ± - 1. PLC ± - 2. PLC ± 0.13 3. PLC ± - 4. PLC ± - ANGLES ± -		APPLICATION SPEC SIZE: A1 CAGE CODE: 00779 DRAWING NO: 1645636 RESTRICTED TO: -	
MATERIAL: 1		WEIGHT: - CUSTOMER DRAWING: 10:1 SCALE: 10:1 SHEET: 1 OF 1 REV: A	