

This drawing involves proprietary design rights of Tyco Electronics Corporation, and all design, manufacture, reproduction, use and sale rights regarding the same are expressly reserved. It is submitted for a specific purpose and the recipient by accepting this drawing, assumes custody and control and agrees to take reasonable precautions; (a) that this drawing will not be copied and reproduced, in whole or in part, or its contents revealed in any manner, or to any person except to meet the purpose for which it was delivered and (b) that any special features peculiar to this design will not be incorporated in other projects without the expressed written permission of Tyco Electronics Corporation.

REVISIONS

EC	REV	DESCRIPTION	DATE
10859	A	INITIAL RELEASE	03/05/99
12180	B	CHANGED CONNECTOR FROM MODULAR TO DEDICATED	09/28/00
0S1Q-0234-04	B1	ADDED PART NO. 279-0565-00400. CHANGED DRAWING TO TYCO FORMAT.	06/17/04

8. MODULE INFORMATION

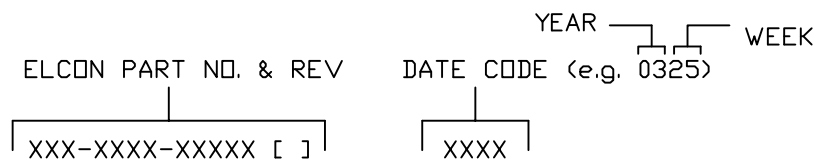
CONNECTOR	TYCO PART #	ELCON PART NUMBER	CATALOG MODULE #		QTY	SIZE NO.	MATING PIN	MAX. CURRENT (PER CONTACT)	CONTACT SPACING	VOLTAGE RATING*	
SOCKET	1646811-1	279-0565-00200B	FP731	POWER	8	8	1.25 X 7.00 [.049 X .276]	35 AMPERES	7.50 [L2953]	250 VOLTS	
				SIGNAL	6	22	.64 [L025] SQ.	3 AMPERES	2.50 [L0984]	125 VOLTS	
				LEFT MOUNTING FLANGE							
				RIGHT MOUNTING FLANGE							
SOCKET	1646811-2	279-0565-00400B	FP731	POWER	8	8	1.25 X 7.00 [.049 X .276]	35 AMPERES	7.50 [L2953]	250 VOLTS	
				SIGNAL	24	22	.64 [L025] SQ.	3 AMPERES	2.50 [L0984]	125 VOLTS	
				LEFT MOUNTING FLANGE							
				RIGHT MOUNTING FLANGE							

*IAW IEC-950

NOTES: UNLESS OTHERWISE SPECIFIED.

- PART NUMBER CHANGES AND OR DESIGN CHANGES AFFECTING ITEM INTERCHANGEABILITY REQUIRE PRIOR ELCON APPROVAL AND AUTHORIZATION BY REVISION TO THIS DRAWING.
- MATERIALS:
 INSULATORS: THERMOPLASTIC, GLASS REINFORCED, COLOR BLACK. UL94V-0 FLAMMABILITY RATED.
 SOLDER SIGNAL PIN: BRASS ALLOY.
 COMPLIANT SIGNAL PIN: PHOSPHOR BRONZE ALLOY.
 POWER CONTACTS: PHOSPHOR BRONZE ALLOY, COPPER ALLOY.
 CROWN BANDS: BERYLLIUM COPPER ALLOY.
- FINISHES:
 CONTACTS: GOLD PLATED PER MIL-G-45204 TYPE II, CLASS 0, .000030" MIN. THK, OVER NICKEL PER QQ-N-290, CLASS 2, .000040" MIN. THK. SOLDER TAILS, TIN/LEAD (90/10) PER ASTM B 545, .000100" MIN. THICK.

- ALL POWER CONTACTS ARE NON HOT PLUG.
- MOUNTING FLANGES ACCEPT M3 OR NO. 4 SCREWS, (USER SUPPLIED).
- ITEMS PROVIDED TO THIS SPECIFICATION TO BE PERMANENTLY IDENTIFIED PER THE FOLLOWING IDENTIFIER:



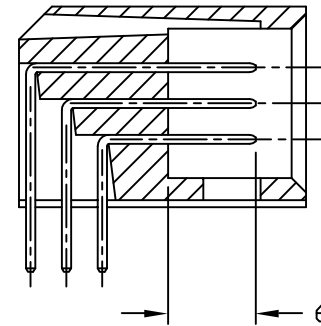
7. THIS CONNECTOR MATES WITH PIN CONNECTOR PN 279-0565-00100/-00300 (CUD 999-595-1).

 THIRD ANGLE PROJECTION UNLESS OTHERWISE SPECIFIED DIMENSIONS ARE IN METRIC [INCHES] TOLERANCES ANGLES ± .5° DECIMALS .XX ± .25 [.010] .X ± .5 [.020]	DRAWN R.F.A.	DATE 03/05/99	 Tyco Electronics Corporation Menlo Park, Ca 94025 	TITLE
	CHECKED			SOCKET CONNECTOR, FLATPAQ RIGHT ANGLE, SOLDER & COMPLIANT TAILS PN: 279-0565-00200B & 279-0565-00400B
	APPROVED		SIZE	DWG NUMBER
	APPROVED D. CHAU	06/17/04	B	C = 1646811
	M. ALIM	07/07/04		REV. B1
	ACAD FILE NUMBER	C1646811B1.DWG		DWG SCALE 1=1 SH 1 OF 4

This drawing involves proprietary design rights of Tyco Electronics Corporation, and all design, manufacture, reproduction, use and sale rights regarding the same are expressly reserved. It is submitted for a specific purpose and the recipient by accepting this drawing, assumes custody and control and agrees to take reasonable precautions; (a) that this drawing will not be copied and reproduced, in whole or in part, or its contents revealed in any manner, or to any person except to meet the purpose for which it was delivered and (b) that any special features peculiar to this design will not be incorporated in other projects without the expressed written permission of Tyco Electronics Corporation.

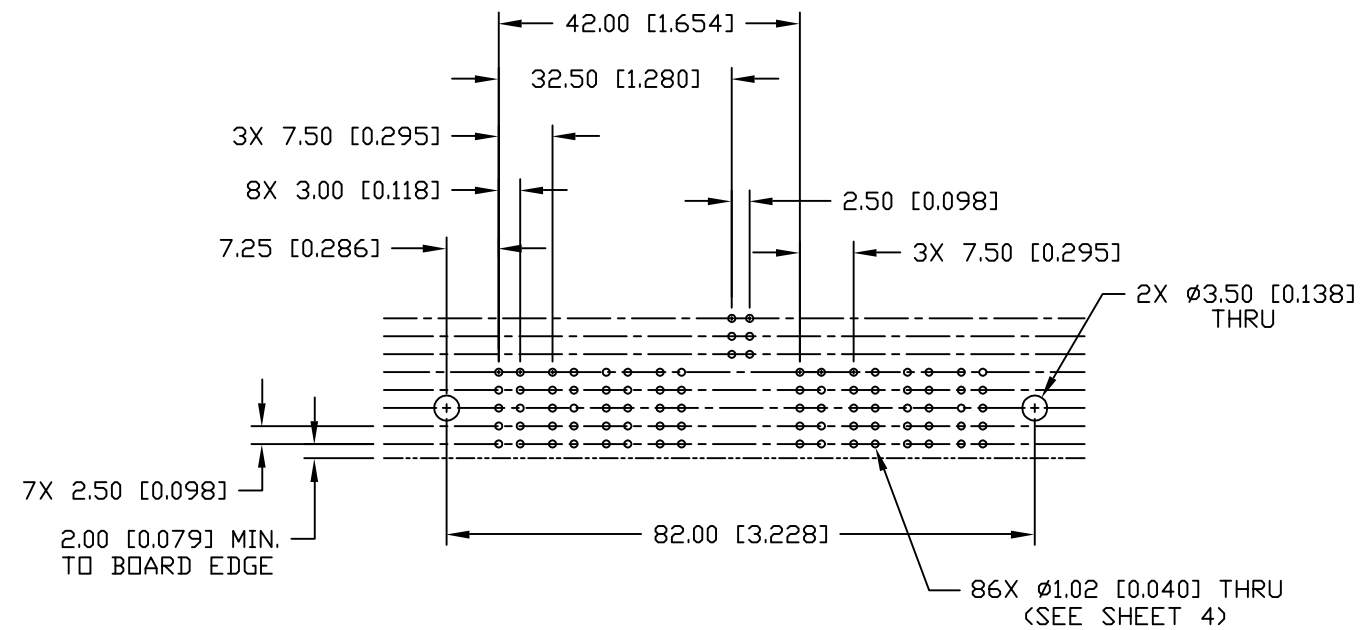
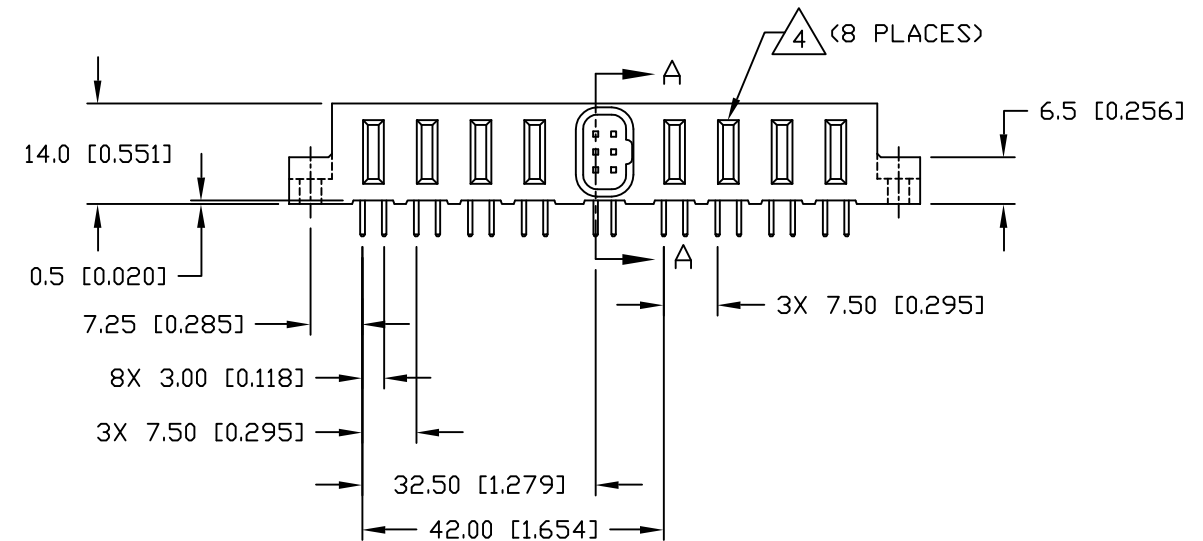
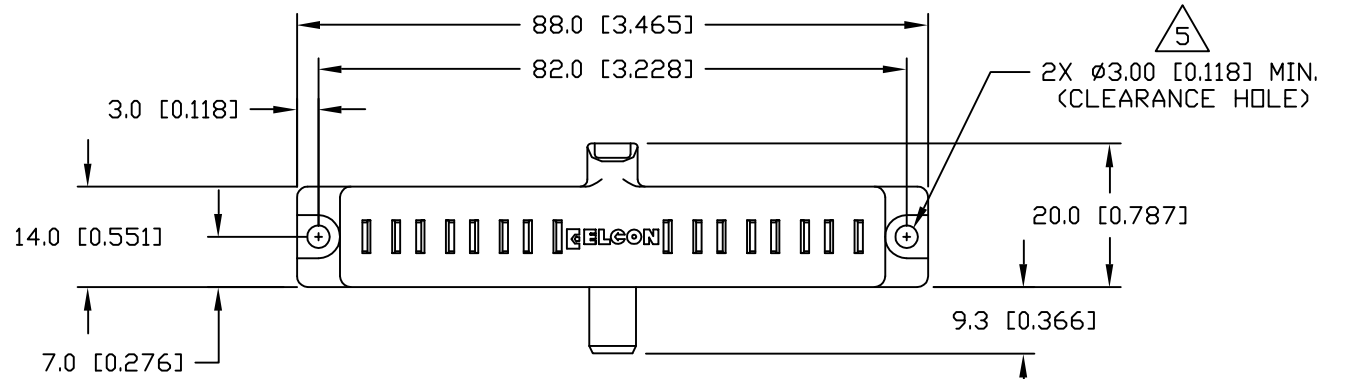
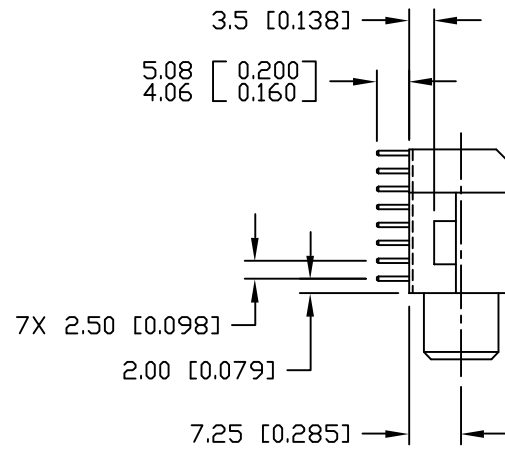
REVISIONS

EC	REV	DESCRIPTION	DATE
		SEE SHEET 1	



SECTION A-A

GENDER CHANGER NOT SHOWN FOR CLARITY



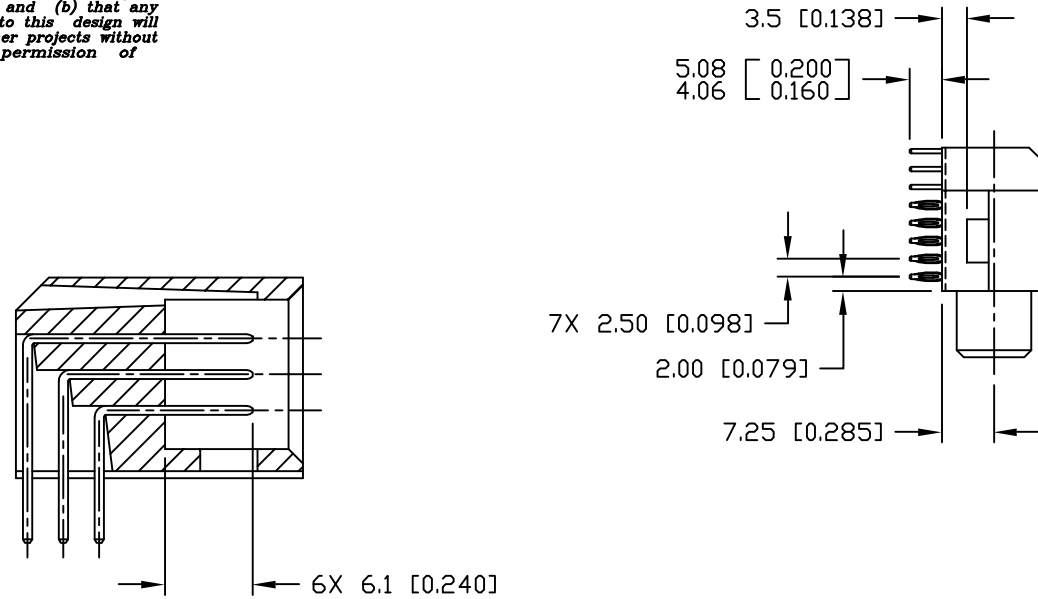
PRINTED CIRCUIT LAYOUT

MM OR MM [INCH] THIRD ANGLE PROJECTION UNLESS OTHERWISE SPECIFIED DIMENSIONS ARE IN METRIC [INCHES] TOLERANCES ANGLES ± .5° DECIMALS .XX ± .25 [.010] .X ± .5 [.020]	DRAWN R.F.A.	DATE 03/05/99	Tyco Electronics Corporation Menlo Park, Ca 94025 	TITLE SOCKET CONNECTOR, FLATPAQ RIGHT ANGLE, SOLDER TAILS PN: 279-0565-00200B	
	CHECKED	APPROVED			SIZE B
	APPROVED D. CHAU	DATE 06/17/04	ACAD FILE NUMBER C1646811B1.DWG	DWG SCALE 1=1	SH 2 OF 4
	APPROVED M. ALIM	DATE 07/07/04			

This drawing involves proprietary design rights of Tyco Electronics Corporation, and all design, manufacture, reproduction, use and sale rights regarding the same are expressly reserved. It is submitted for a specific purpose and the recipient by accepting this drawing, assumes custody and control and agrees to take reasonable precautions; (a) that this drawing will not be copied and reproduced, in whole or in part, or its contents revealed in any manner, or to any person except to meet the purpose for which it was delivered and (b) that any special features peculiar to this design will not be incorporated in other projects without the expressed written permission of Tyco Electronics Corporation.

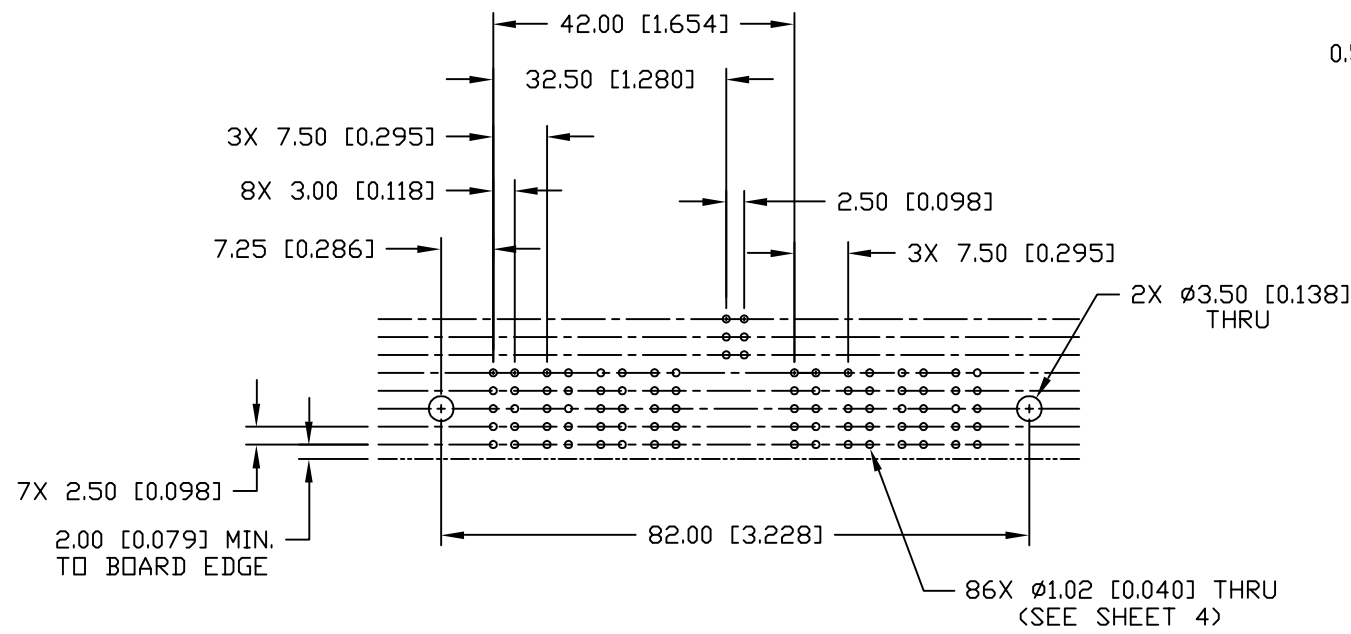
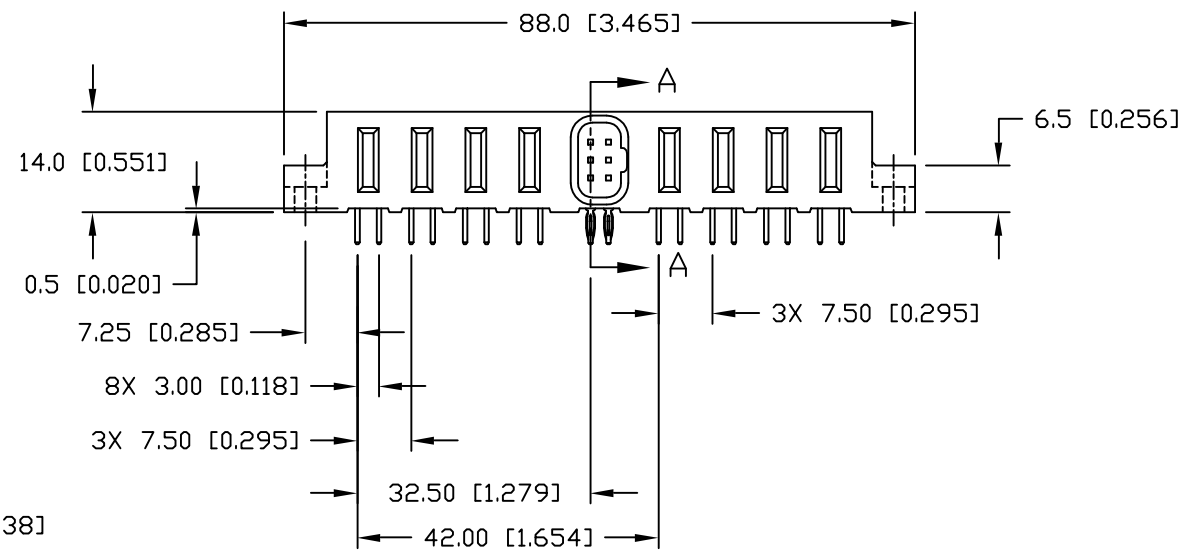
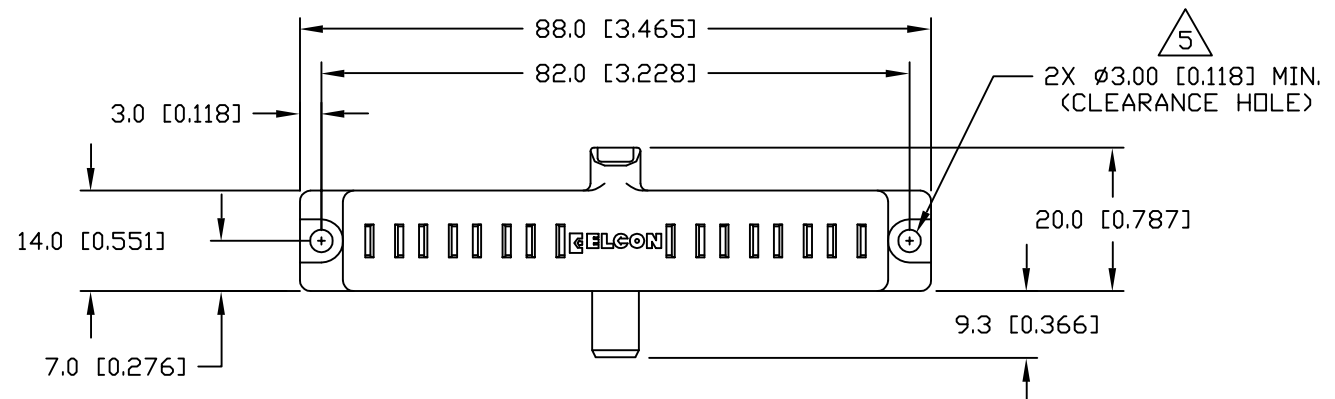
REVISIONS

EC	REV	DESCRIPTION	DATE
		SEE SHEET 1	



SECTION A-A

GENDER CHANGER NOT SHOWN FOR CLARITY

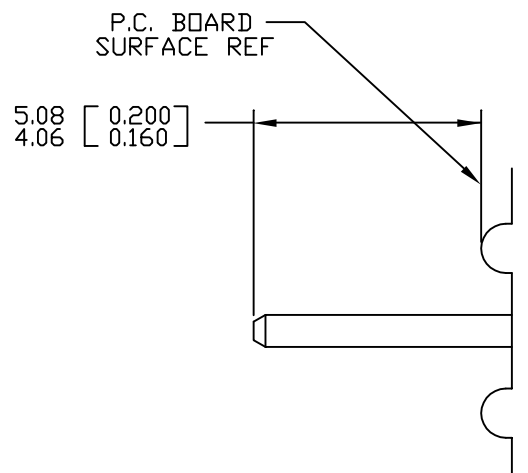


PRINTED CIRCUIT LAYOUT

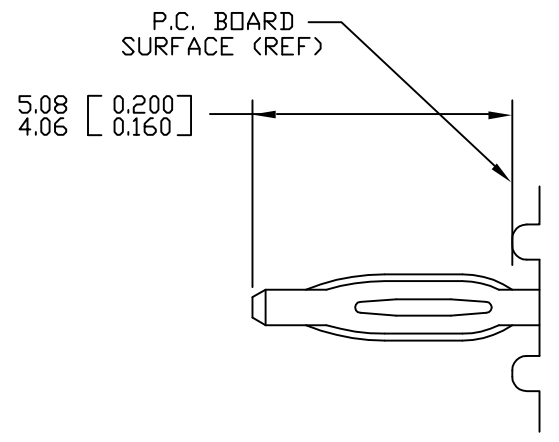
UNLESS OTHERWISE SPECIFIED DIMENSIONS ARE IN METRIC [INCHES] TOLERANCES ANGLES ± .5° DECIMALS .XX ± .25 [.010] .X ± .5 [.020]	DRAWN R.F.A. CHECKED	DATE 03/05/99	tyco Tyco Electronics Corporation Electronics Menlo Park, Ca 94025 ELCON	TITLE SOCKET CONNECTOR, FLATPAQ RIGHT ANGLE, COMPLIANT TAILS PN: 279-0565-00400B	
	APPROVED APPROVED D. CHAU DCA APPROVED M. ALIM	DATE 06/17/04 07/07/04			SIZE B
	ACAD FILE NUMBER C1646811B1.DWG	DWG SCALE 1=1	SH 3 OF 4		

This drawing involves proprietary design rights of Tyco Electronics Corporation, and all design, manufacture, reproduction, use and sale rights regarding the same are expressly reserved. It is submitted for a specific purpose and the recipient by accepting this drawing, assumes custody and control and agrees to take reasonable precautions; (a) that this drawing will not be copied and reproduced, in whole or in part, or its contents revealed in any manner, or to any person except to meet the purpose for which it was delivered and (b) that any special features peculiar to this design will not be incorporated in other projects without the expressed written permission of Tyco Electronics Corporation.

REVISIONS			
EC	REV	DESCRIPTION	DATE
		SEE SHEET 1	

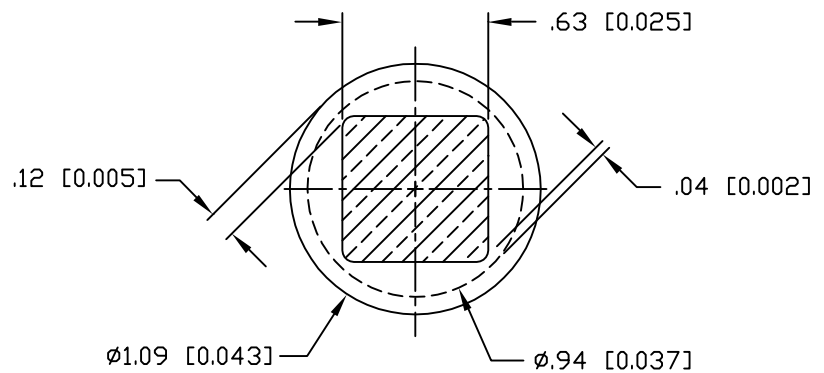


SOLDER PIN DETAIL



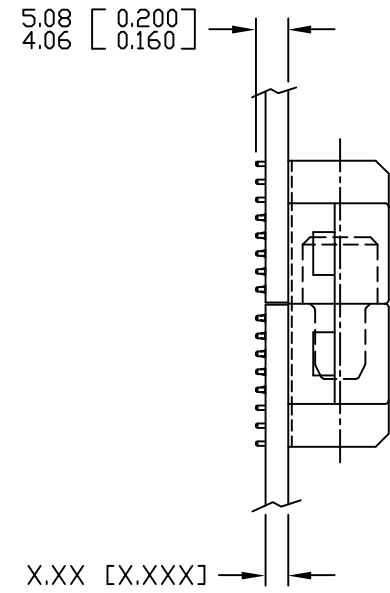
COMPLIANT PIN DETAIL
INSERTION/EXTRACTION FORCES

MAXIMUM PUSH-IN: 133.3N PER PIN [30 LBS]
MINIMUM PUSH-OUT: 44.4N PER PIN [10 LBS]

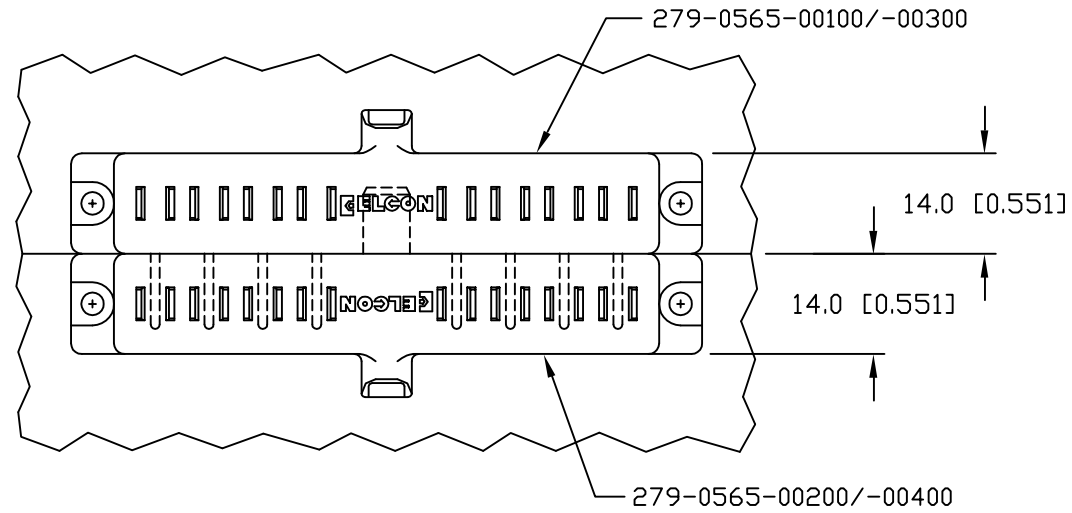


SOLDER TERMINATION AREA

RECOMMENDED PRINTED CIRCUIT HOLE
FINISHED HOLE: $\phi 1.02 [0.040] \pm 0.08 [0.003]$
DRILLED HOLE: $\phi 1.15 [0.0453] \pm 0.013 [0.0005]$
COPPER PLATE: .025 [0.0010] MINIMUM (PER SURFACE)
TIN PLATE: .008 [0.0003] MINIMUM (PER SURFACE)



MATED CONDITION



← MM OR MM [INCH] INCH THIRD ANGLE PROJECTION UNLESS OTHERWISE SPECIFIED DIMENSIONS ARE IN METRIC [INCHES] TOLERANCES ANGLES ± .5° DECIMALS .XX ± .25 [.010] .X ± .5 [.020]	DRAWN	DATE	tyco Tyco Electronics Corporation Electronics Menlo Park, Ca 94025 ELCON	
	R.F.A.	03/05/99		
	CHECKED		TITLE	
	APPROVED		USER INFORMATION SOLDER & COMPLIANT TAIL TERMINATION AND MATED CONDITION	
APPROVED		SIZE	DWG NUMBER	REV.
D. CHAU	06/17/04	B	C = 1646811	B1
DCA APPROVED				
M. ALIM	07/07/04			
ACAD FILE NUMBER	C1646811B1.DWG			
		DWG SCALE	1 = 1	SH 4 OF 4